

[54] **COMBINED CONTROL HANDLE AND ESCUTCHEON FOR SHOWERS OR THE LIKE**

[75] Inventor: **Kenneth A. Ogilvie**, Naunton, United Kingdom

[73] Assignee: **Walker Crossweller & Company Limited**, England

[**] Term: **14 Years**

[21] Appl. No.: **721,924**

[22] Filed: **Apr. 11, 1985**

[30] **Foreign Application Priority Data**

Dec. 4, 1986 [GB] United Kingdom 1023713

[52] U.S. Cl. **D23/31**

[58] Field of Search D23/19-32, D23/38, 39; 16/110, 121

[56] **References Cited**

U.S. PATENT DOCUMENTS

- D. 50,631 4/1917 Reid, Jr. D23/39
- D. 86,452 3/1932 Grandahl D23/39
- D. 152,809 2/1949 MacCauley D23/21
- D. 180,254 5/1957 Tiller D23/38
- D. 193,756 10/1962 Parker D23/31
- D. 194,229 12/1962 Landell et al. D23/31

- D. 203,795 2/1966 Harvey et al. D23/31
- D. 209,805 1/1968 Barker D23/38
- D. 213,779 4/1969 DuBois D23/31
- D. 241,440 9/1976 Doman D23/31
- D. 263,989 4/1982 Fleischmann et al. D23/31

OTHER PUBLICATIONS

- Domestic Engineering, Feb. 1961, p. 31.
- Domestic Engineering, Jan. 1964, p. 119, top left item.
- Domestic Engineering, Dec. 1964, p. 89, top left item.
- Domestic Engineering, Nov. 1967, p. 29, top left item.

Primary Examiner—James R. Largen
Attorney, Agent, or Firm—Larson and Taylor

[57] **CLAIM**

The ornamental design for a combined control handle and escutcheon for showers or the like, as shown.

DESCRIPTION

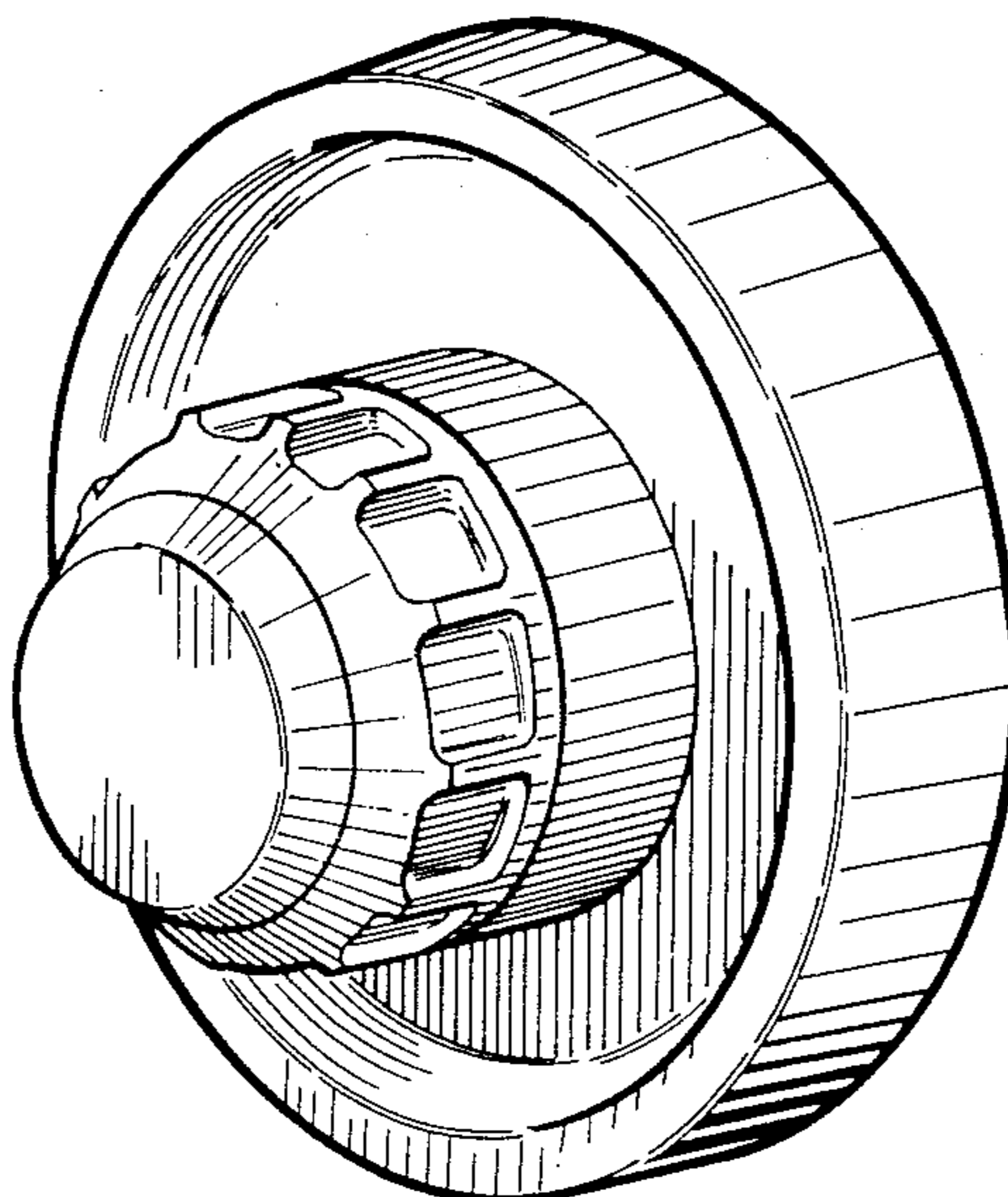
FIG. 1 is a front elevational view of a combined control handle and escutcheon for showers or the like showing my new design;

FIG. 2 is a top plan view thereof;

FIG. 3 is a rear elevational view thereof;

FIG. 4 is a perspective view taken from the top, front and right side thereof; and

FIG. 5 is a perspective view taken from the top, rear and left side thereof.



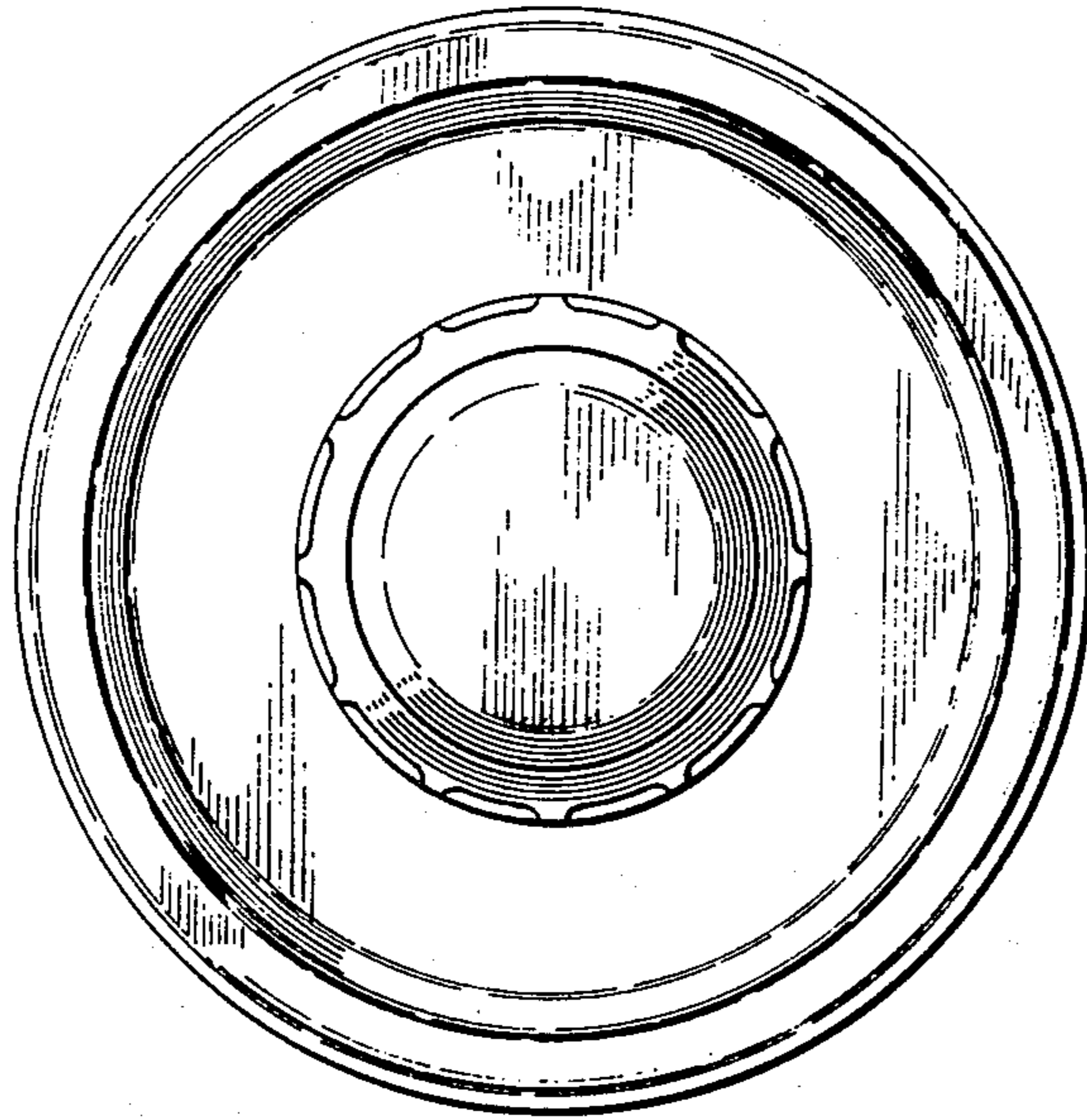


FIG. 1

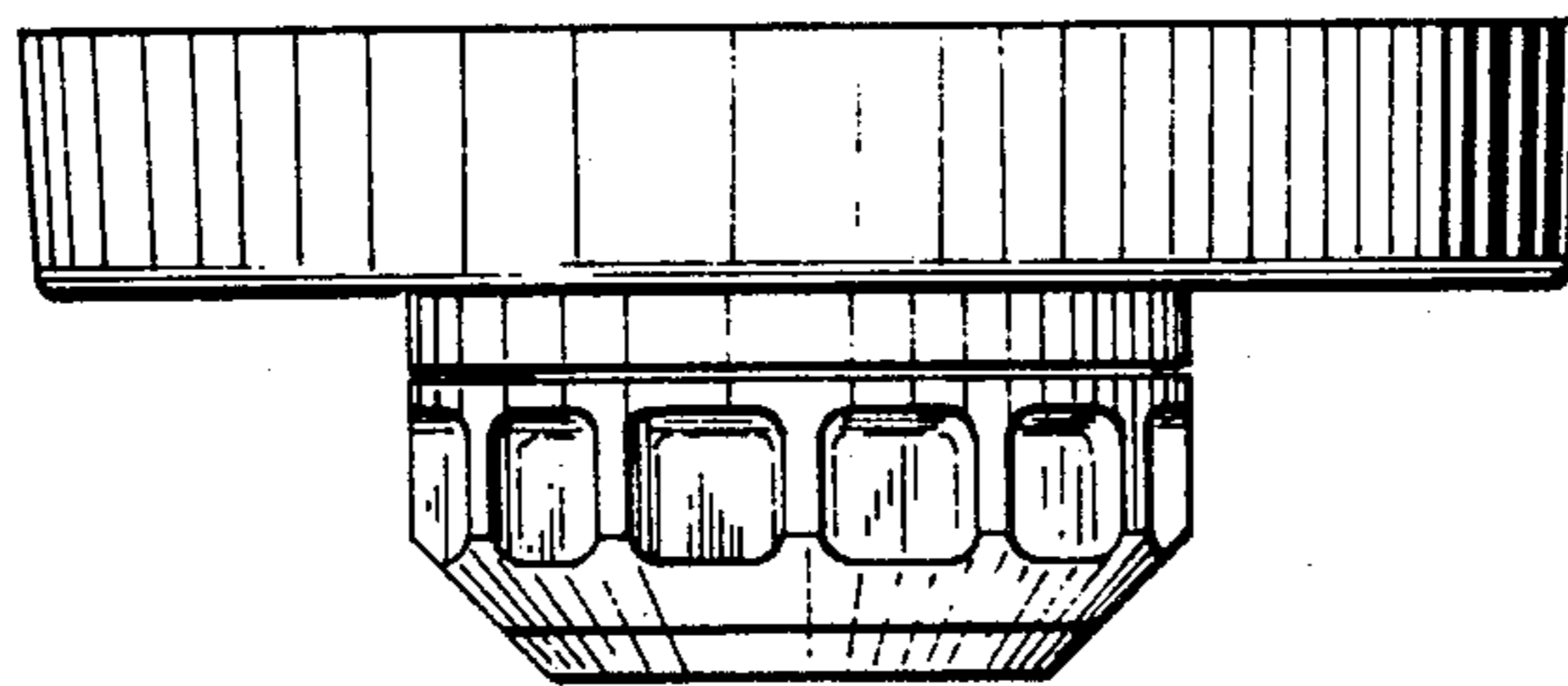


FIG. 2

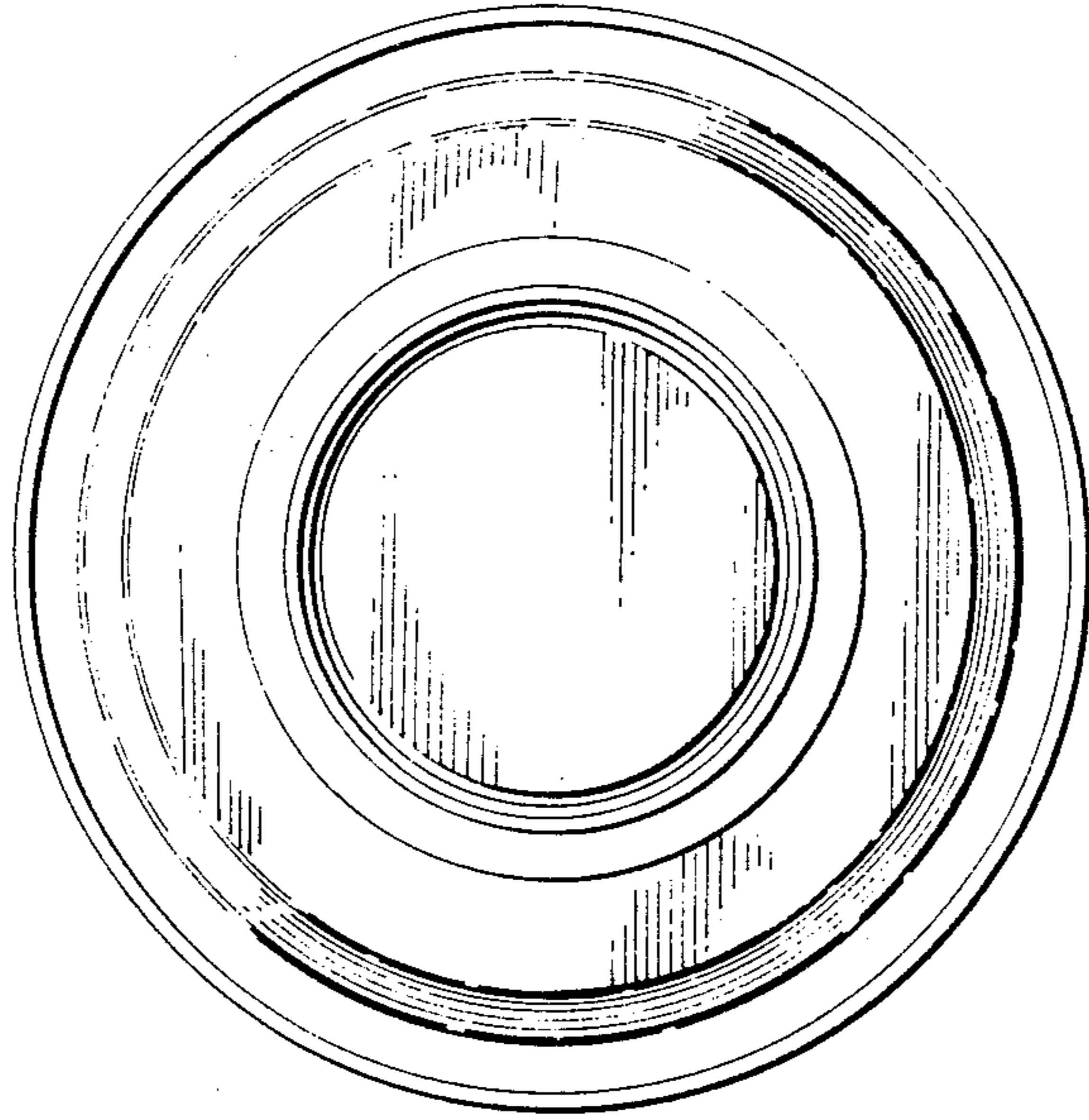


FIG. 3

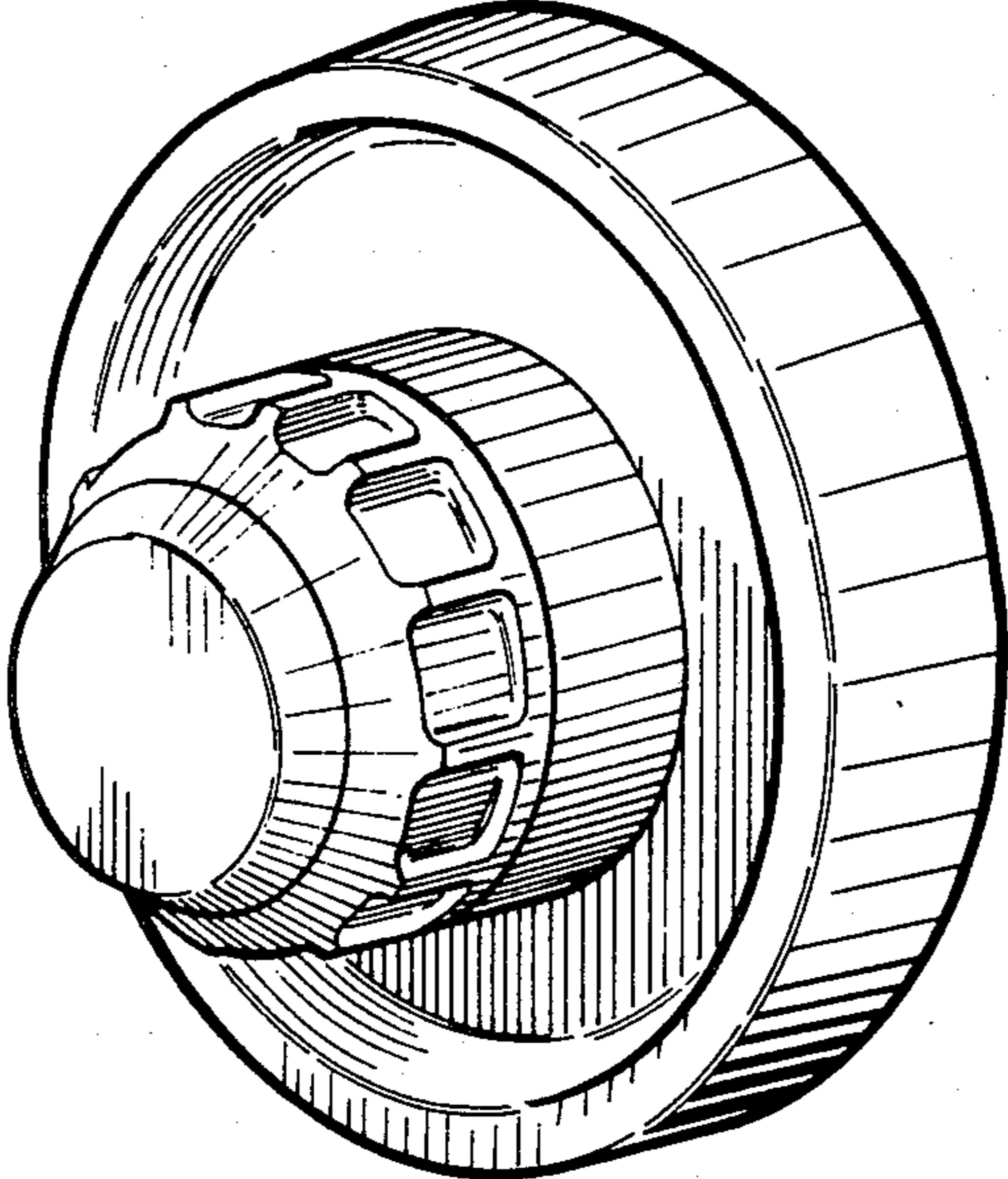


FIG. 4

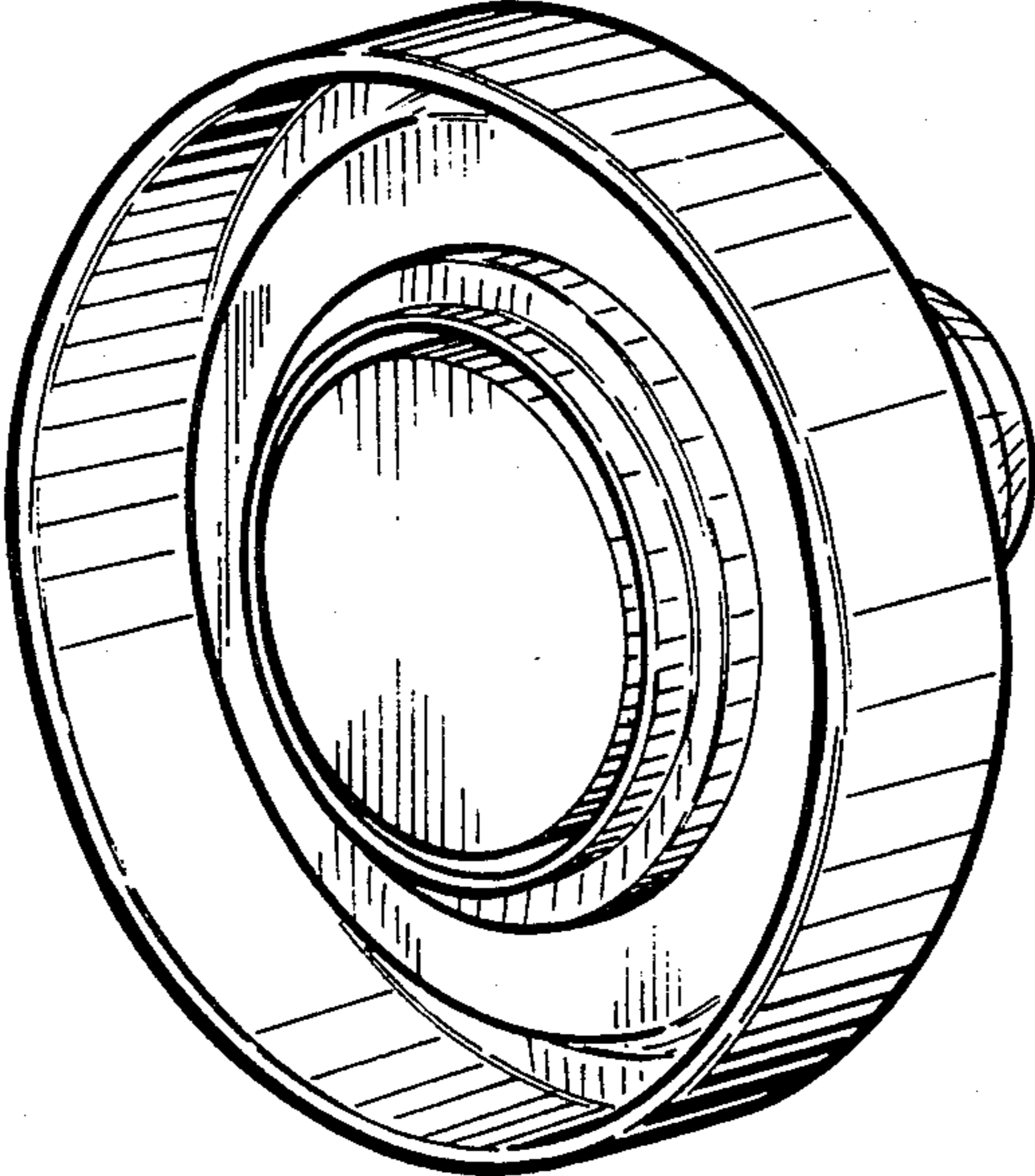


FIG. 5