

[54] LEVER HANDLE FOR PLUMBING FIXTURE

[75] Inventor: Holly K. Yost, Van Nuys, Calif.

[73] Assignee: Price Pfister, Inc., Pacoima, Calif.

[**] Term: 14 Years

[21] Appl. No.: 587,620

[22] Filed: Mar. 8, 1984

[52] U.S. Cl. D23/28; D8/308

[58] Field of Search D23/23, 25, 26, 28; D8/307, 308, 310, 312; 137/606, 607, 801; 251/155; 4/191, 192

[56] References Cited

U.S. PATENT DOCUMENTS

D. 280,008	8/1985	Miller et al.	D23/25
D. 280,009	8/1985	Miller et al.	D23/25
4,479,736	10/1984	Evans et al.	403/287

OTHER PUBLICATIONS

- Domestic Engineering, 5/82, p. 49 Faucet Handle, top left side of page.
- Domestic Engineering, 5/80, p. 54, Faucet Handle, bottom left side of page.
- Paul Associates Brochure, p. 18, Regency & Bentley Lavatory Handles.
- Paul Associates Brochure, p. 19, Edwardian & Nottingham Lavatory Handles.

Primary Examiner—James M. Gandy
Attorney, Agent, or Firm—Blakely, Sokoloff, Taylor & Zafman

[57] CLAIM

The ornamental design for a lever handle for plumbing fixture, as shown and described.

DESCRIPTION

FIG. 1 is a top plan view of a lever handle for plumbing fixture incorporating my new design;
 FIG. 2 is a side elevational view thereof, the opposite side being a mirror image of that shown; it being understood that the broken lines are for illustrative purposes only;
 FIG. 3 is a front elevational view thereof;
 FIG. 4 is a rear elevational view thereof;
 FIG. 5 is a bottom plan view thereof;
 FIG. 6 is an enlarged sectional view taken along a plane corresponding to line 6—6 of FIG. 2;
 FIG. 7 is a side elevational view of a lever handle for plumbing fixture showing a second embodiment of my new design;
 FIG. 8 is an enlarged transverse sectional view taken along a plane corresponding to line 8—8 of FIG. 7;
 FIG. 9 is a side elevational view of a lever handle for plumbing fixture showing a third embodiment of my new design;
 FIG. 10 is an enlarged transverse sectional view taken along a plane corresponding to line 10—10 of FIG. 9;
 FIG. 11 is a side elevational view of a lever handle for plumbing fixture showing a fourth embodiment of my new design;
 FIG. 12 is an enlarged transverse sectional view taken along a plane corresponding to line 12—12 of FIG. 11.
 The sole difference between the first embodiment of the lever handle and the second, third and fourth embodiments thereof is understood to reside in the shape and appearance of the horizontal lever portion of the handle.

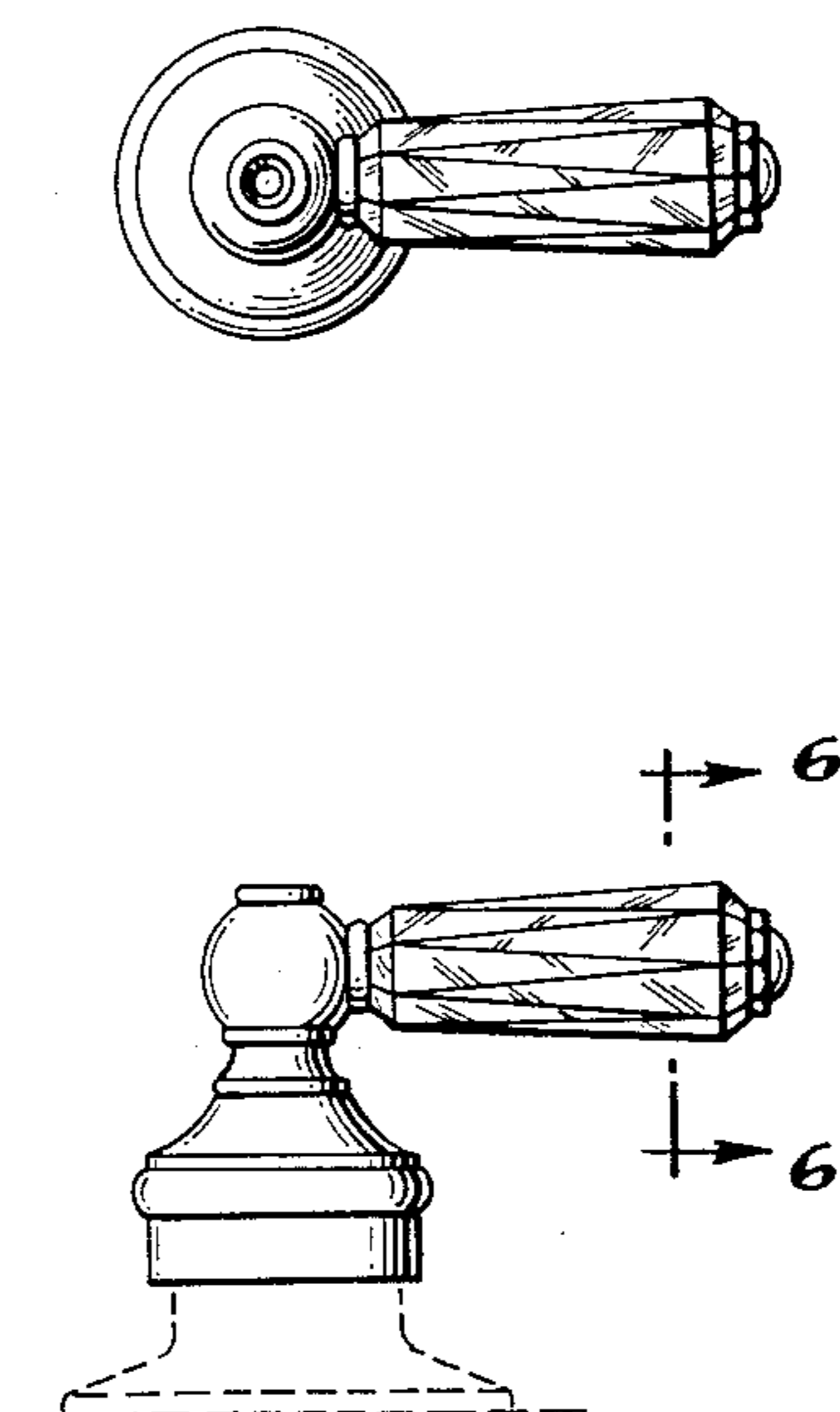


Fig. 1.

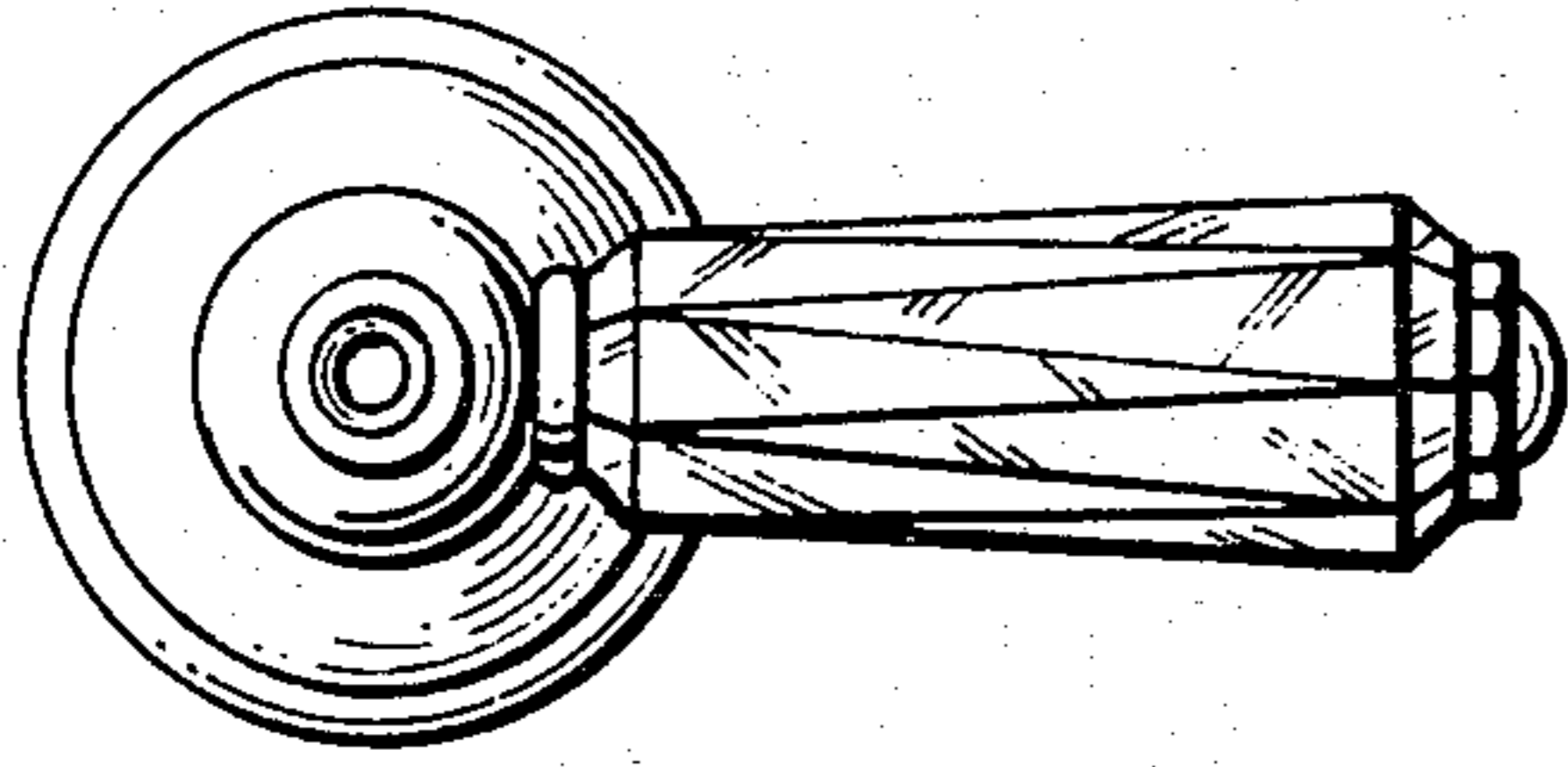


Fig. 3.

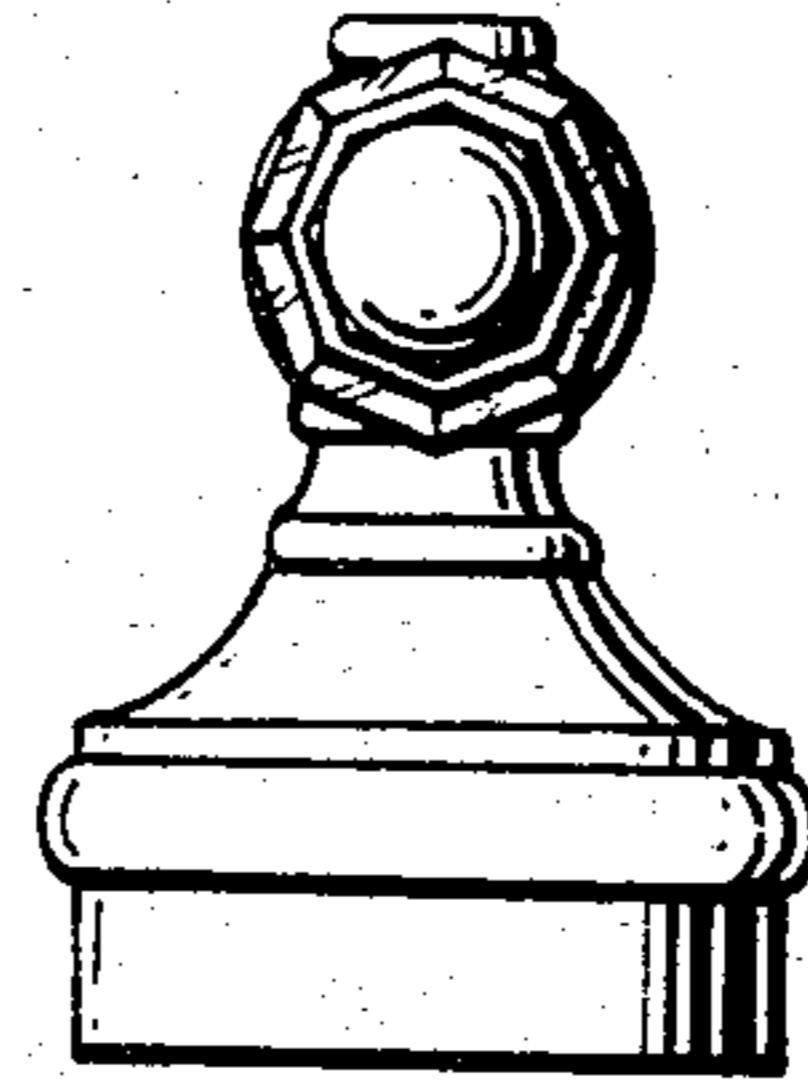


Fig. 2.

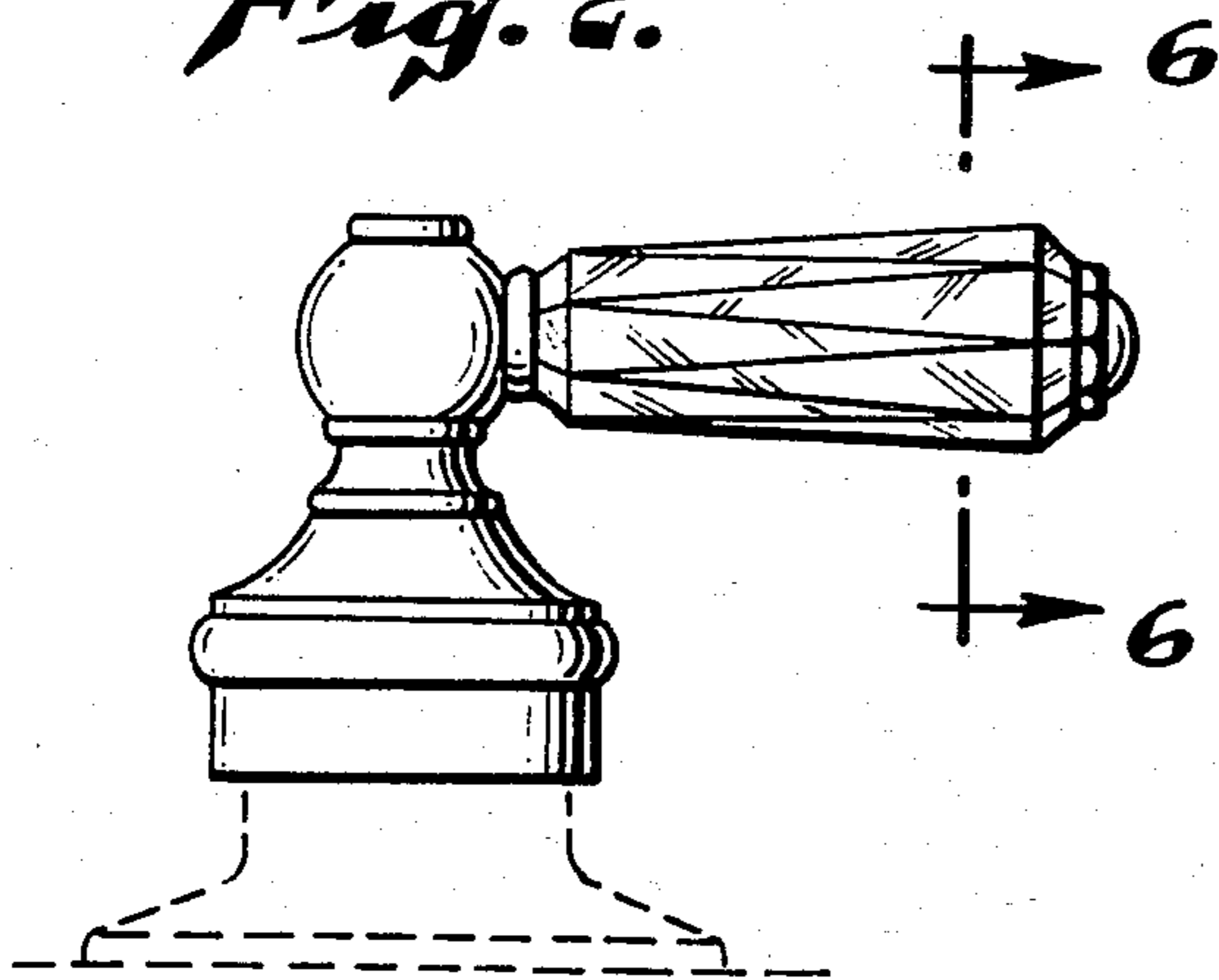


Fig. 4.

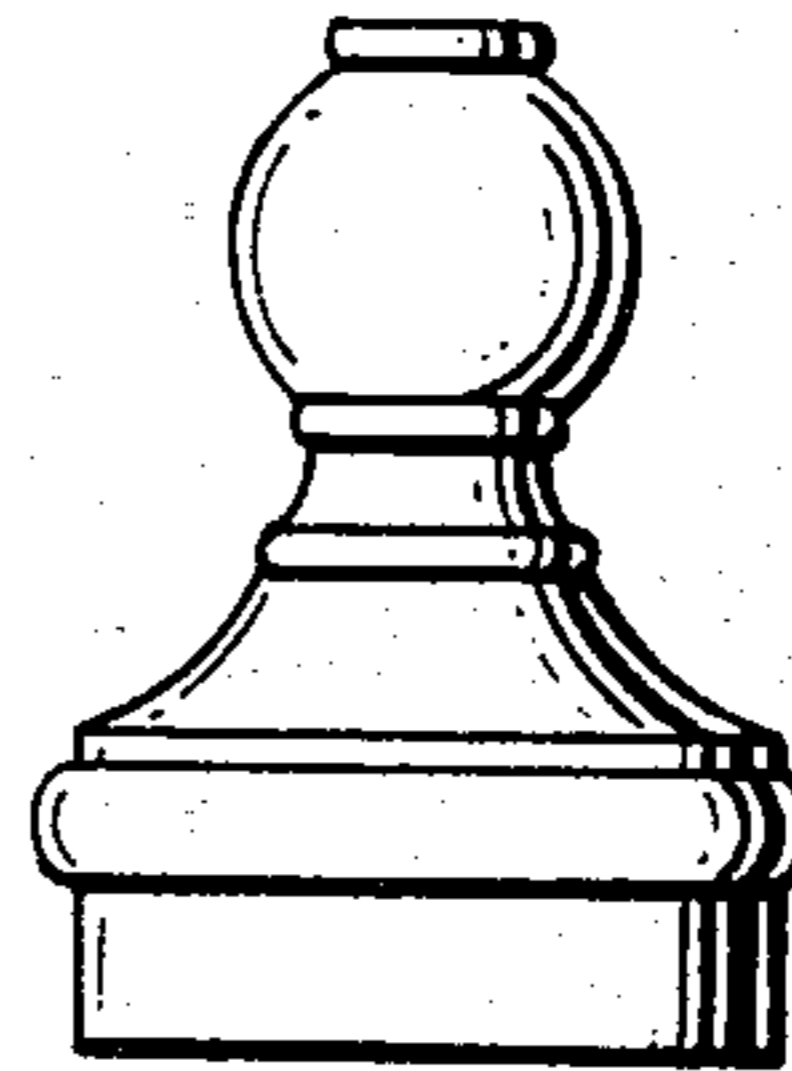


Fig. 5.

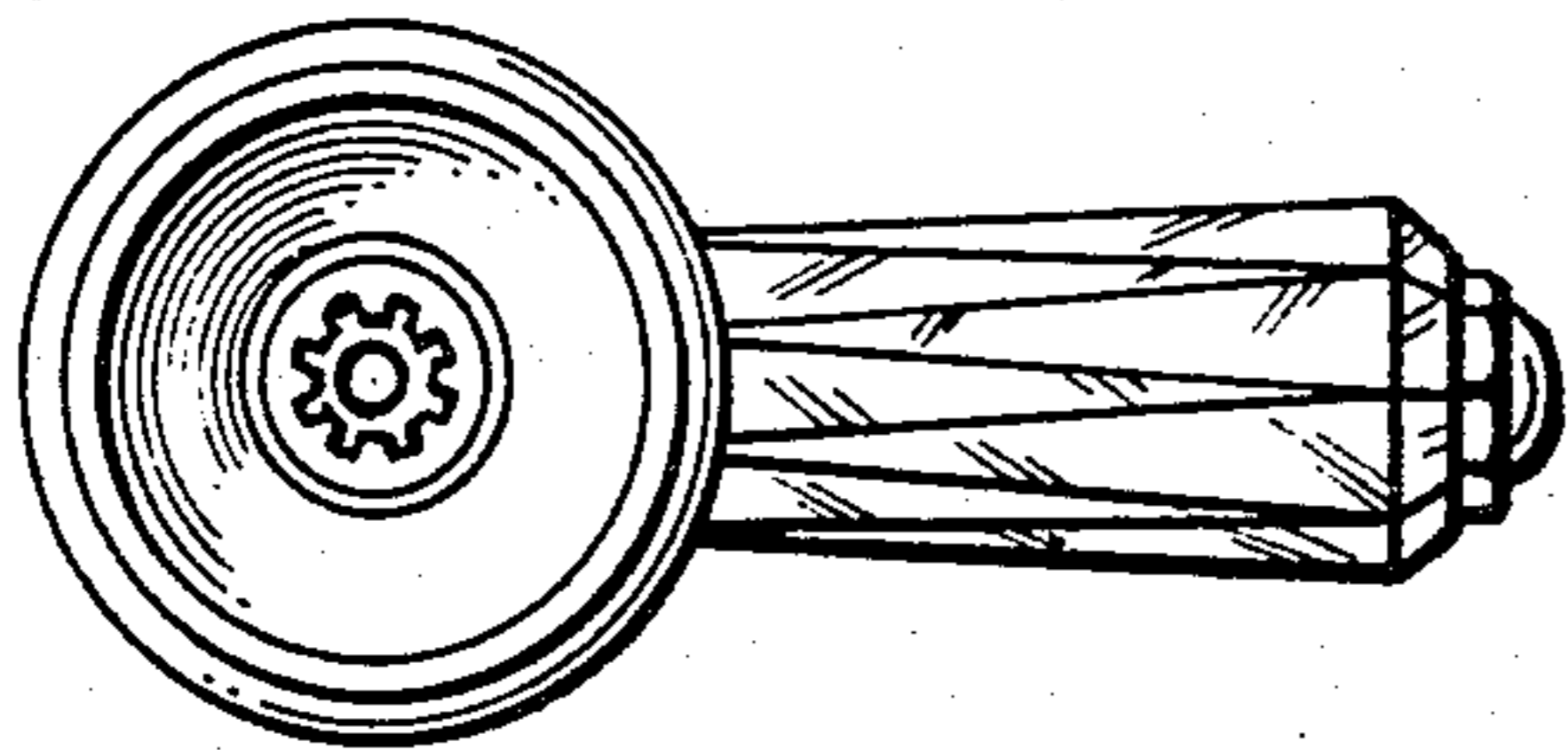


Fig. 6.

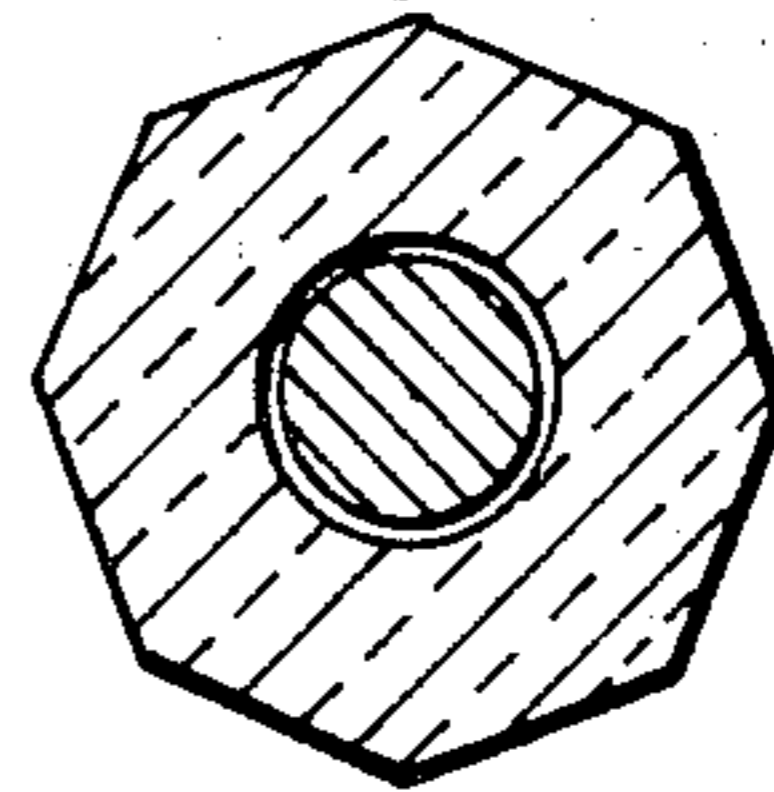


Fig. 7.

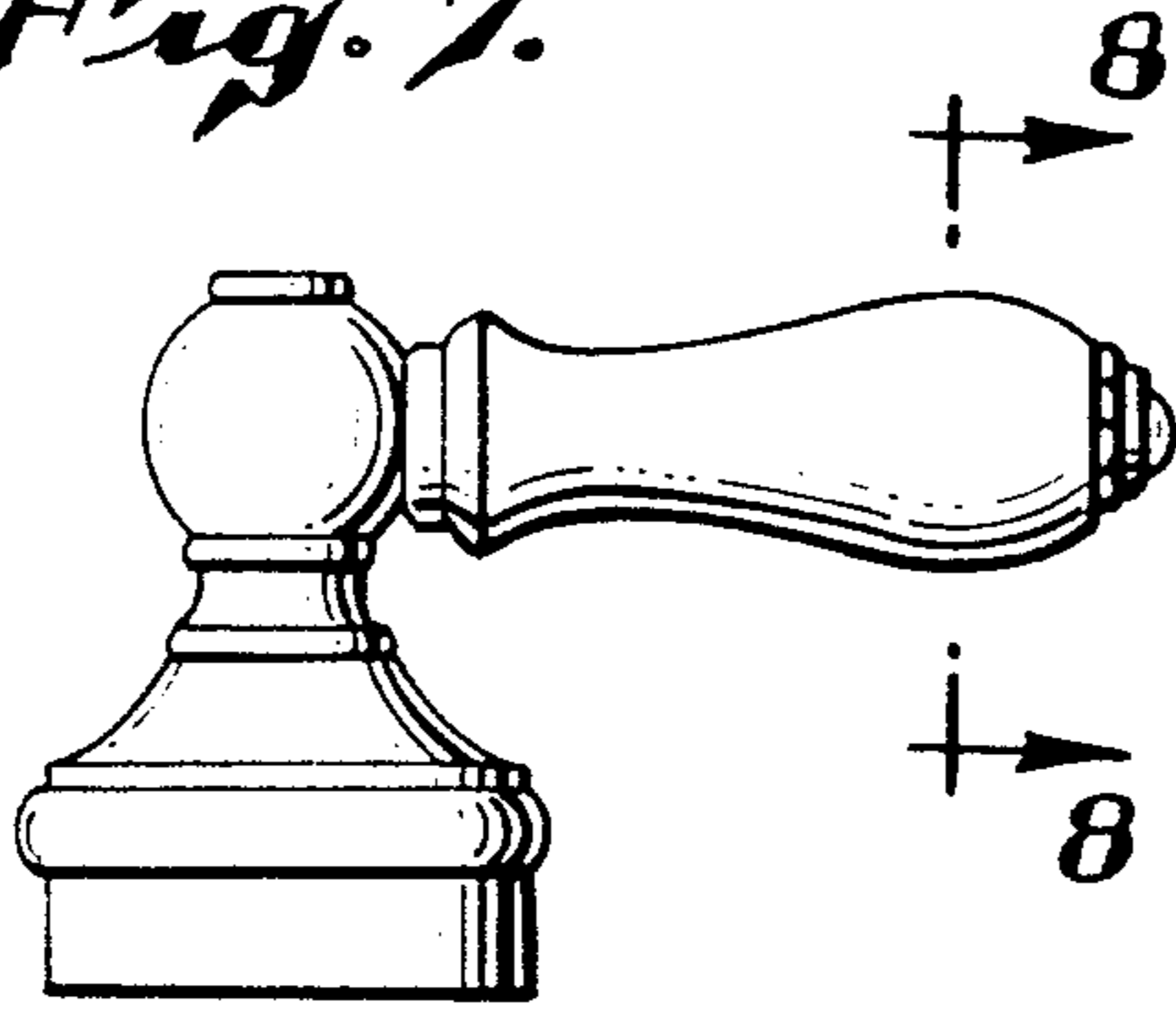


Fig. 8.

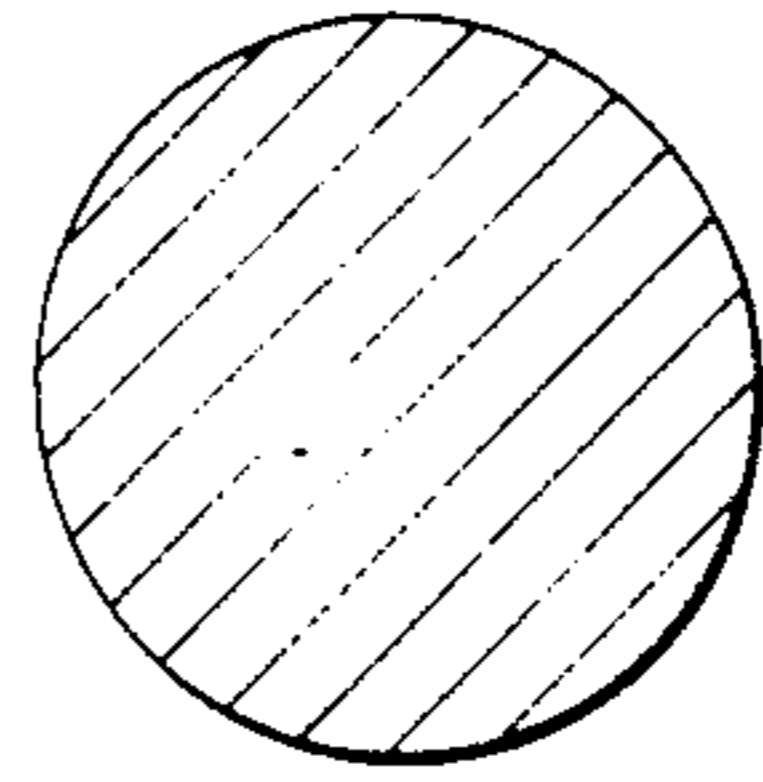


Fig. 10.

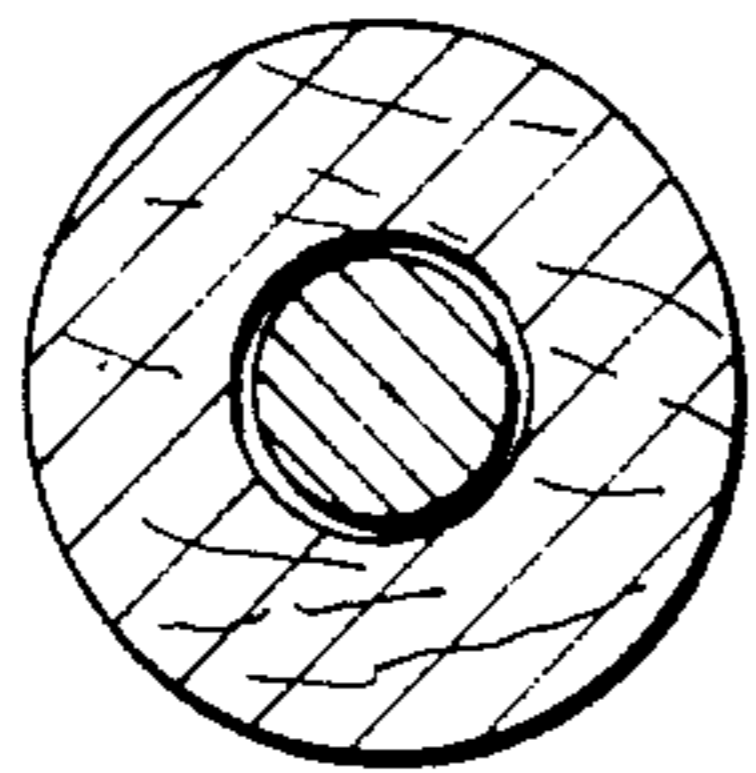


Fig. 9.

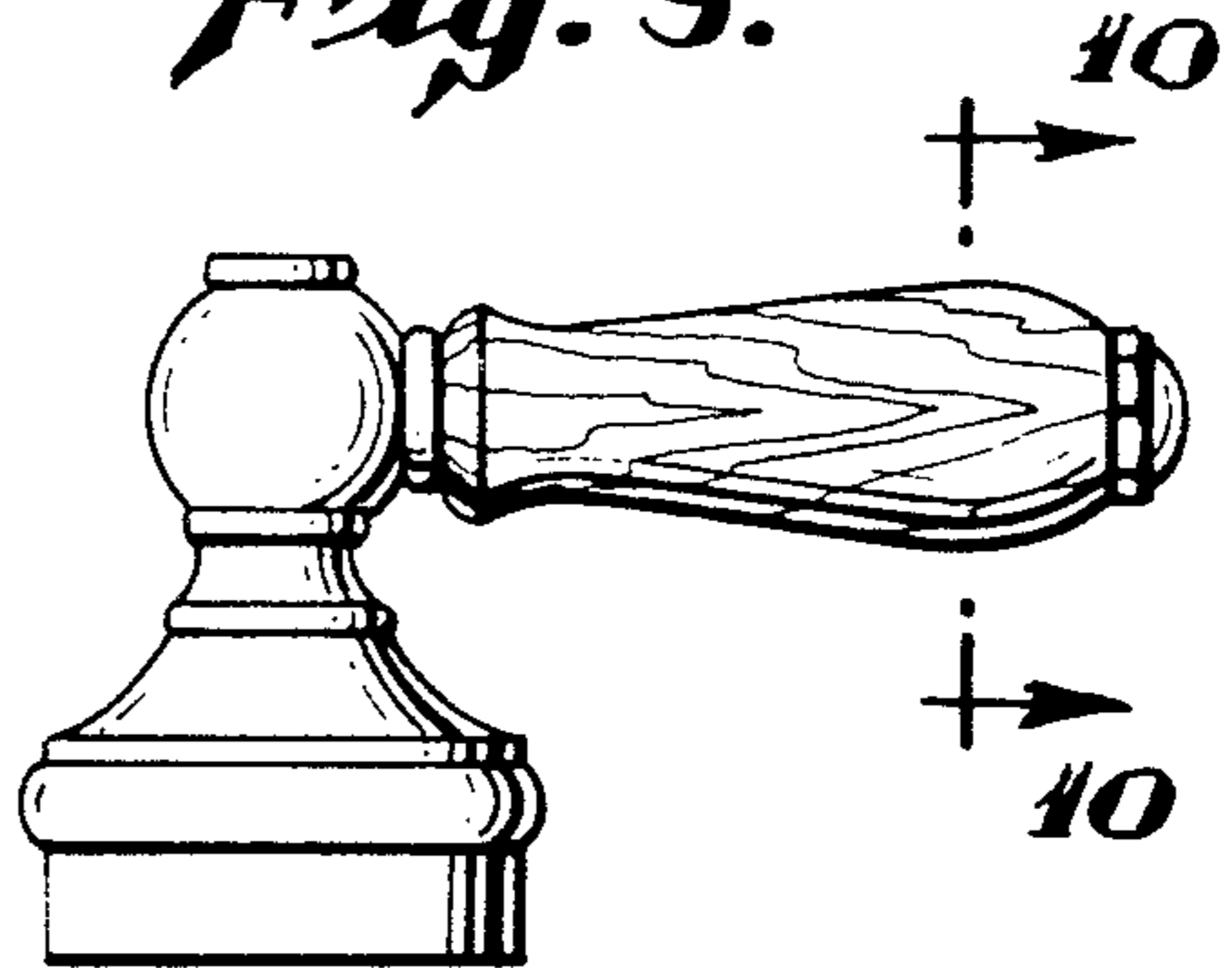


Fig. 11.

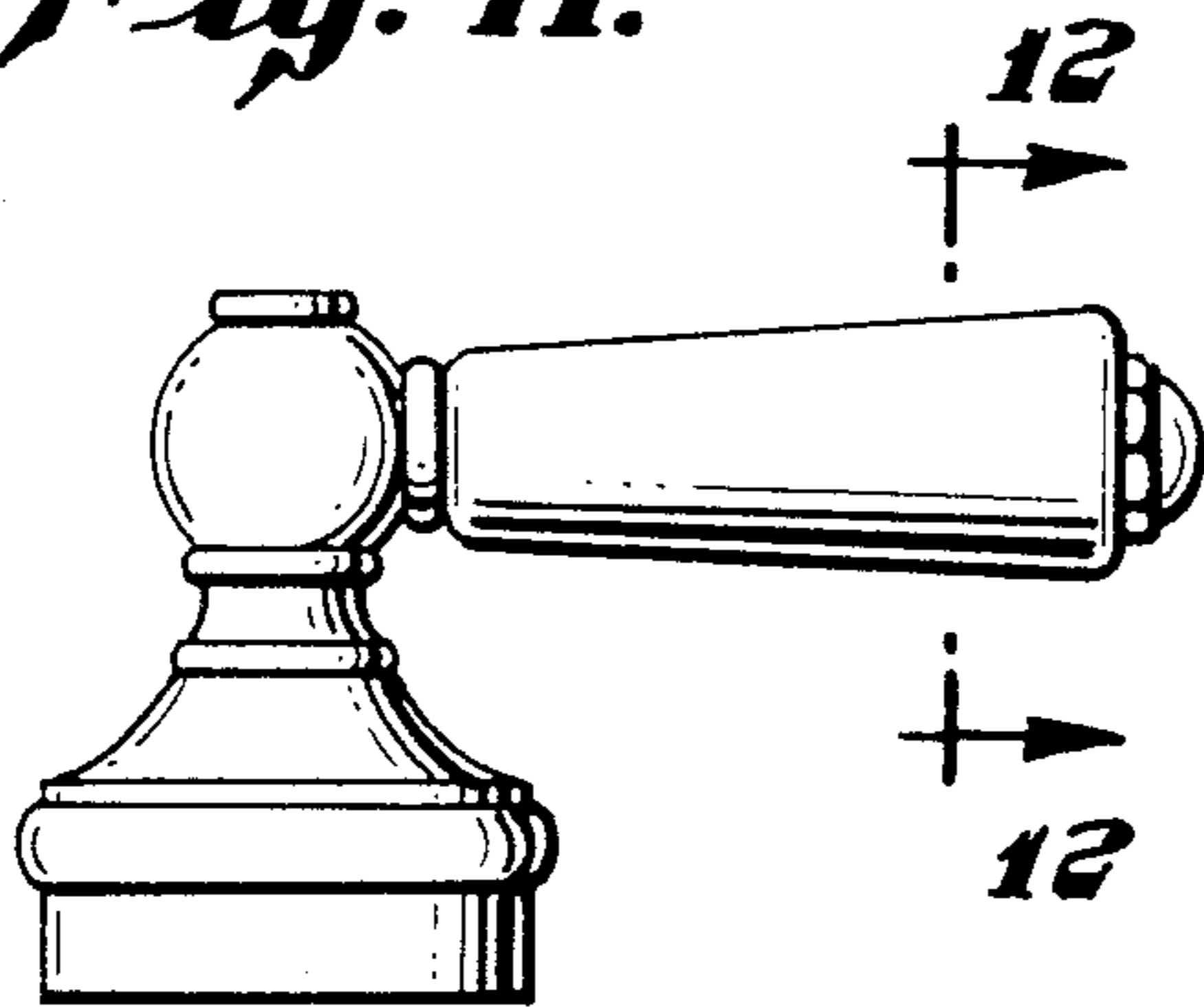


Fig. 12.

