

[54] **MIXING VALVE FOR SHOWERS OR THE LIKE**

[75] **Inventor: Kenneth A. Ogilvie, Naunton, United Kingdom**

[73] **Assignee: Walker Croweller & Company Limited, England**

[\*\*] **Term: 14 Years**

[21] **Appl. No.: 721,925**

[22] **Filed: Apr. 11, 1985**

[30] **Foreign Application Priority Data**

Dec. 4, 1984 [GB] United Kingdom ..... 1023712  
[52] **U.S. Cl. .... D23/19**  
[58] **Field of Search ..... D23/19-32, D23/38, 39; 16/110, 121**

[56] **References Cited**

**U.S. PATENT DOCUMENTS**

- D. 50,631 4/1917 Reid, Jr. .... D23/39
- D. 86,452 3/1932 Grandahl ..... D23/39
- D. 152,809 2/1949 MacCauley ..... D23/21
- D. 180,254 5/1957 Tiller ..... D23/38
- D. 193,756 10/1962 Parker ..... D23/31
- D. 194,229 12/1962 Landell et al. .... D23/31
- D. 203,795 2/1966 Harvey et al. .... D23/31
- D. 209,805 1/1968 Barker ..... D23/38

- D. 213,779 4/1969 DuBois ..... D23/31
- D. 241,440 9/1976 Doman ..... 3/31
- D. 263,989 4/1982 Fleischmann et al. .... D23/31

**OTHER PUBLICATIONS**

Domestic Engineering, Feb. 1961, p. 31.  
Domestic Engineering, Jan. 1964, p. 119, top left item.  
Domestic Engineering, Dec. 1964, p. 89, top left item.  
Domestic Engineering, Nov. 1967, p. 29, top left item.

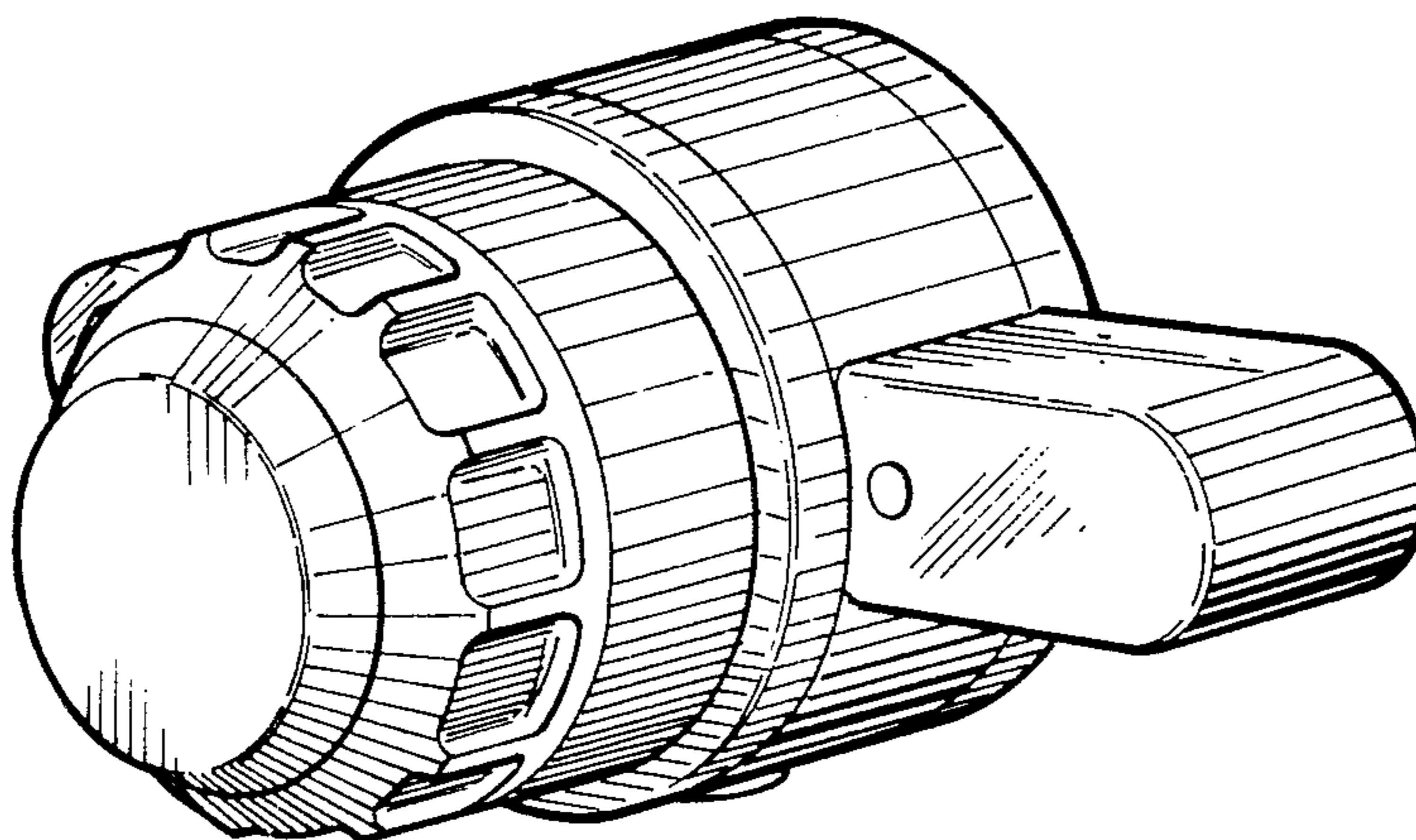
*Primary Examiner*—James R. Largen  
*Attorney, Agent, or Firm*—Larson and Taylor

[57] **CLAIM**

The ornamental design for a mixing valve for showers or the like, as shown and described.

**DESCRIPTION**

FIG. 1 is a front elevational view of a mixing valve for showers or the like showing my new design;  
FIG. 2 is a top plan view thereof;  
FIG. 3 is a rear elevational view thereof;  
FIG. 4 is a right side elevational view thereof, the left side being a mirror image of the right side shown;  
FIG. 5 is a bottom plan view thereof;  
FIG. 6 is a perspective view taken from the top, front and right side thereof; and  
FIG. 7 is a perspective view taken from the top, rear and left side thereof.



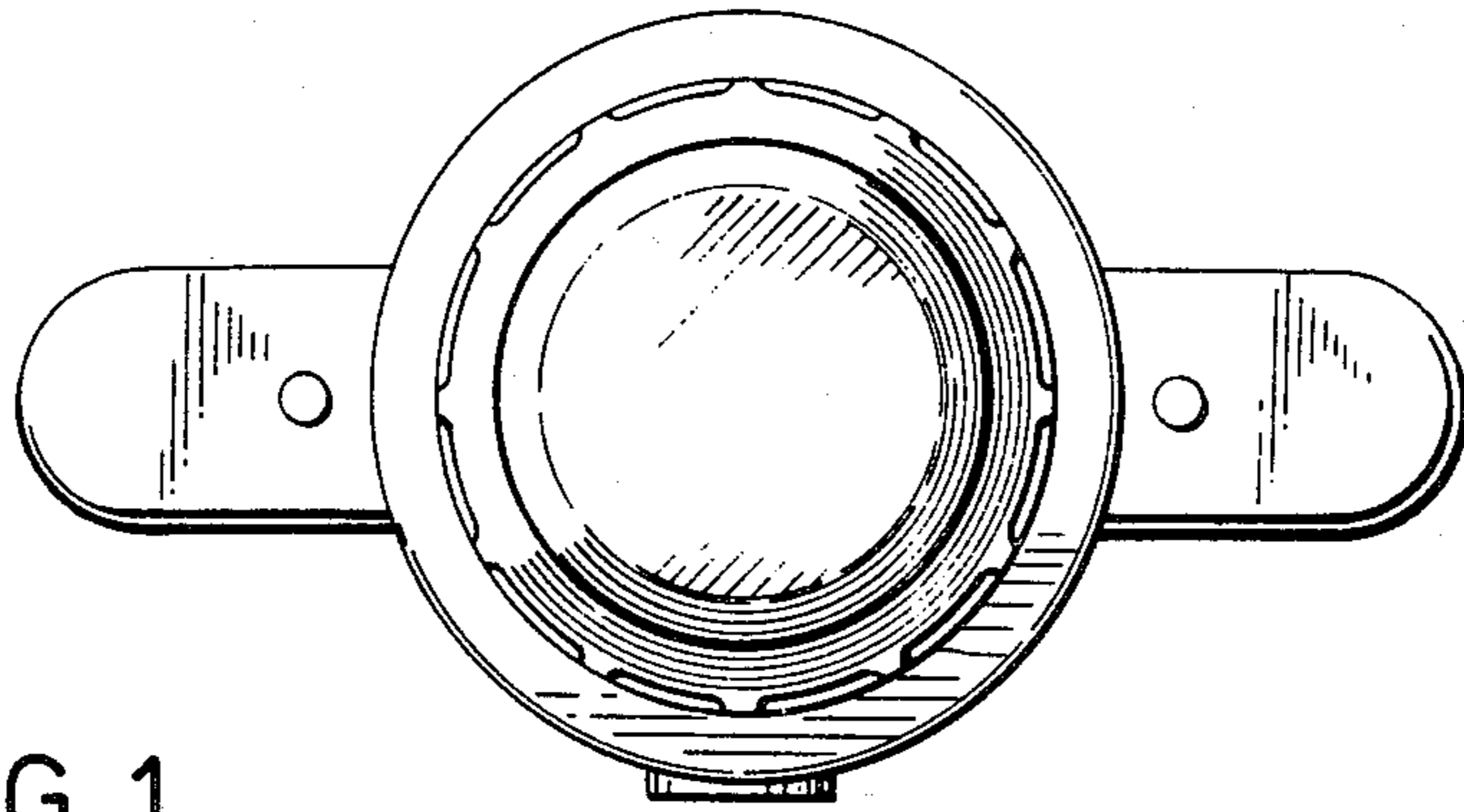


FIG. 1

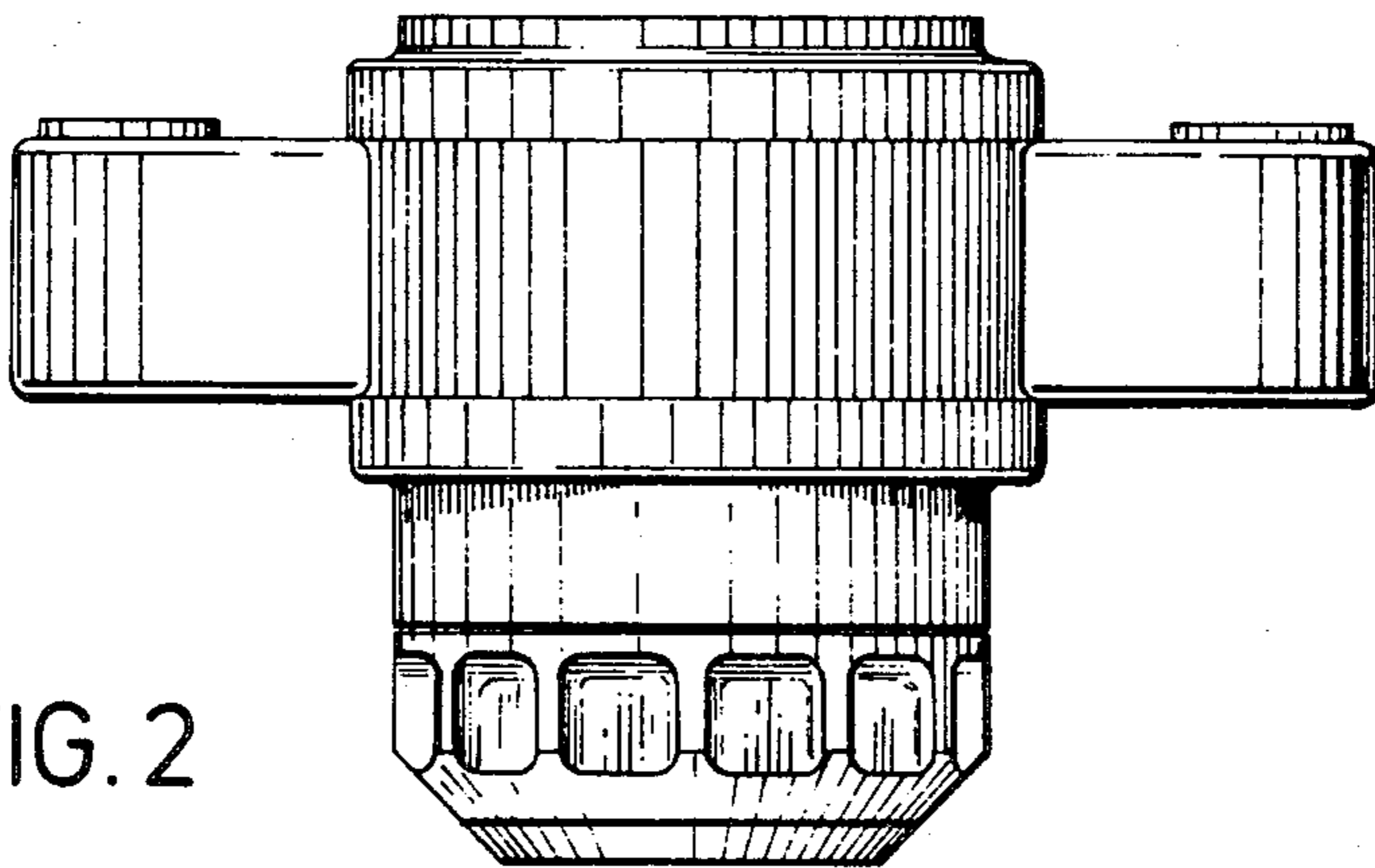


FIG. 2

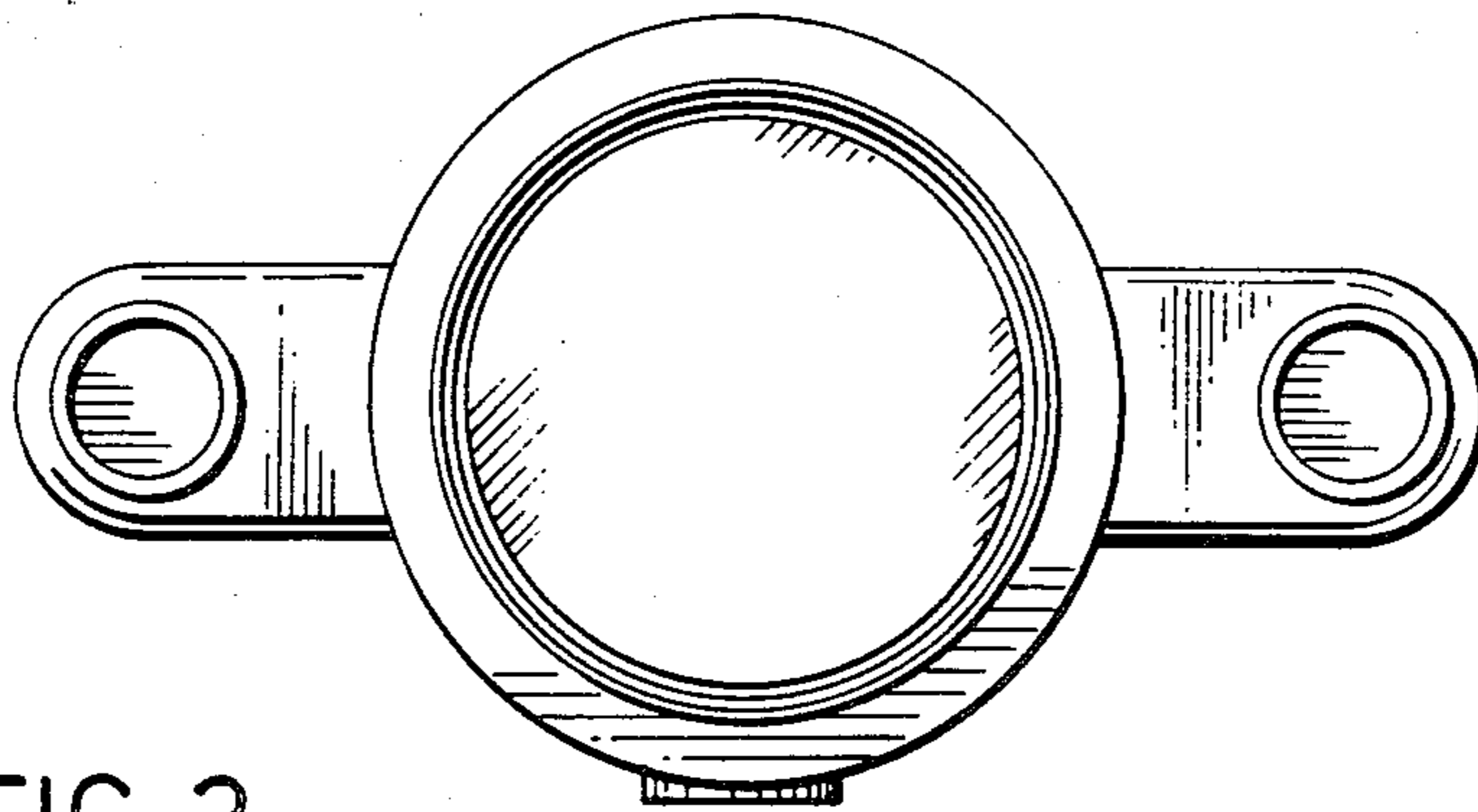


FIG. 3

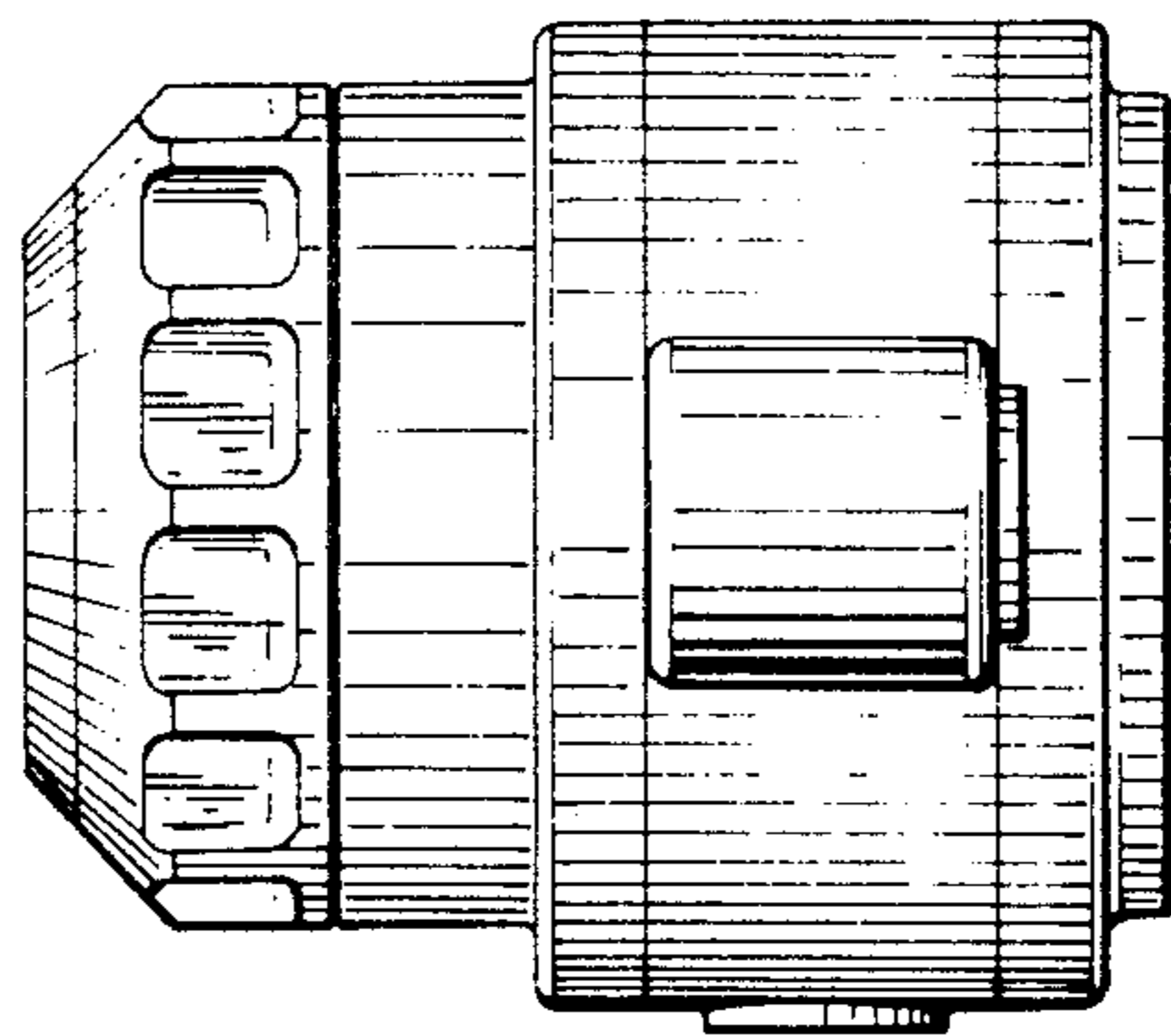


FIG. 4

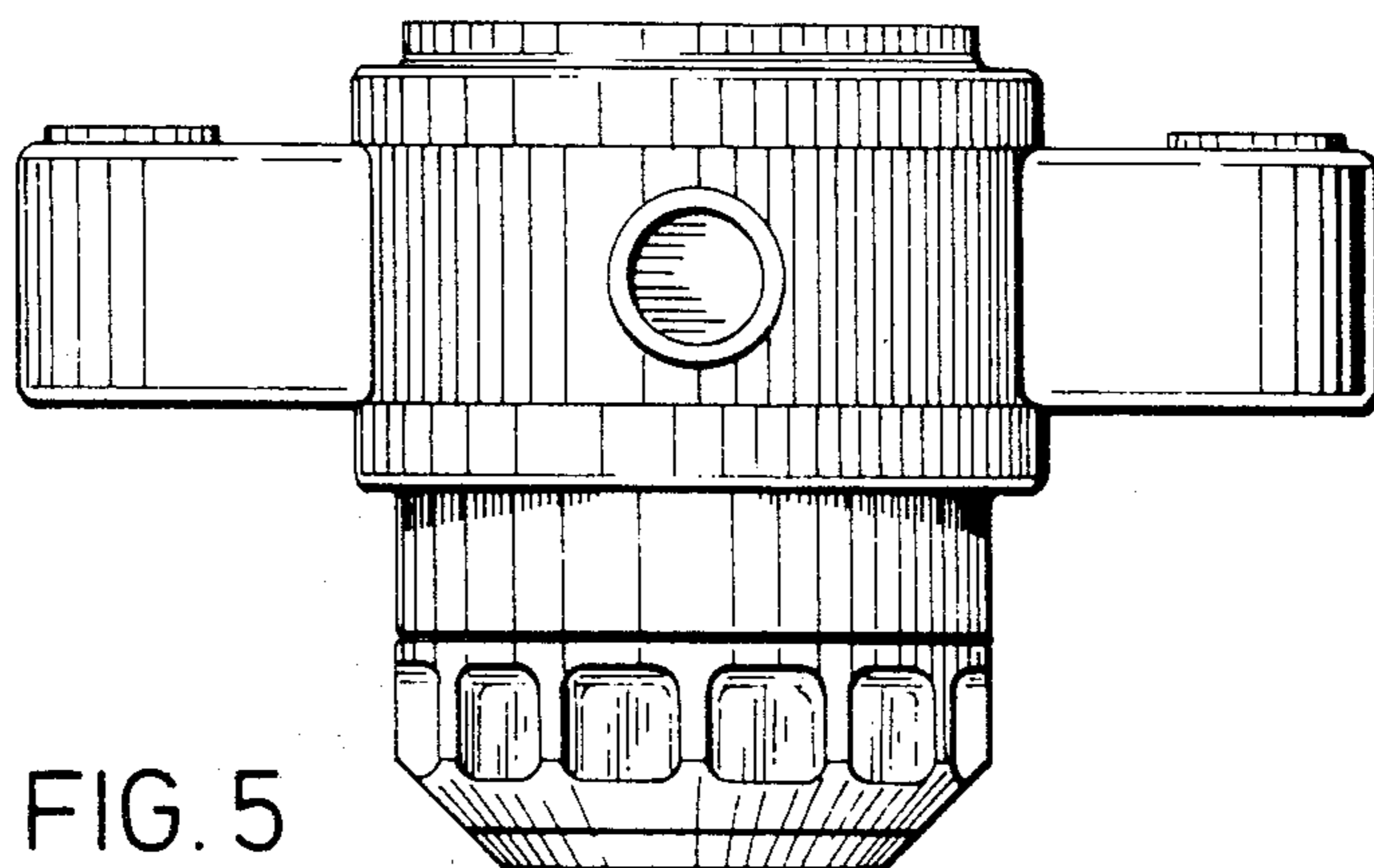


FIG. 5

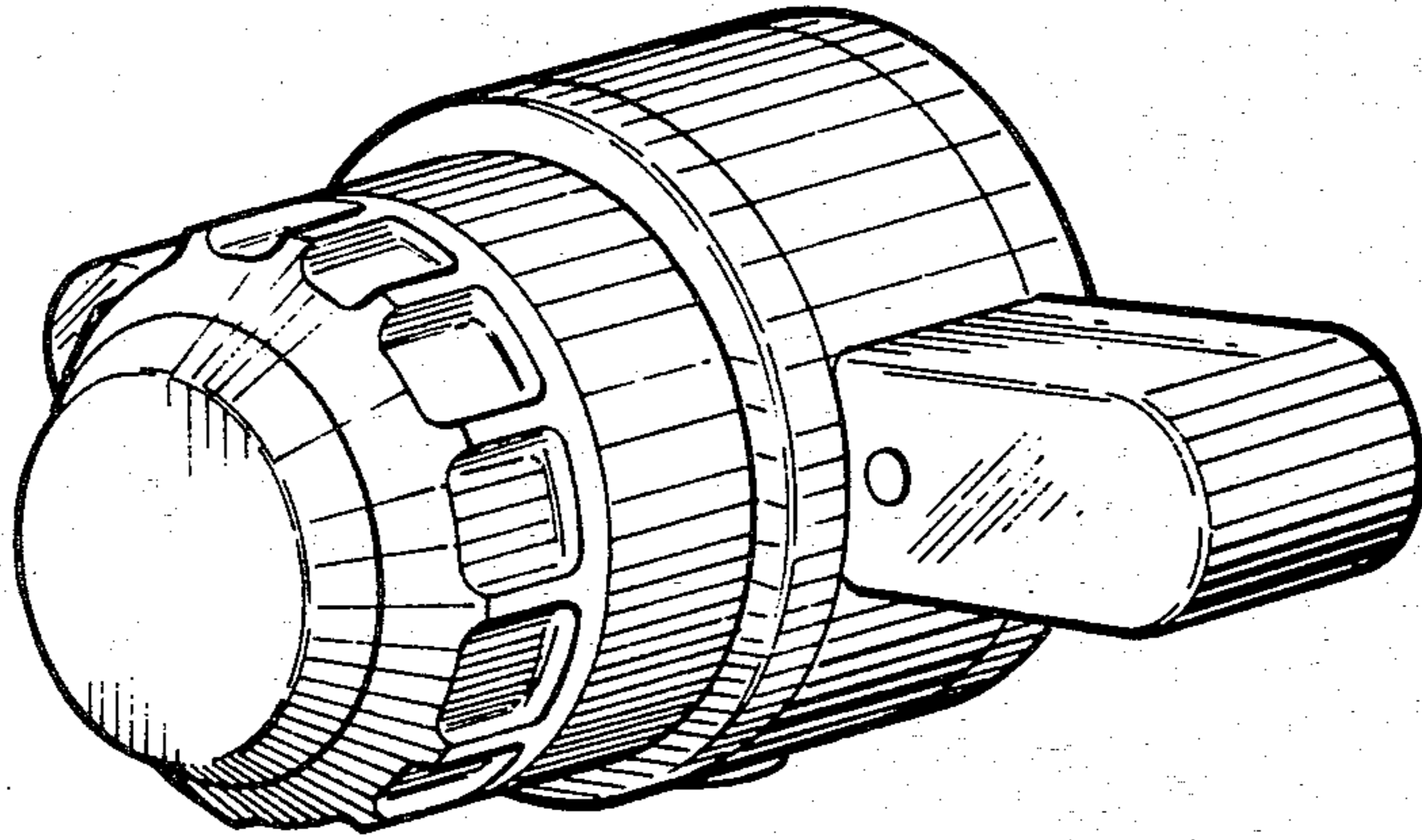


FIG. 6

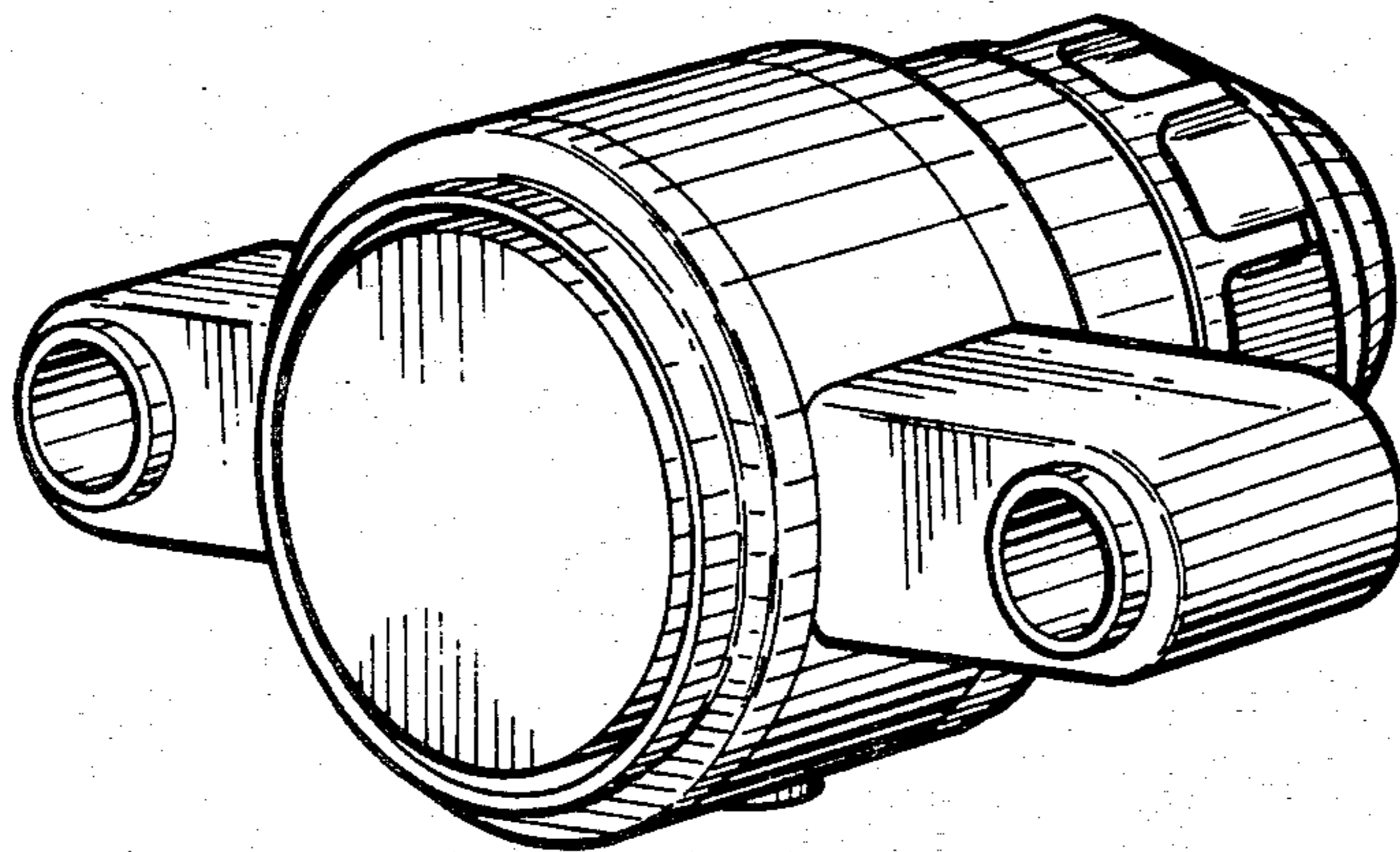


FIG. 7