

[54] TOY INTERCONNECTING ANGLE BLOCK OR THE LIKE

[75] Inventor: Kiyohide Nakata, Tama, Japan

[73] Assignee: Kawada Co., Ltd., Tokyo, Japan

[\*\*] Term: 14 Years

[21] Appl. No.: 648,529

[22] Filed: Sep. 10, 1984

[30] Foreign Application Priority Data

May 30, 1984 [JP] Japan ..... 59-21776

[52] U.S. Cl. .... D21/108

[58] Field of Search ..... D21/108; 446/85, 88, 446/89, 103, 105, 107, 120, 121, 122, 124, 125, 128

[56] References Cited

U.S. PATENT DOCUMENTS

D. 279,697 7/1985 Tapdrup ..... D21/108

OTHER PUBLICATIONS

Ward's Christmas Catalog, 1983, p. 104, Windshield Member in Item B., top of page.

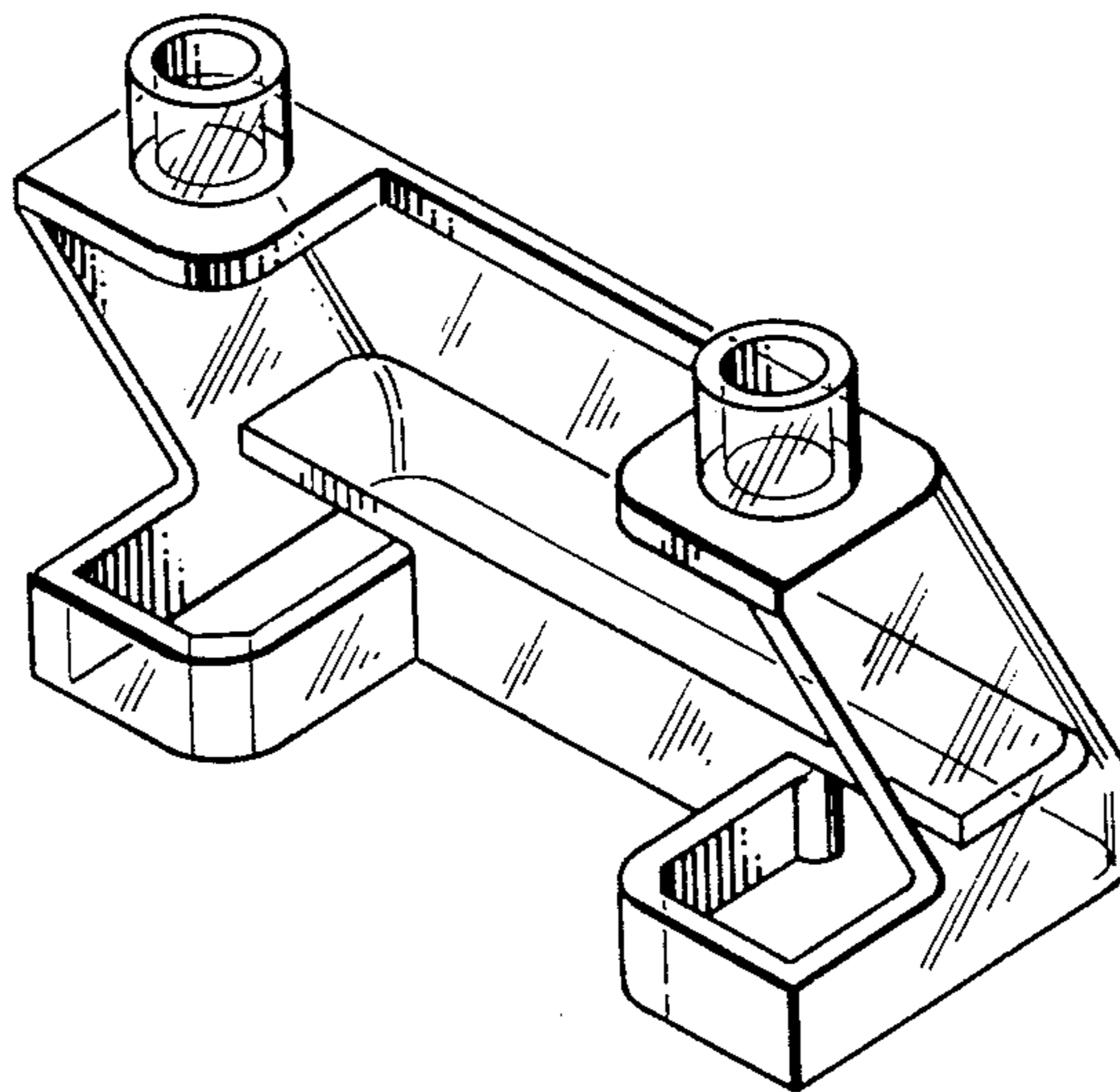
Primary Examiner—Charles A. Rademaker  
Attorney, Agent, or Firm—Don B. Finkelstein

[57] CLAIM

The ornamental design for a toy interconnecting angle block or the like, substantially as shown and described.

DESCRIPTION

FIG. 1 is a perspective view of a toy interconnecting angle block or the like showing my new design; FIG. 2 is a top plan view thereof; FIG. 3 is a front elevational view thereof; FIG. 4 is a rear elevational view thereof; FIG. 5 is a left side elevational view thereof; FIG. 6 is a right side elevational view thereof; FIG. 7 is a bottom plan view thereof.



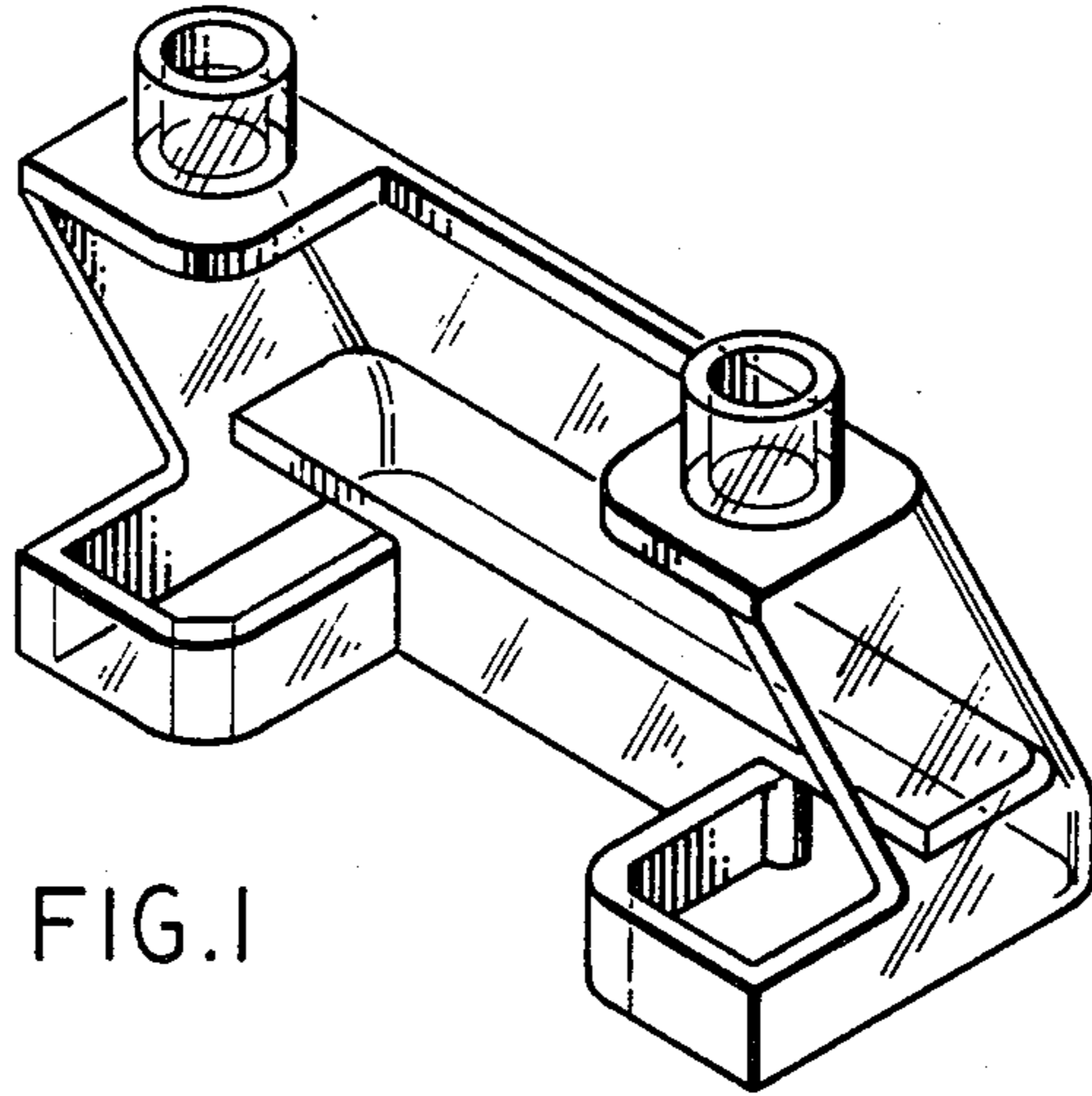


FIG. 1

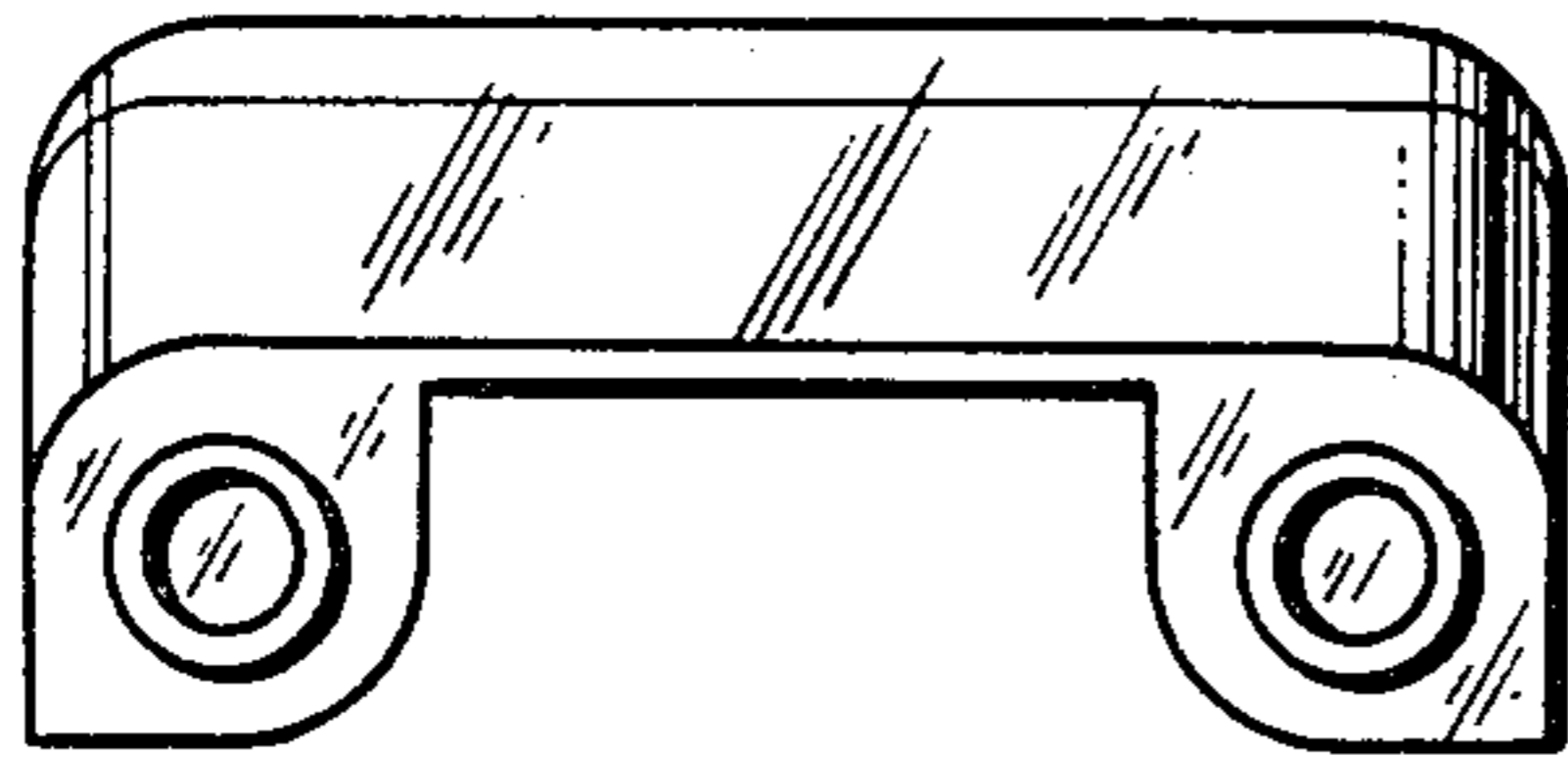


FIG. 2

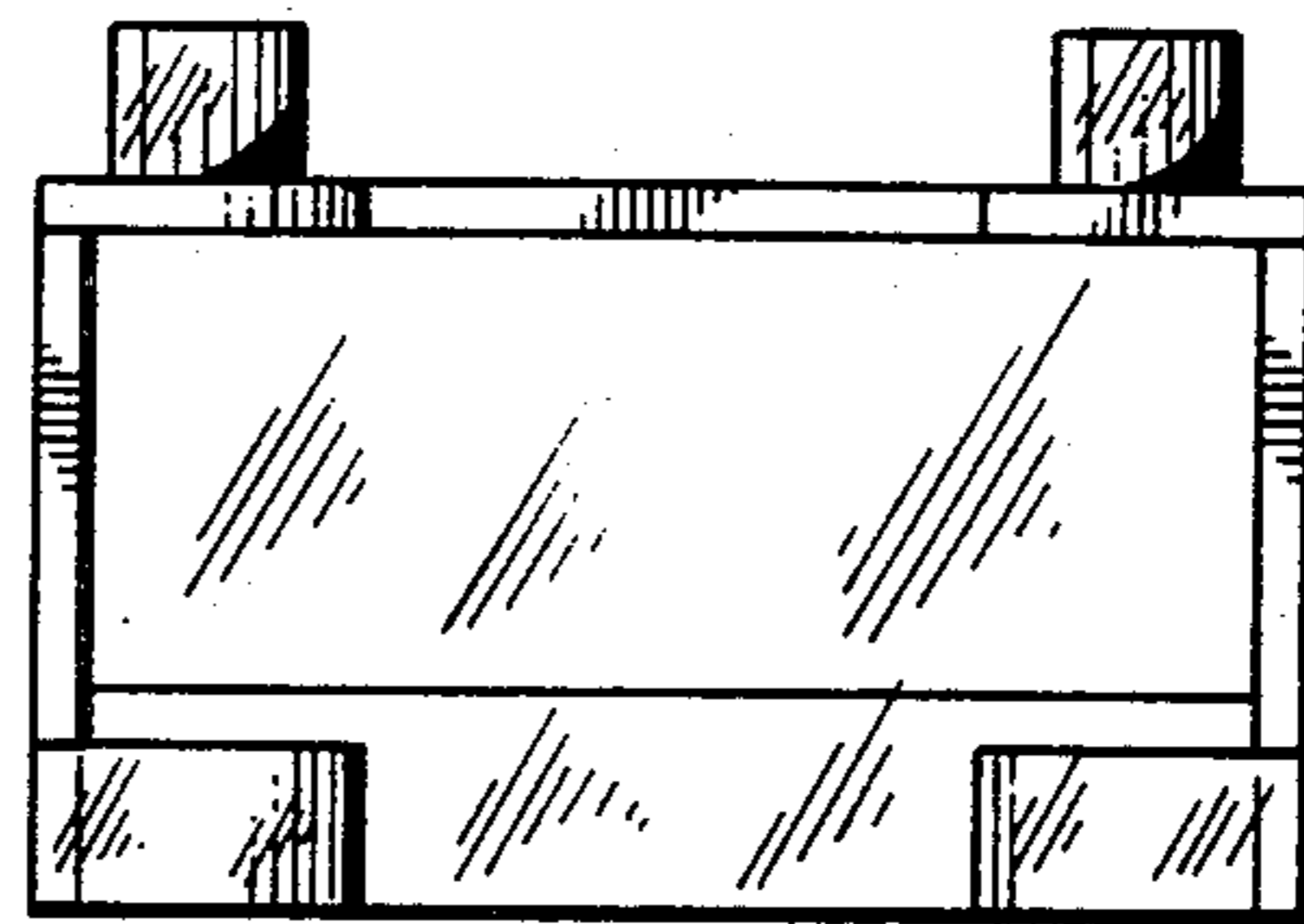


FIG. 3

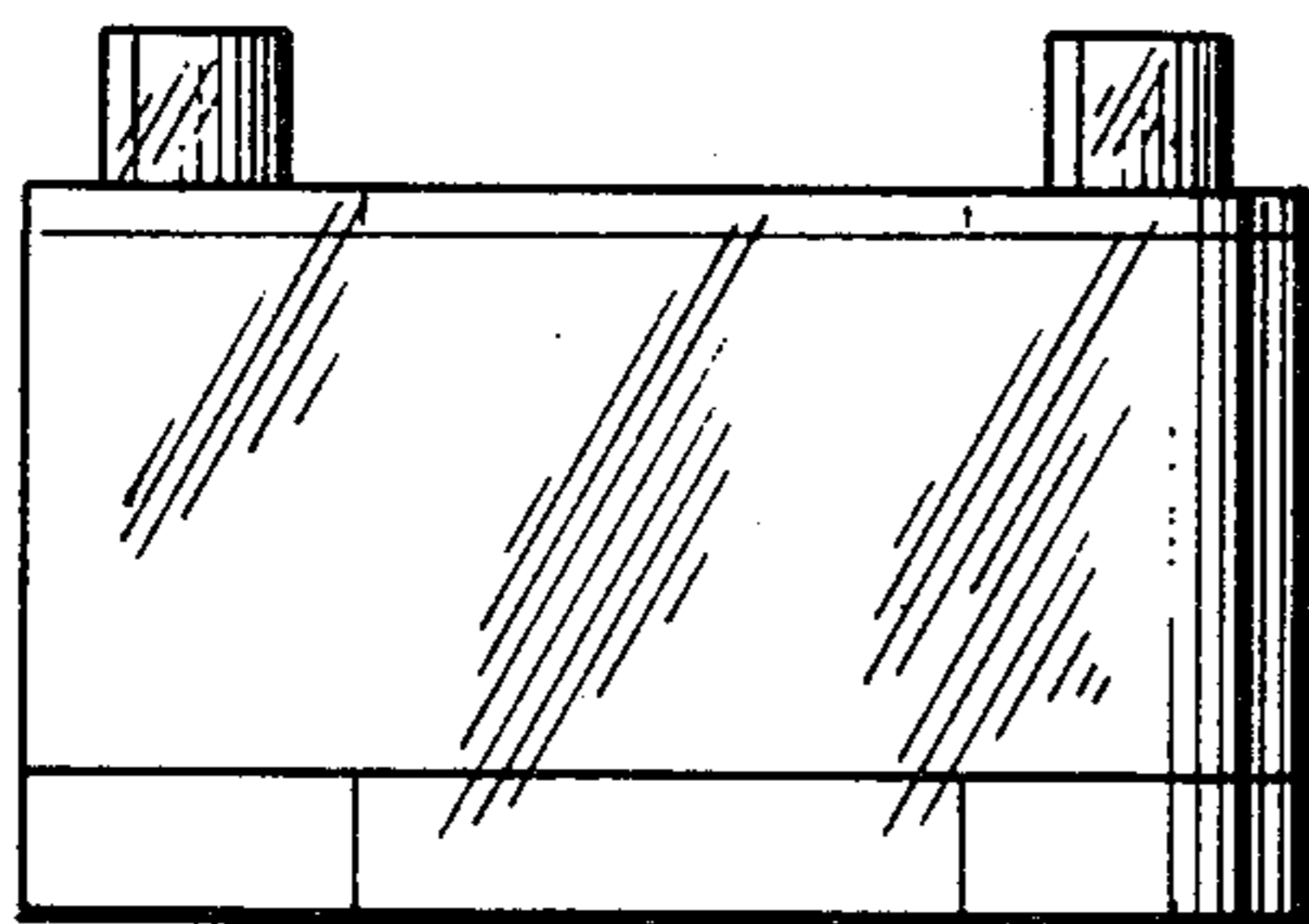


FIG. 4

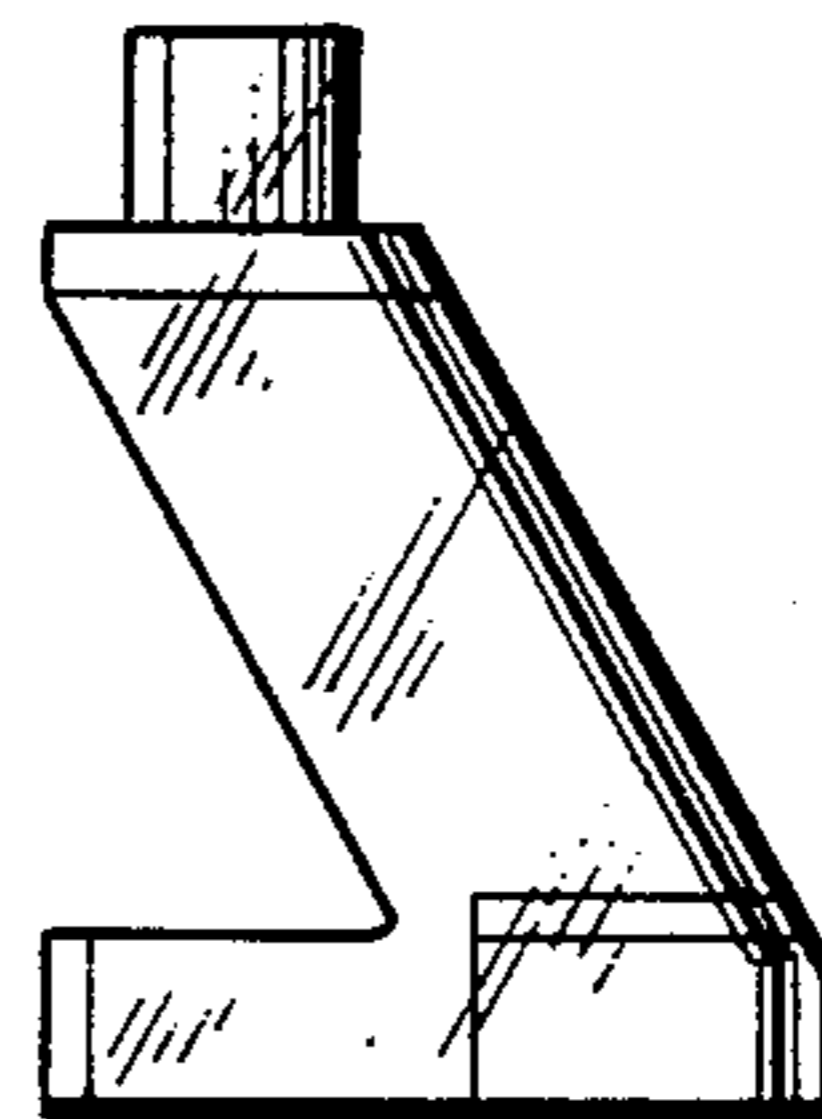


FIG. 5

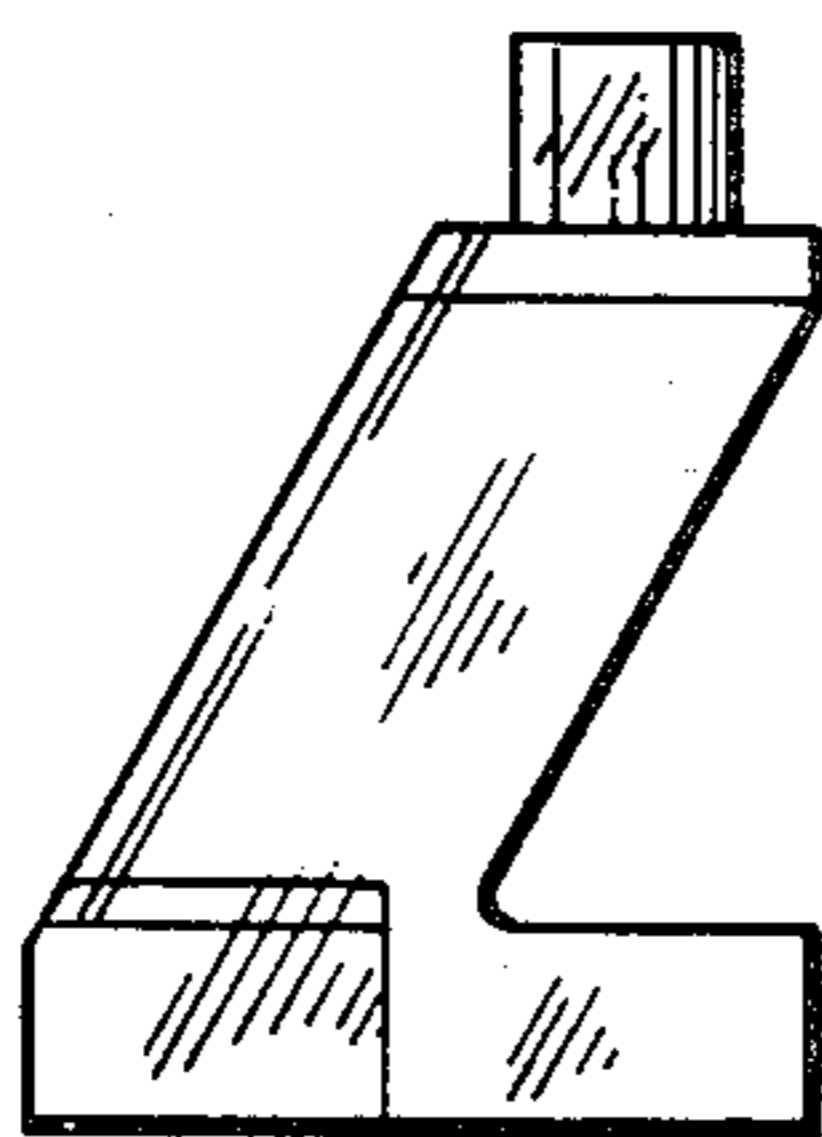


FIG. 6

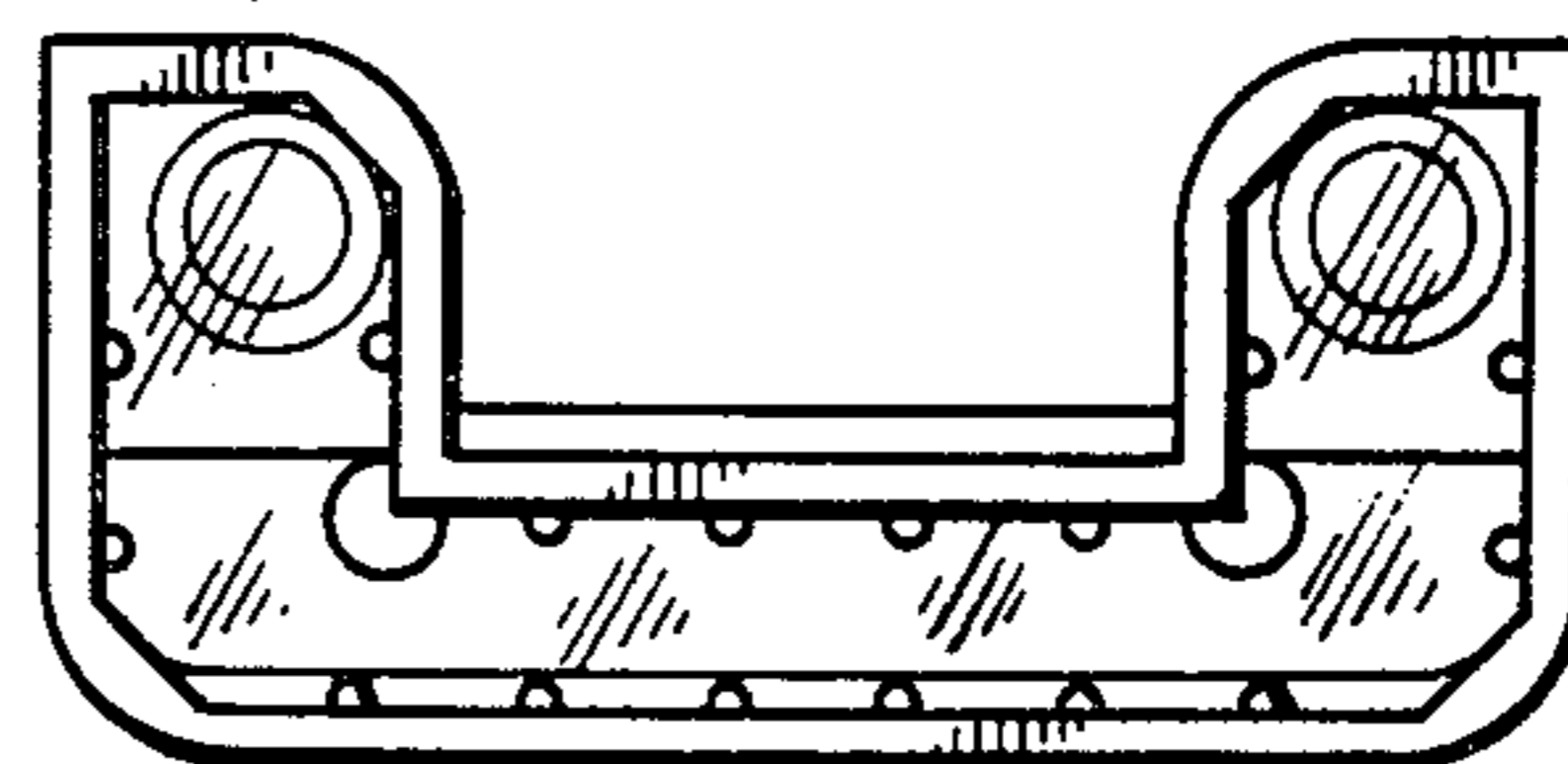


FIG. 7