

[54] **TOY BUILDING BLOCK**
[75] **Inventor: Leo S. Volpe, Collingswood, N.J.**
[73] **Assignee: Tyco Industries, Inc., Moorestown, N.J.**
[**] **Term: 14 Years**
[21] **Appl. No.: 584,588**
[22] **Filed: Feb. 29, 1984**
[52] **U.S. Cl. D21/108**
[58] **Field of Search D21/108; 446/85, 114, 446/115, 116, 117, 118, 119, 120, 121, 124; D25/80, 81**

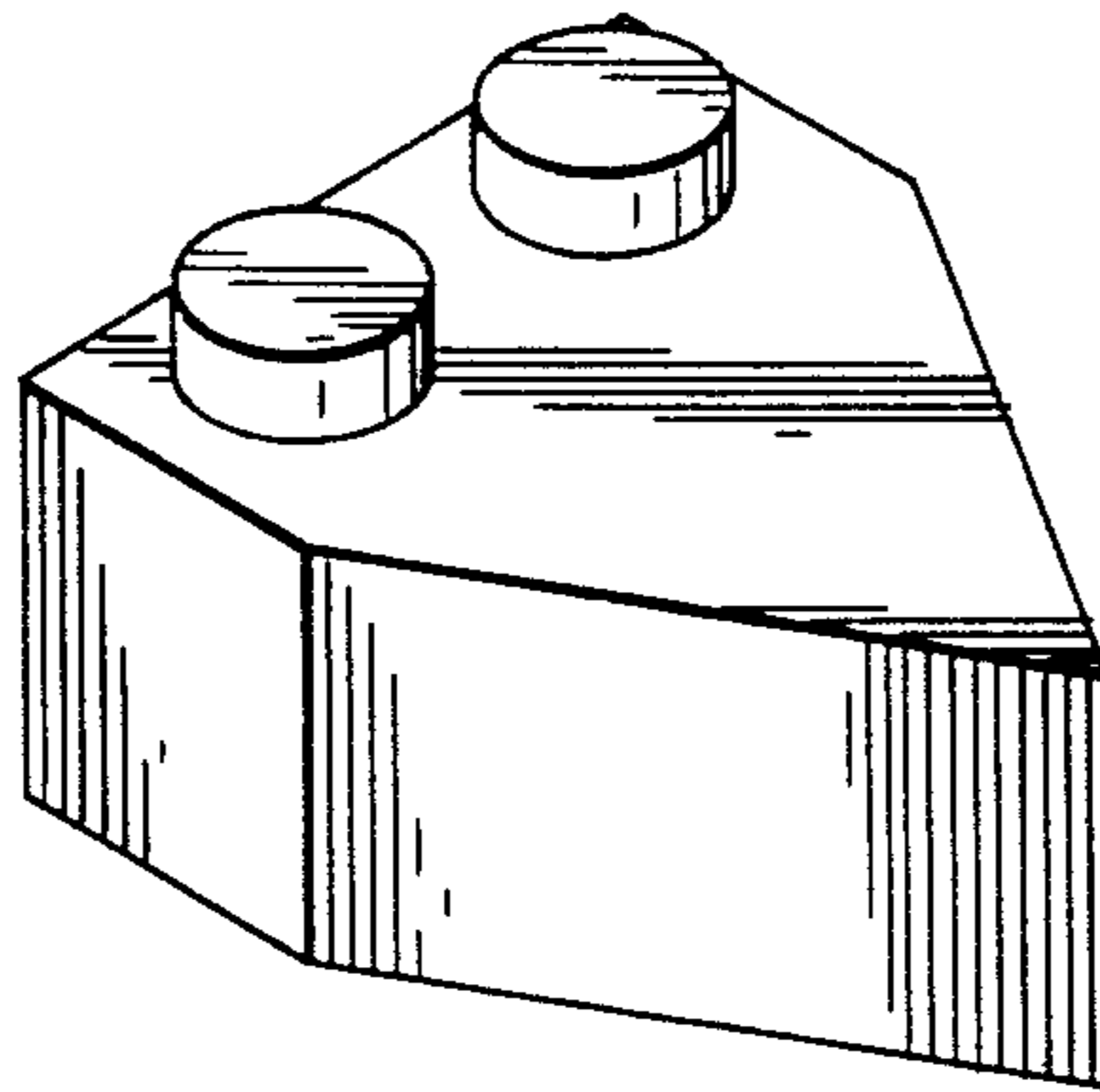
[56] **References Cited**
U.S. PATENT DOCUMENTS
2,132,647 10/1938 Robins D21/108
2,882,689 4/1959 Huch D21/108
3,034,254 5/1962 Christiansen D21/108

3,061,947 11/1962 Faudree D21/108
FOREIGN PATENT DOCUMENTS
M592 8/1972 Denmark D21/108

Primary Examiner—Charles A. Rademaker
Attorney, Agent, or Firm—Panitch Schwarze Jacobs & Nadel

[57] **CLAIM**
The ornamental design for a toy building block, substantially as shown and described.

DESCRIPTION
FIG. 1 is a top perspective view of a toy building block showing my new design;
FIG. 2 is a bottom perspective view;
FIG. 3 is a top plan view;
FIG. 4 is a bottom plan view;
FIG. 5 is a side elevational view;
FIG. 6 is a front elevational view; and
FIG. 7 is a rear elevational view thereof.



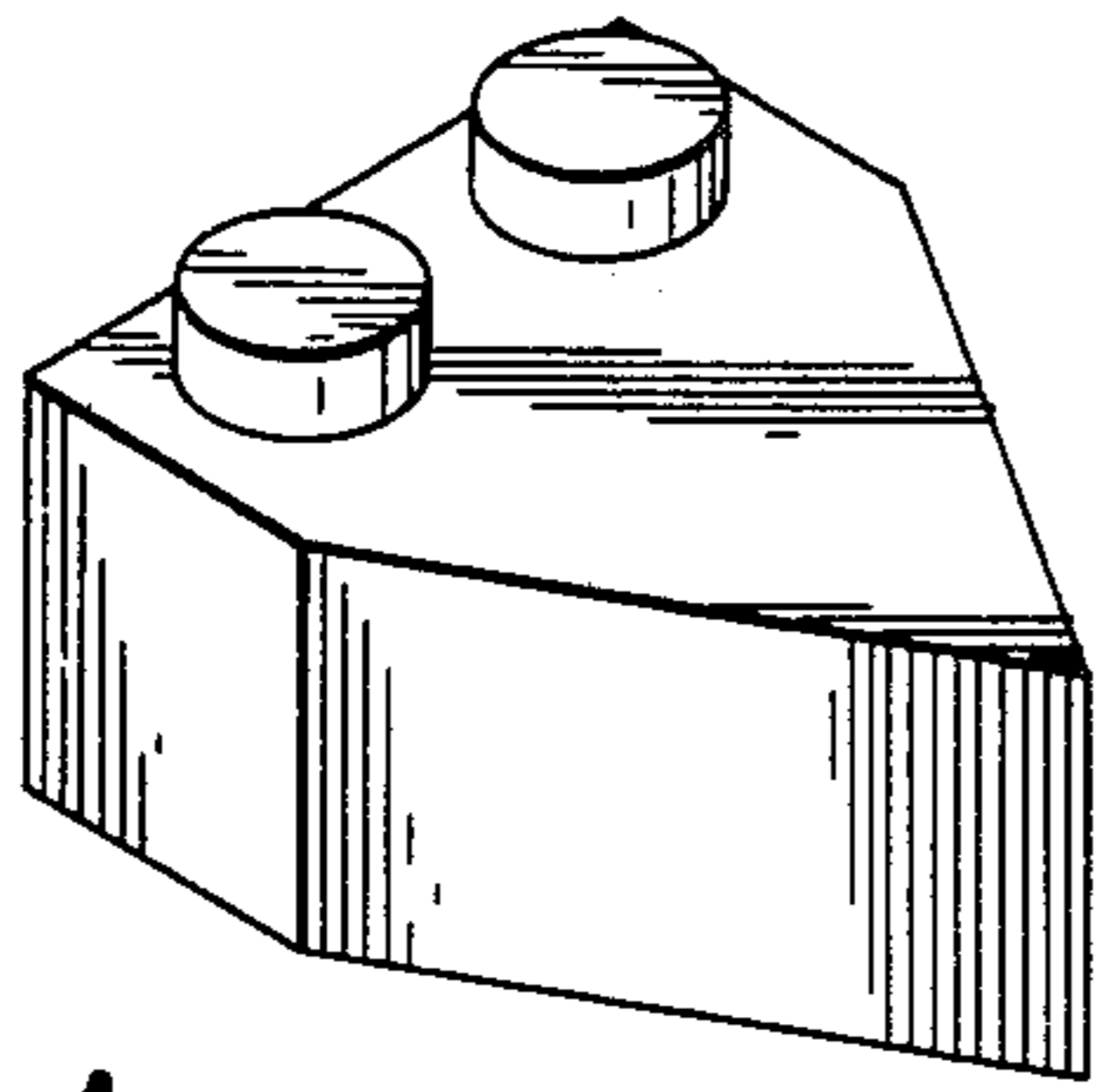


FIG. 1

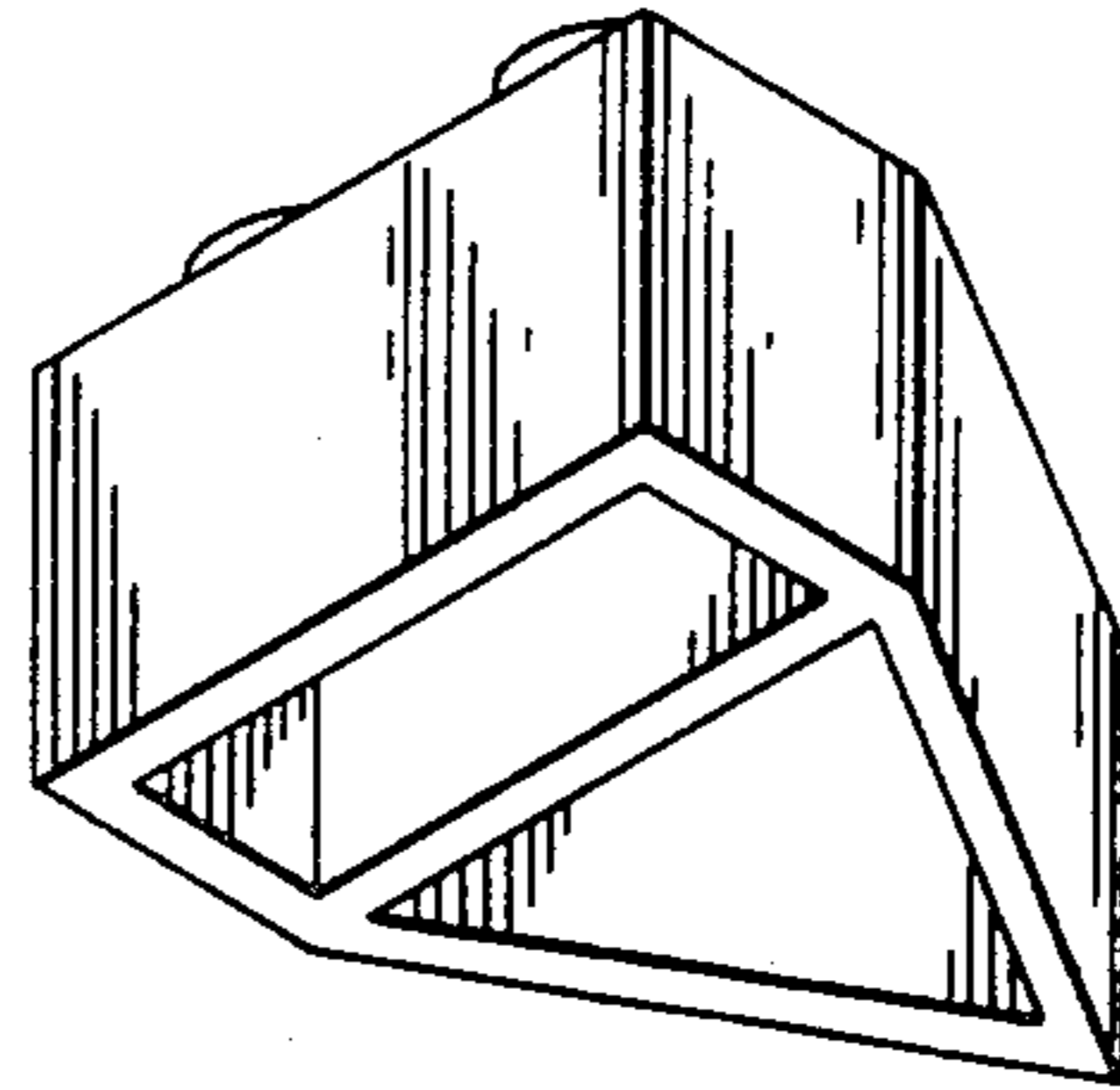


FIG. 2

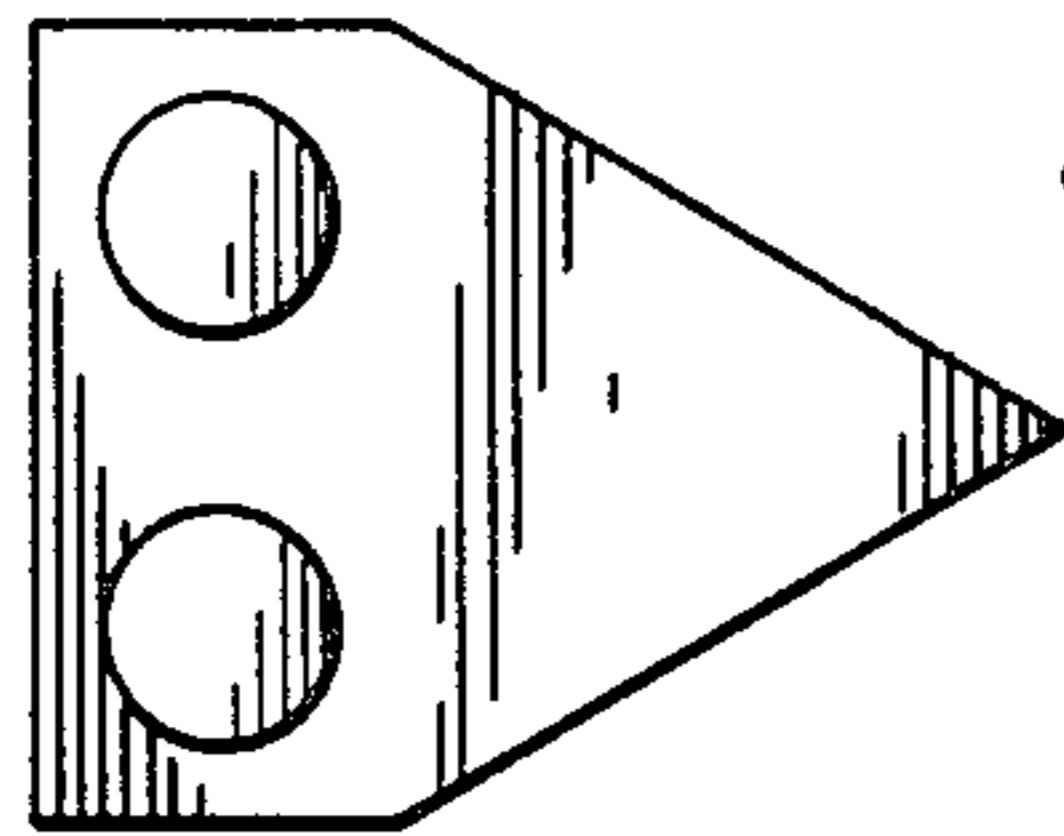


FIG. 3

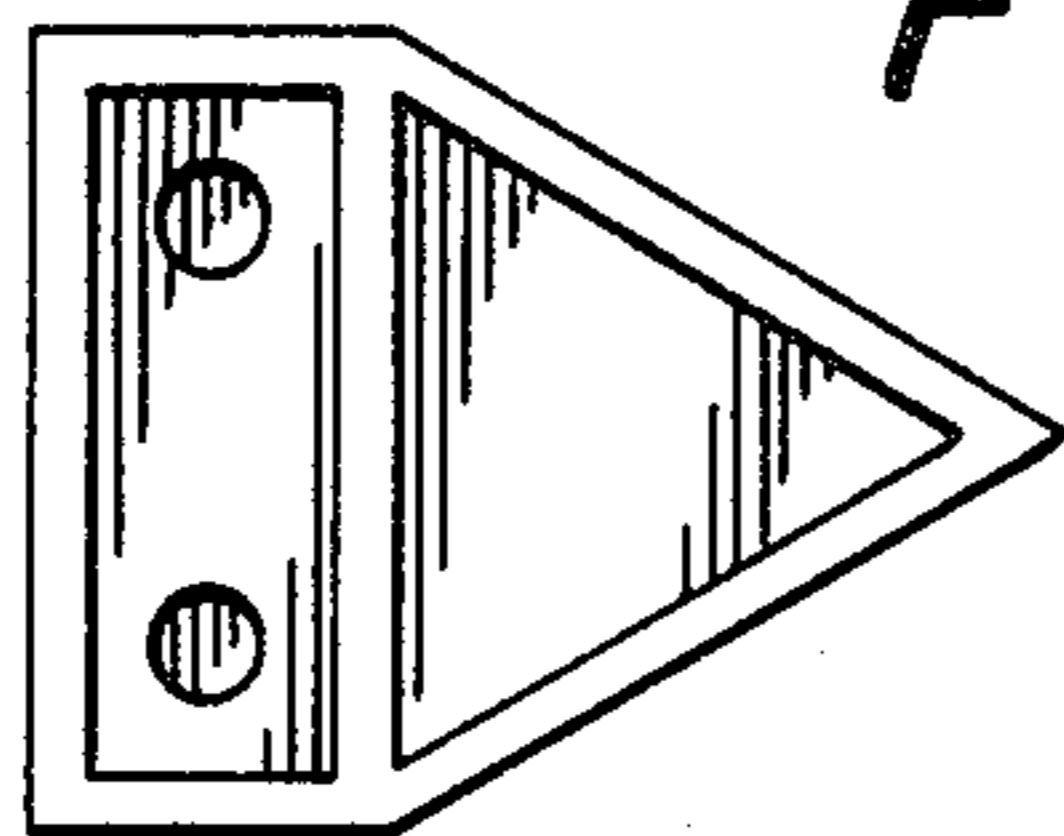


FIG. 4

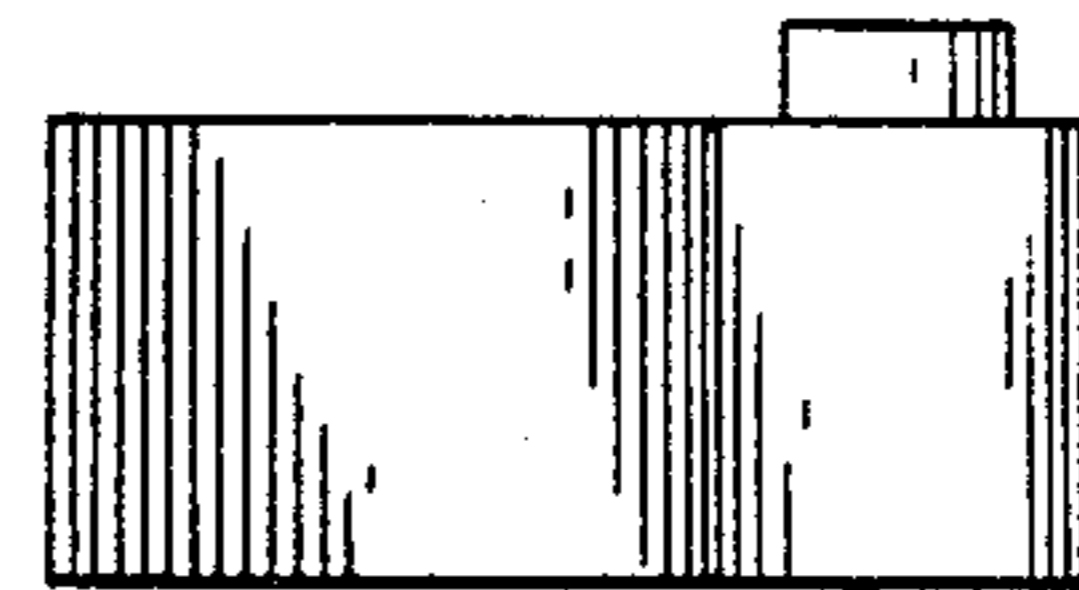


FIG. 5

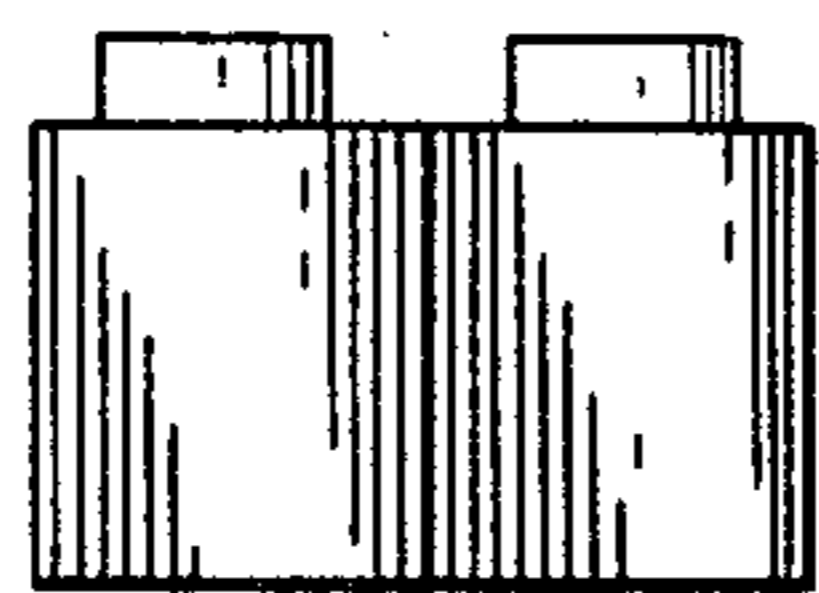


FIG. 6

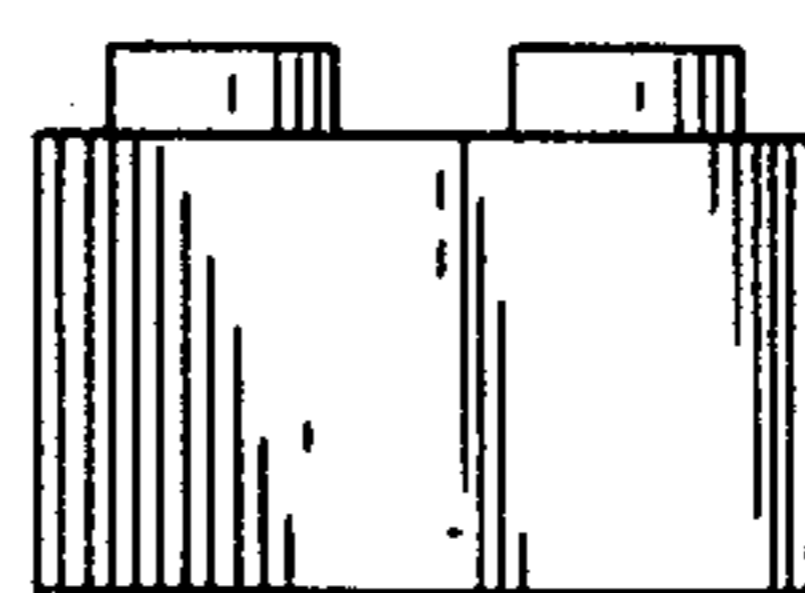


FIG. 7