

[54] LYRE

[76] Inventor: Norbert Visser, Noordlaan 26, 1861 GN Bergen NH, Netherlands

[**] Term: 14 Years

[21] Appl. No.: 521,916

[22] Filed: Aug. 10, 1983

[30] Foreign Application Priority Data

Feb. 18, 1983 [CH] Switzerland DM/002255

[52] U.S. Cl. D17/14

[58] Field of Search D17/14; 84/284, 285

[56] References Cited

U.S. PATENT DOCUMENTS

D. 21,275 1/1892 Judkins D17/14

FOREIGN PATENT DOCUMENTS

85316	8/1921	Austria	84/285
119996	5/1901	Fed. Rep. of Germany	84/285
25488	of 1899	United Kingdom	84/285
20477	of 1906	United Kingdom	84/285

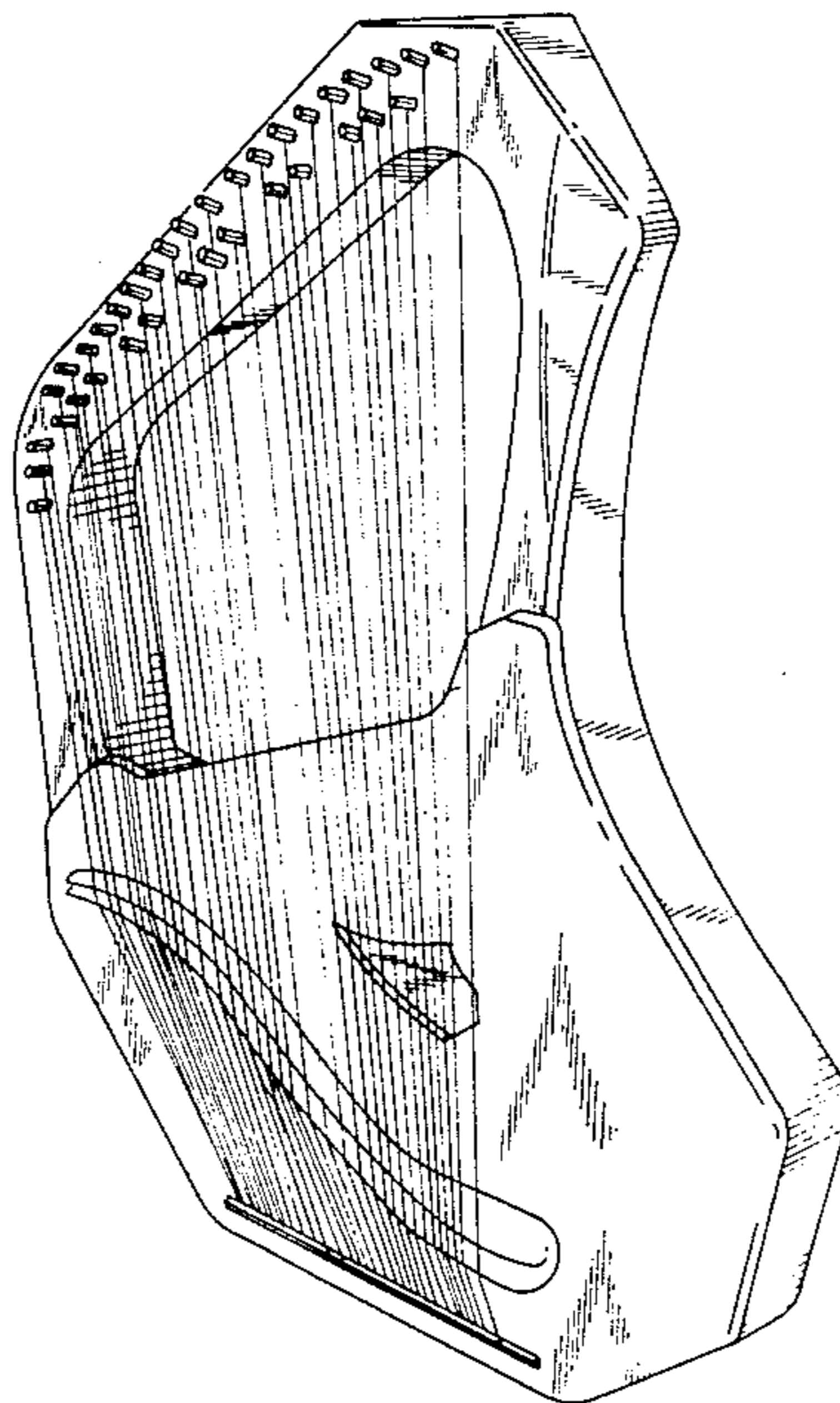
Primary Examiner—Jane E. Corrigan
Attorney, Agent, or Firm—John P. Snyder

[57] CLAIM

The ornamental design for a lyre, as shown and described.

DESCRIPTION

FIG. 1 is a front and right side perspective view of a lyre showing my new design; and FIG. 2 is a front and bottom perspective view. The rear of the lyre is like the front except for the omission of the sound hole, strings, pegs, bridge and tail piece.



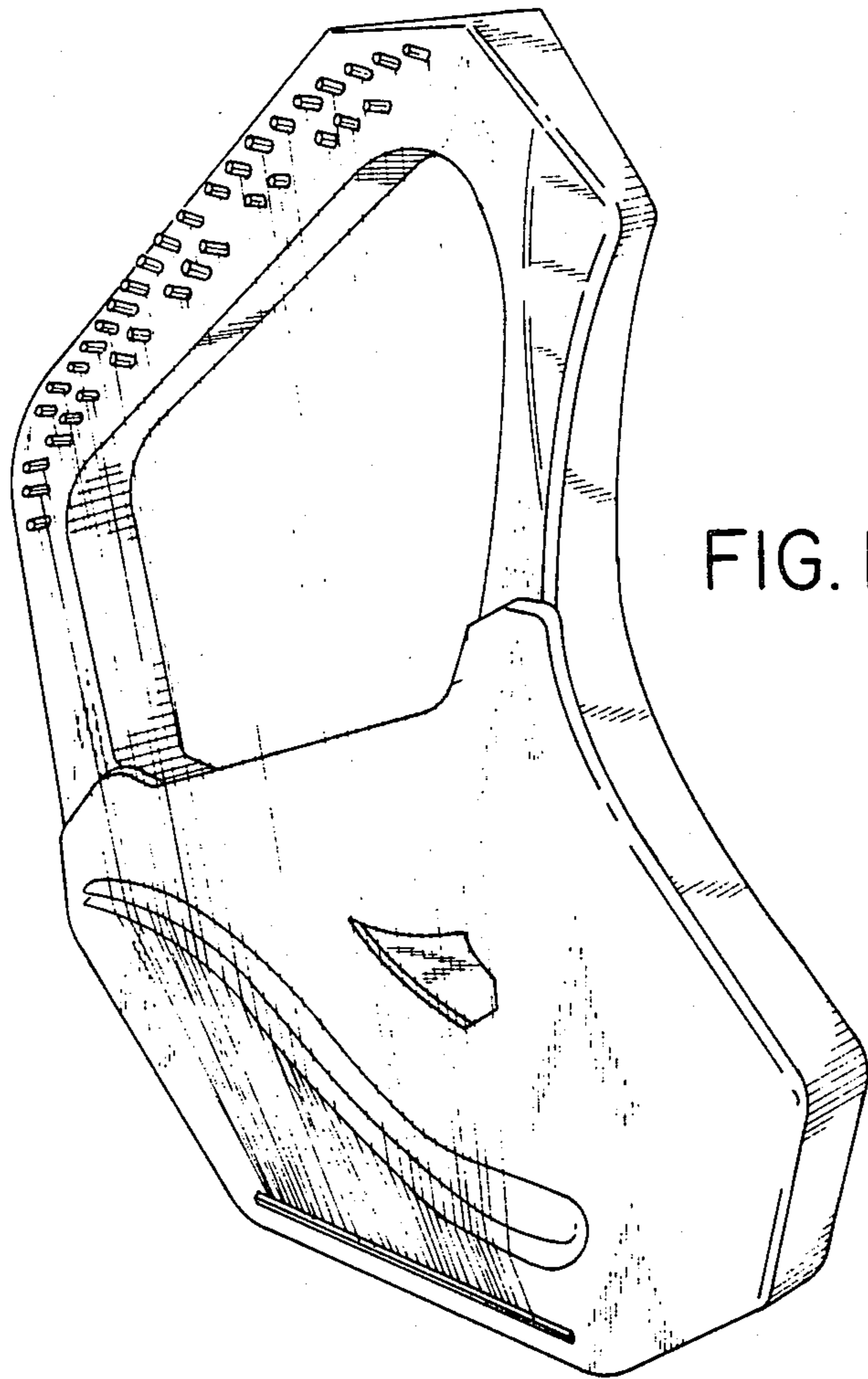


FIG. 1

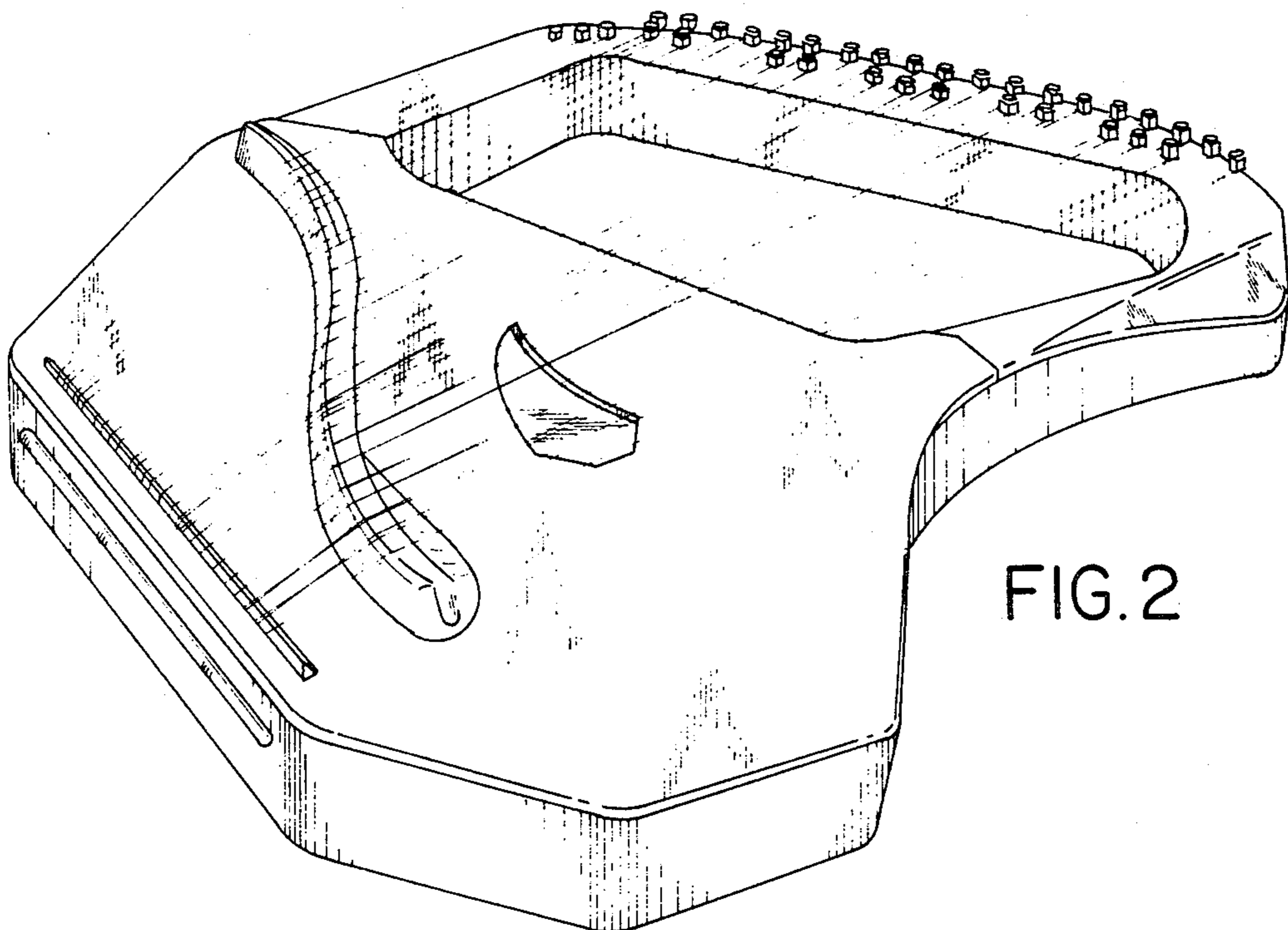


FIG. 2