

United States Patent [19]

Hansen

[11] Patent Number: **Des. 285,087**

[45] Date of Patent: **** Aug. 12, 1986**

[54] CAMERA WITH INTEGRAL FLASH UNIT

[75] Inventor: **David E. Hansen, Fairport, N.Y.**

[73] Assignee: **Eastman Kodak Company,
Rochester, N.Y.**

[**] Term: **14 Years**

[21] Appl. No.: **649,103**

[22] Filed: **Sep. 10, 1984**

[52] U.S. Cl. **D16/6; D16/1**

[58] Field of Search **D16/1-10;
354/145.1, 152 R, 202, 288**

[56] **References Cited**

U.S. PATENT DOCUMENTS

D. 223,409	4/1972	Fukuda	D16/6
D. 267,954	2/1983	Sawara	D16/6
D. 268,416	3/1983	Rubner	D16/6
D. 271,880	12/1983	Agou	D16/1
D. 271,881	12/1983	Kato	D16/6

D. 273,498	4/1984	Arnott	D16/6
3,169,708	2/1965	D'Incerti	D16/6 X
4,319,818	3/1982	Sawara	354/145.1
4,350,420	9/1982	Engelsmann	354/145.1

Primary Examiner—Nelson C. Holtje
Attorney, Agent, or Firm—Roger A. Fields

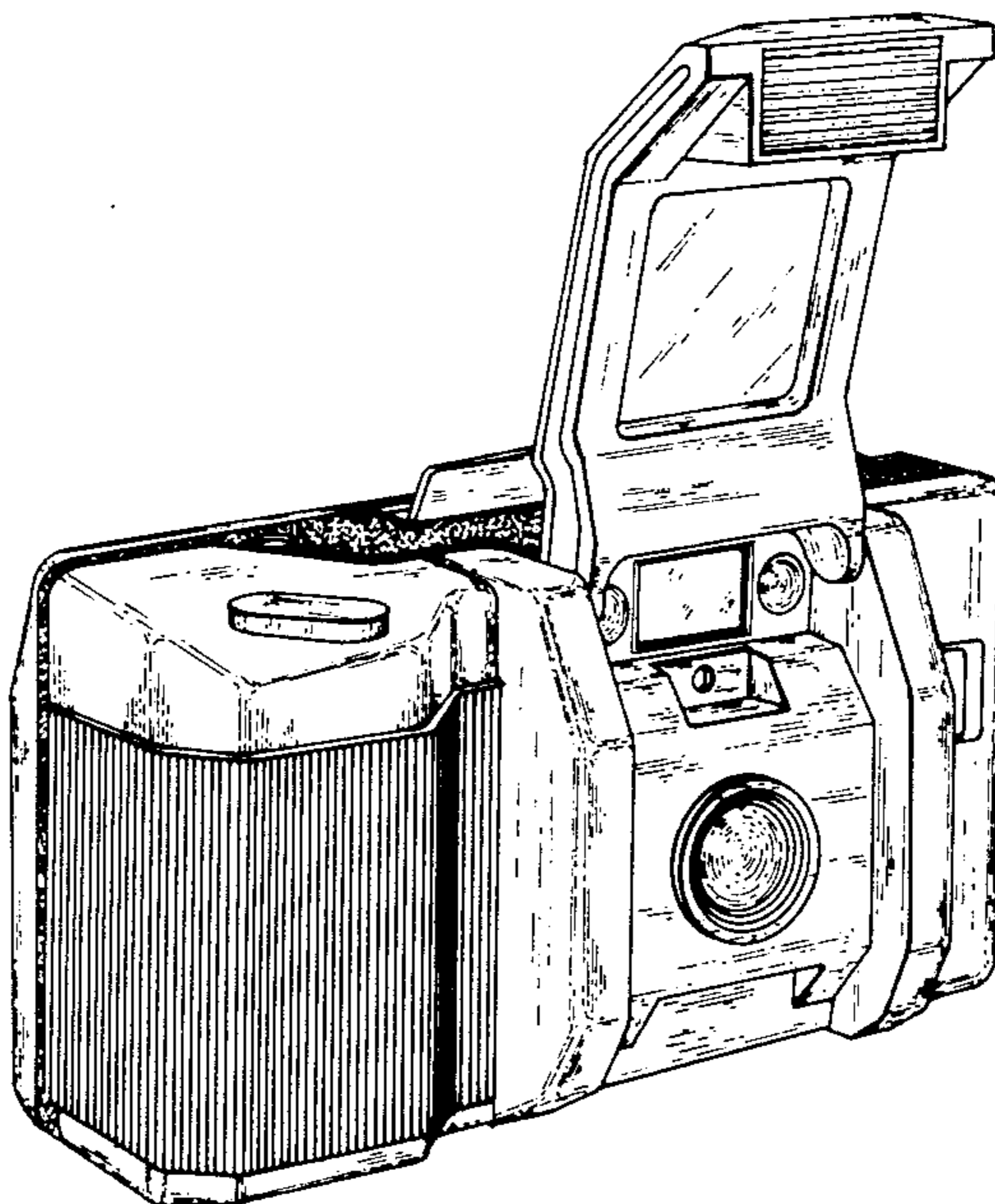
[57] **CLAIM**

The ornamental design for a camera with integral flash unit, substantially as shown.

DESCRIPTION

FIG. 1 is a top and left front perspective view of a camera with integral flash unit showing my new design; FIG. 2 is a top and right rear perspective view thereof; FIG. 3 is a top and right front perspective view thereof; FIG. 4 is a bottom and left front perspective view thereof;

FIG. 5 is a top and left front perspective view thereof with the flash unit in an open-for-use position; and FIG. 6 is a top and right rear perspective view thereof with the flash unit in the open-for-use position.



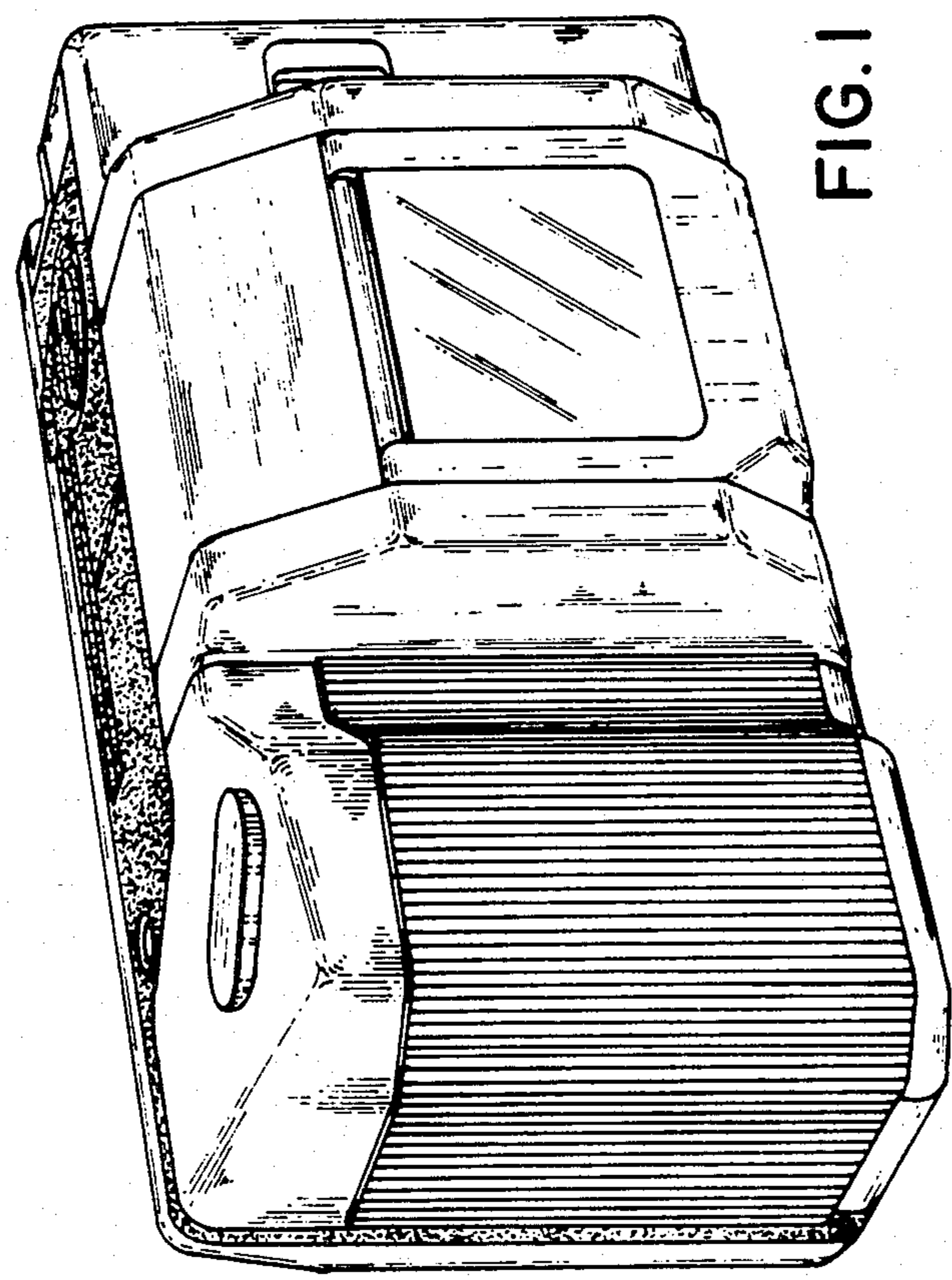


FIG. 1

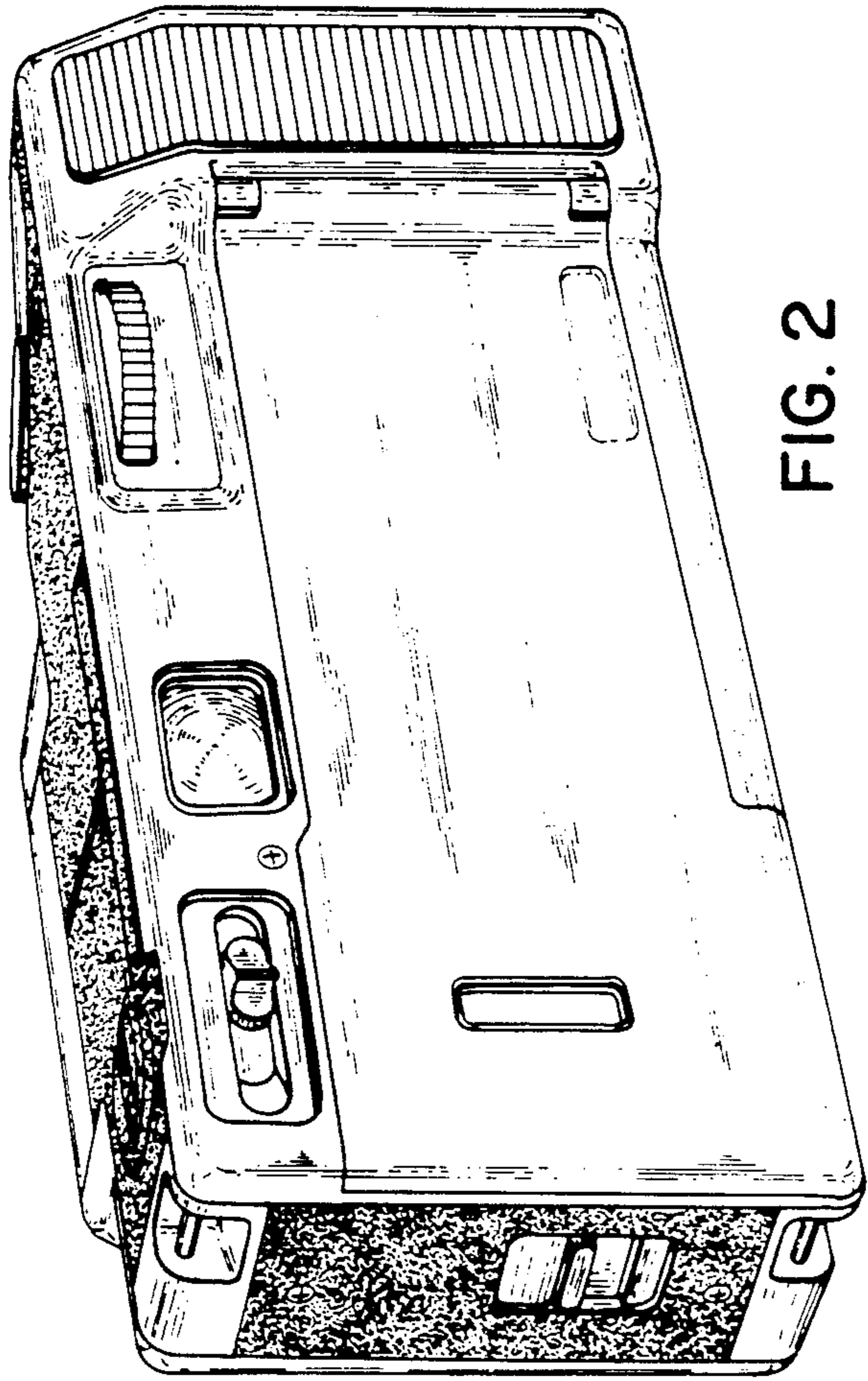


FIG. 2

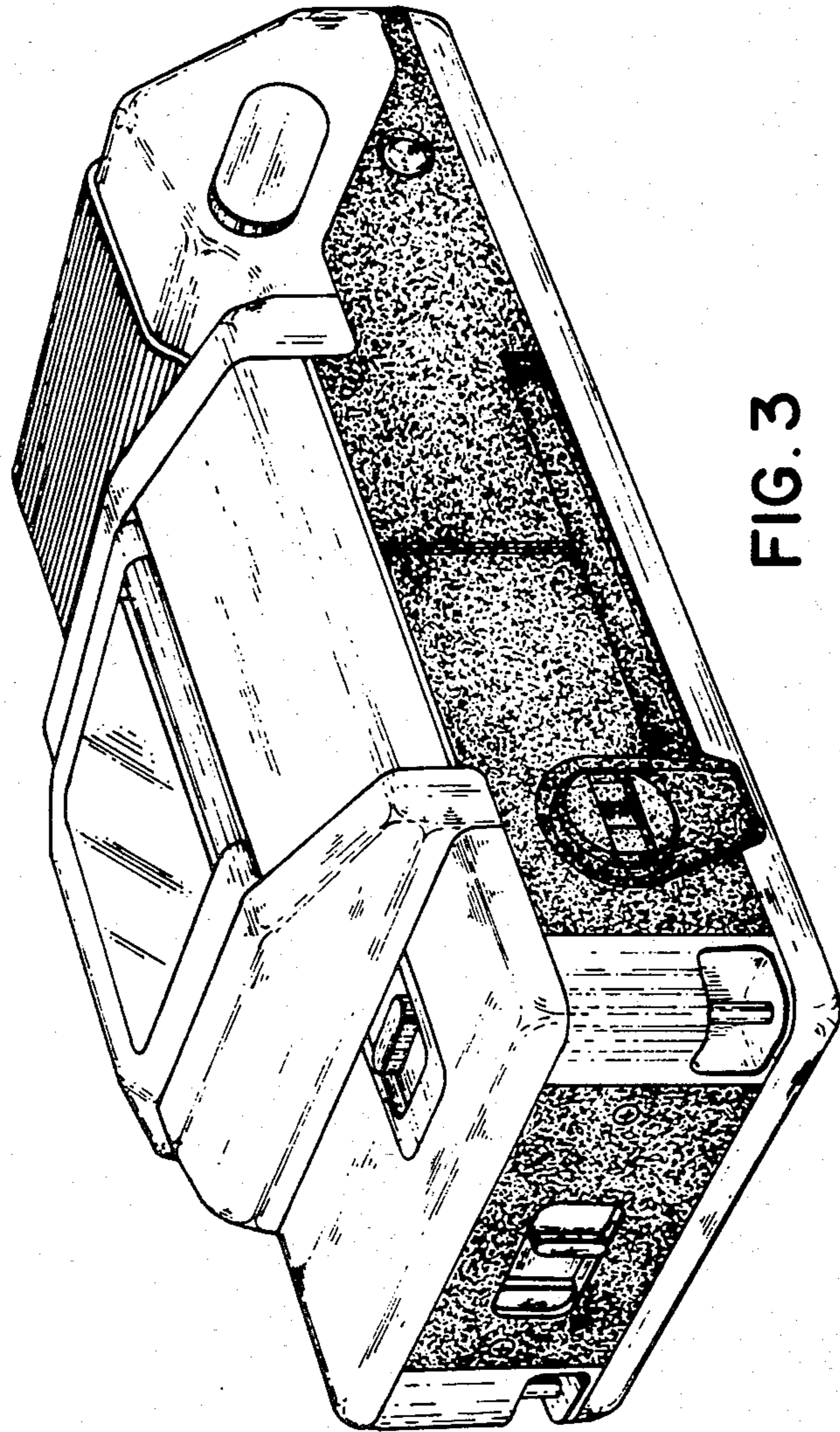


FIG. 3

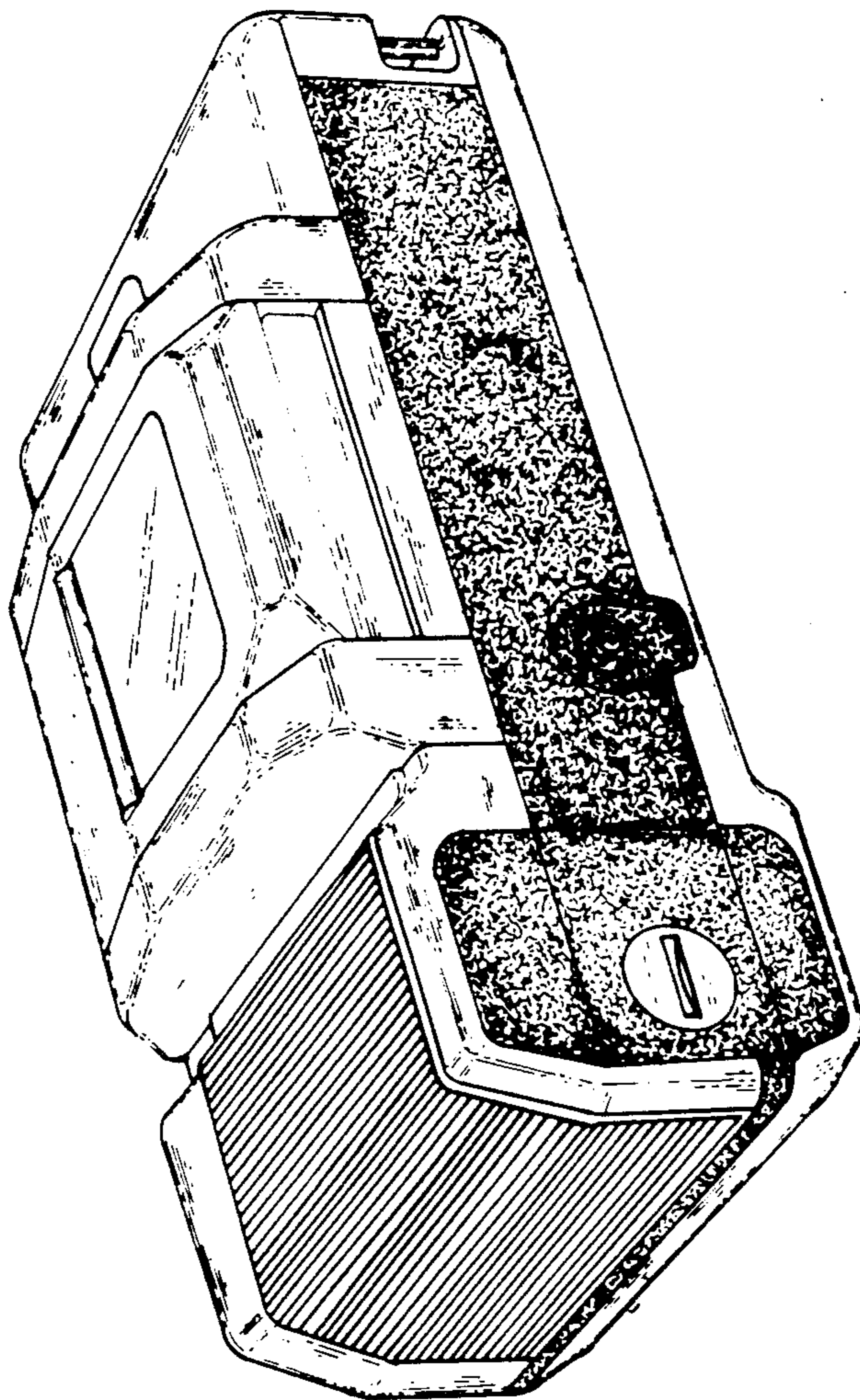


FIG. 4

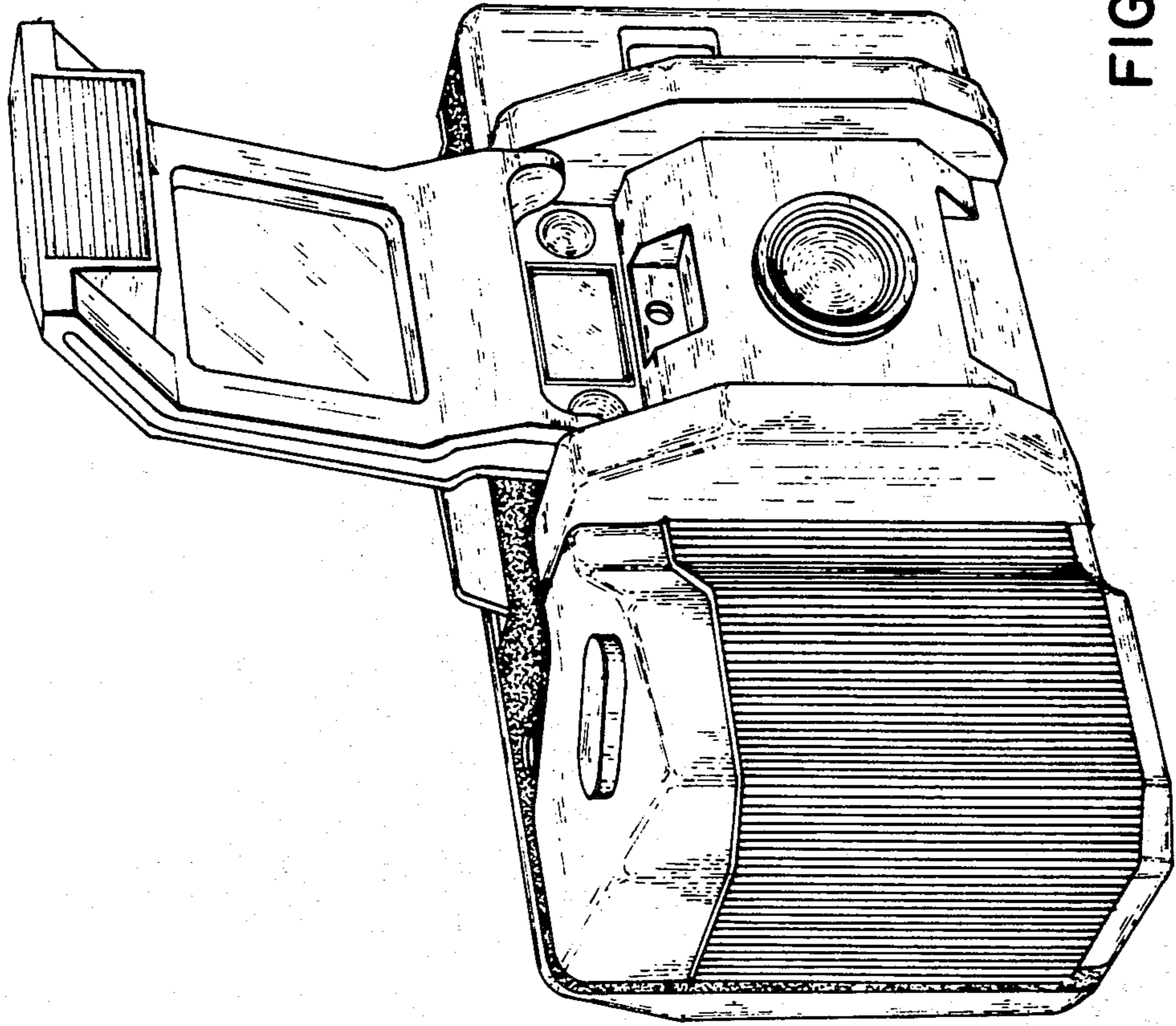


FIG. 5

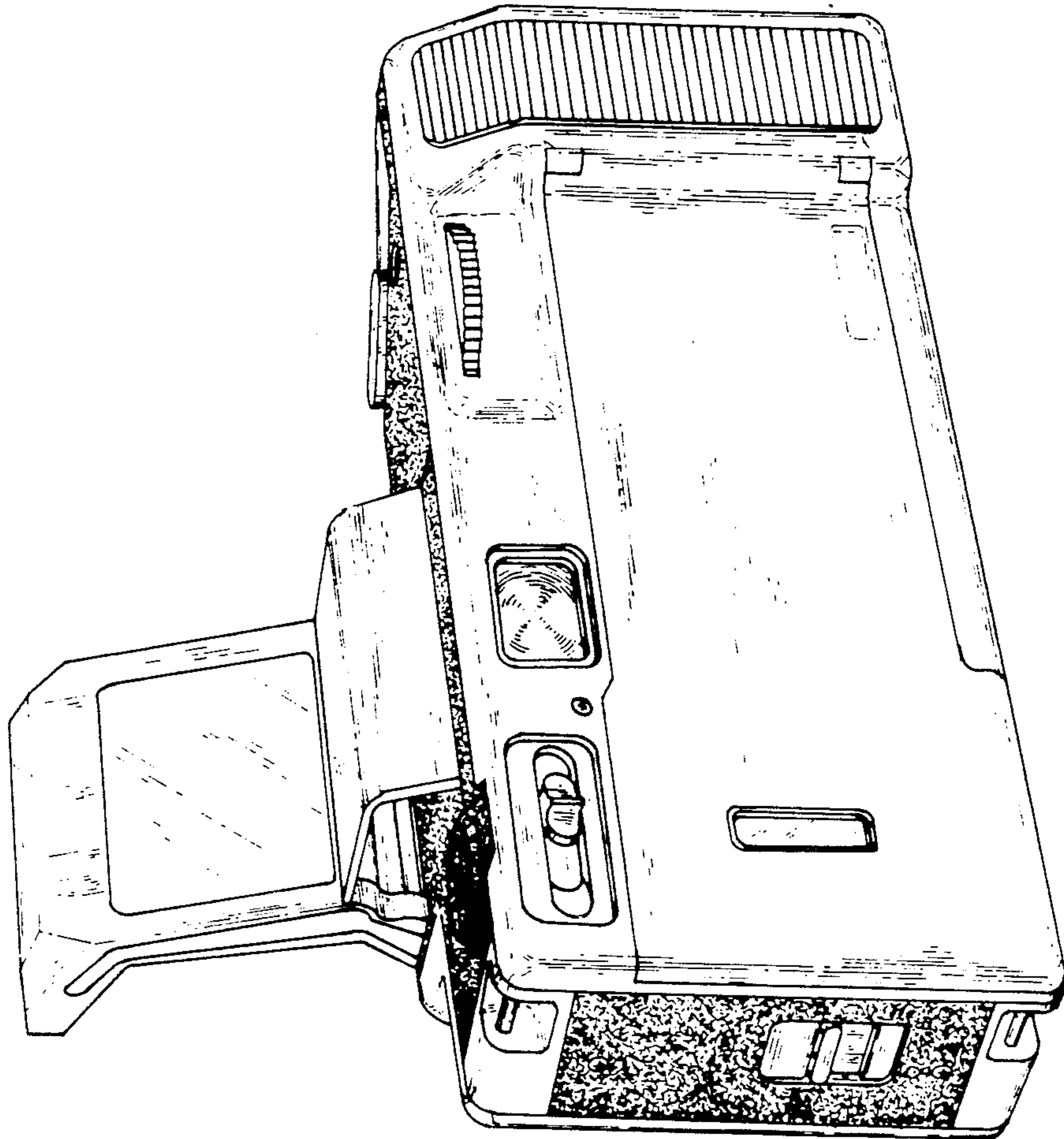


FIG. 6