

[54] **PHOTOGRAPHIC CAMERA**

[75] Inventor: **Toshio Kotake**, Kyoto, Japan
[73] Assignee: **Kyocera Corporation**, Kyoto, Japan
[**] Term: **14 Years**
[21] Appl. No.: **599,025**
[22] Filed: **Apr. 11, 1984**

[30] **Foreign Application Priority Data**

Oct. 11, 1983 [JP] Japan 58-44110
[52] U.S. Cl. **D16/5; D16/1**
[58] **Field of Search** **D16/1-10,**
D16/5; 354/145.1, 149.11, 287, 288, 187-194,
202, 152-158

[56] **References Cited**

U.S. PATENT DOCUMENTS

D. 252,399	7/1979	Waaske	D16/5
D. 257,850	1/1981	Matsumoto	D16/6
D. 263,961	4/1982	Lange	D16/6
D. 277,867	3/1985	Io	D16/6
D. 279,573	7/1985	Agou	D16/1
4,264,172	4/1981	Miyagawa	354/187

FOREIGN PATENT DOCUMENTS

2902600 7/1980 Fed. Rep. of Germany 354/187

OTHER PUBLICATIONS

Popular Photography-6/83-p. 73, camera at top left.

Primary Examiner—Nelson C. Holtje
Attorney, Agent, or Firm—Sughrue, Mion, Zinn,
Macpeak and Seas

[57] **CLAIM**

The ornamental design for a photographic camera, as shown and described.

DESCRIPTION

FIG. 1 is a front elevational view of a photographic camera showing my new design;
FIG. 2 is a rear elevational view thereof;
FIG. 3 is a top plan view thereof;
FIG. 4 is a bottom plan view thereof;
FIG. 5 is a left side elevational view thereof;
FIG. 6 is a right side elevational view thereof;
FIG. 7 is a front, top and left side perspective view thereof; and
FIG. 8 is a front, top and left side perspective view thereof with lens system retracted and hinged lens cover closed.

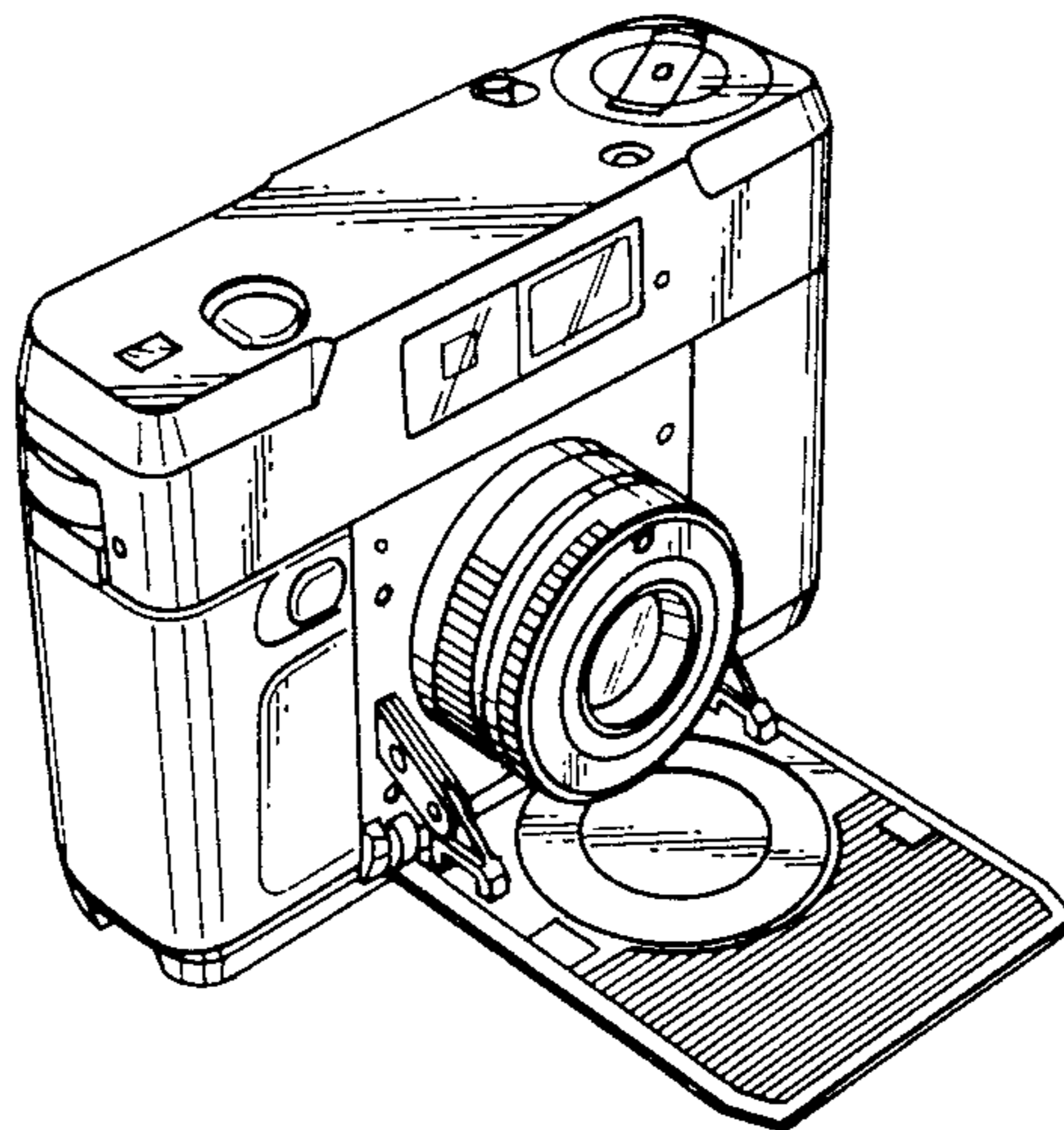


Fig. 1

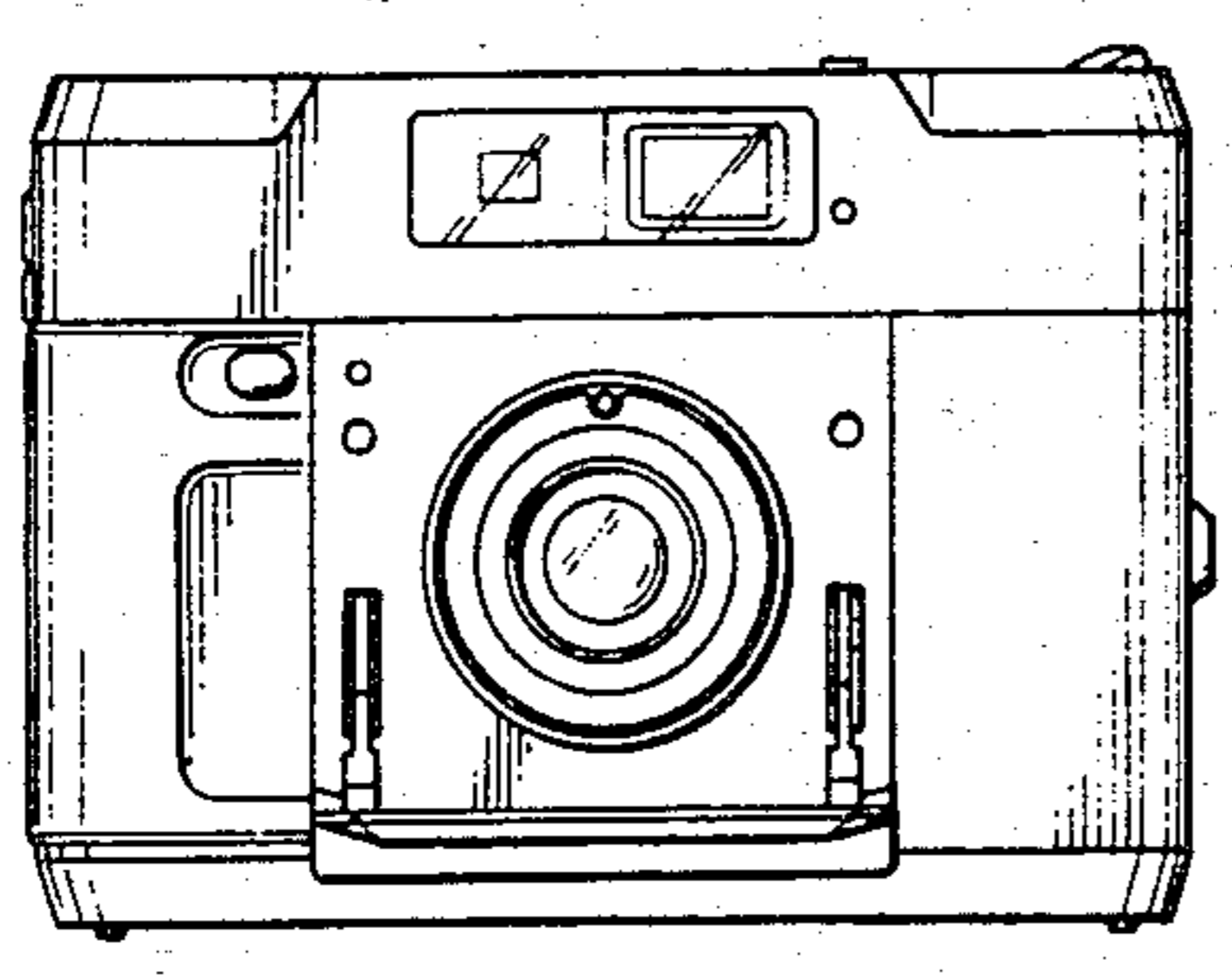


Fig. 2

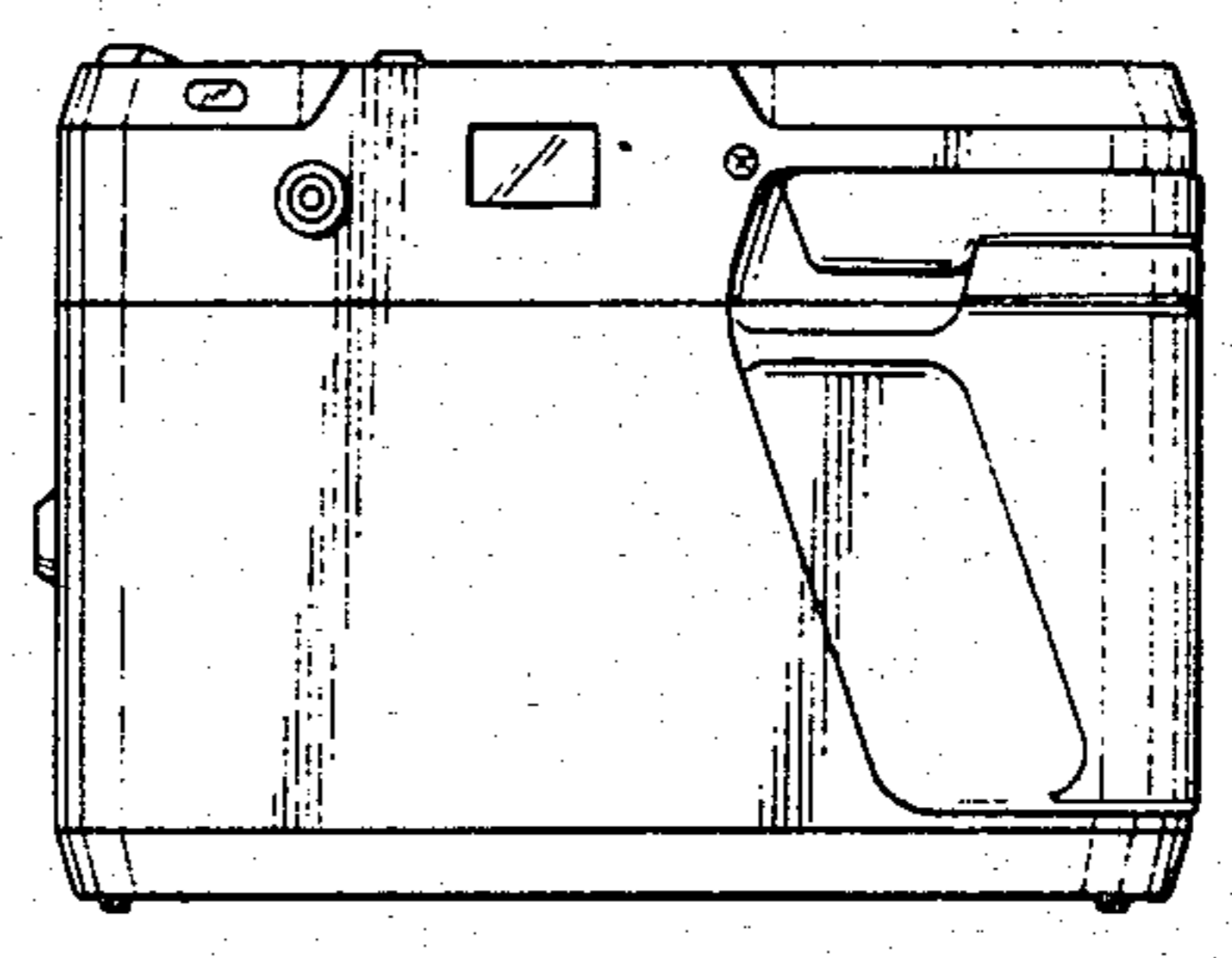


Fig. 3

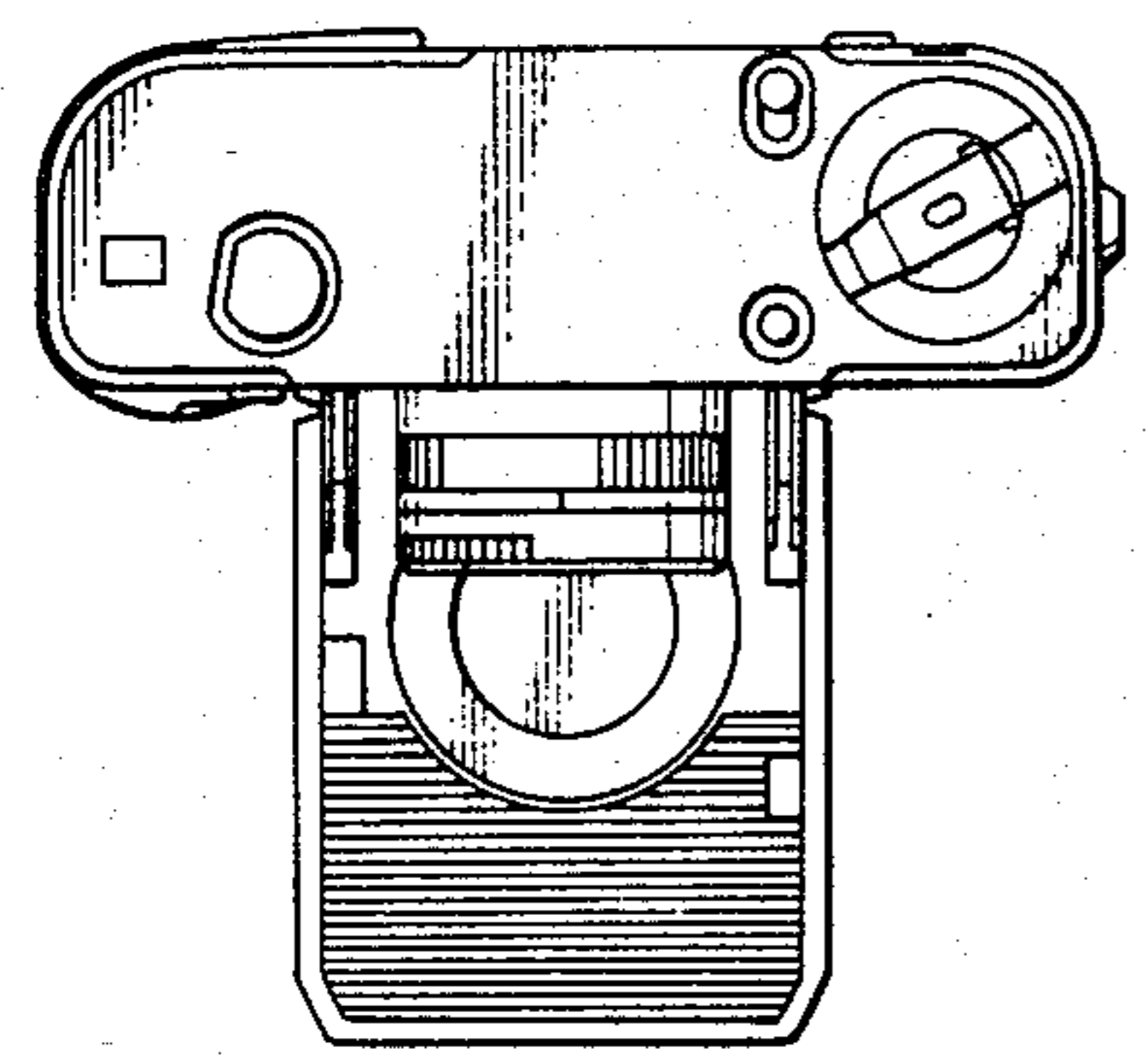


Fig. 4

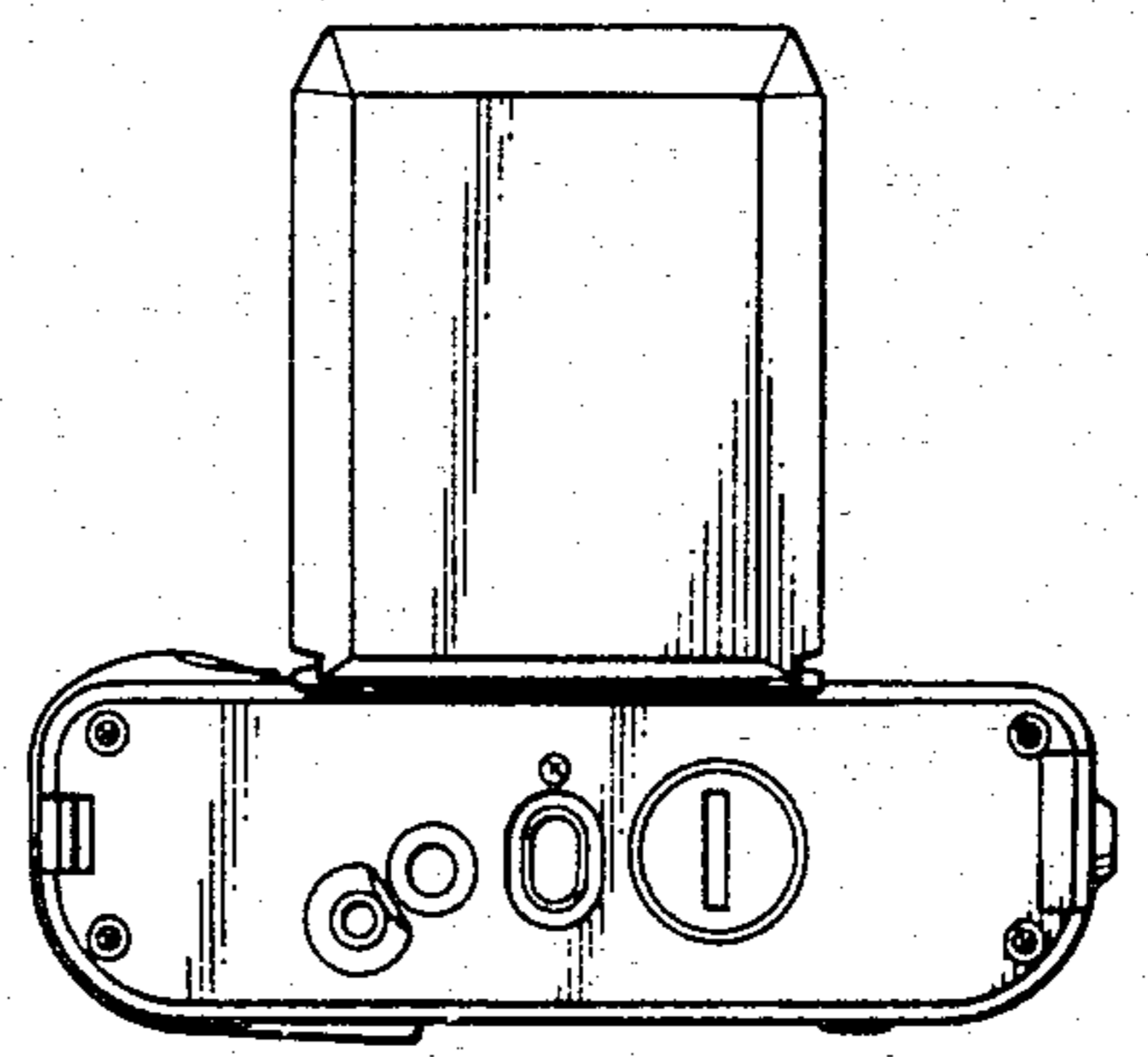


Fig. 5

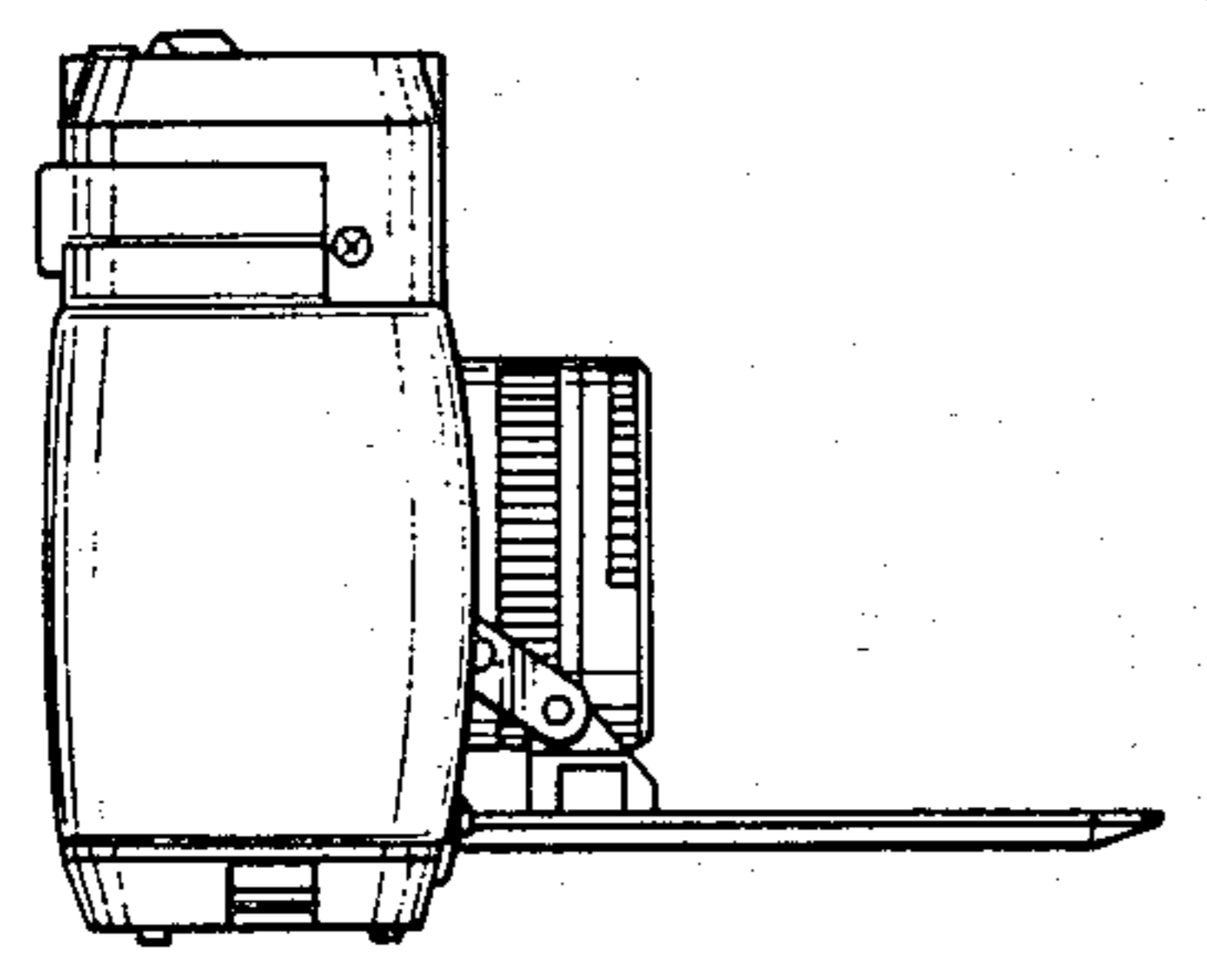


Fig. 6

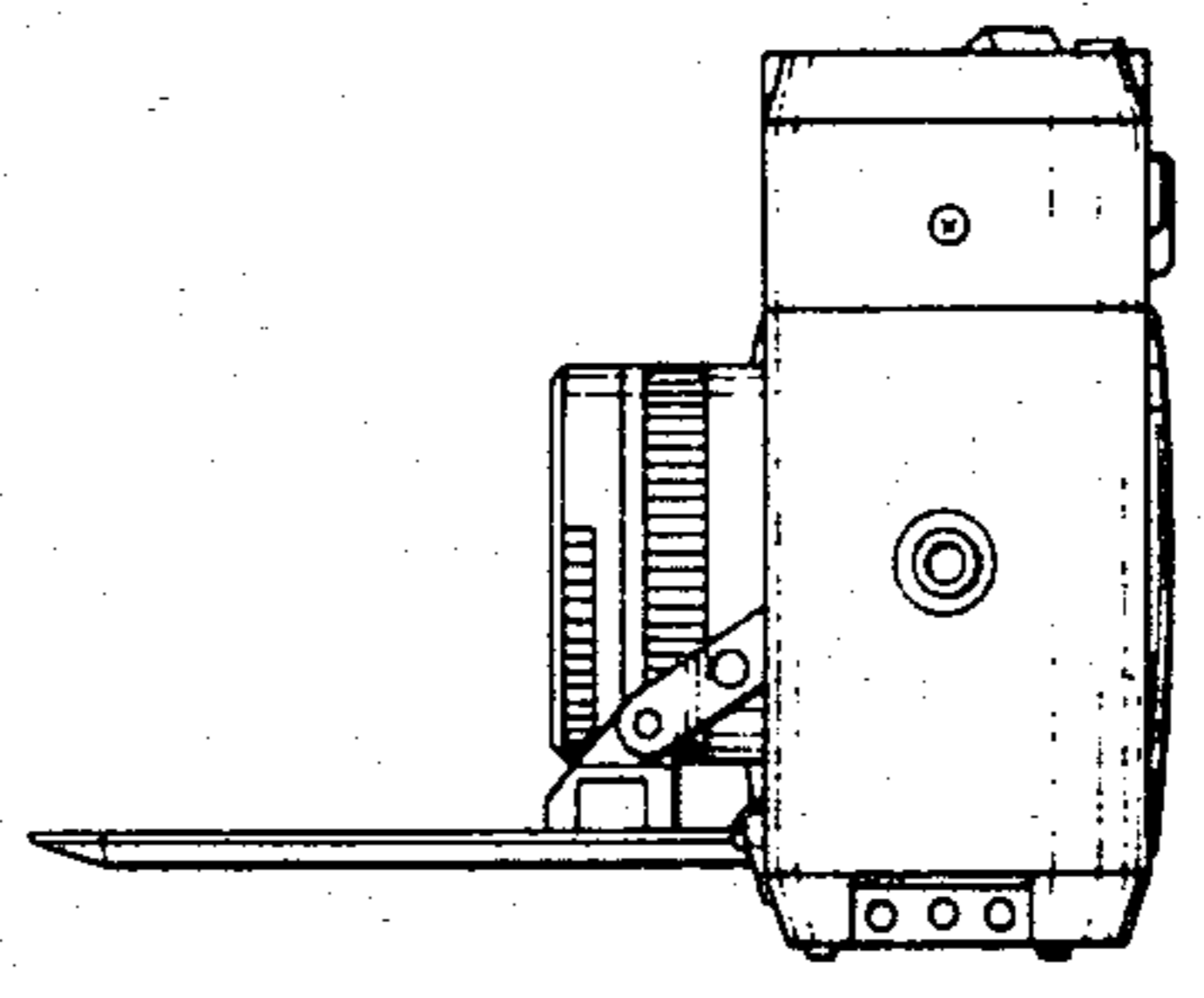


Fig. 7

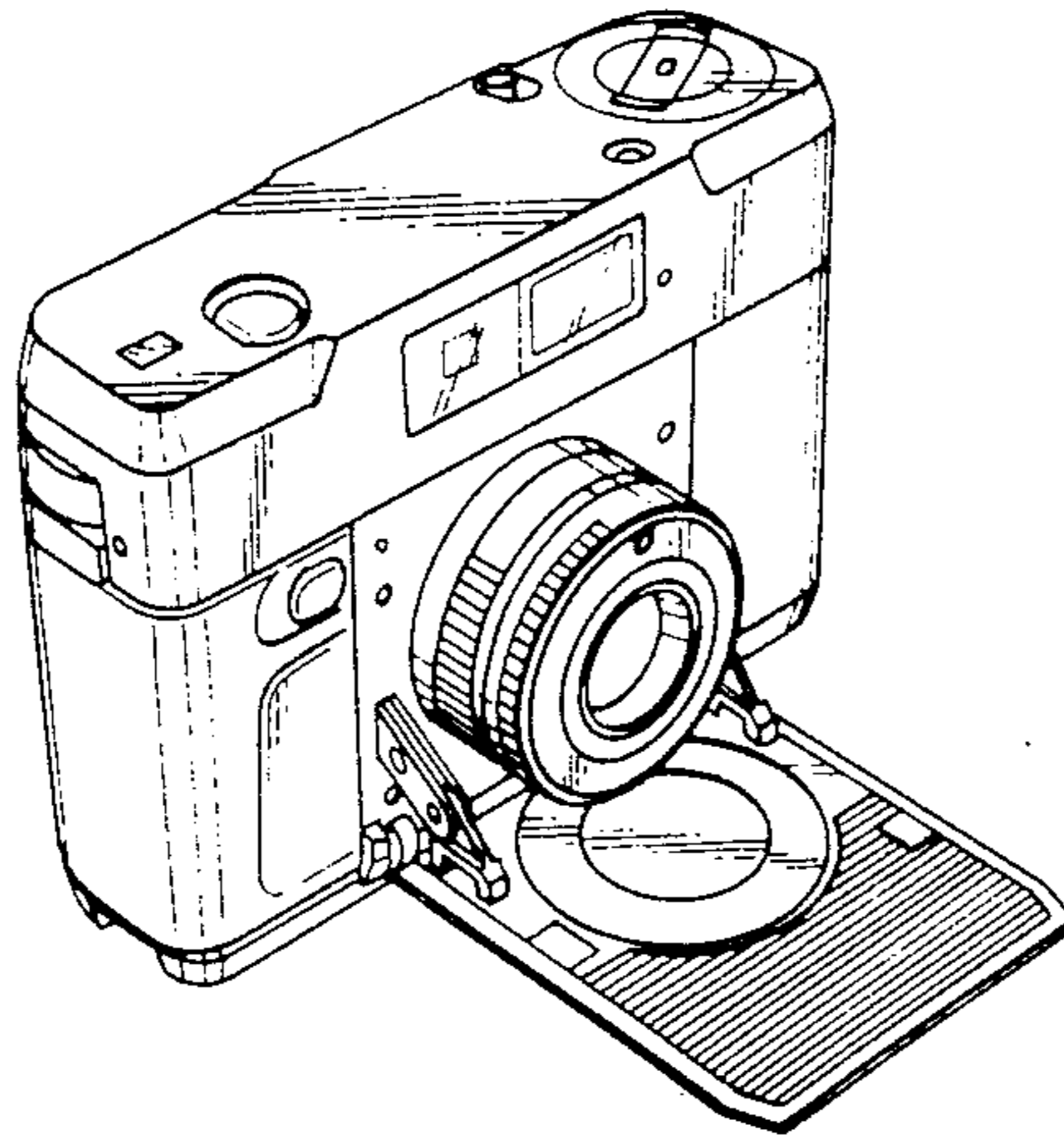


Fig. 8

