

[54] **ELECTRIC PLANER**  
[75] **Inventor: Kouichi Miyamoto, Hiroshima, Japan**  
[73] **Assignee: Ryobi Ltd., Hiroshima, Japan**  
[\*\*] **Term: 14 Years**  
[21] **Appl. No.: 629,021**  
[22] **Filed: Jul. 9, 1984**  
[30] **Foreign Application Priority Data**

Feb. 8, 1984 [JP] Japan ..... 59-4383

[52] **U.S. Cl. .... D15/127**

[58] **Field of Search ..... D15/127; 144/114 R,  
144/117 R, 118, 119 R, 120**

[56] **References Cited**

**U.S. PATENT DOCUMENTS**

D. 266,766 11/1982 Lawson ..... D15/127  
D. 276,616 12/1984 Legler et al. .... D15/127  
2,792,036 5/1957 Buttke ..... 144/114 R

2,908,301 10/1959 Baumbach et al. .... 144/117 R  
3,291,170 12/1966 Nishimura ..... 144/117 R  
3,545,140 12/1970 Jones ..... 144/117 R  
3,718,168 2/1973 Berends ..... 144/117 R  
4,436,126 3/1984 Lawson ..... 144/117 R

*Primary Examiner*—B. J. Bullock  
*Attorney, Agent, or Firm*—Sughrue, Mion, Zinn,  
Macpeak & Seas

[57] **CLAIM**

The ornamental design for an electric planer, as shown.

**DESCRIPTION**

FIG. 1 is a front, top and left side perspective view of an electric planer showing my new design;  
FIG. 2 is a front elevational view thereof;  
FIG. 3 is a rear elevational view thereof;  
FIG. 4 is a top plan view thereof;  
FIG. 5 is a bottom plan view thereof;  
FIG. 6 is a left side elevational view thereof; and  
FIG. 7 is a right side elevational view thereof.

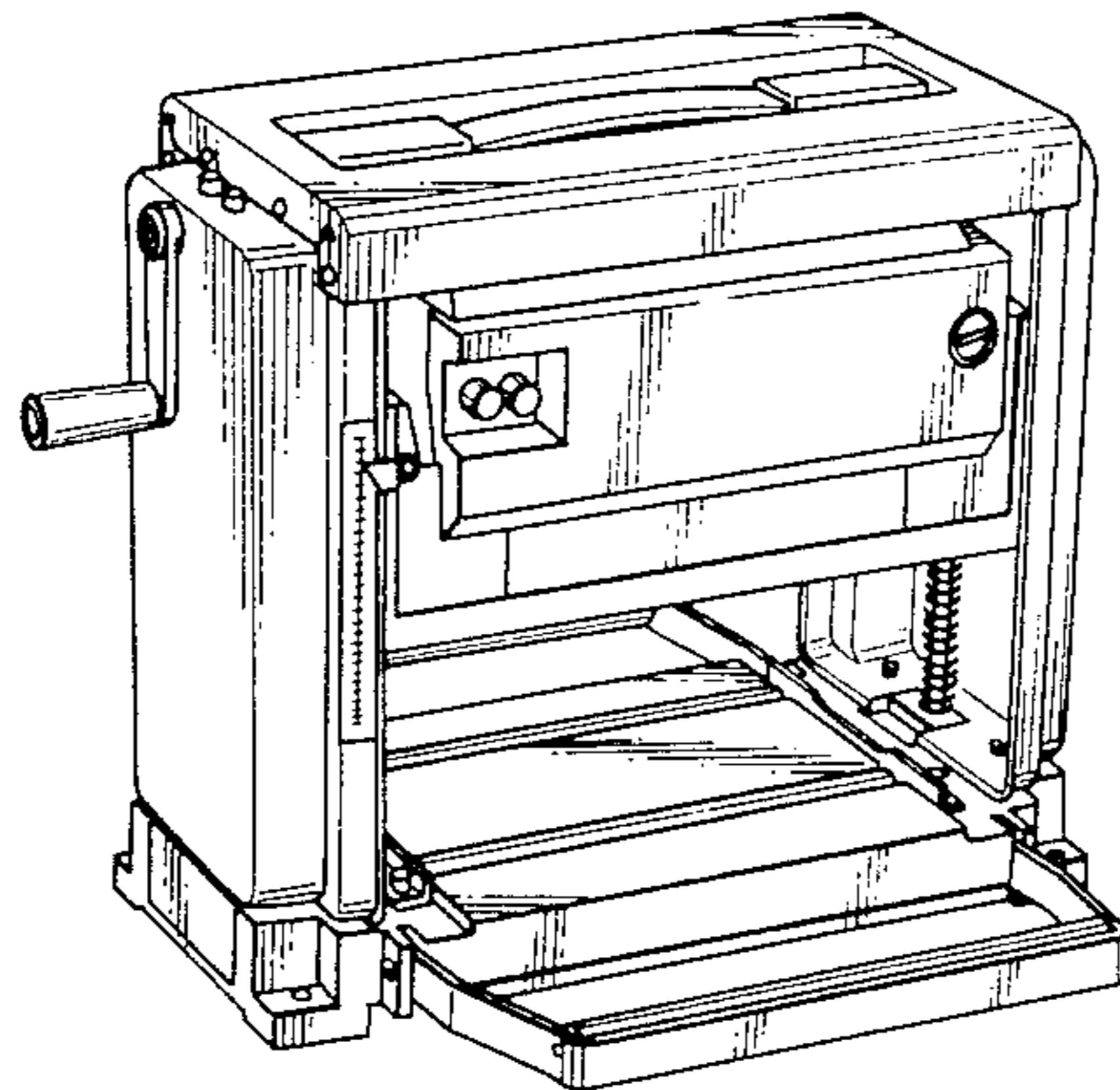


Fig. 1

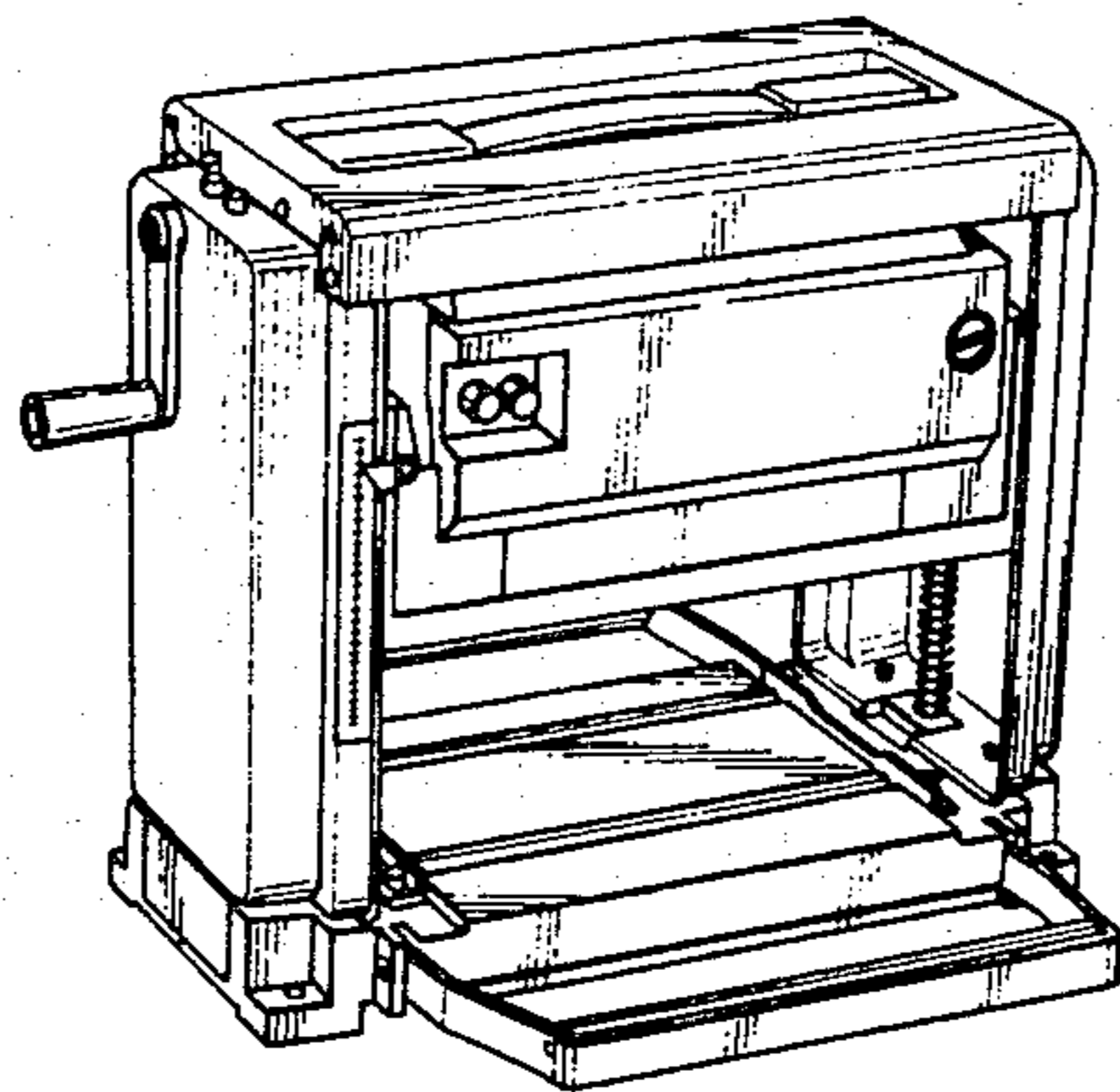


Fig. 2

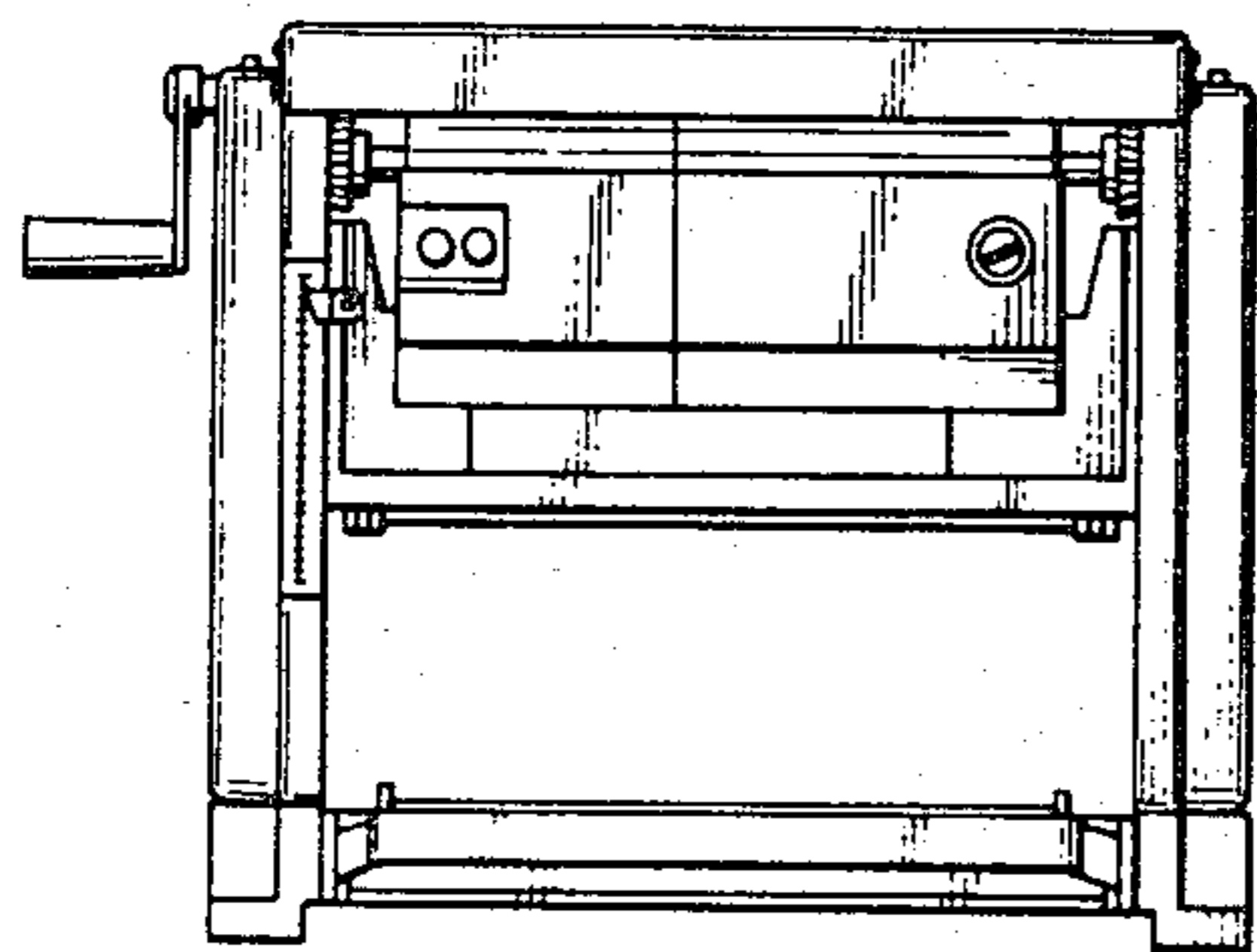
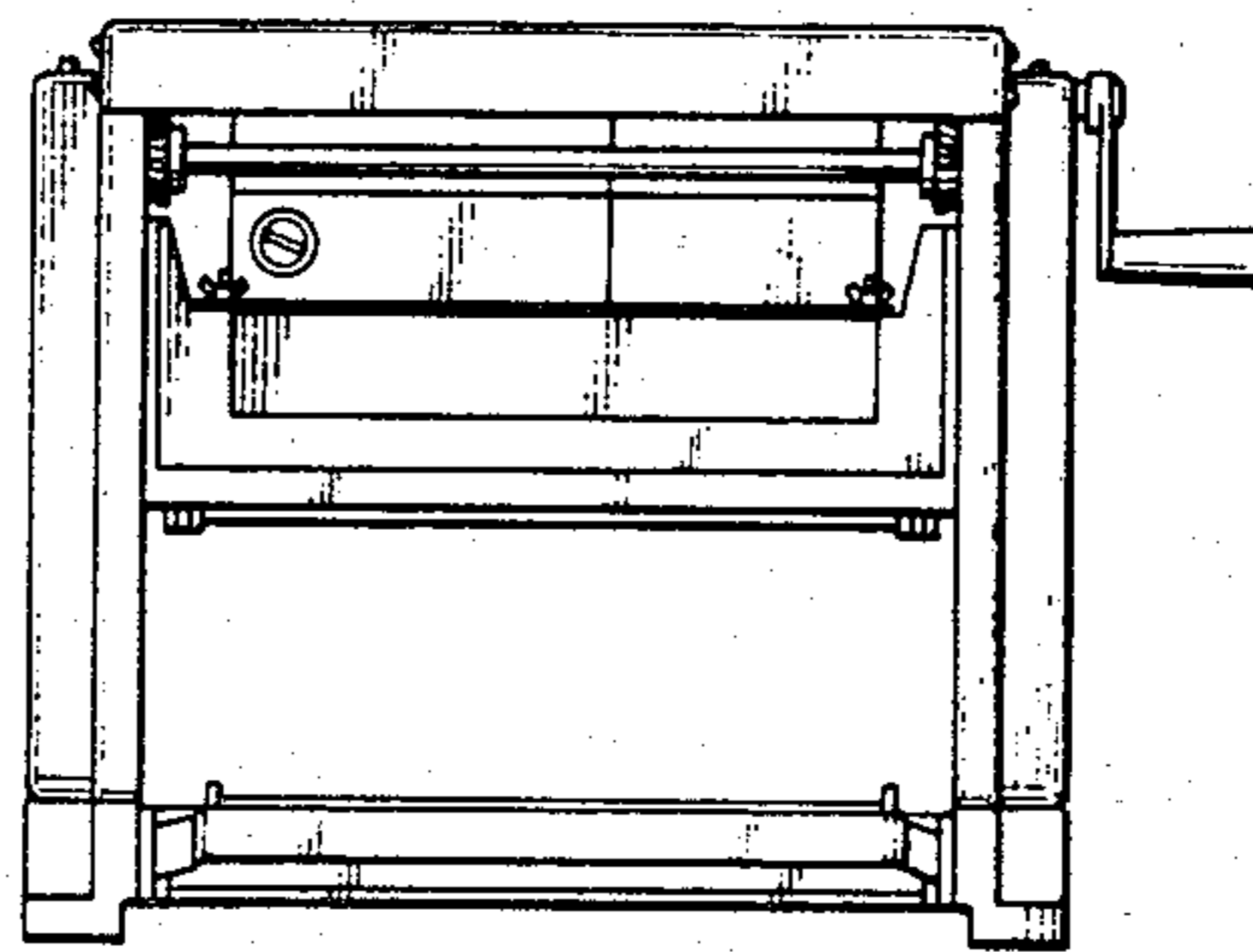
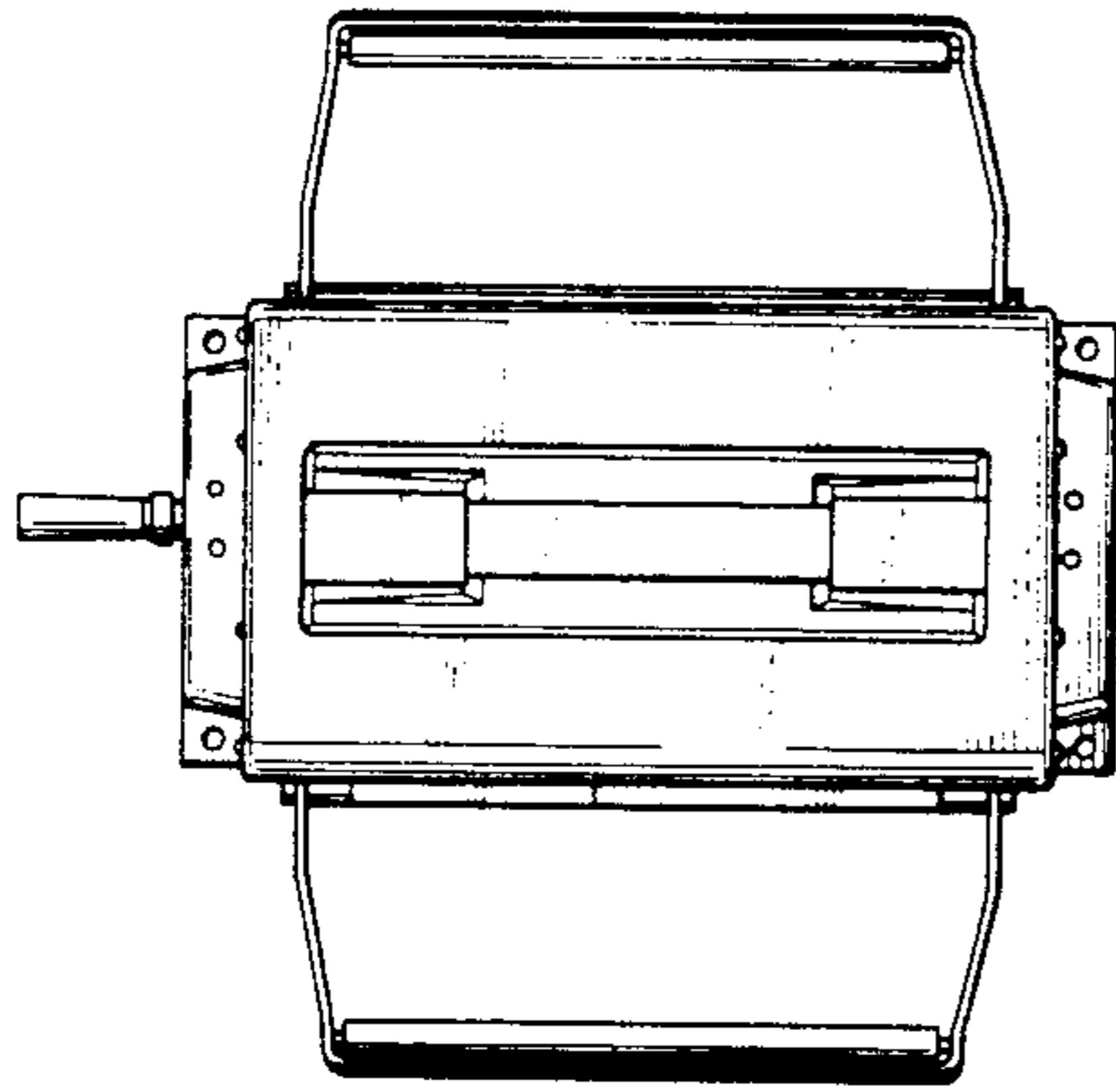


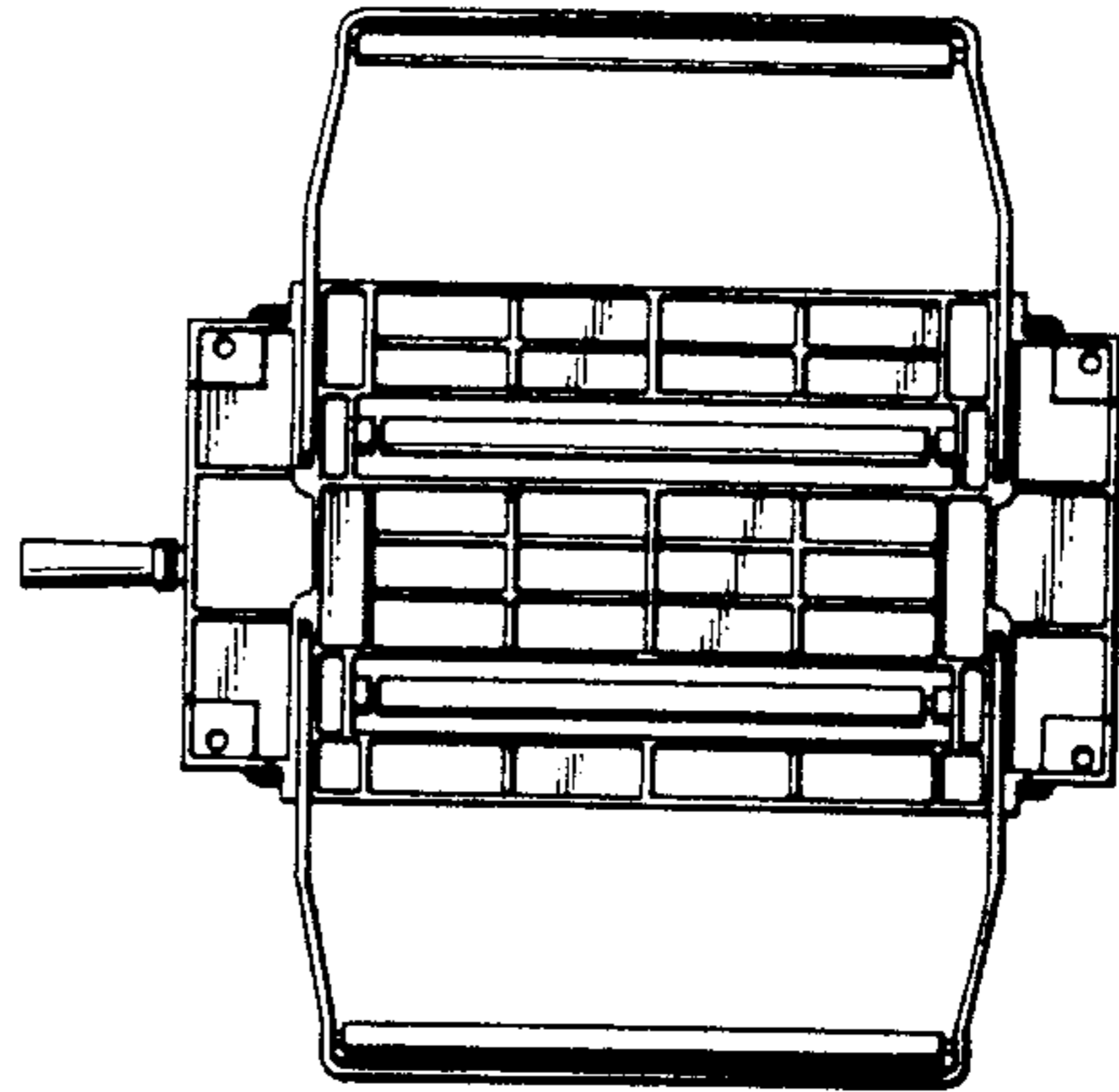
Fig. 3



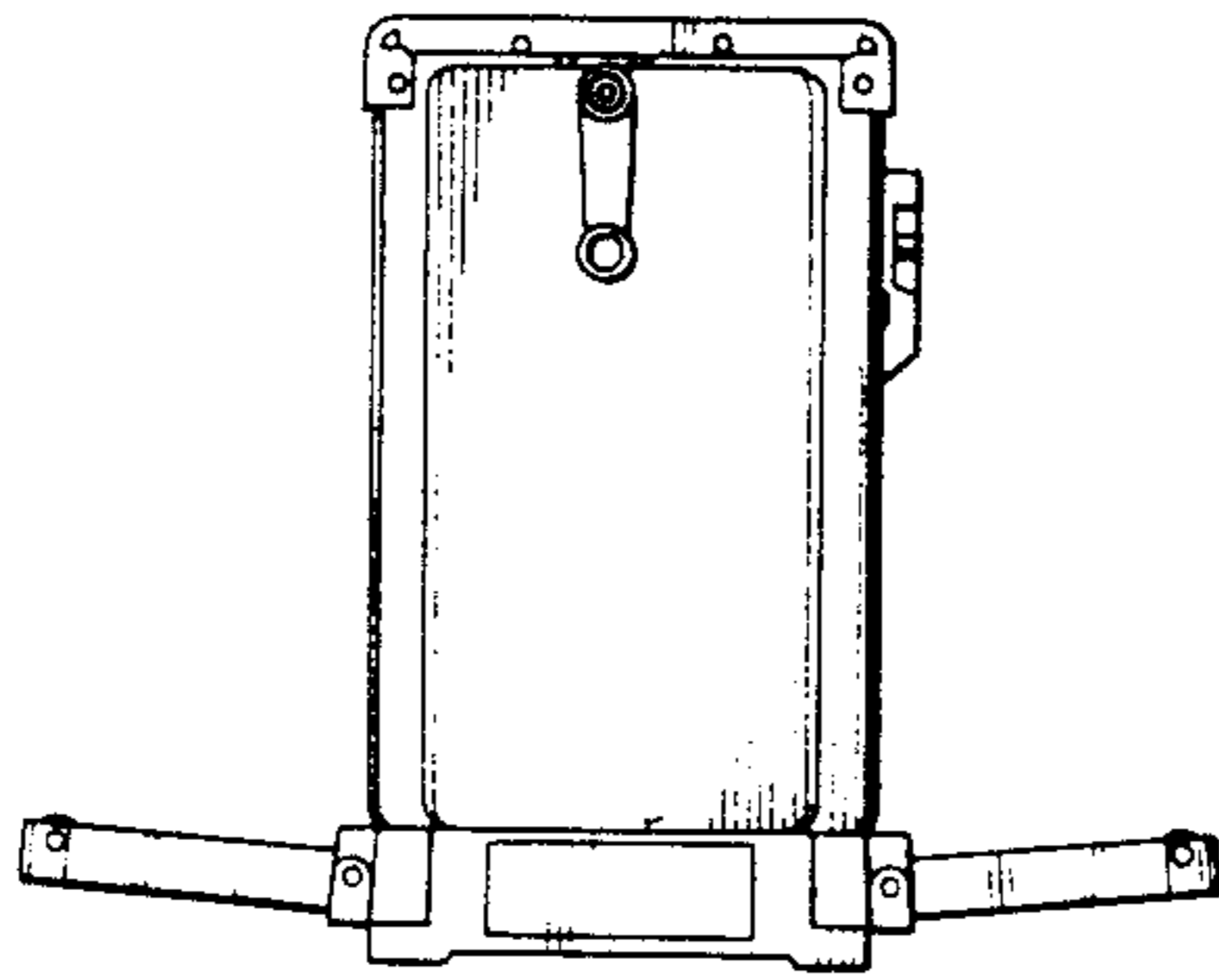
*Fig. 4*



*Fig. 5*



*Fig. 6*



*Fig. 7*

