

[54] HOUSING FOR FROZEN DESSERT MIXER AND DISPENSER

[75] Inventor: Charles E. Verkler, Peoria, Ill.

[73] Assignee: International Food Equipment Inc., Peoria, Ill.

[\*\*] Term: 14 Years

[21] Appl. No.: 516,818

[22] Filed: Jul. 25, 1983

[52] U.S. Cl. .... D15/82

[58] Field of Search ..... D15/80, 82; D7/300, D7/306; 241/DIG. 17

[56] References Cited

U.S. PATENT DOCUMENTS

- D. 200,612 3/1965 Reynolds ..... D15/80
- D. 205,106 6/1966 Carvel ..... D15/82
- D. 217,650 5/1970 Lofgren ..... D15/82
- D. 261,890 11/1981 Caspersen ..... D15/82

4,139,126 2/1979 Krasner et al. .... 241/DIG. 17

Primary Examiner—Susan J. Lucas  
Assistant Examiner—Lynn Wilder  
Attorney, Agent, or Firm—Donald E. Egan

[57] CLAIM

The ornamental design for a housing for frozen dessert mixer and dispenser, substantially as shown and described.

DESCRIPTION

FIG. 1 is a side perspective view of a housing for frozen dessert mixer and dispenser showing my new design; FIG. 2 is a front elevational view thereof; FIG. 3 is a side elevational view thereof; FIG. 4 is a rear elevational view thereof; FIG. 5 is a side elevational view opposite to that shown in FIG. 3; FIG. 6 is a top plan view thereof; and FIG. 7 is a side perspective view of another embodiment thereof.

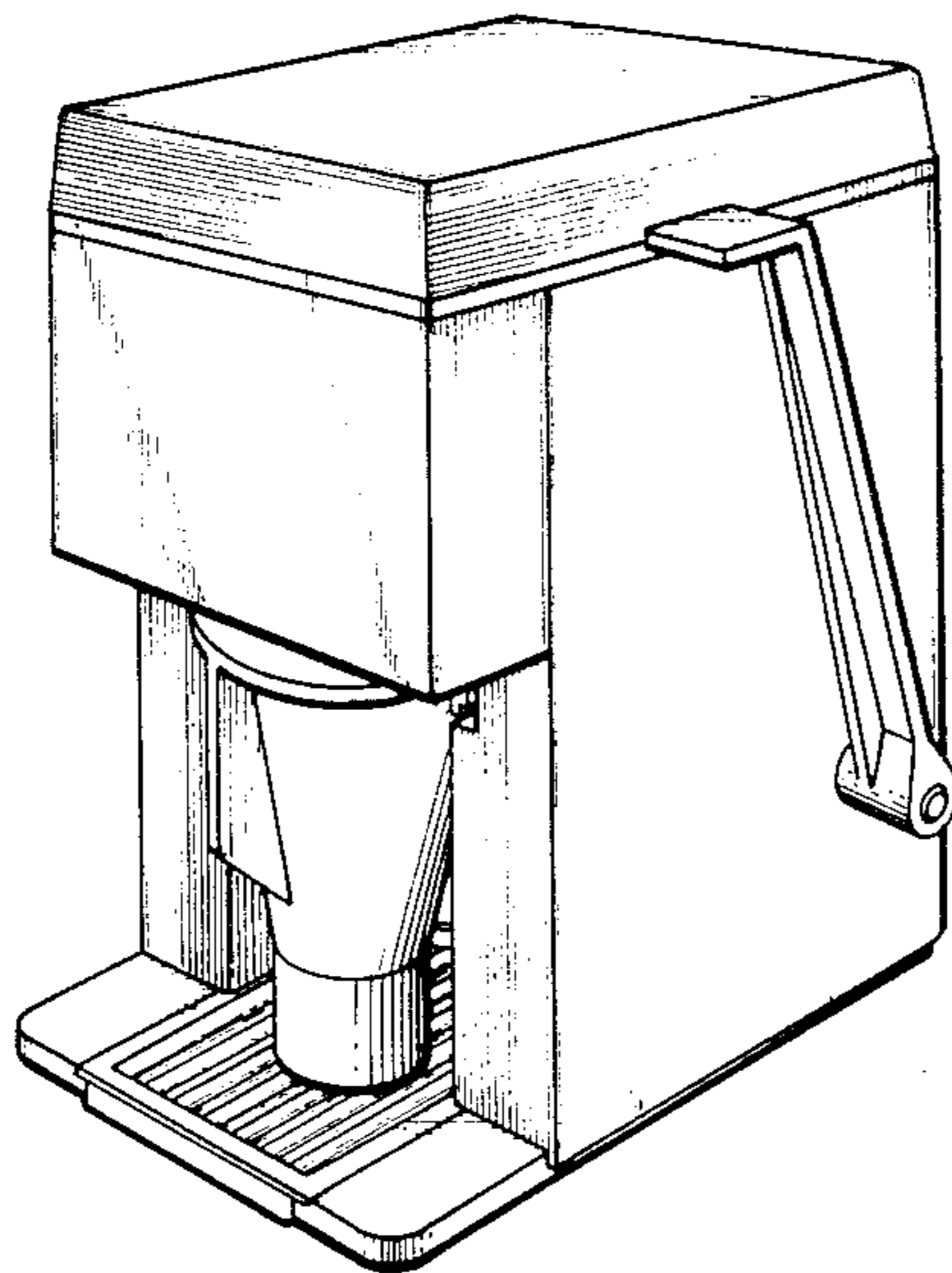


FIG. 1

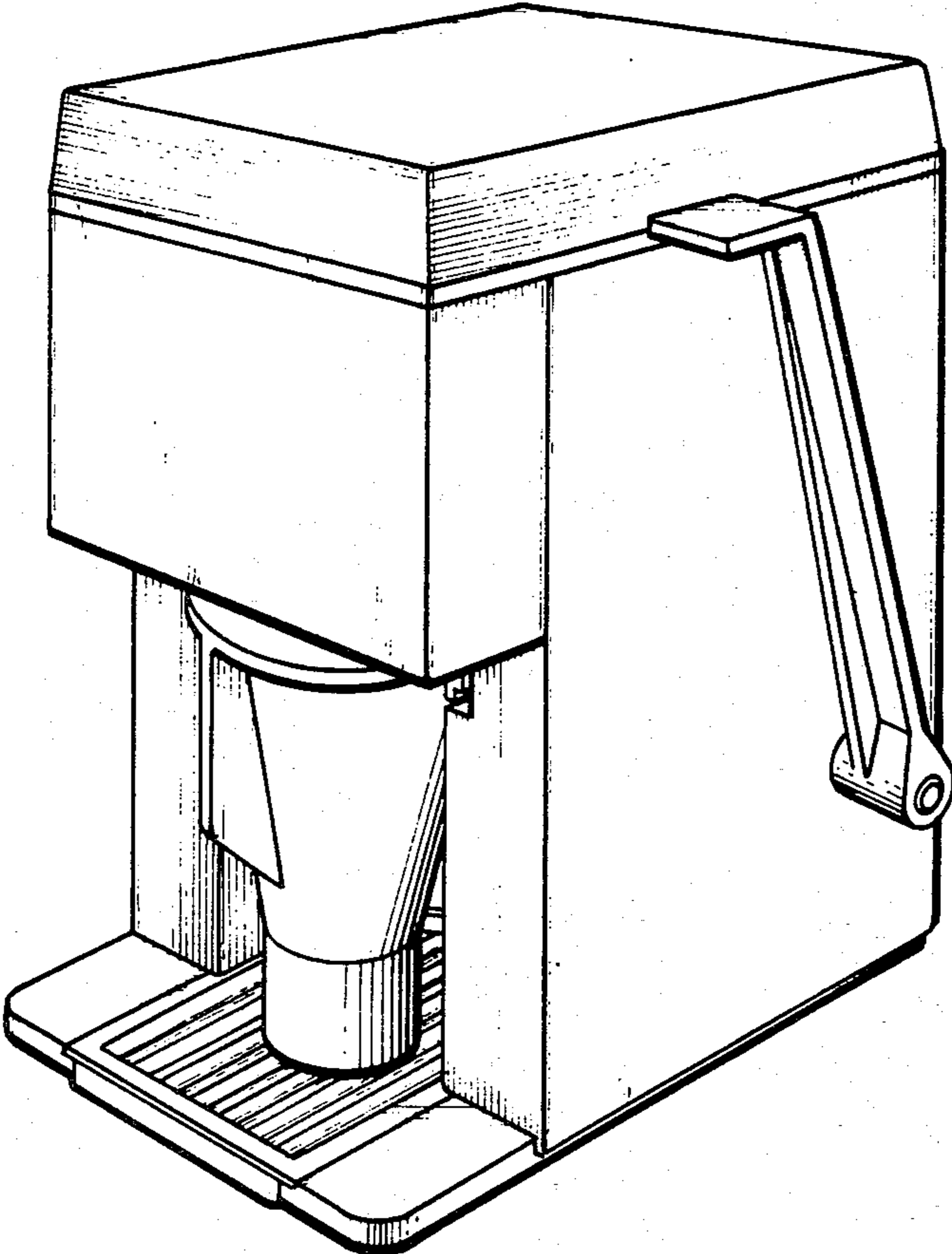


FIG. 2

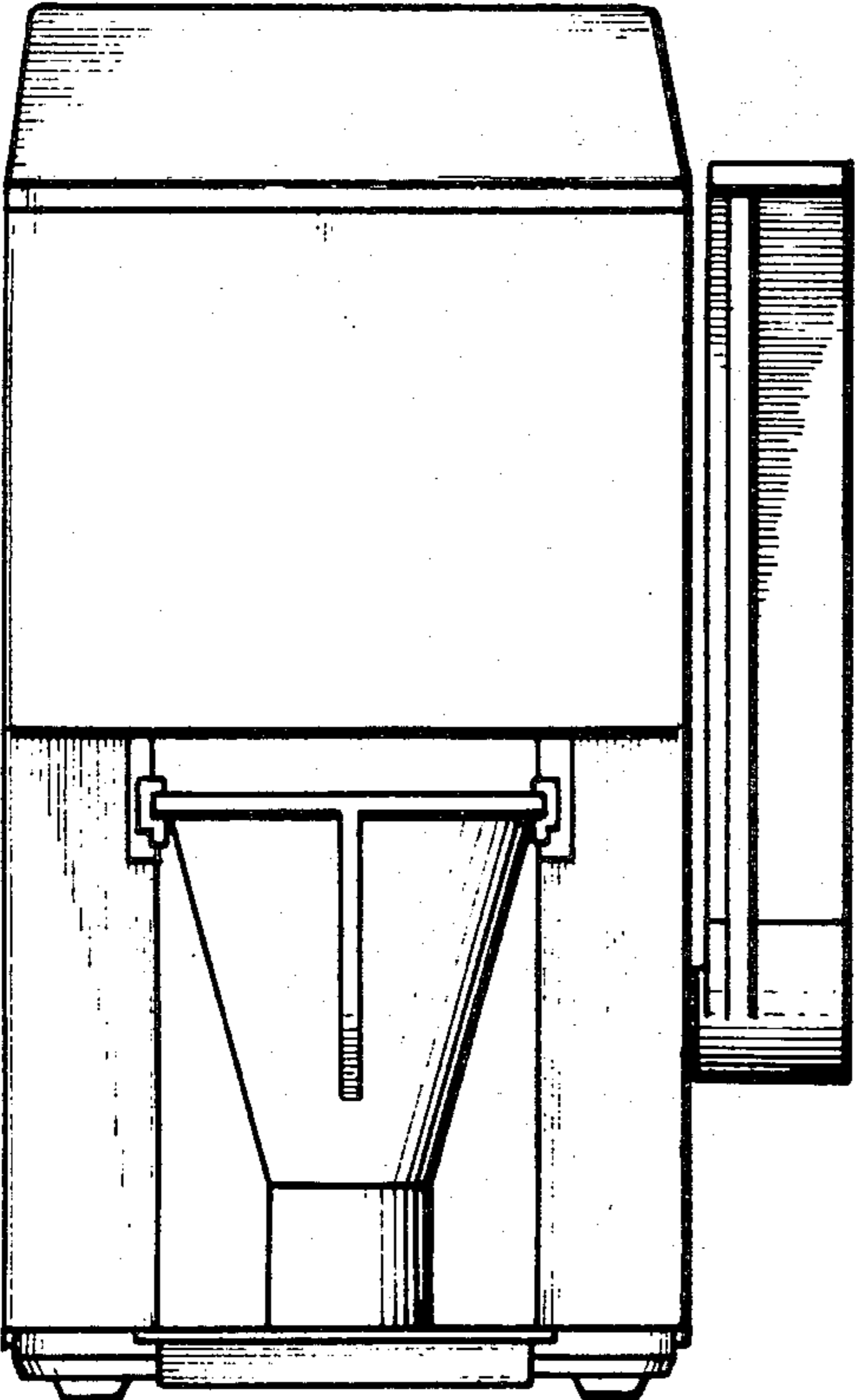


FIG. 3

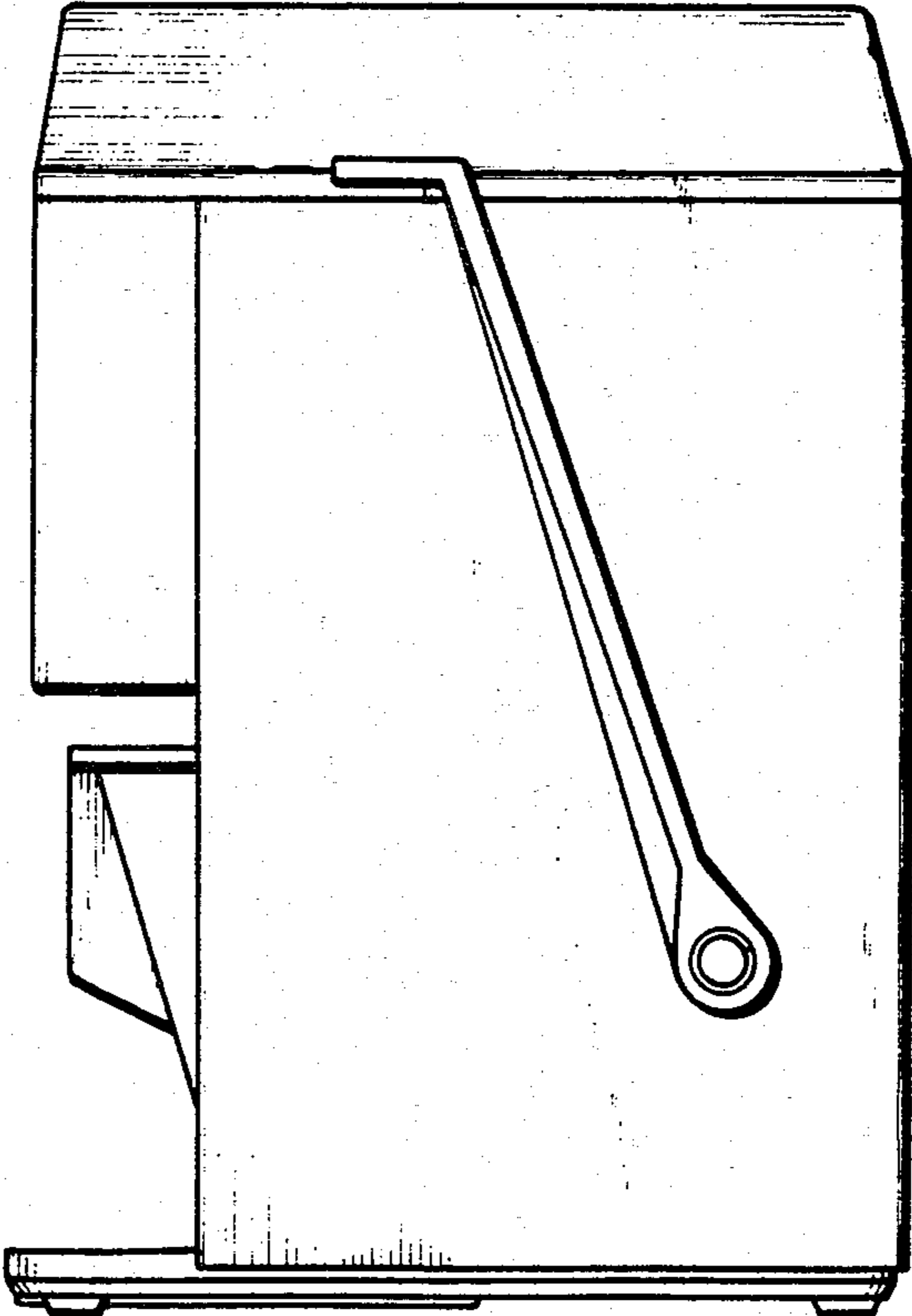


FIG. 4

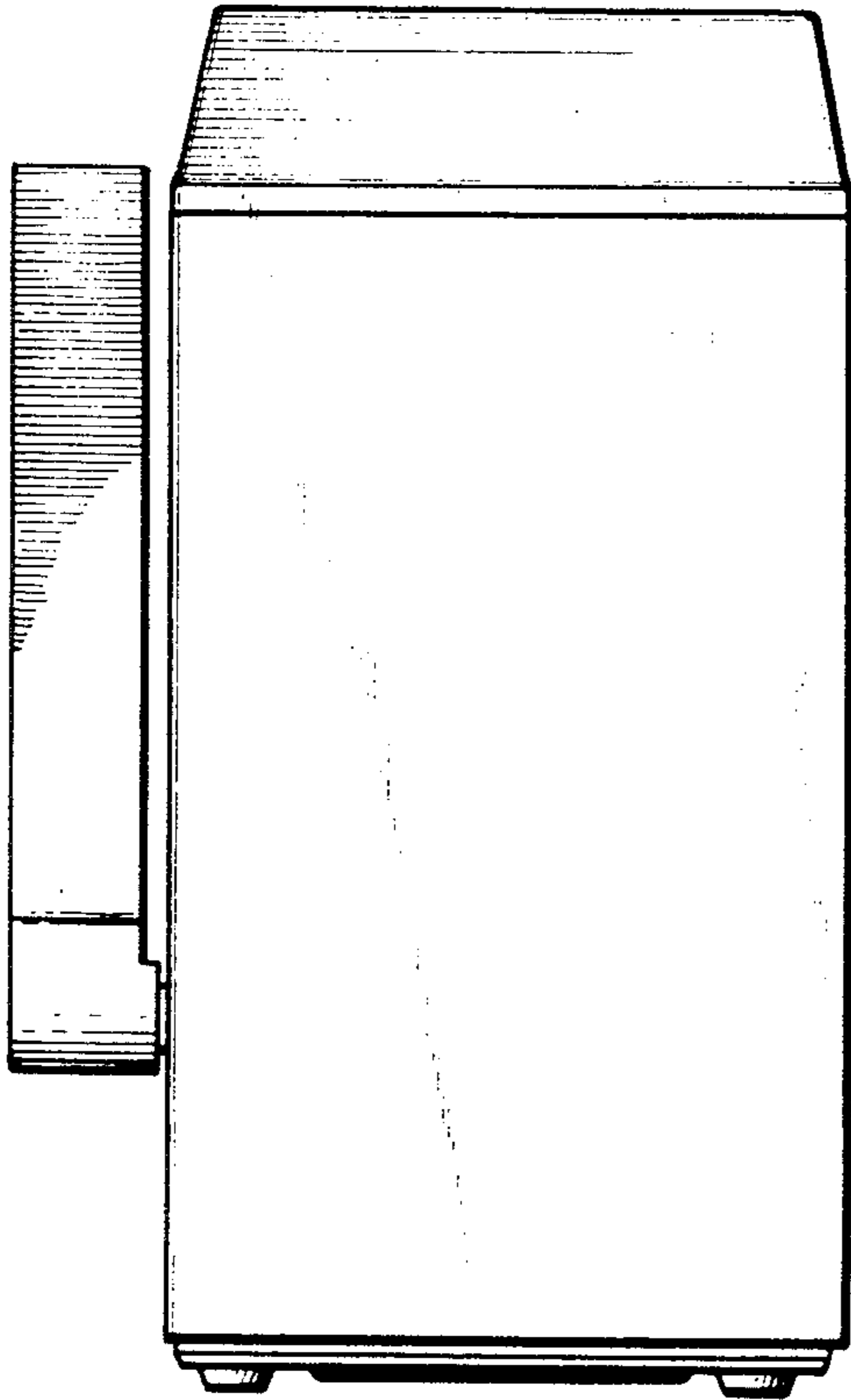


FIG. 5

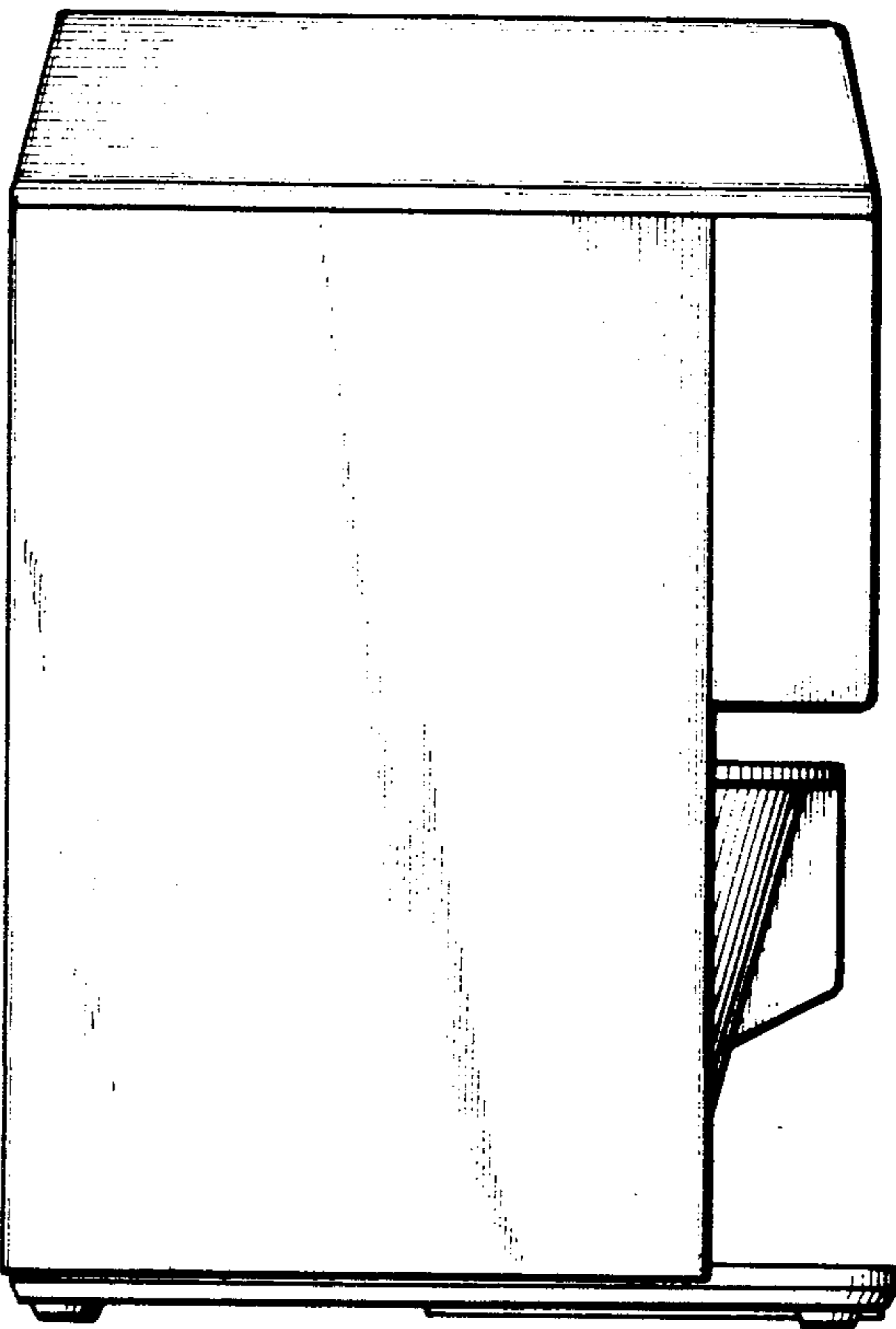


FIG. 7

FIG. 6

