

[54] TRAILING LAWN MOWER

3,736,735 6/1973 Kulak et al. 56/6
4,310,997 1/1982 Streicher 56/DIG. 22

[75] Inventor: Edward Klein, Wilmette, Ill.

Primary Examiner—B. J. Bullock
Assistant Examiner—Suzanne N. Gitlin
Attorney, Agent, or Firm—Cullen, Sloman, Cantor,
Grauer, Scott & Rutherford

[73] Assignee: Ingersoll Equipment Co., Inc.,
Winnecone, Wis.

[**] Term: 14 Years

[21] Appl. No.: 665,849

[57] CLAIM

[22] Filed: Oct. 29, 1984

The ornamental design for the trailing lawn mower, as
shown and described.

[52] U.S. Cl. D15/27

[58] Field of Search D15/10, 14, 17, 27,
D15/28, 33; 56/6, 7, DIG. 22

DESCRIPTION

[56] References Cited

U.S. PATENT DOCUMENTS

D. 206,756 1/1967 Bottenberg D15/14
D. 271,398 11/1983 McCanse et al. D15/27
3,267,651 8/1966 Engler 56/6

FIG. 1 is a right side elevational view of a trailing lawn
mower showing my new design;
FIG. 2 is a left side elevational view thereof;
FIG. 3 is a top plan view thereof;
FIG. 4 is a front elevational view thereof;
FIG. 5 is a rear elevational view thereof.
The undisclosed bottom is unornamented.

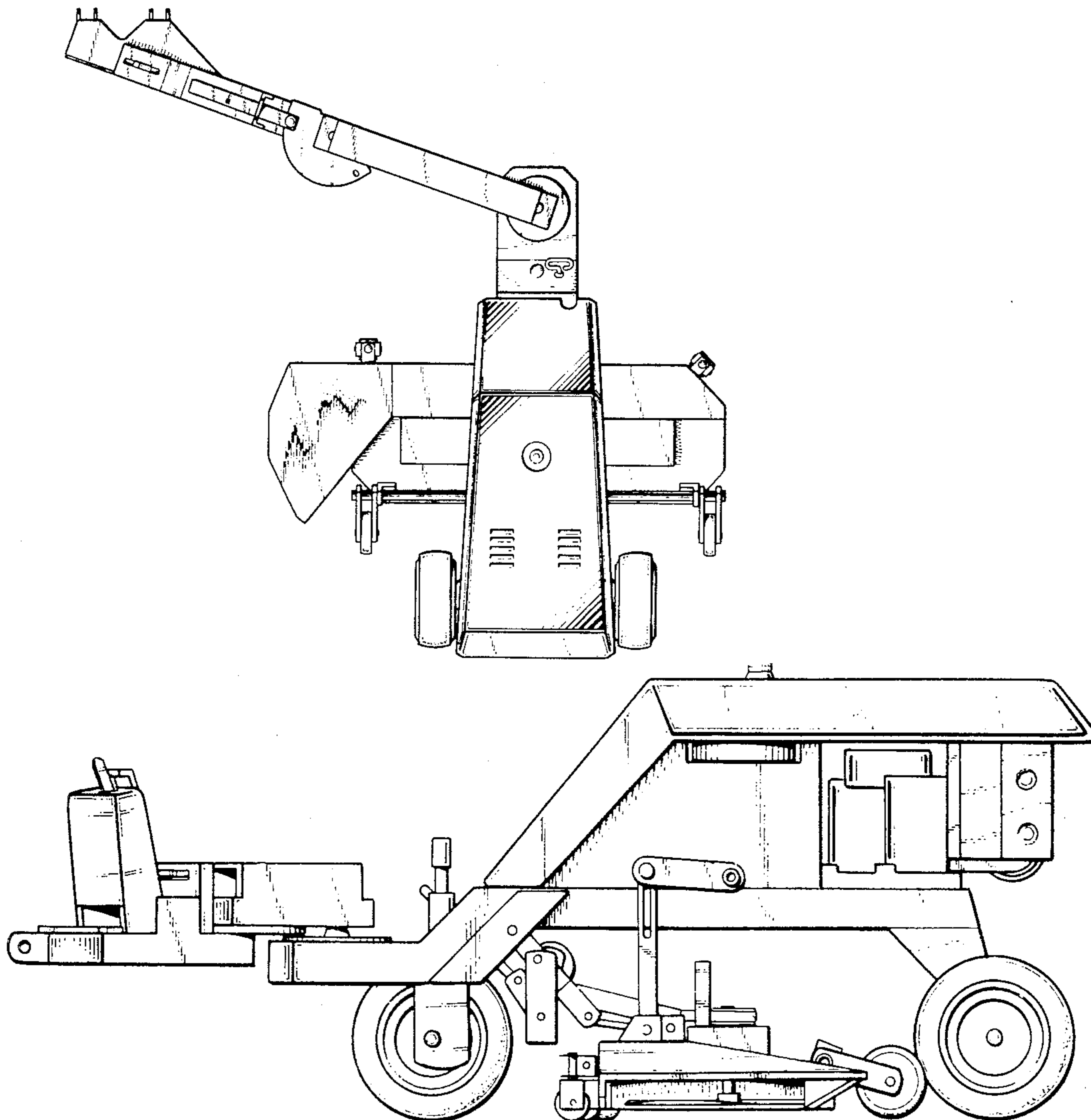


FIG. 1

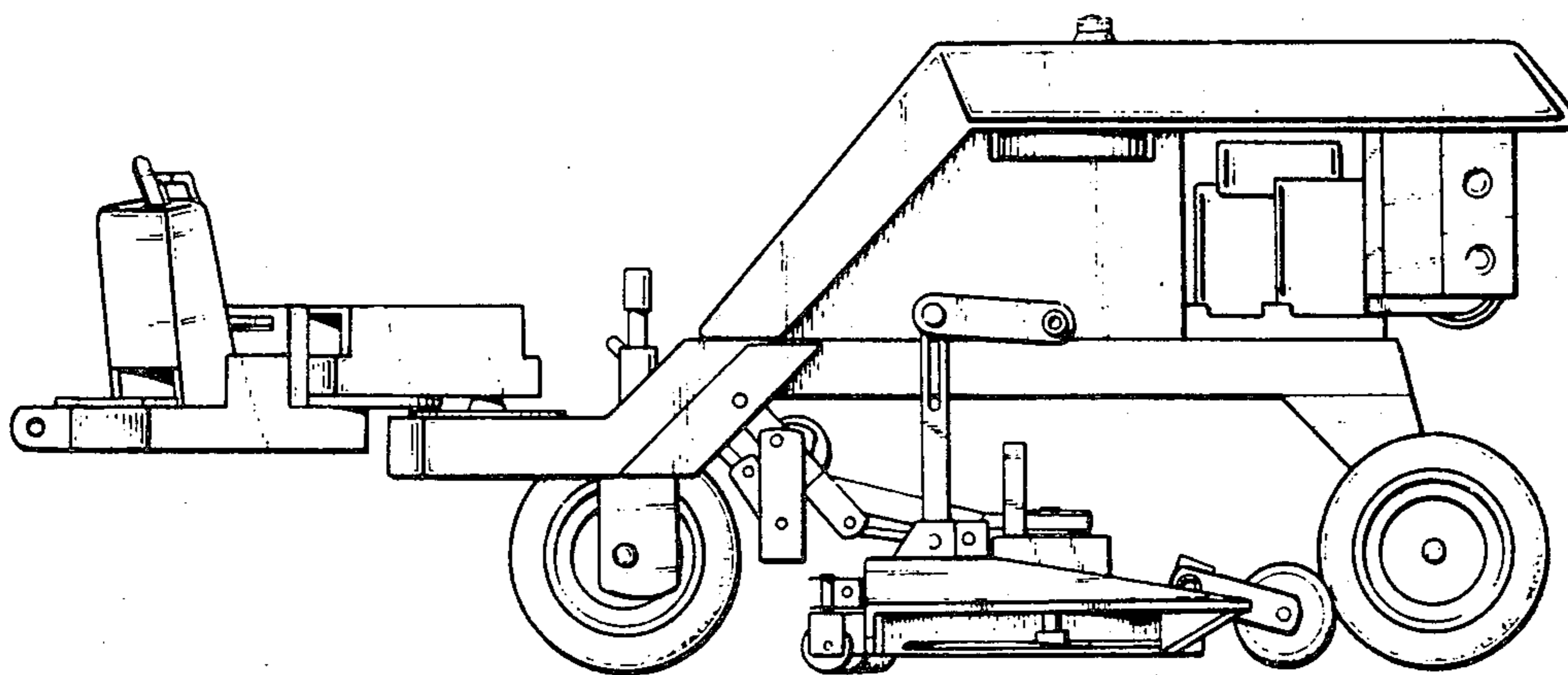
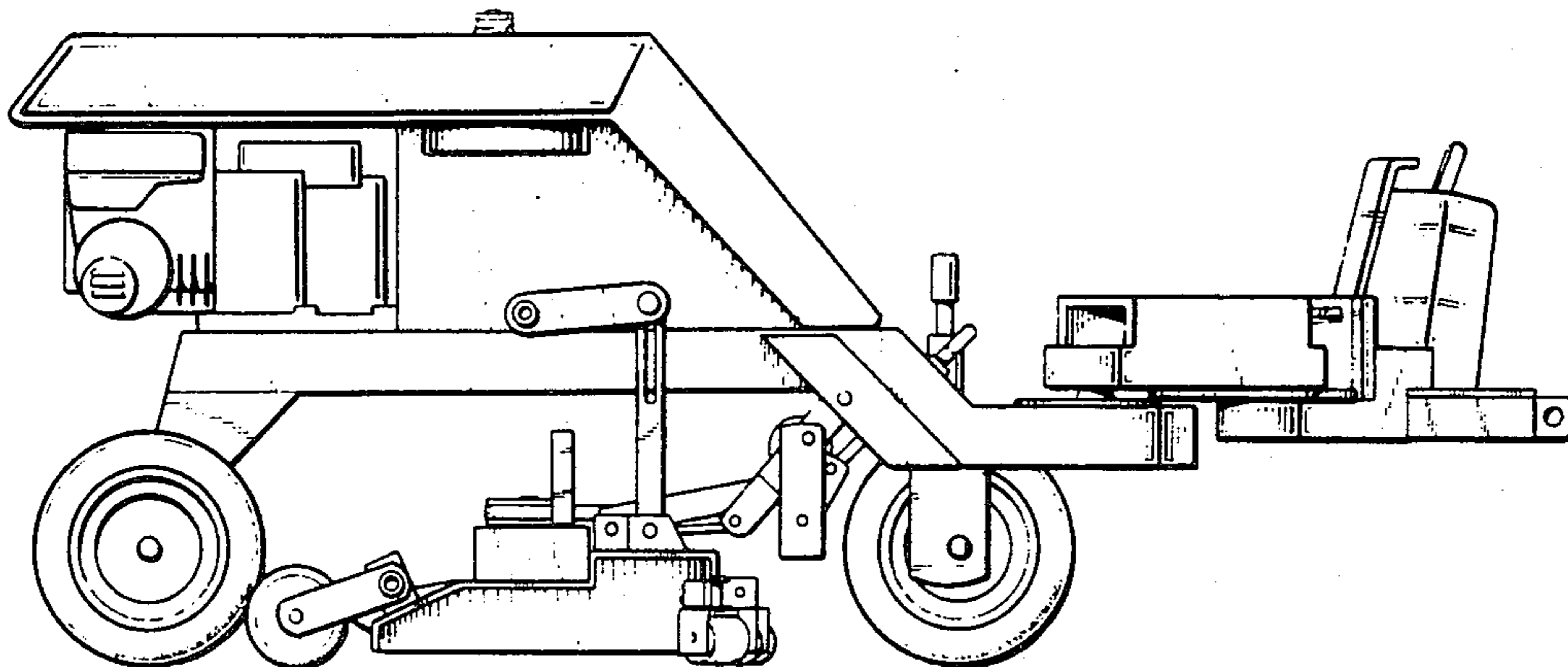


FIG. 2

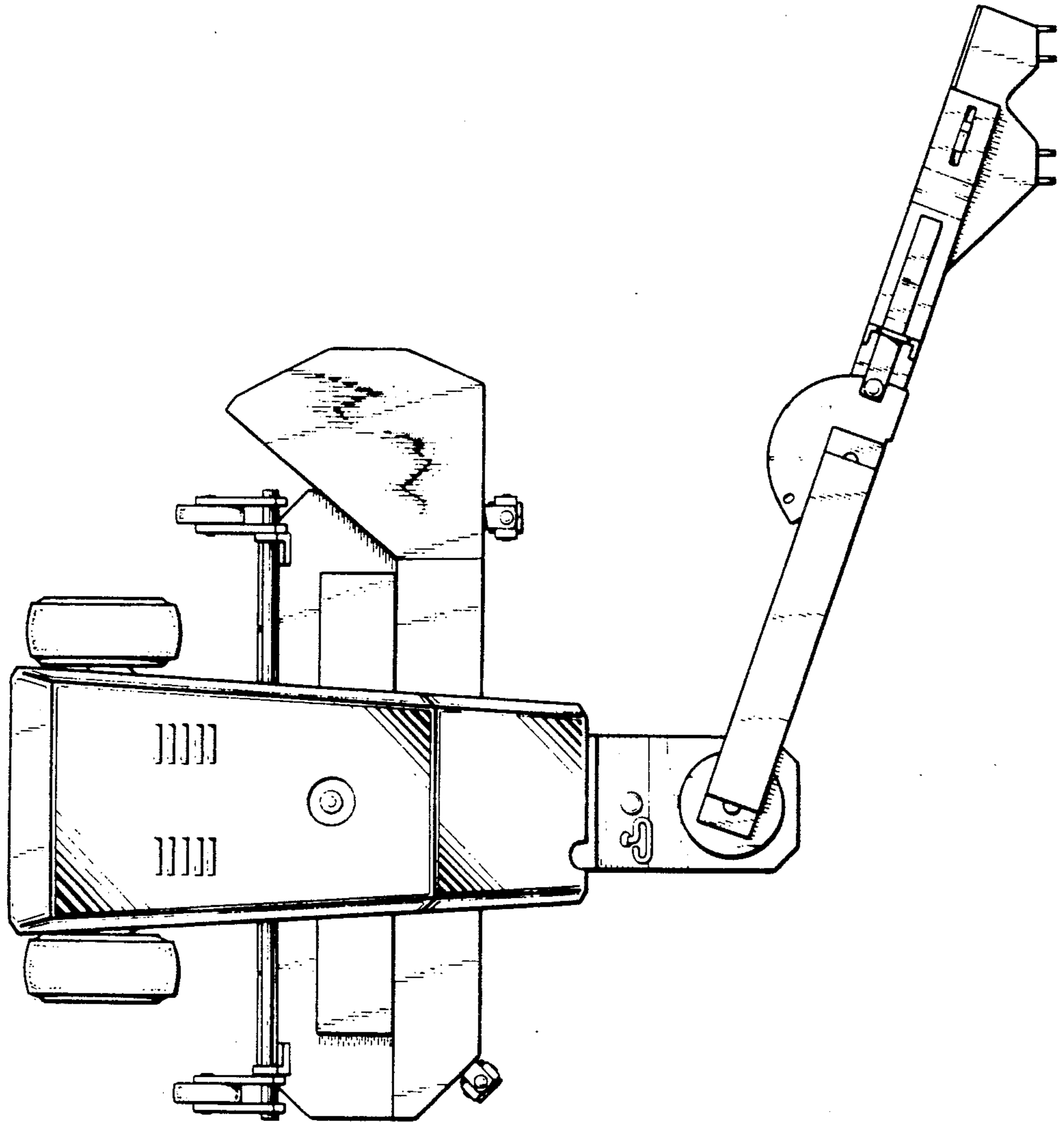


FIG. 3

FIG. 4

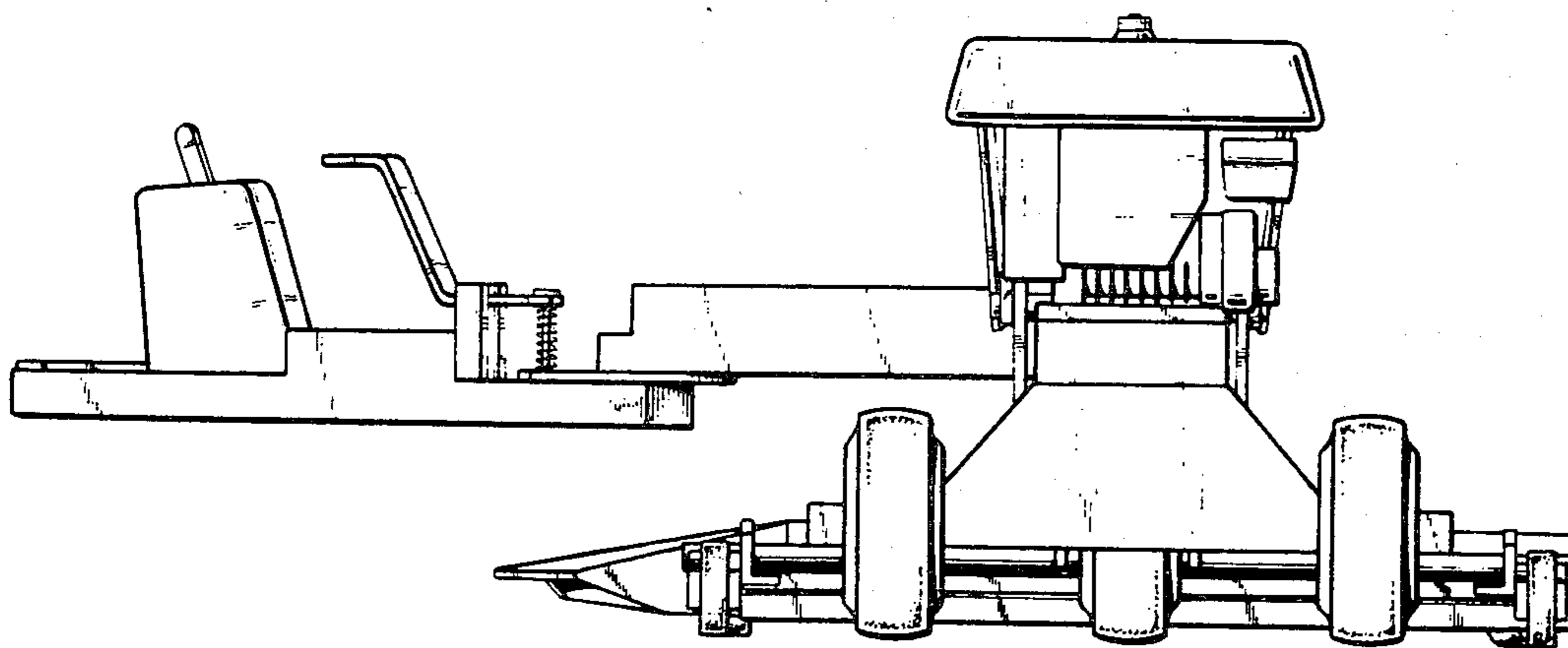
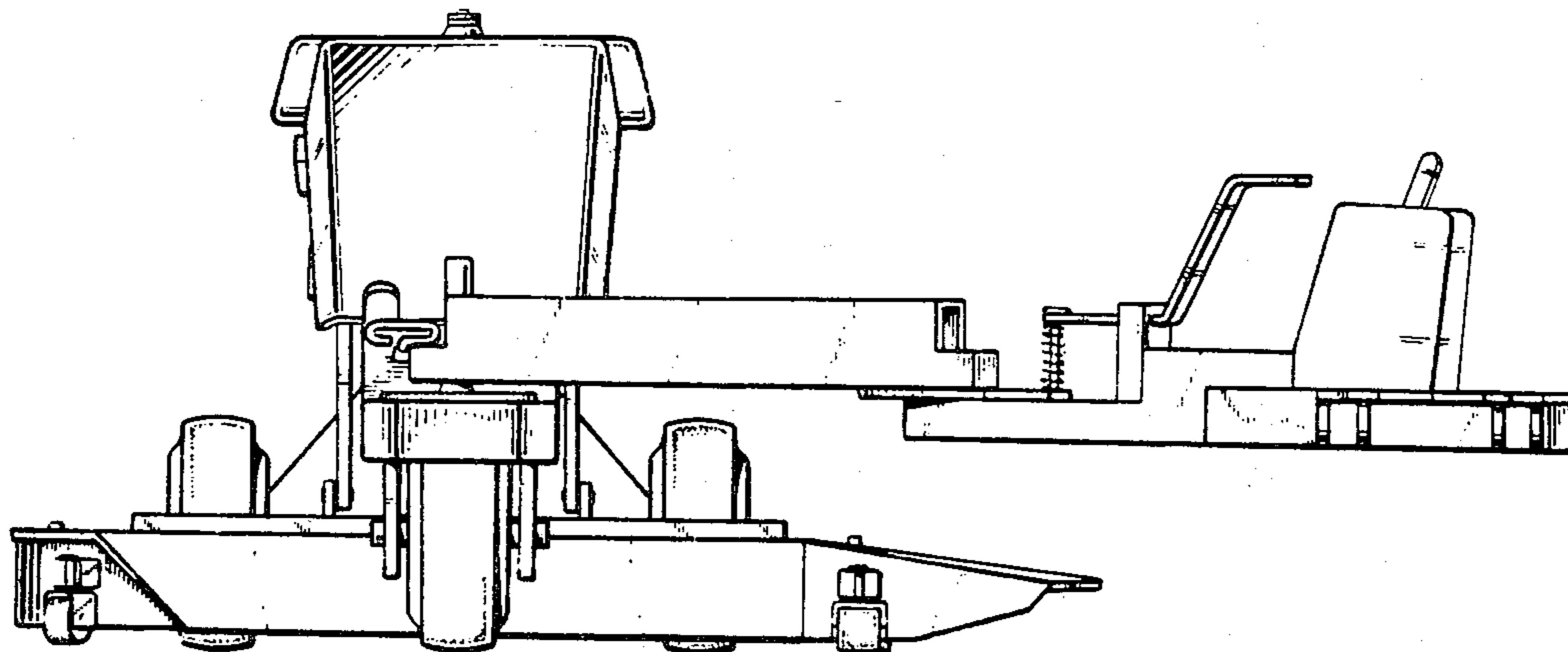


FIG. 5