

United States Patent [19]

Huthmacher

[11] Patent Number: **Des. 285,079**

[45] Date of Patent: **** Aug. 12, 1986**

[54] **COMBINED GRASS TRIMMER AND WHEELED FRAME**

[76] Inventor: **Edward A. Huthmacher**, 2807 Country Club Blvd., Sugar Land, Tex. 77478

[**] Term: **14 Years**

[21] Appl. No.: **649,063**

[22] Filed: **Sep. 10, 1984**

[52] U.S. Cl. **D15/16; D15/14; D15/17**

[58] Field of Search **D15/10, 14, 16, 17, D15/18; 56/12.7, 17.5**

[56] **References Cited**

U.S. PATENT DOCUMENTS

D. 255,764	7/1980	Lombard	D15/12
3,774,379	11/1973	Mizobata et al.	56/17.5
4,007,526	2/1977	Langenstein	56/17.5
4,182,100	1/1980	Letter	56/12.7
4,389,836	6/1983	Lowry et al.	56/12.7

4,411,126	10/1983	Lowry et al.	56/12.7
4,512,143	4/1985	Jimenez	56/17.5
4,531,350	7/1985	Huthmacher	56/17.5

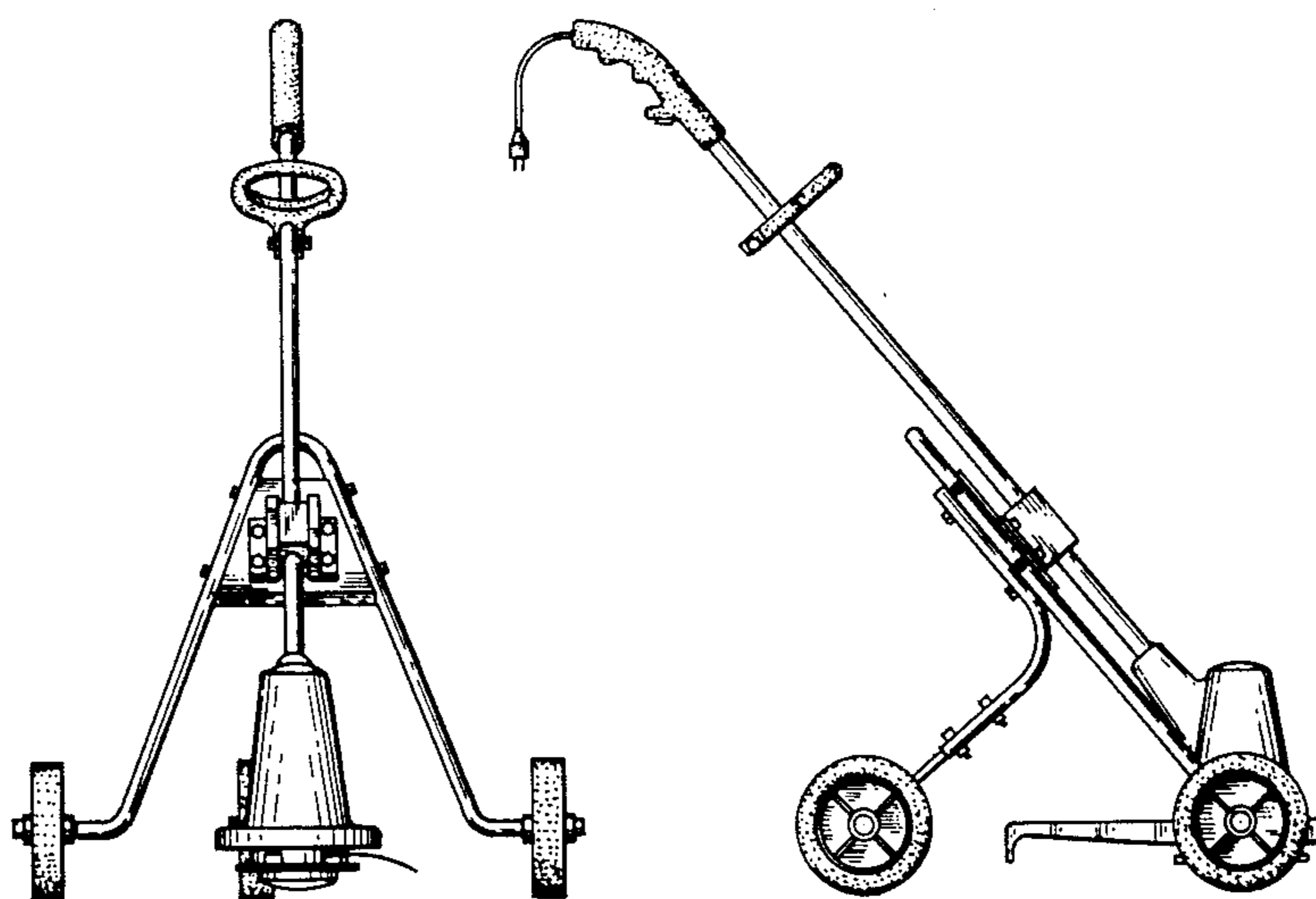
Primary Examiner—B. J. Bullock
Assistant Examiner—Suzanne N. Gitlin
Attorney, Agent, or Firm—Michael P. Breston

[57] **CLAIM**

The ornamental design for a combined grass trimmer and wheeled frame, substantially as shown and described.

DESCRIPTION

FIG. 1 is a front elevational view of a combined grass trimmer and wheeled frame showing my new design; FIG. 2 is a side elevational view taken from the left of FIG. 1; FIG. 3 is a side elevational view taken from the right of FIG. 1; FIG. 4 is a rear elevational view taken in the direction of the arrows along line 4—4 of FIG. 3, shown broken away for ease of illustration.



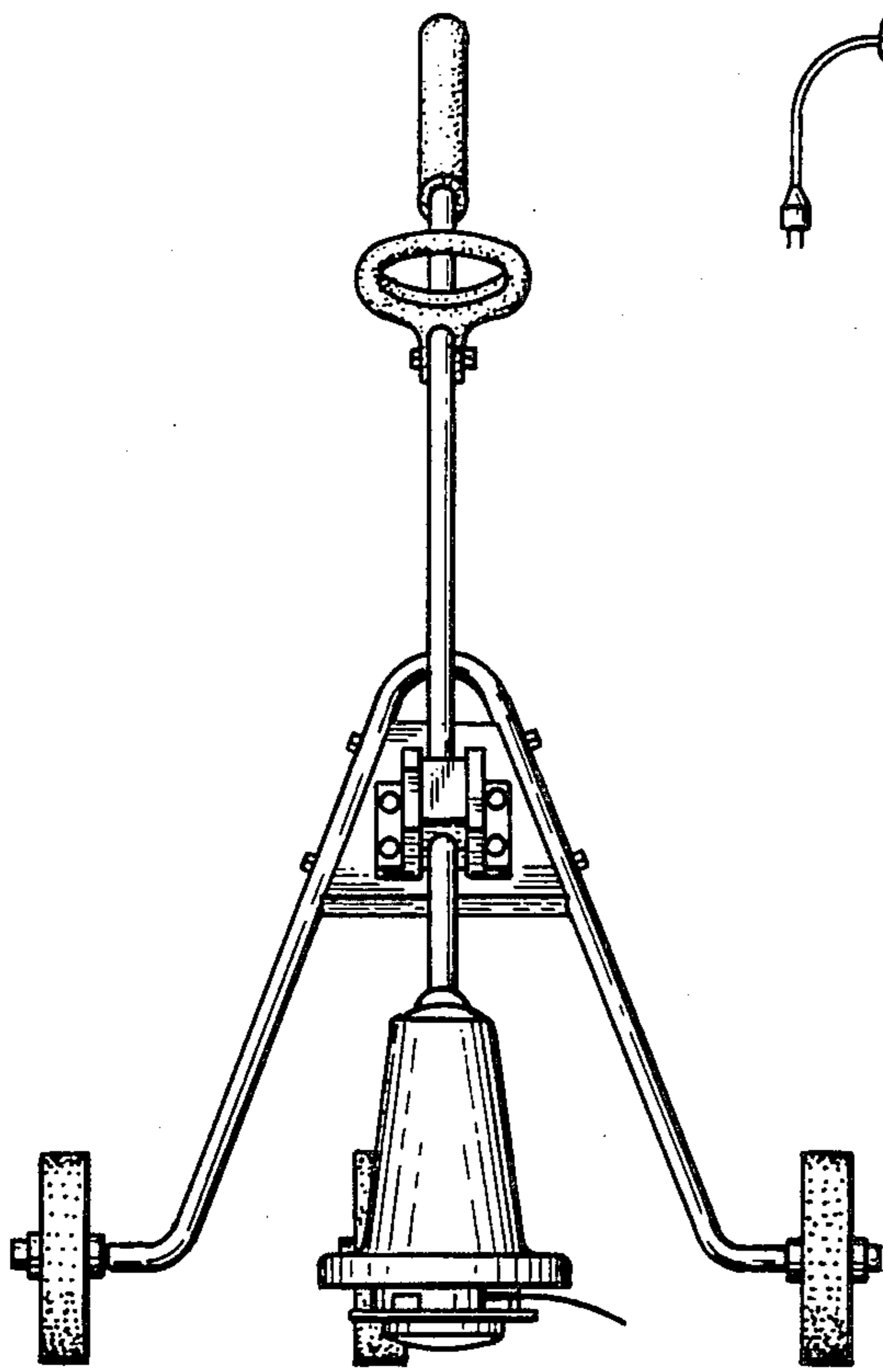


FIG. 1.

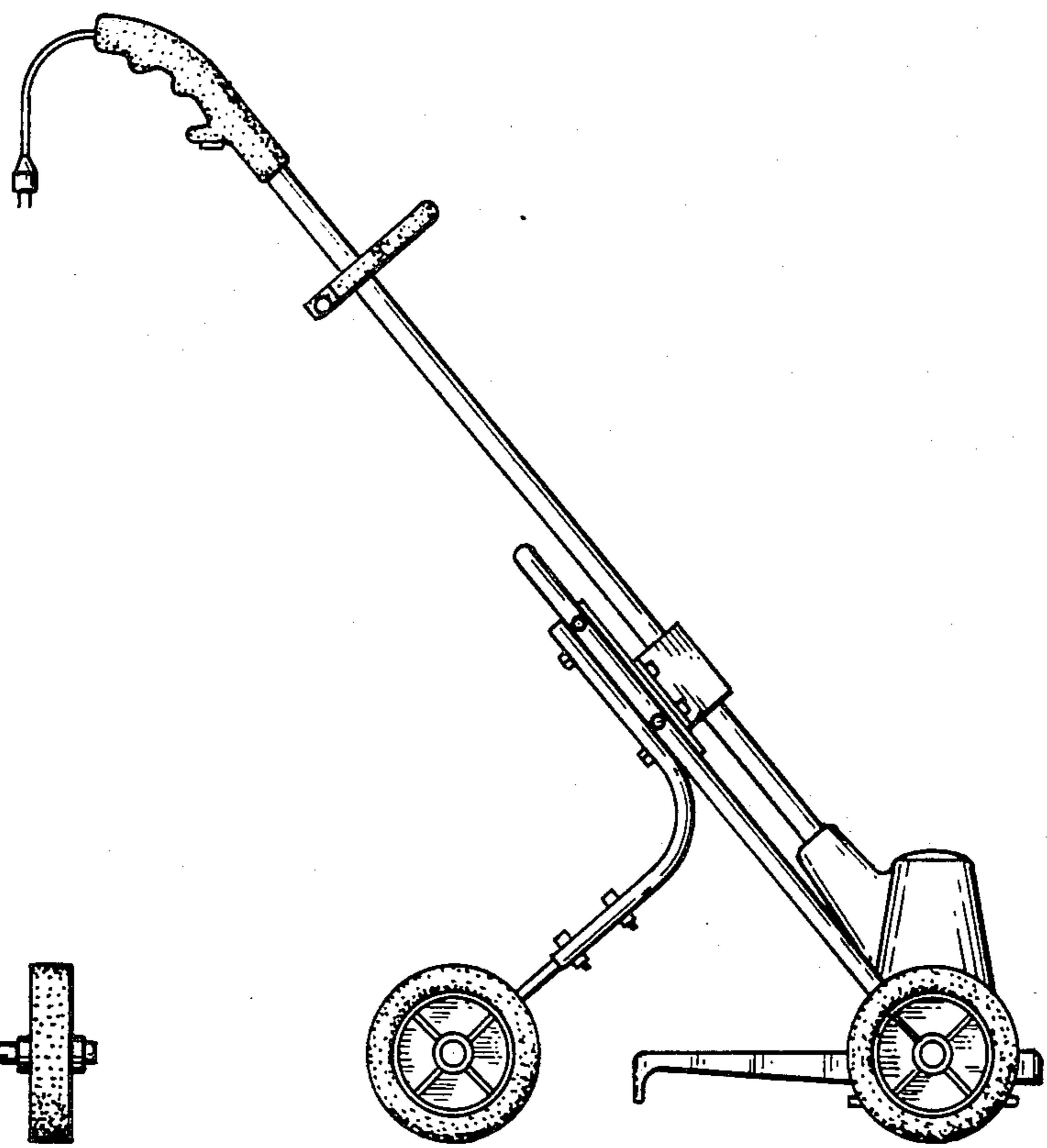


FIG. 2.

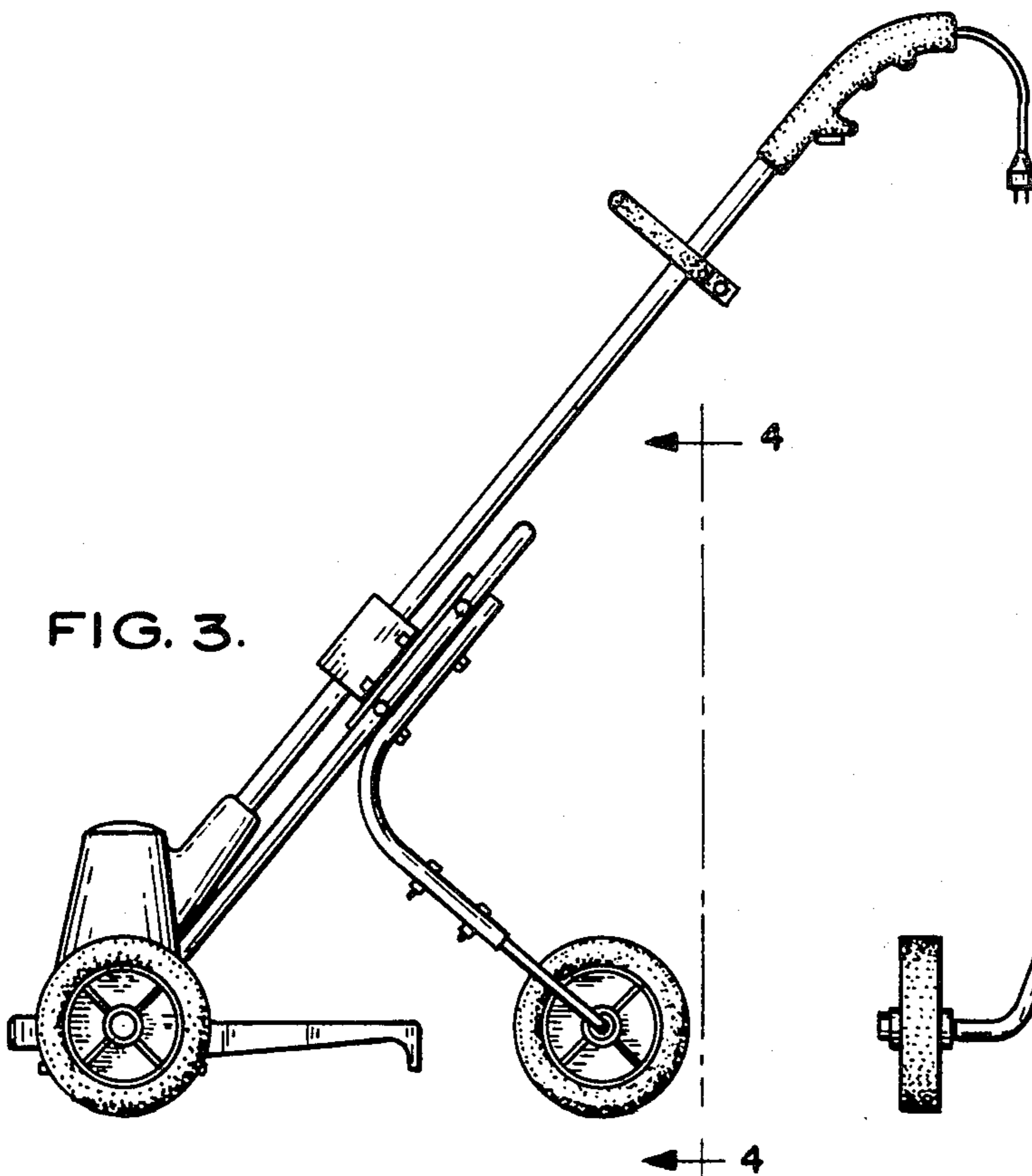


FIG. 3.

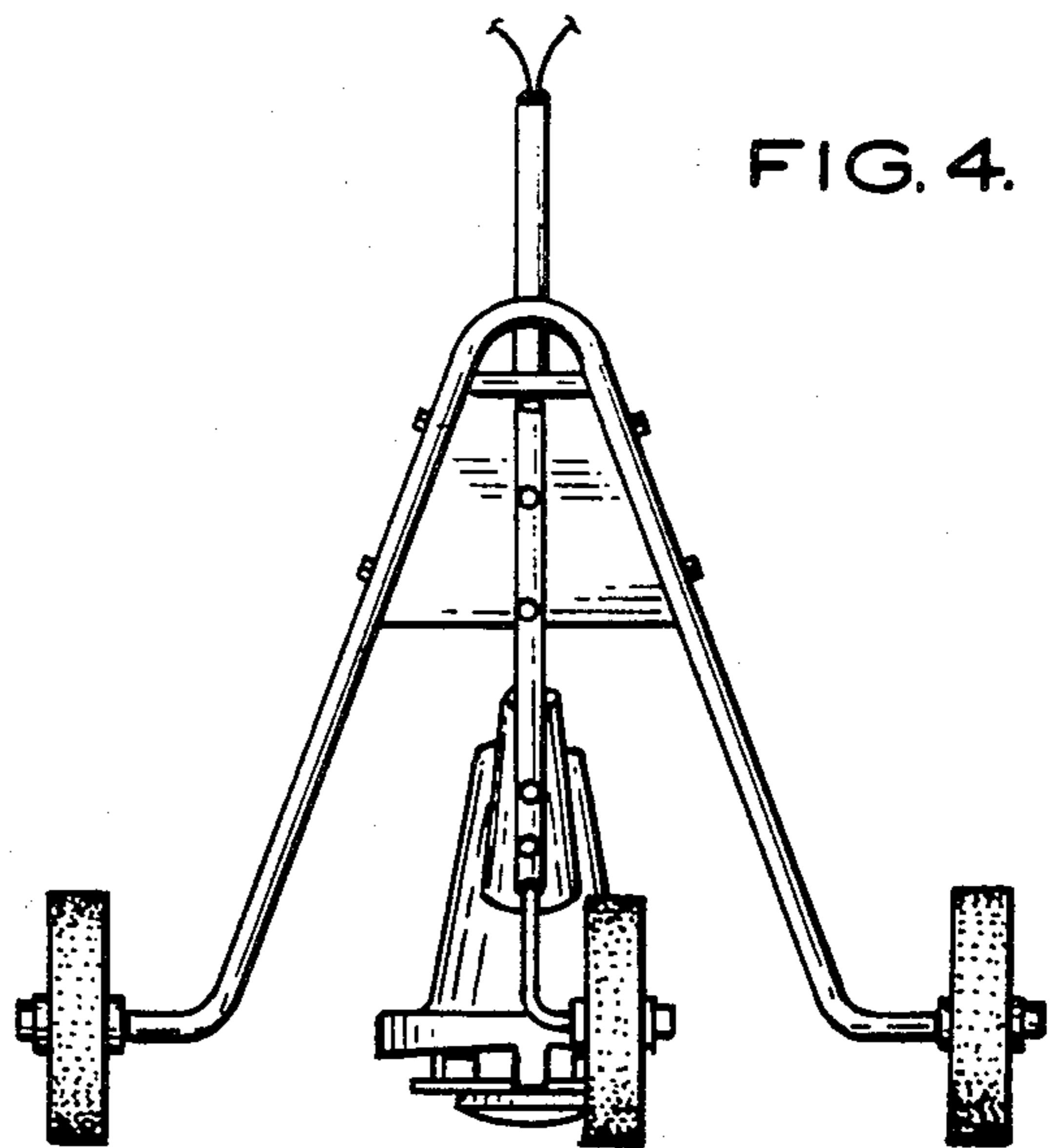


FIG. 4.