

[54] LAWN TRACTOR

4,310,998 1/1982 Cuba 56/320.2
4,532,755 8/1985 Schemelin et al. 56/320.2

[75] Inventors: Sadao Mizushima, Tokyo; Toshihiko Shibuya, Urawa, both of Japan

Primary Examiner—B. J. Bullock
Assistant Examiner—Suzanne N. Gitlin
Attorney, Agent, or Firm—Wenderoth, Lind & Ponack

[73] Assignee: Honda Giken Kogyo Kabushiki Kaisha, Tokyo, Japan

[57] CLAIM

[**] Term: 14 Years

The ornamental design for a lawn tractor, as shown and described.

[21] Appl. No.: 640,836

DESCRIPTION

[22] Filed: Aug. 15, 1984

[30] Foreign Application Priority Data

Feb. 17, 1984 [JP] Japan 59-5791
[52] U.S. Cl. D15/15
[58] Field of Search D15/10, 14, 15, 17, D15/18, 23, 28; 56/202, 320.1, 320.2, DIG. 22

FIG. 1 is a front elevational view of a lawn tractor showing our new design;
FIG. 2 is a rear elevational view thereof;
FIG. 3 is a bottom plan view thereof;
FIG. 4 is a top plan view thereof;
FIG. 5 is a side elevational view taken from the right of FIG. 1;
FIG. 6 is a side elevational view taken from the left of FIG. 1;
FIG. 7 is a left side perspective view thereof;
FIG. 8 is a right side perspective view thereof;
FIG. 9 is a left side perspective view with the chute and grass bag removed for ease of illustration.

[56] References Cited

U.S. PATENT DOCUMENTS

D. 245,604 8/1977 Cognata et al. D15/15
D. 248,397 7/1978 Cognata et al. D15/15
D. 249,042 8/1978 Hinklin D15/23

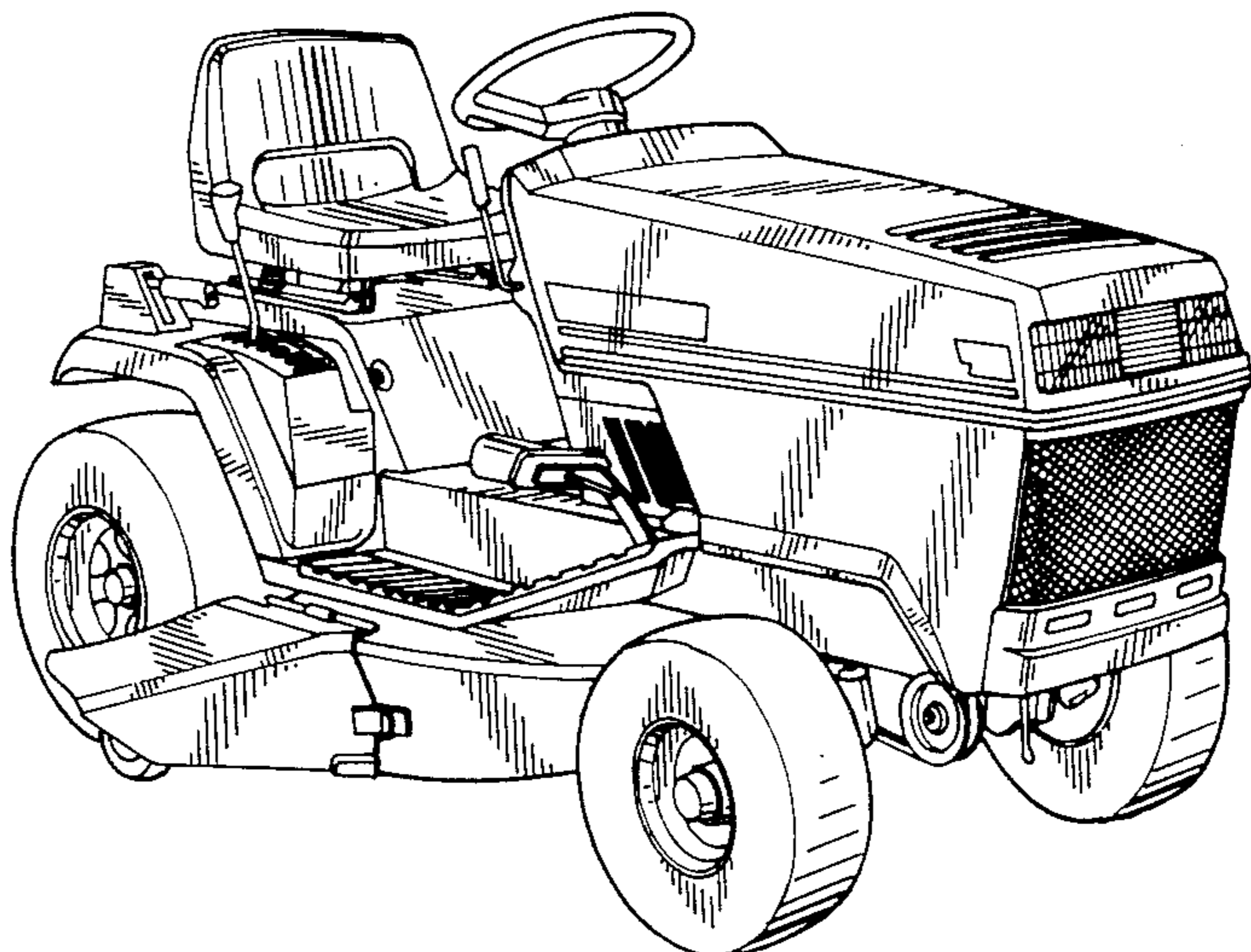
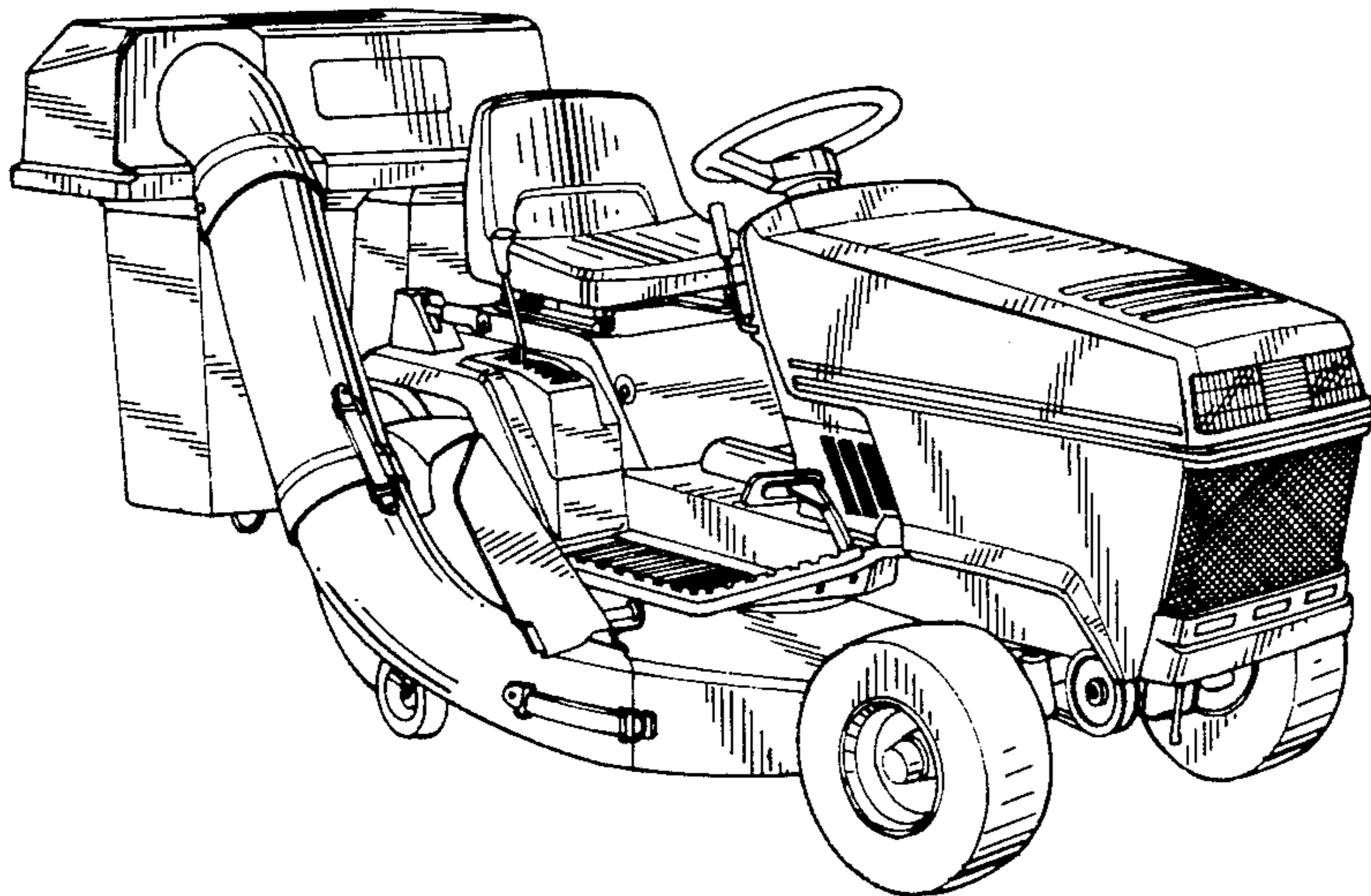


FIG. 1

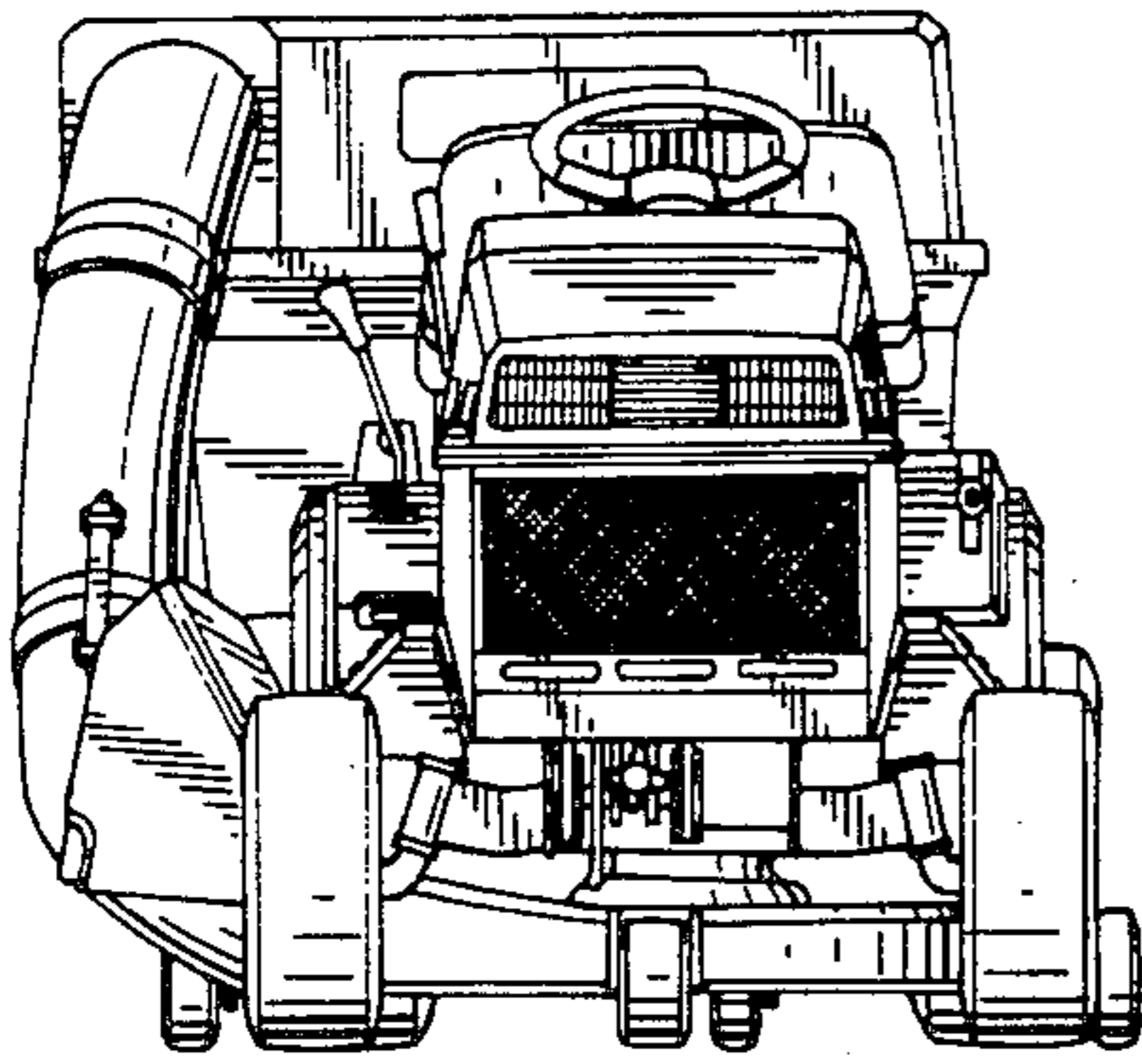


FIG. 2

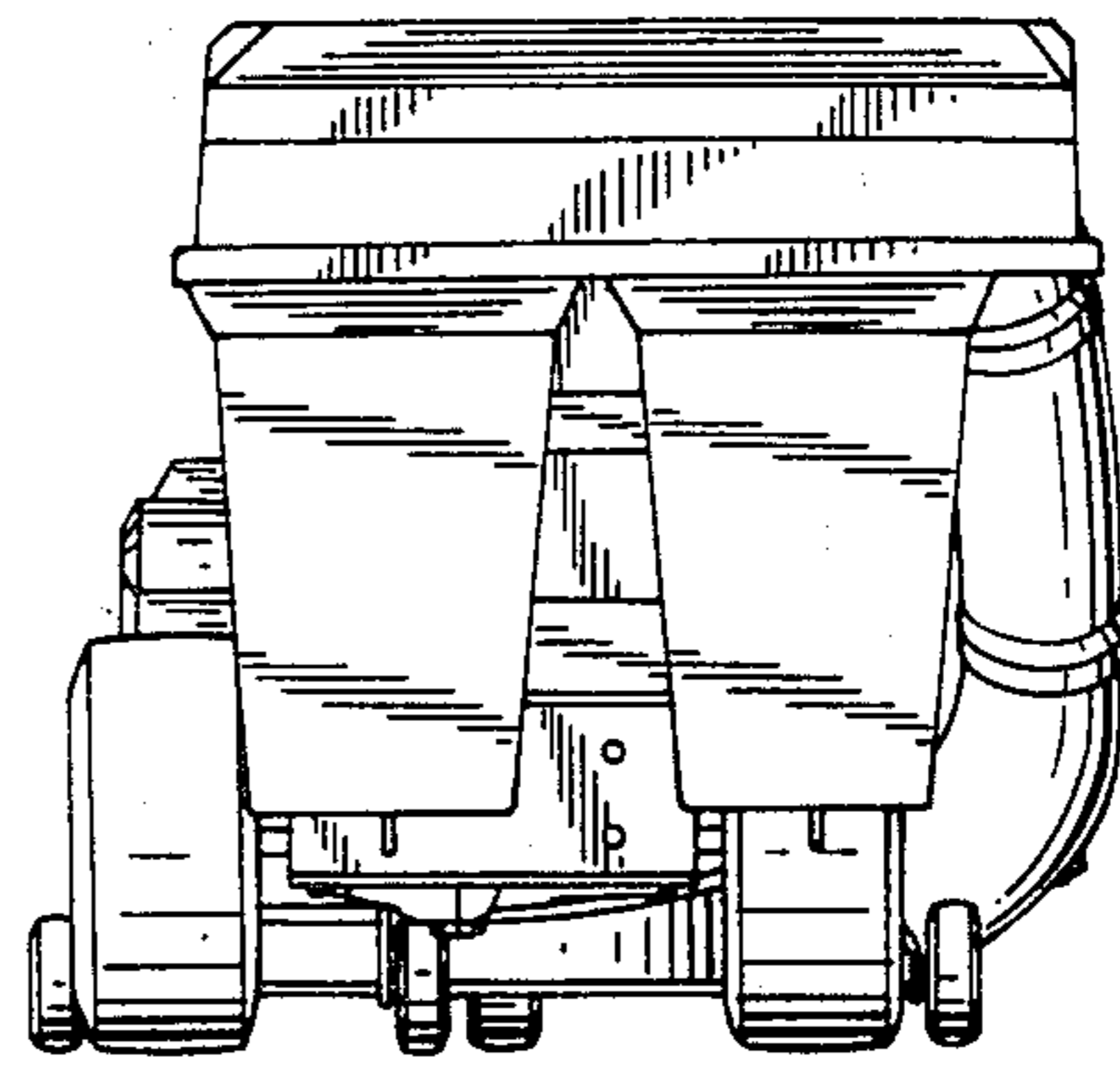


FIG. 3

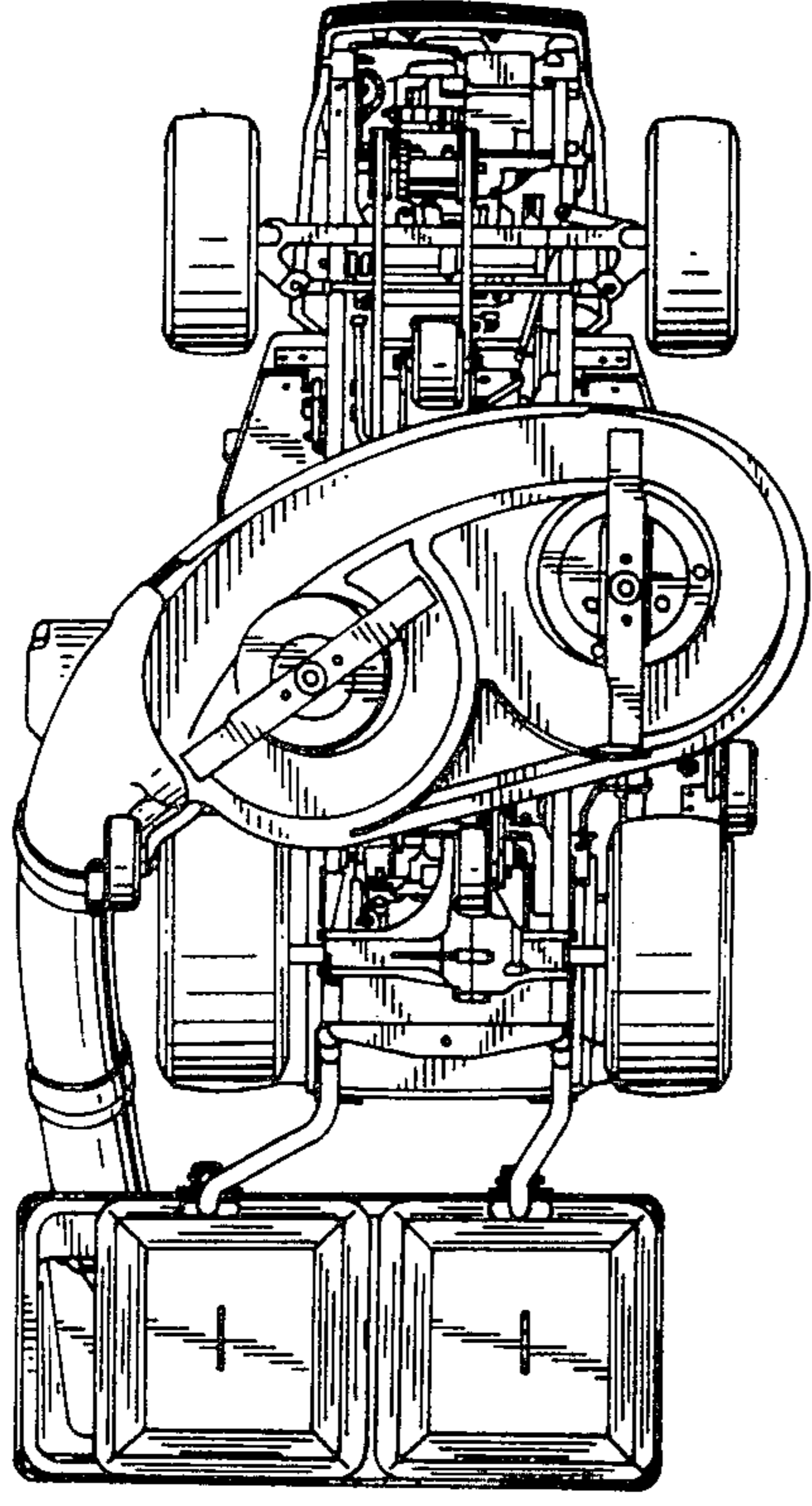


FIG. 4

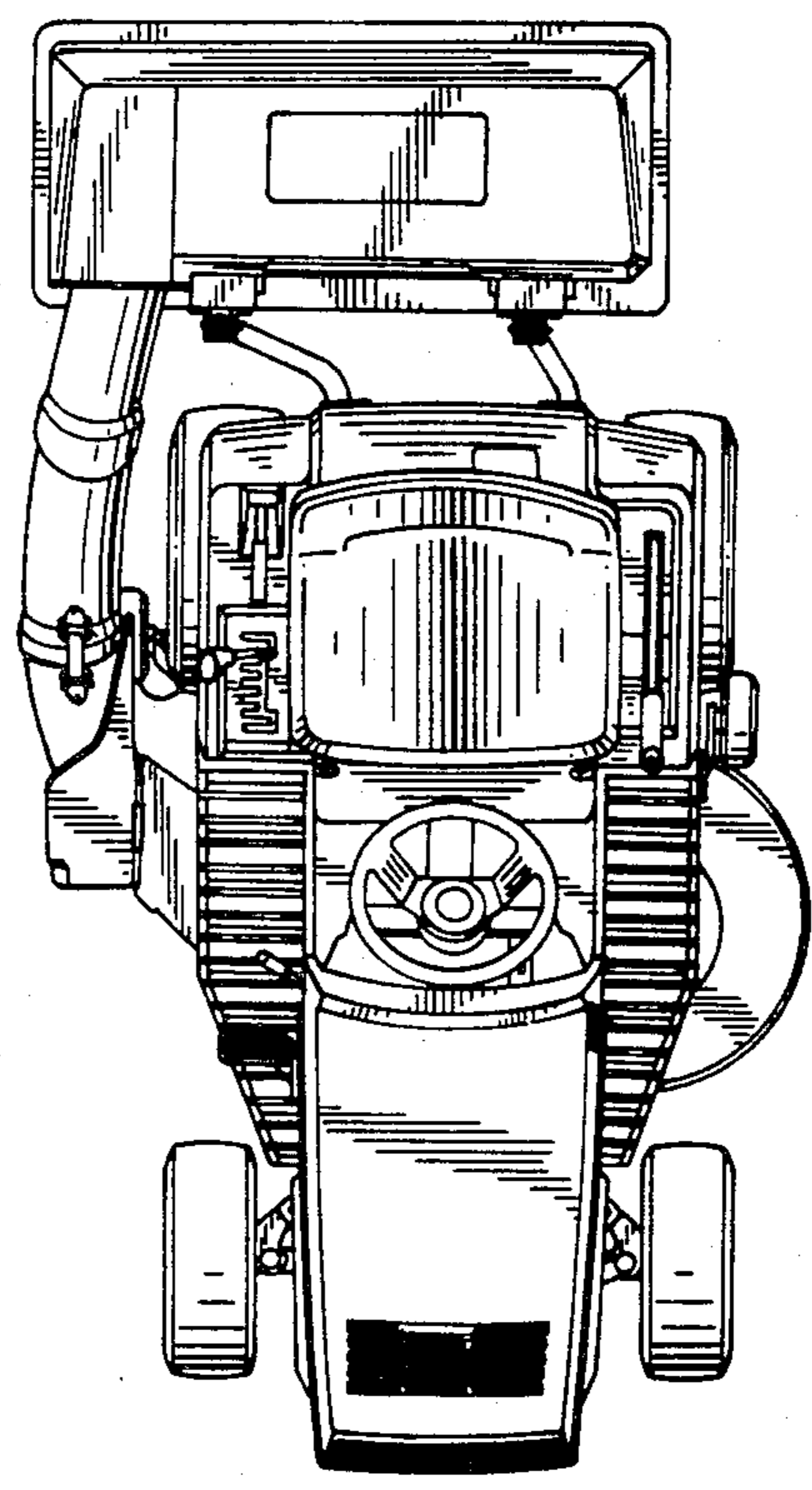


FIG. 5

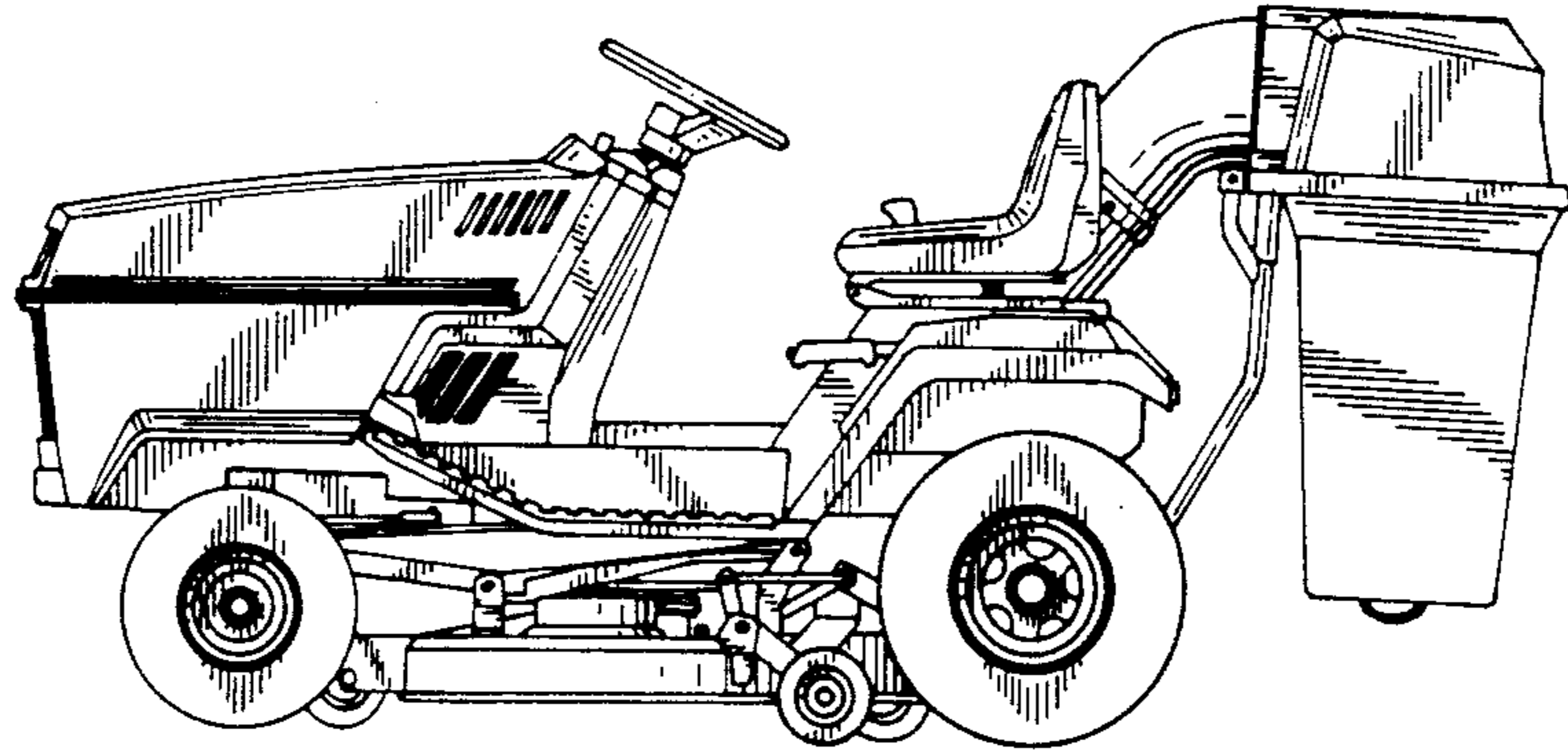


FIG. 6

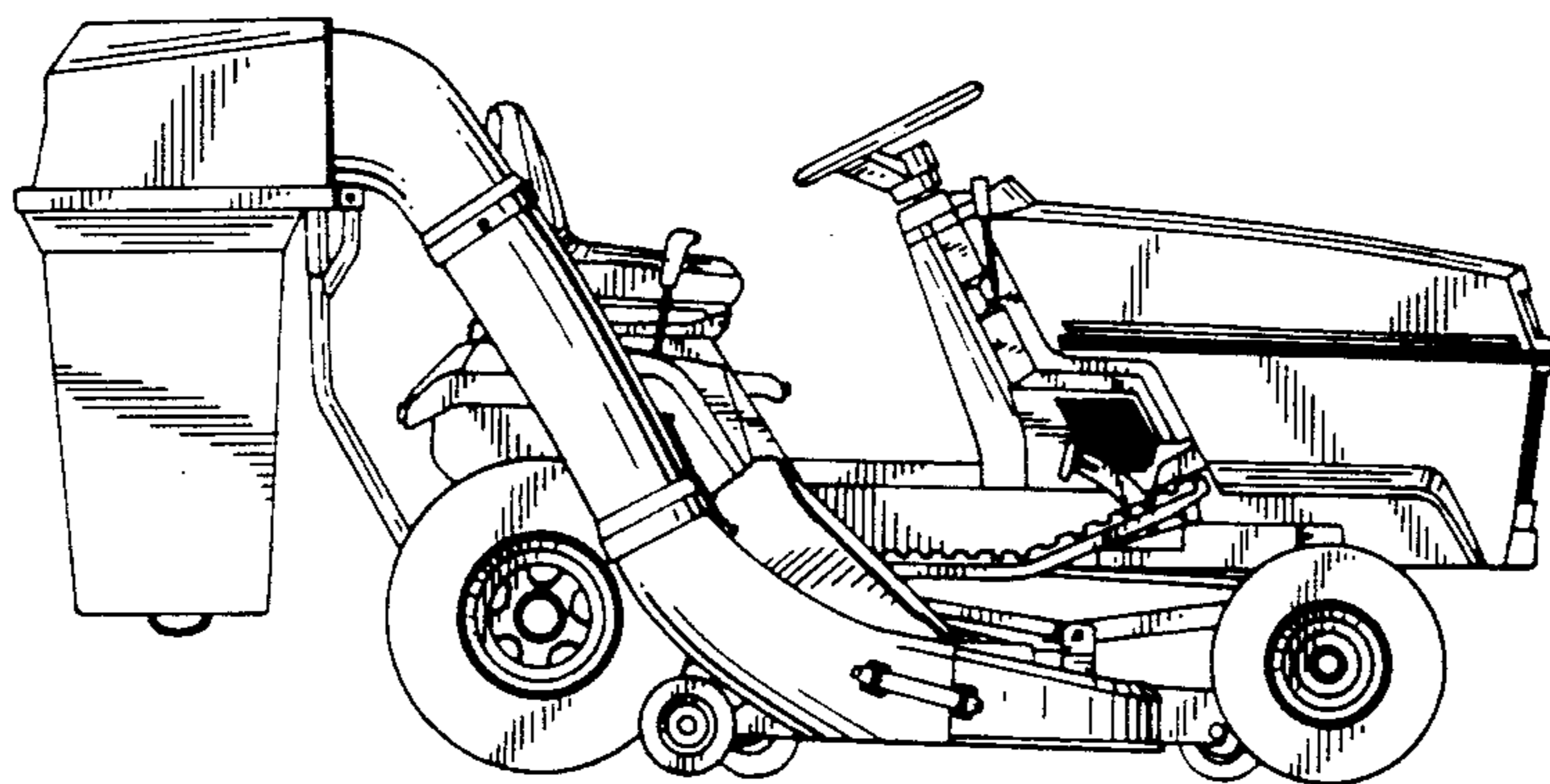


FIG. 7

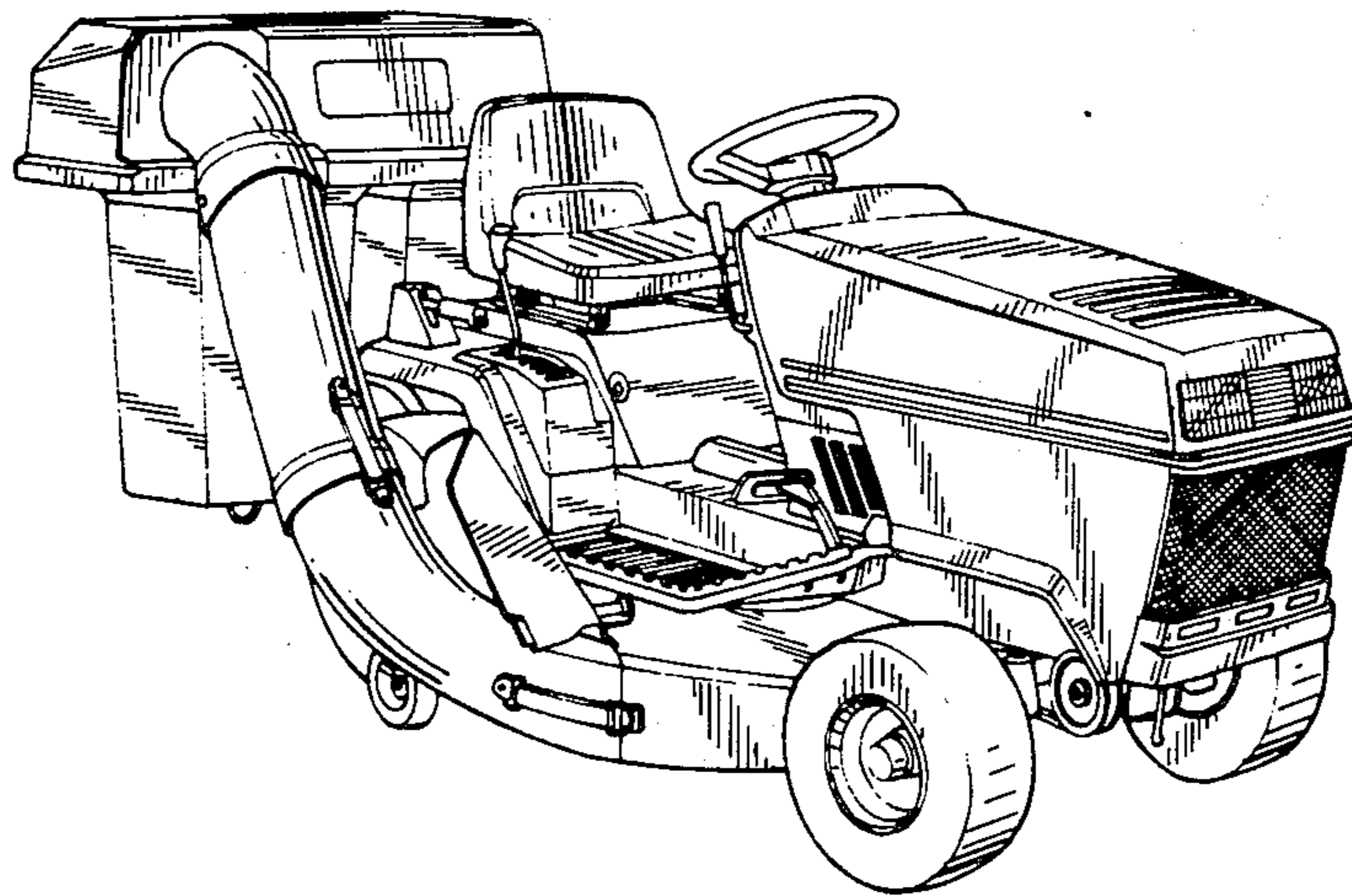


FIG. 8

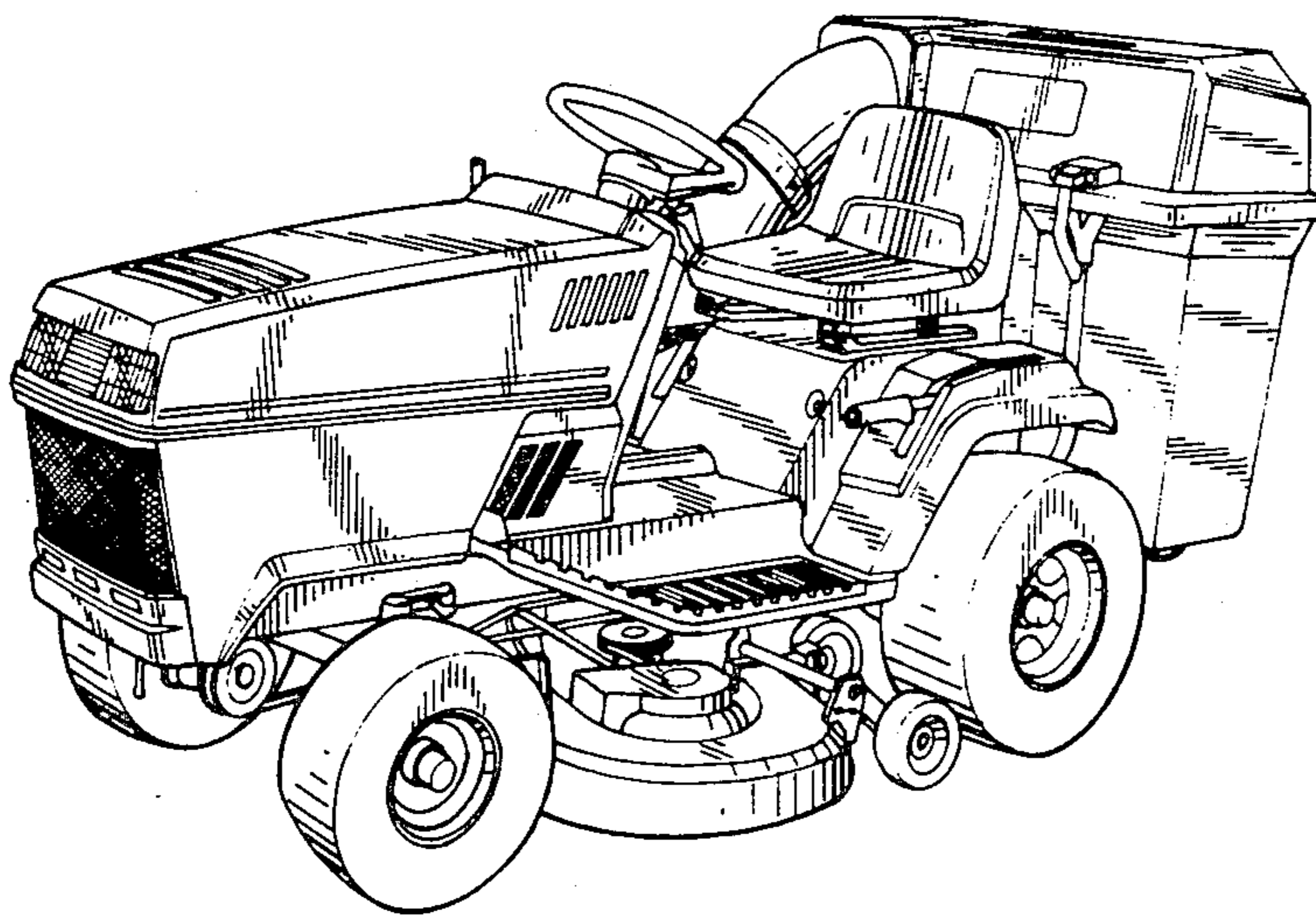


FIG. 9

