

[54] **HYDRAULIC POWER GENERATOR UNIT**

[75] **Inventor: Albert L. Moody, Mableton, Ga.**
[73] **Assignee: F. C. Brown Rentals, Inc., Atlanta, Ga.**

[**] **Term: 14 Years**

[21] **Appl. No.: 603,826**

[22] **Filed: Apr. 25, 1984**

[52] **U.S. Cl. D15/1**

[58] **Field of Search D15/1-9;**
417/226; 416/228, 223; 123/56 B, 56 BC, 56
BA, 41.66-41.67, 41.7, 195 C, 198 E

[56] **References Cited**

U.S. PATENT DOCUMENTS

D. 116,078 8/1939 Jacobs D15/1
D. 140,642 3/1945 Mandt et al. D15/7

D. 215,885 11/1969 Svenson D15/7
D. 229,717 12/1973 Mixon D15/7
D. 277,285 1/1985 Lopez D15/1

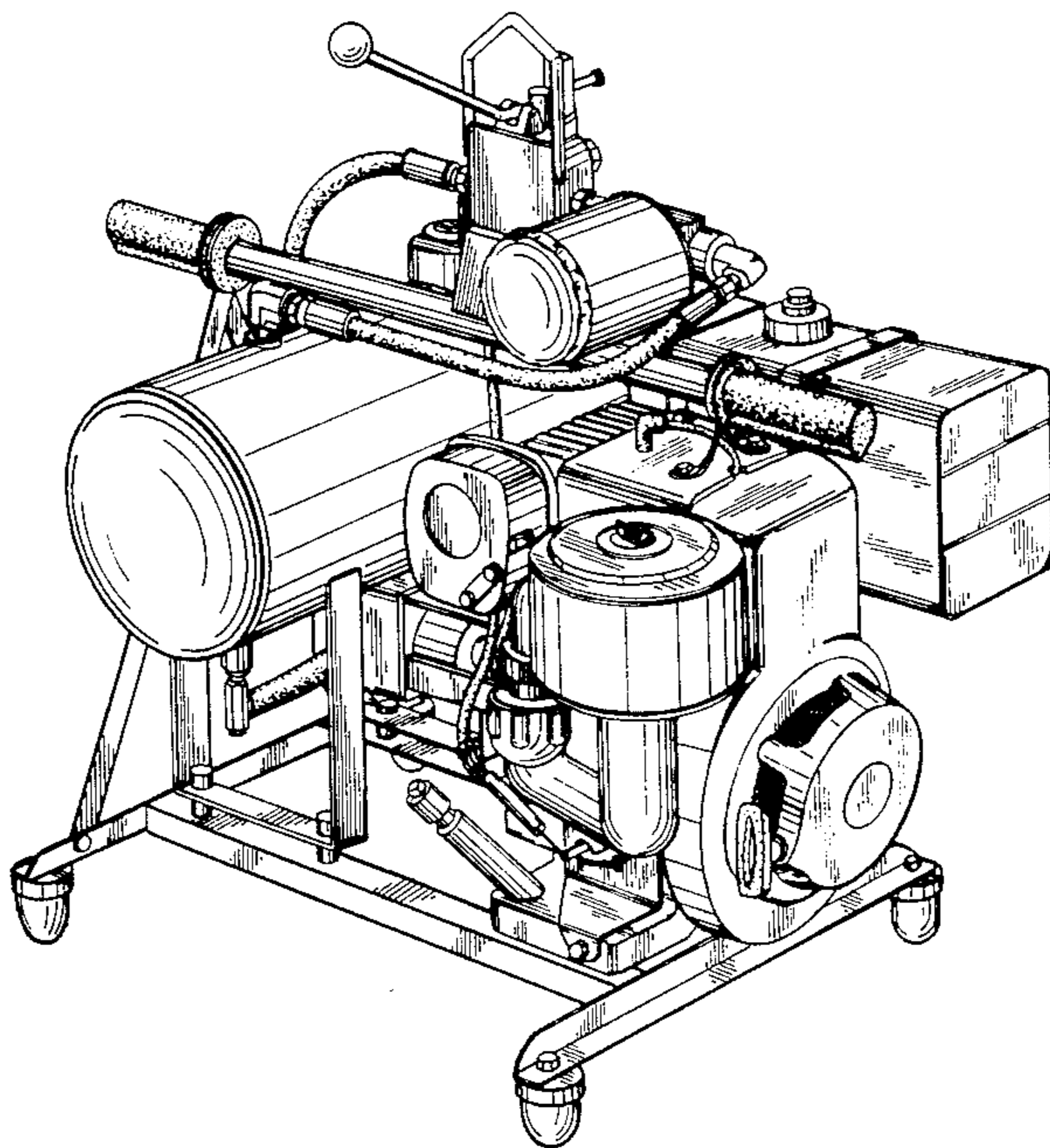
Primary Examiner—Wallace R. Burke
Assistant Examiner—Brian N. Vinson
Attorney, Agent, or Firm—Jones & Askew

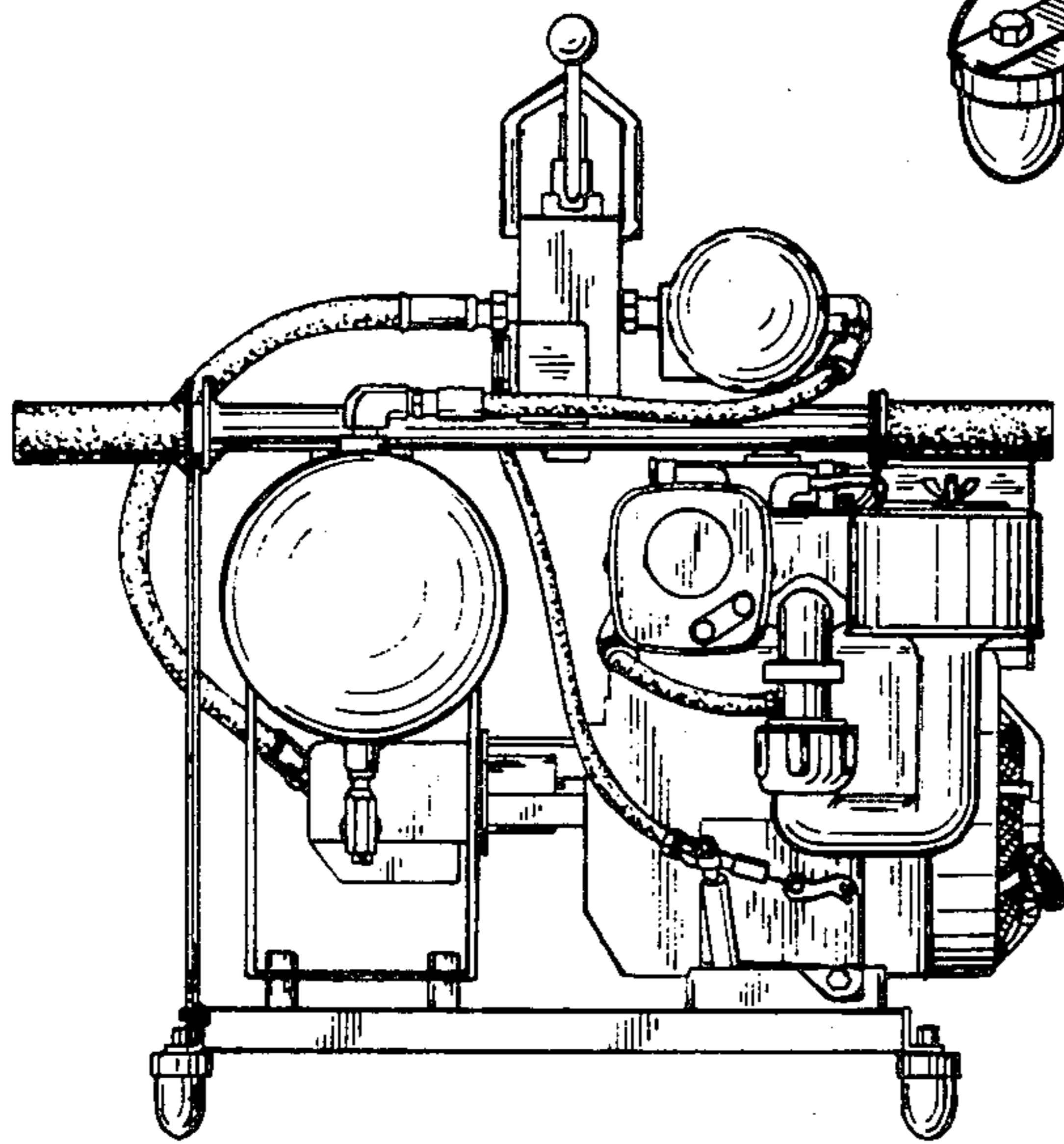
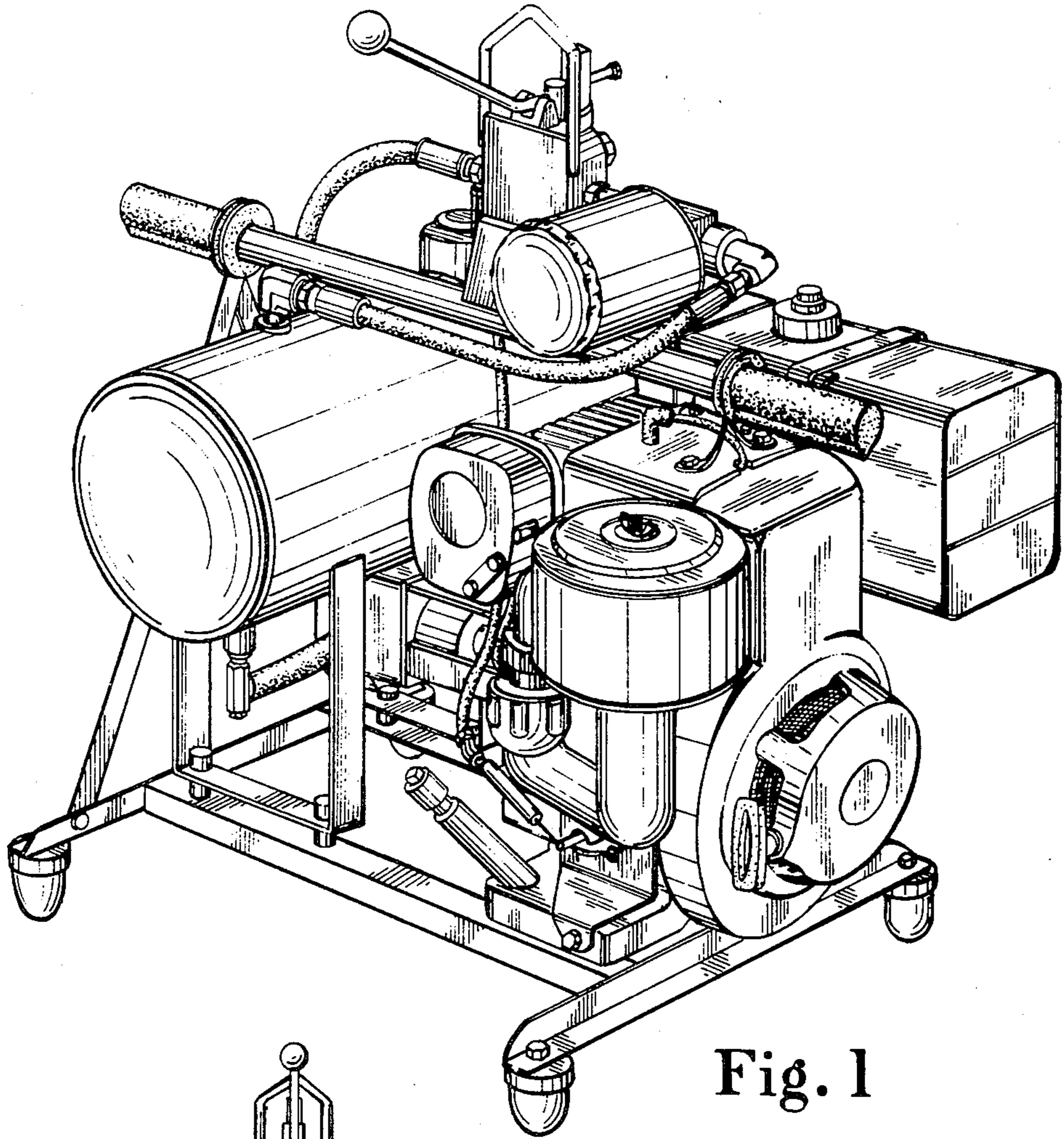
[57] **CLAIM**

The ornamental design for my hydraulic power generator unit, substantially as shown.

DESCRIPTION

FIG. 1 is a top perspective view of a hydraulic power generator unit showing my new design; FIG. 2 is a right side elevation thereof; FIG. 3 is a left side elevation thereof; FIG. 4 is a rear elevation thereof; FIG. 5 is a front elevation thereof; FIG. 6 is a top plan view thereof; and FIG. 7 is a bottom plan view thereof.





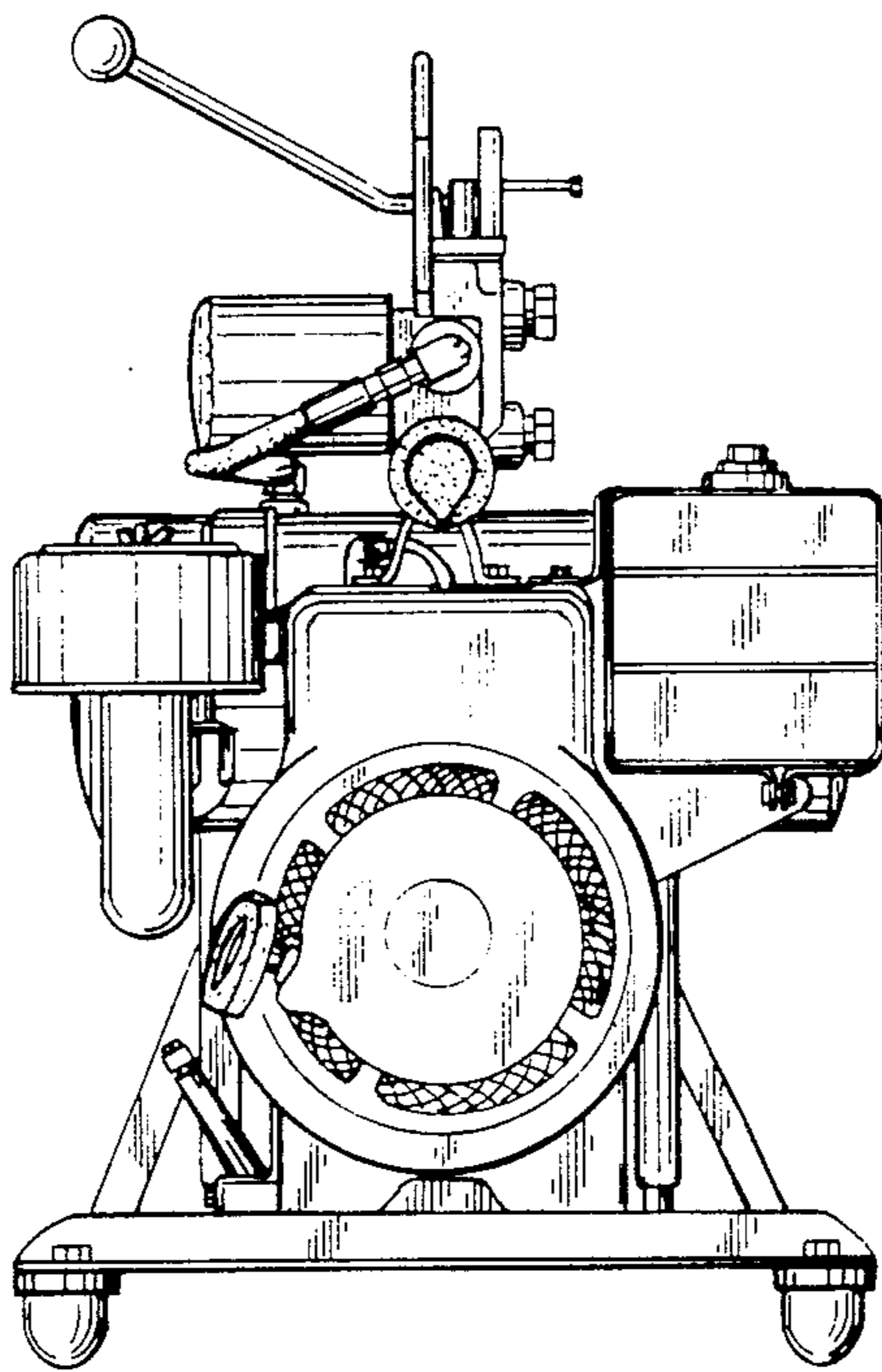


Fig. 2

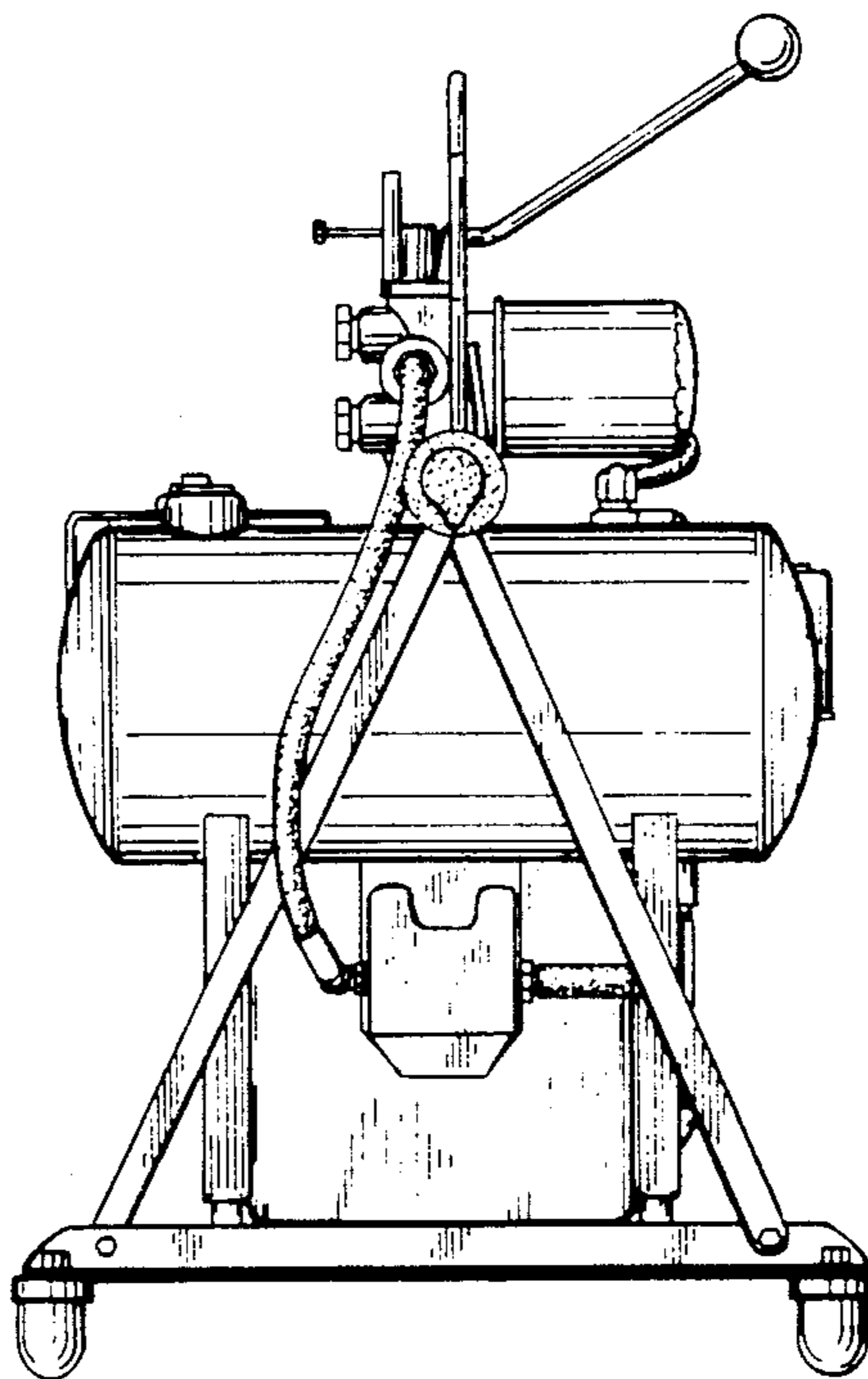


Fig. 3

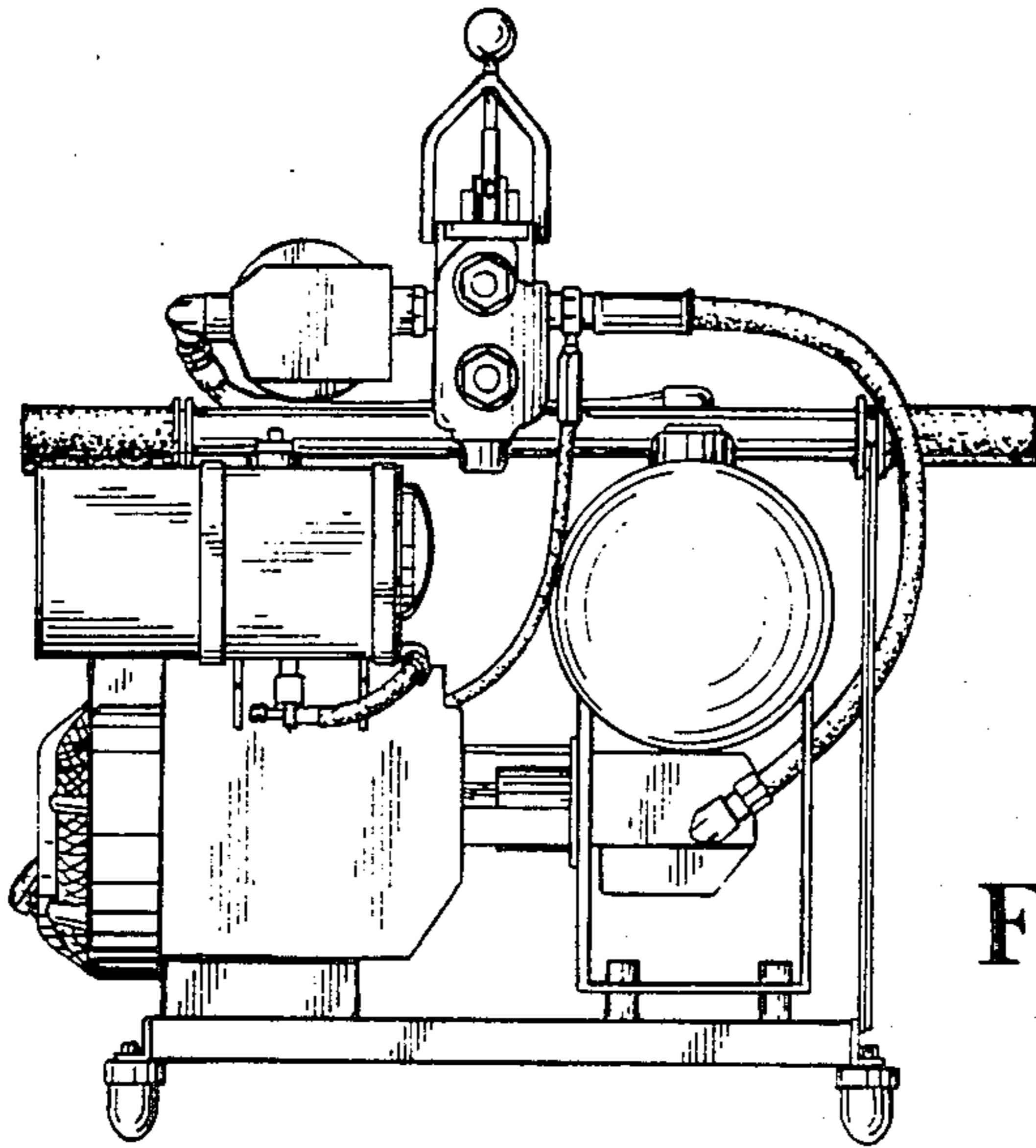


Fig. 4

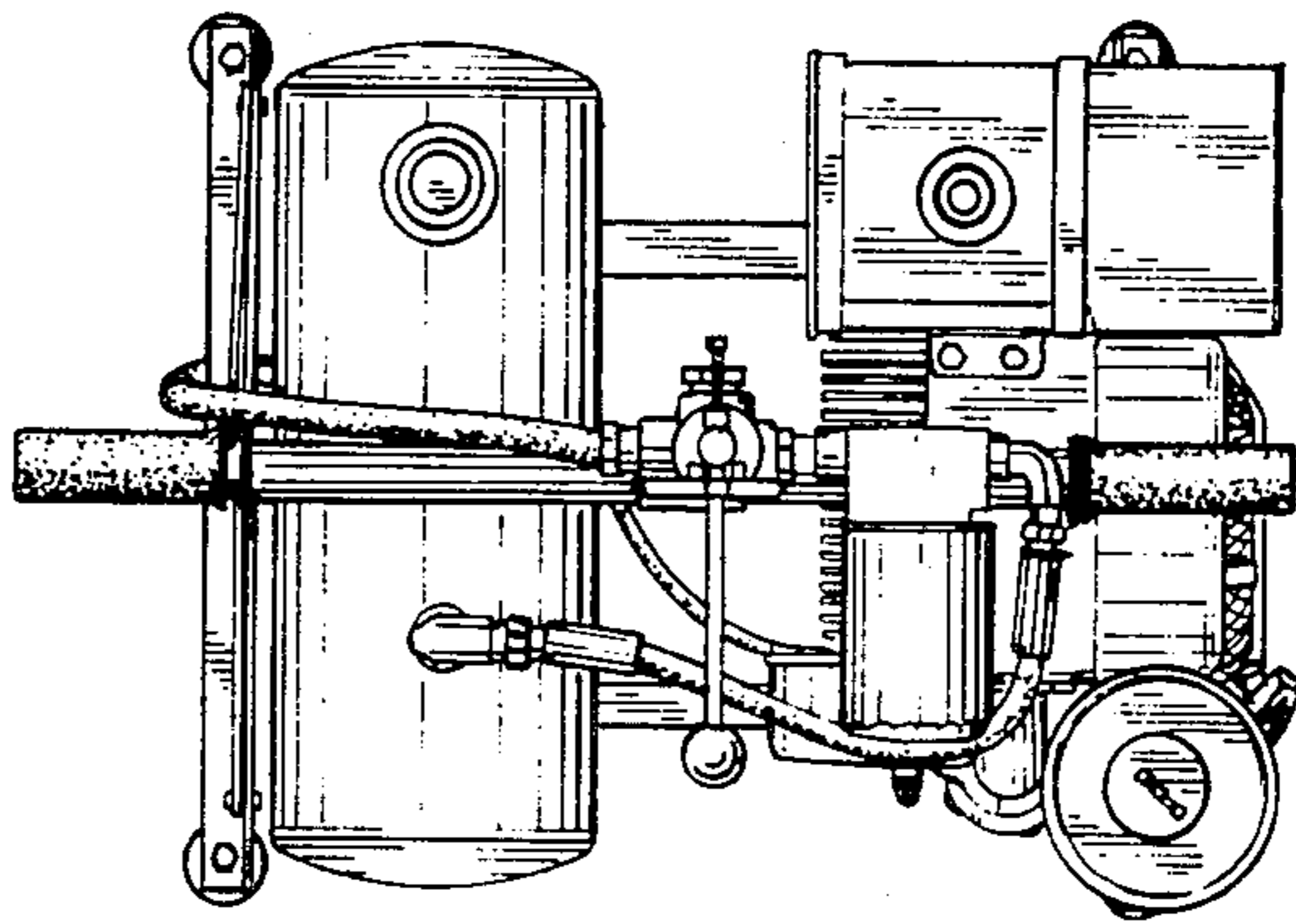


Fig. 6

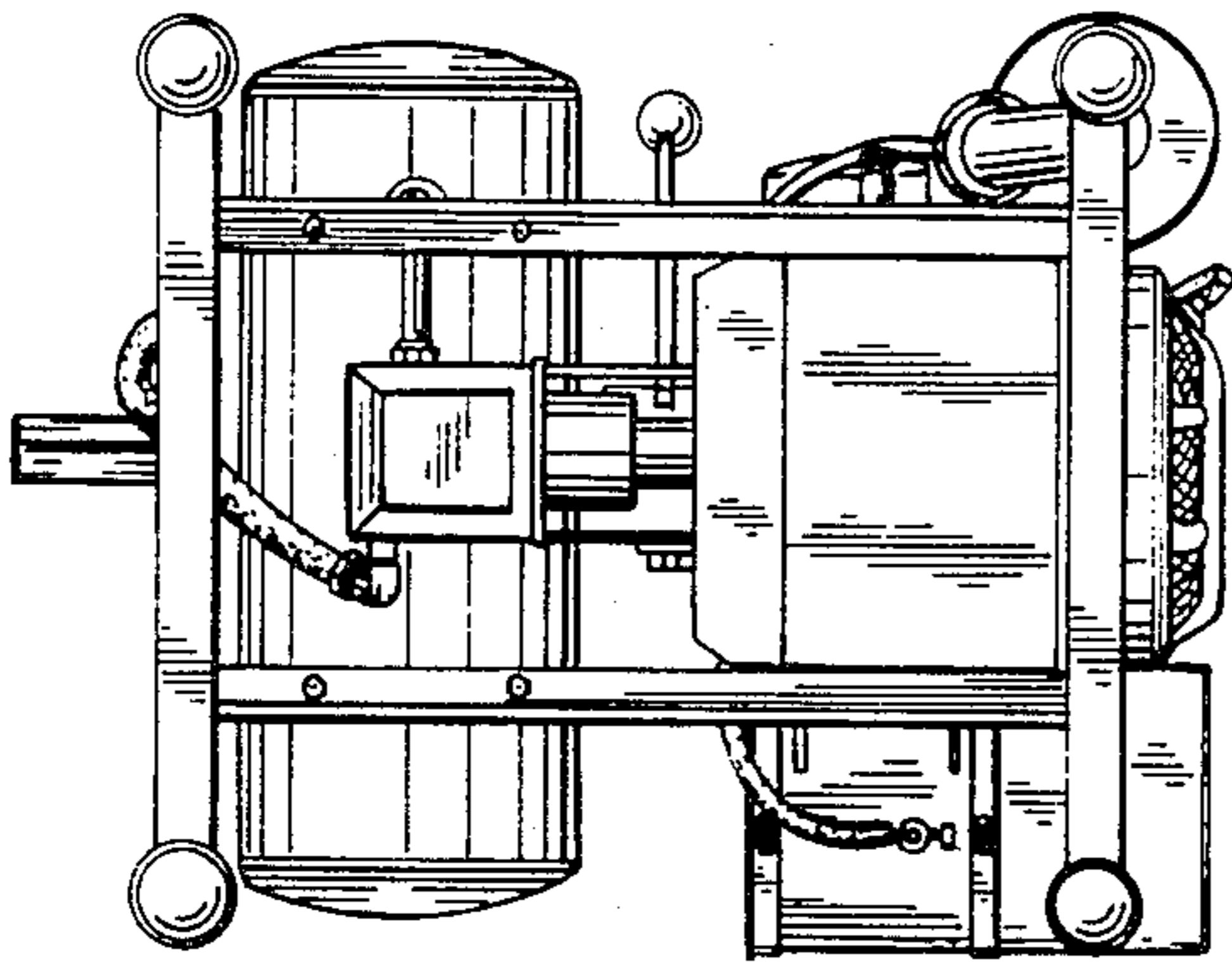


Fig. 7