

[54] INTEGRALLY FORMED INSULATOR ASSEMBLY

[75] Inventor: Keiji Sonoda, Hirakata, Japan

[73] Assignee: Nichifu Terminal Industries Co., Ltd., Osaka, Japan

[**] Term: 14 Years

[21] Appl. No.: 545,324

[22] Filed: Oct. 25, 1983

[52] U.S. Cl. D13/17

[58] Field of Search D13/17, 18; 174/74 A, 174/84 C, 87; 206/330, 820; 339/296 SF

[56] References Cited

U.S. PATENT DOCUMENTS

2,823,789	2/1958	Henning	339/276 SF X
2,963,775	12/1960	Chadwick	174/84 C X
3,231,964	2/1966	Bennett	174/84 C X
3,774,141	11/1973	Condon	339/276 SF X
4,466,692	8/1984	Sonoda	206/330 X

FOREIGN PATENT DOCUMENTS

2908797	9/1979	Fed. Rep. of Germany 206/330
---------	--------	----------------------	---------------

Primary Examiner—Susan J. Lucas
Attorney, Agent, or Firm—Jordan and Hamburg

[57] CLAIM

The ornamental design for an integrally formed insulator assembly, as shown and described.

DESCRIPTION

FIG. 1 is a left side elevational view of an integrally formed insulator assembly showing my new design, it being understood that the assembly has an indefinite length;

FIG. 2 is a right side elevational view thereof;

FIG. 3 is a top plan view thereof;

FIG. 4 is a bottom plan view thereof;

FIG. 5 is an end elevational view thereof;

FIG. 6 is a sectional view taken along line VI—VI of FIG. 1;

FIG. 7 is a sectional view taken along line VII—VII of FIG. 1;

FIG. 8 is a sectional view taken along line VIII—VIII of FIG. 1;

FIG. 9 is a fragmentary view thereof; and

FIG. 10 is a sectional view of the insulator with terminal and wire in place.

There terminal and wire are shown in broken lines for illustrative purposes only.

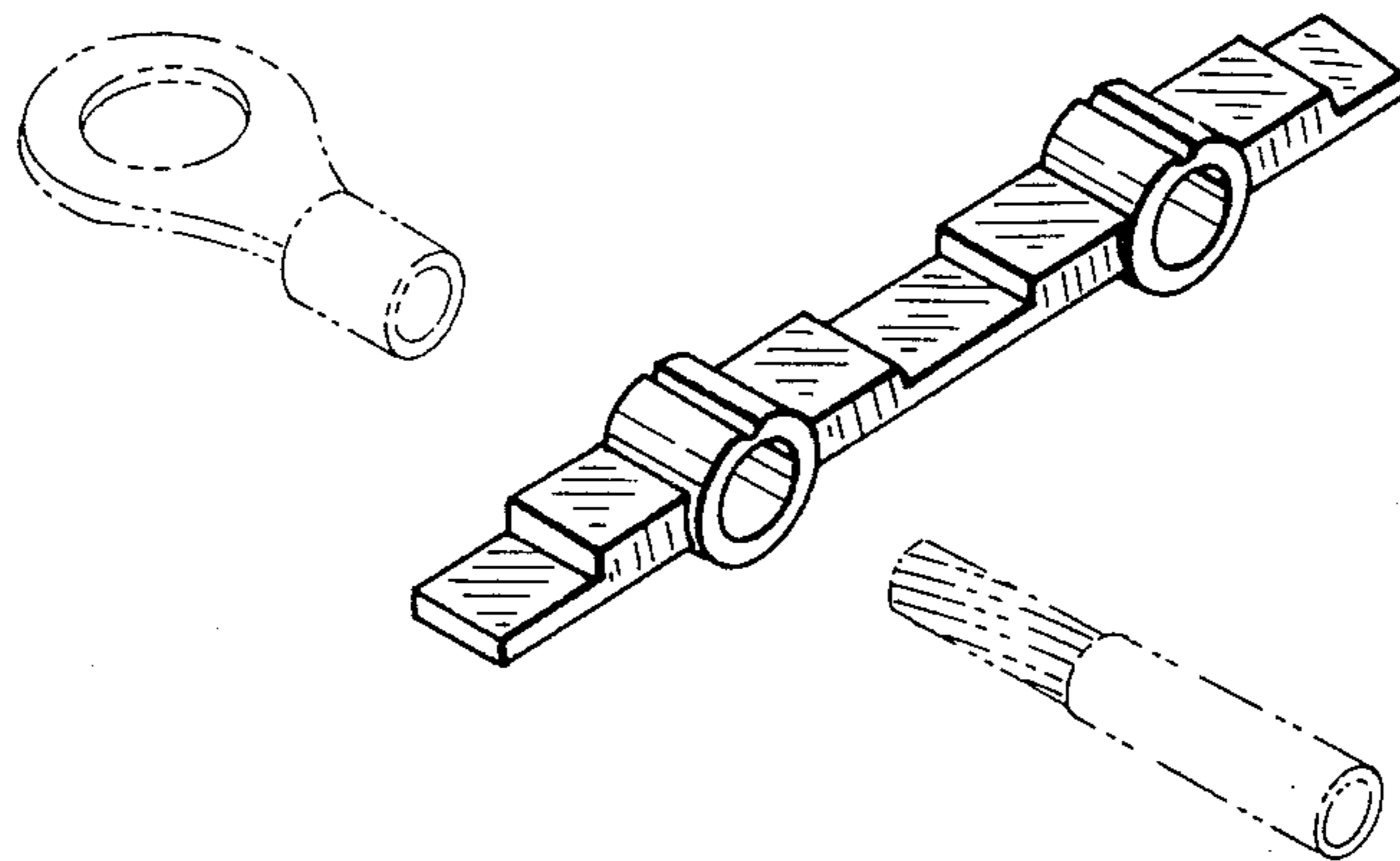


Fig. 1

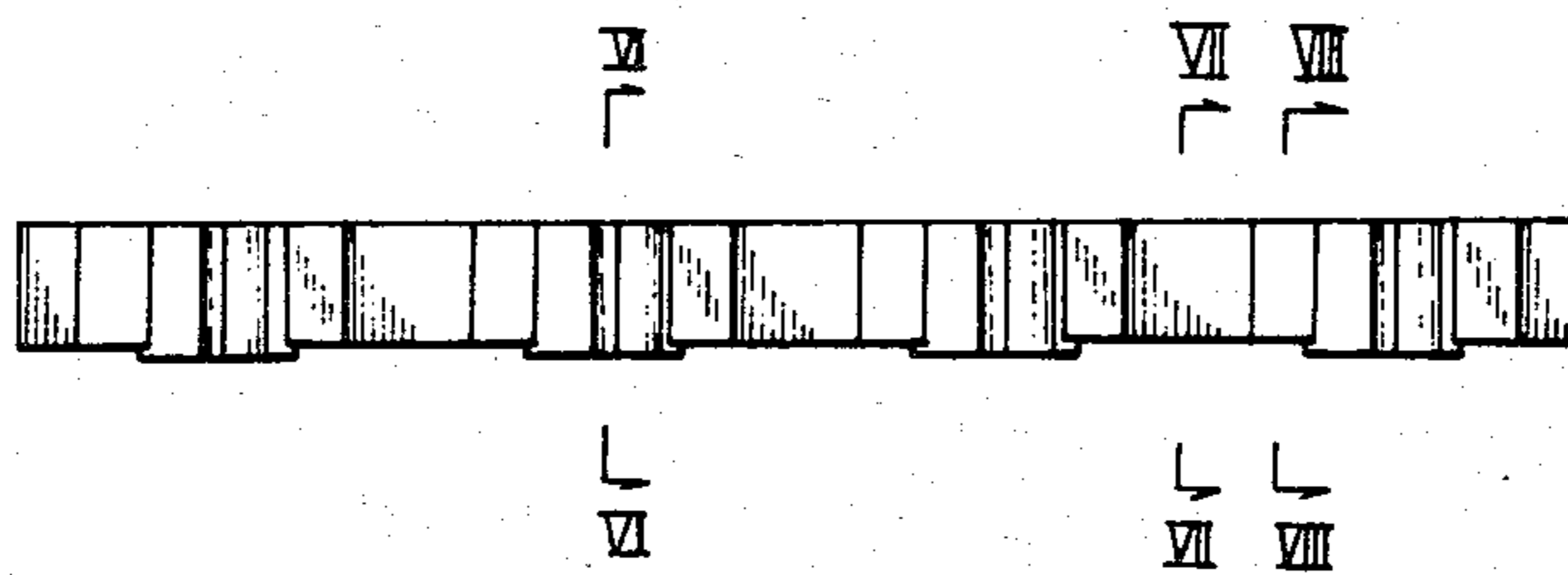


Fig. 2



Fig. 3



Fig. 4



Fig. 5



Fig. 6



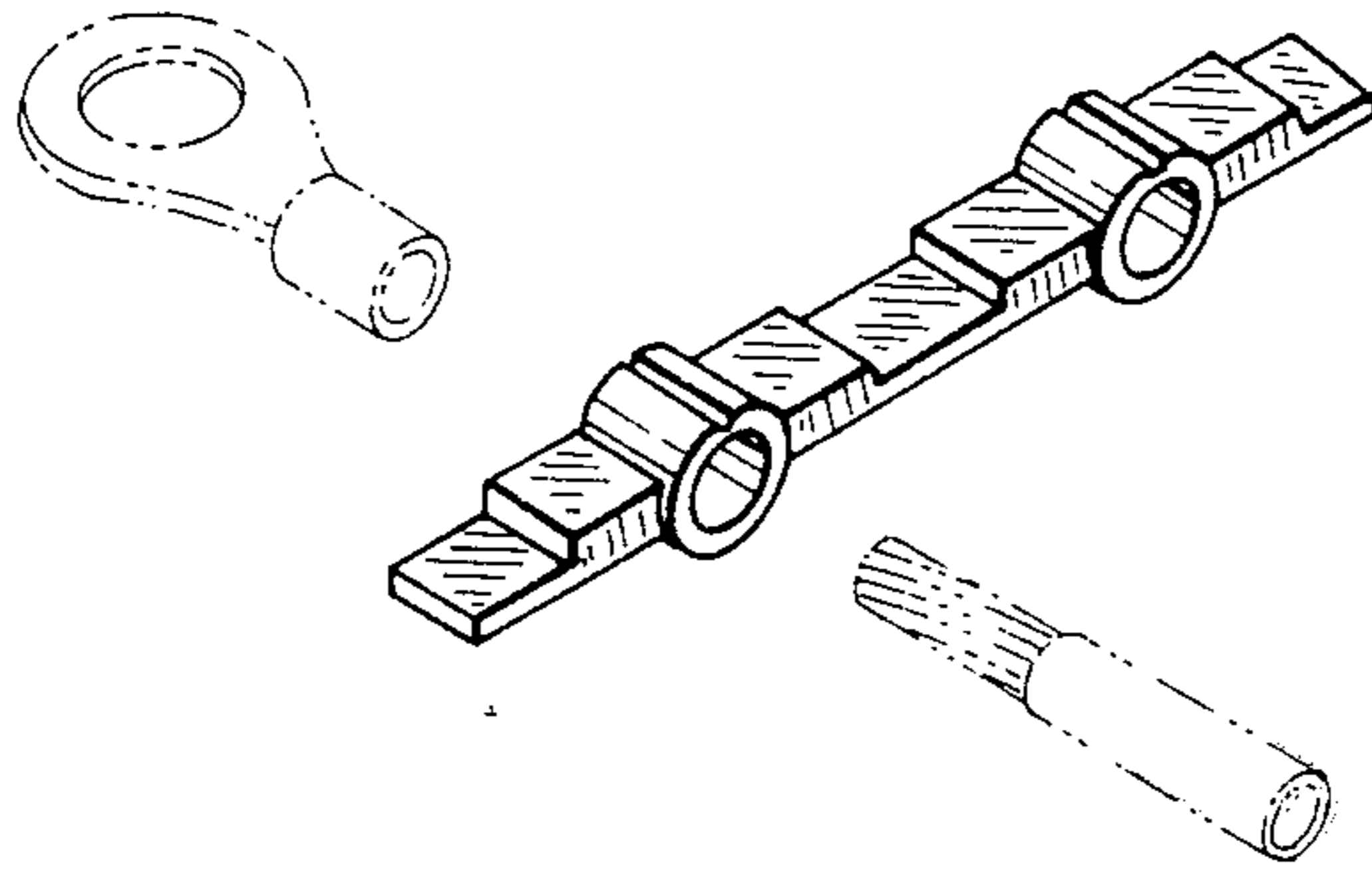
Fig. 7



Fig. 8



F i g . 9



F i g . 10

