

[54] COMBINED JUMPER CABLE CONTROL BOX AND LAMP

[75] Inventor: Bobby L. Bates, San Dimas, Calif.

[73] Assignee: Bates - Johnson & Co., Inc., San Dimas, Calif.

[**] Term: 14 Years

[21] Appl. No.: 571,837

[22] Filed: Jan. 19, 1984

[52] U.S. Cl. D13/5

[58] Field of Search D13/2, 4-12, D13/15, 40-41; D10/77; 339/29 B, 29 R; 307/150; 320/2-5; 429/48, 96, 100, 187

[56] References Cited

U.S. PATENT DOCUMENTS

- D. 252,502 7/1979 Kelly, III D10/77
- D. 280,614 9/1985 Bates D13/5
- D. 281,314 11/1985 Bates D13/5

OTHER PUBLICATIONS

J. C. Whitney Auto Accessories Catalog, ©1979, p.

135, Electronic Ignition System Analyzer, (J. Gandy's Digest).

J. C. Whitney Auto Accessories Catalog, ©1979, p. 135, New Charging System Analyzer.

J. C. Whitney Auto Accessories Catalog, ©1979, p. 136 UL Listed Battery Charger.

Primary Examiner—Catherine E. Kemper

Assistant Examiner—Ruth E. Takemoto

Attorney, Agent, or Firm—Christie, Parker & Hale

[57] CLAIM

The ornamental design for a combined jumper cable control box and lamp, substantially as shown and described.

DESCRIPTION

FIG. 1 is a perspective view of a combined jumper cable control box and lamp, with associated cables and terminal clamps being shown in broken lines for illustrative purposes only and forms no part of the claimed design;

FIG. 2 is a top plan view thereof;

FIG. 3 is a side elevational view thereof, the two sides being substantially identical;

FIG. 4 is a bottom plan view thereof;

FIG. 5 is a front elevational view thereof;

FIG. 6 is a rear elevational view thereof.

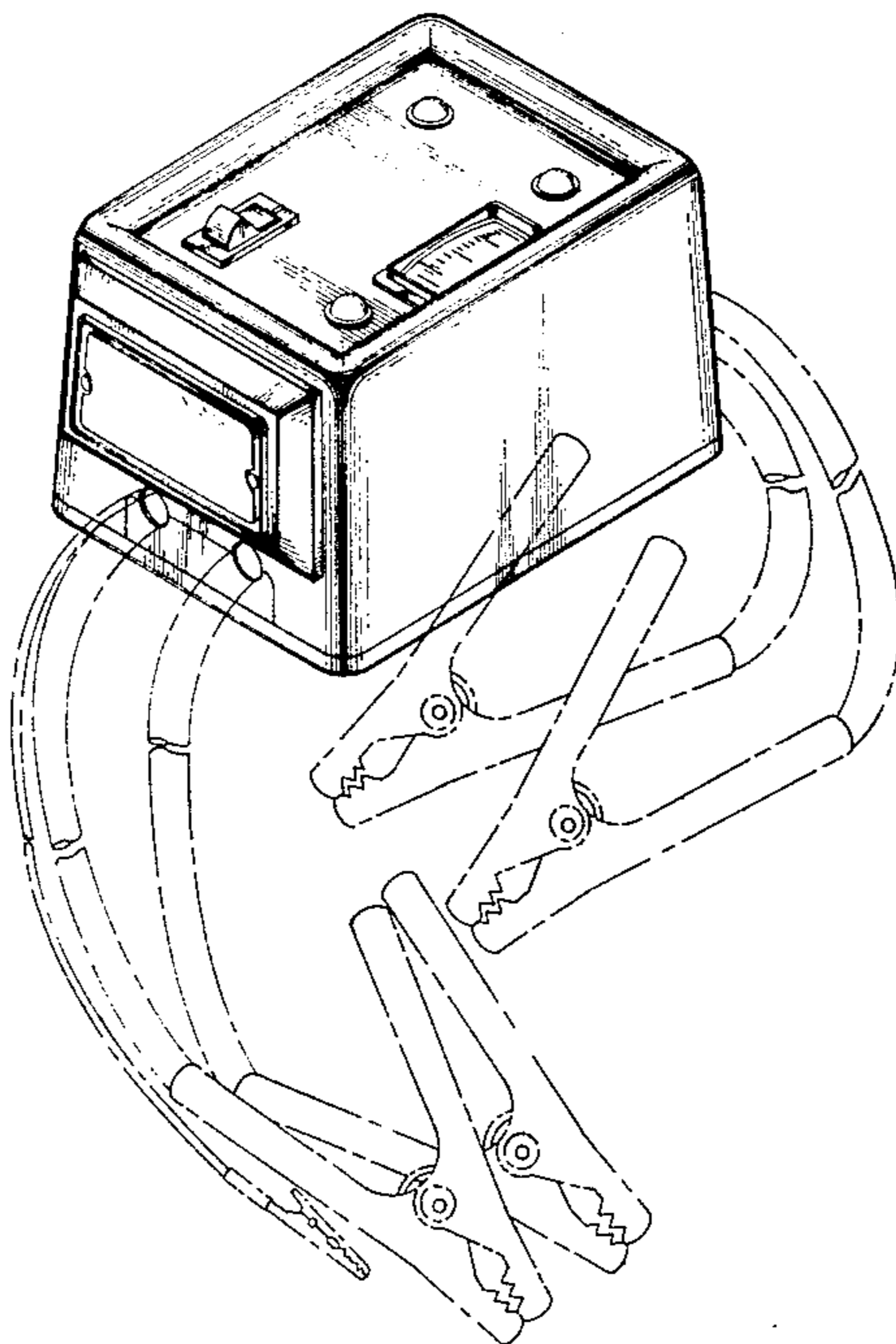


Fig. 1.

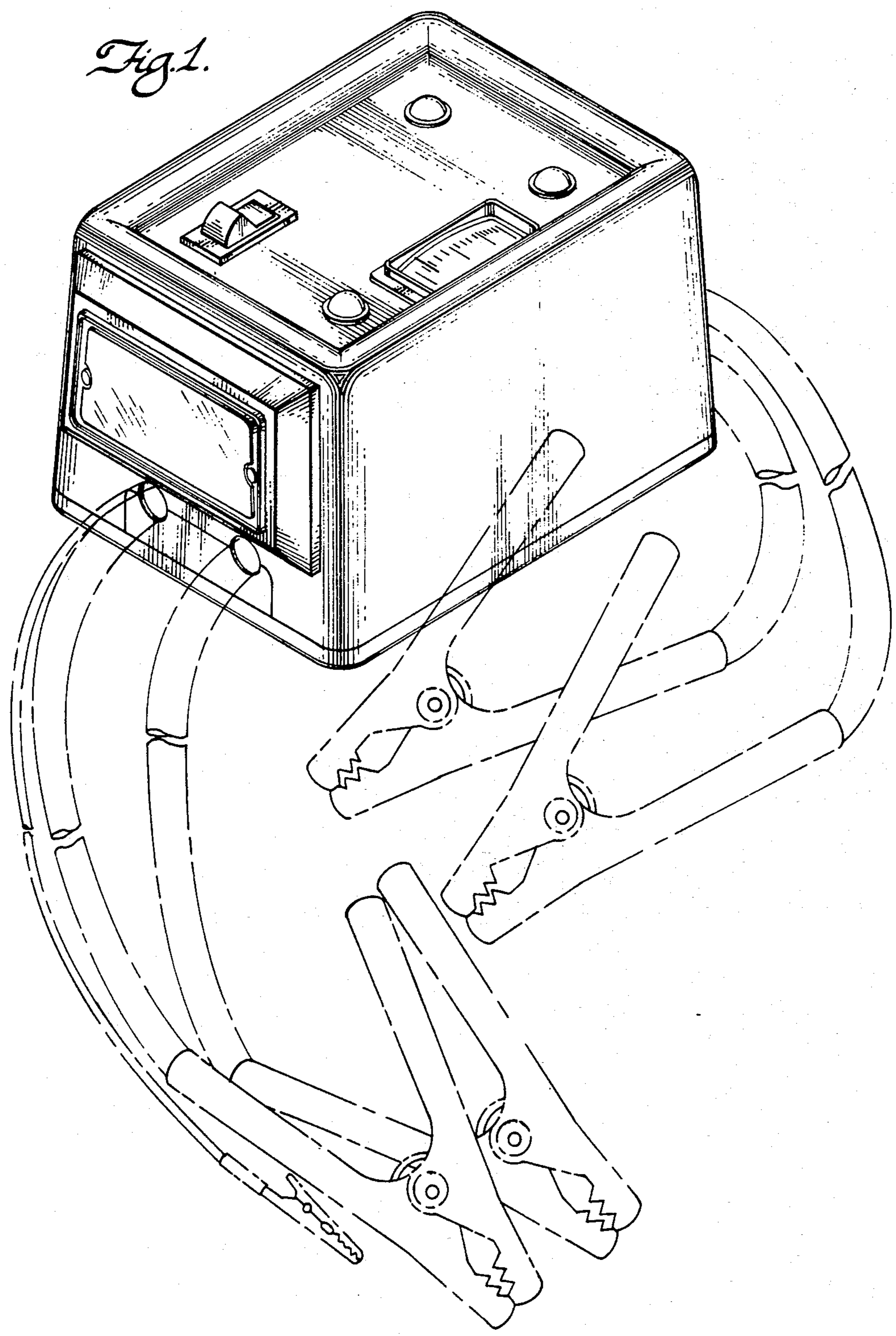


Fig. 2.

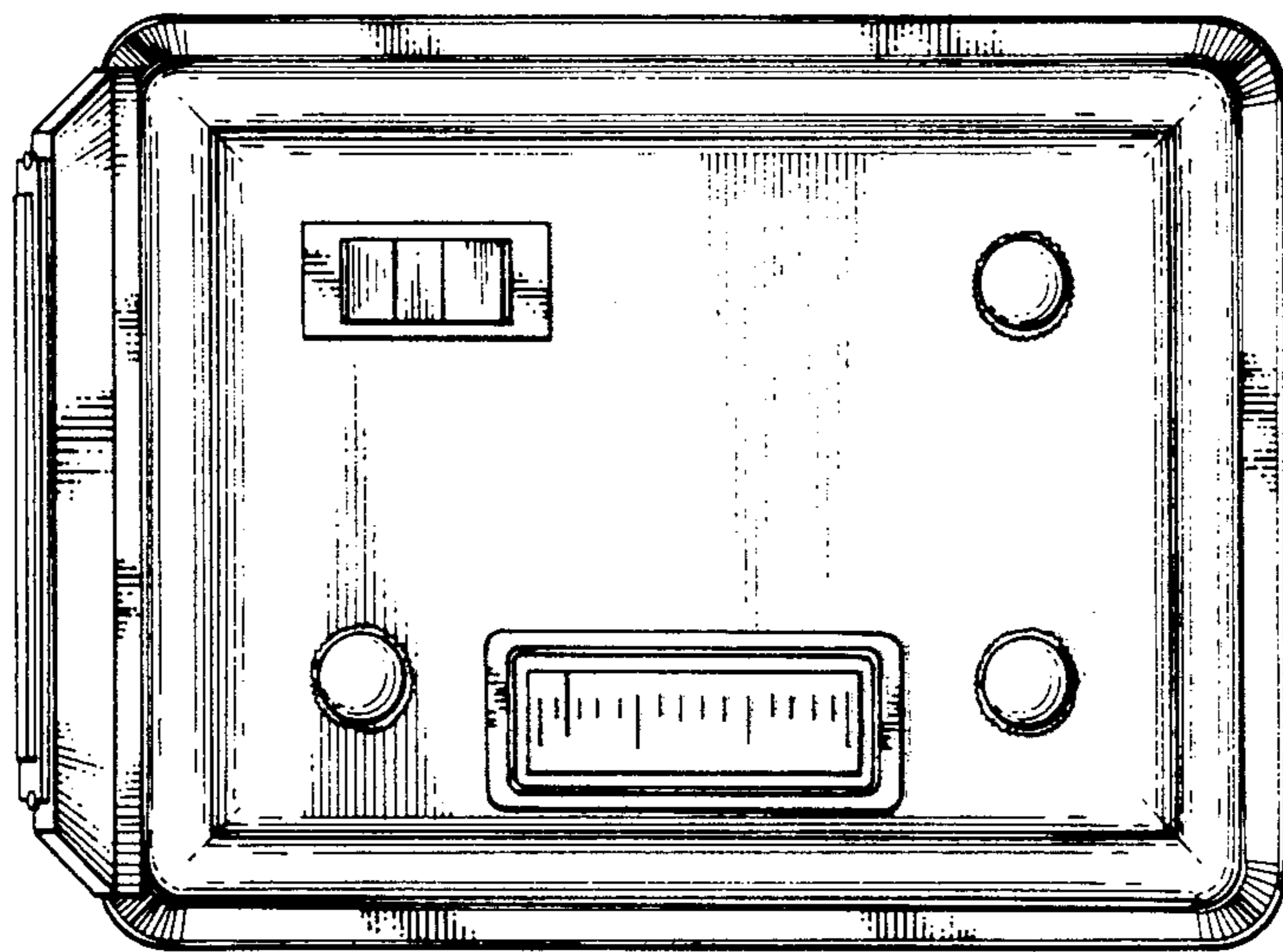


Fig. 3.

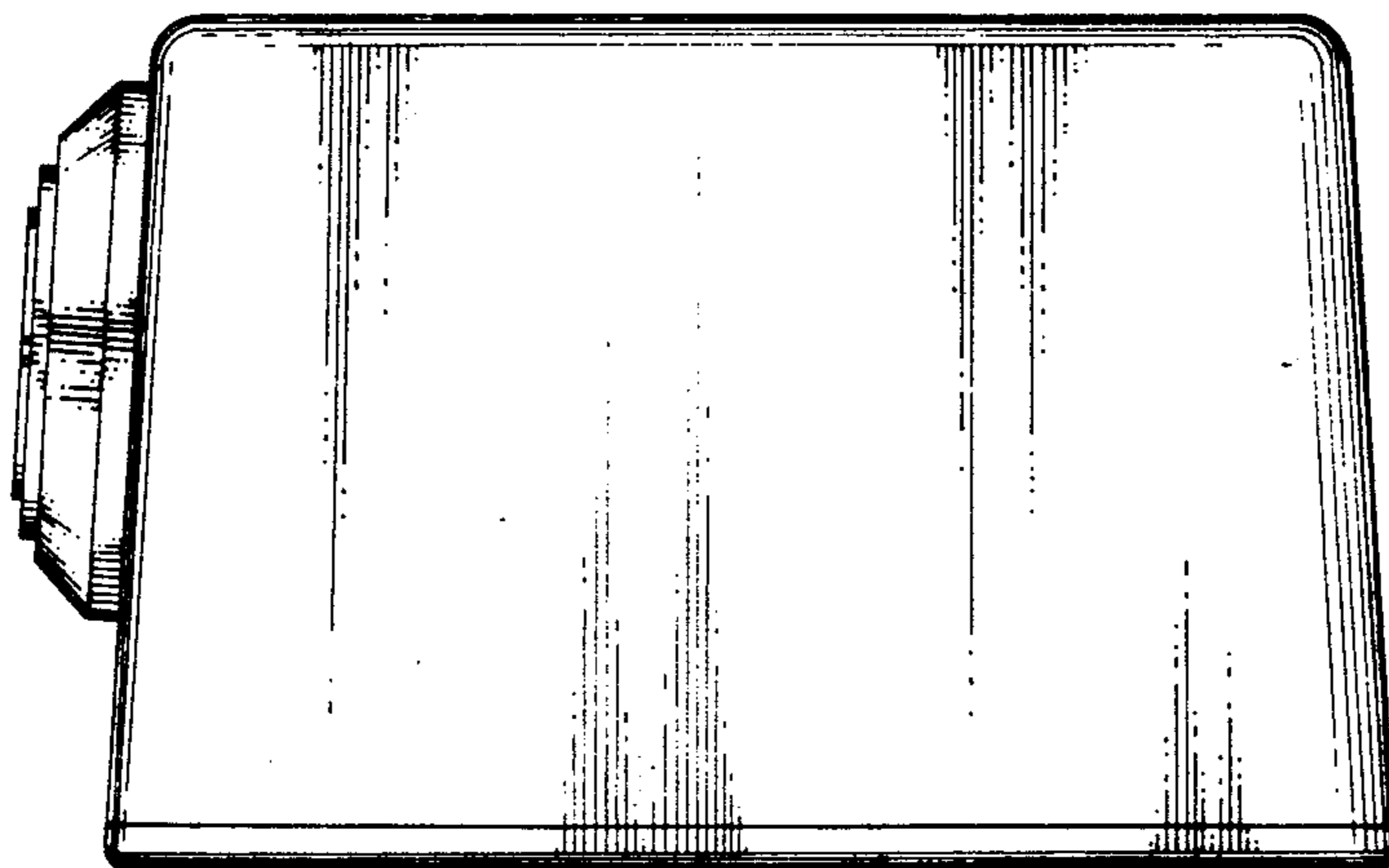


Fig. 4.

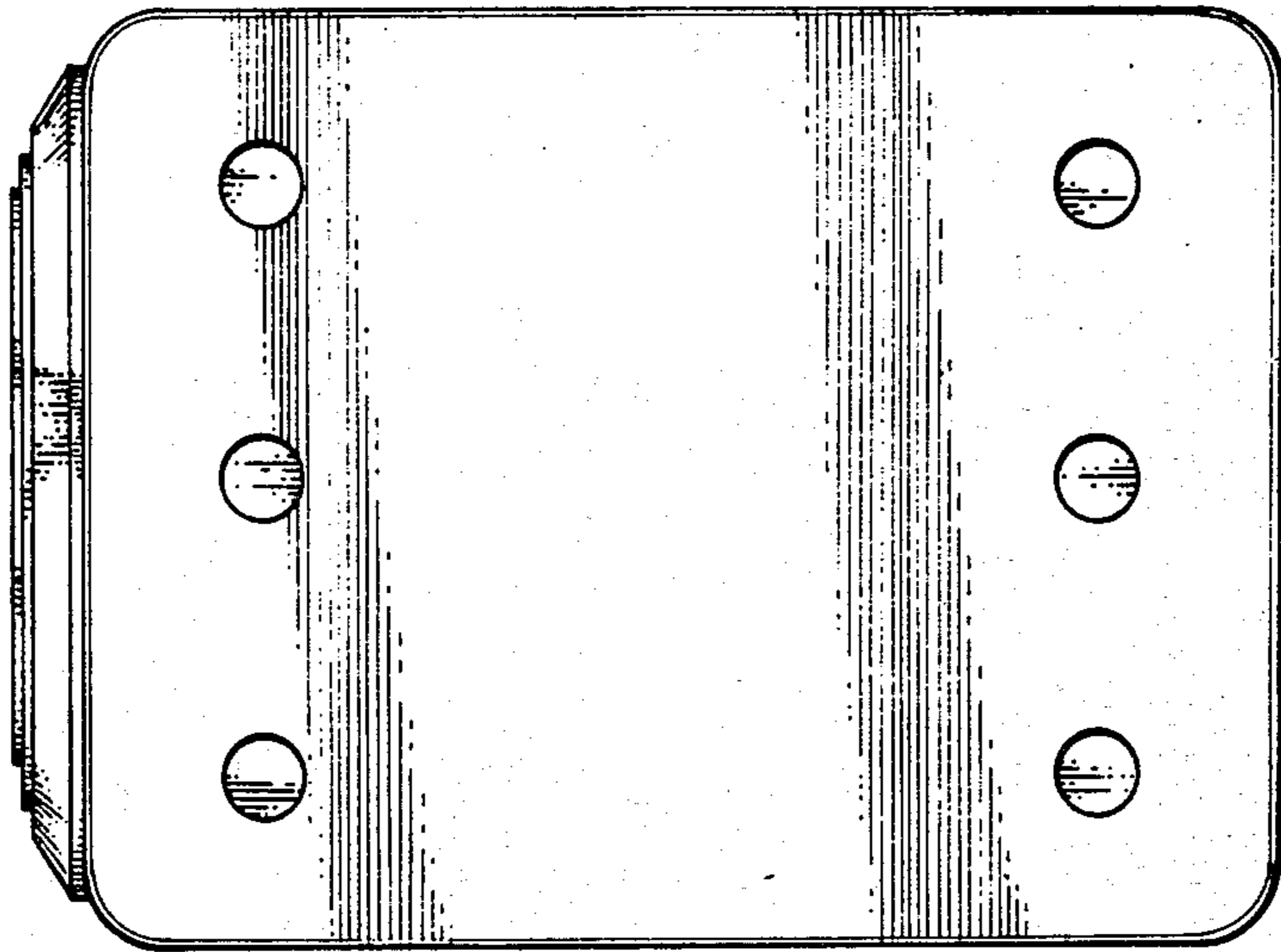


Fig. 5.

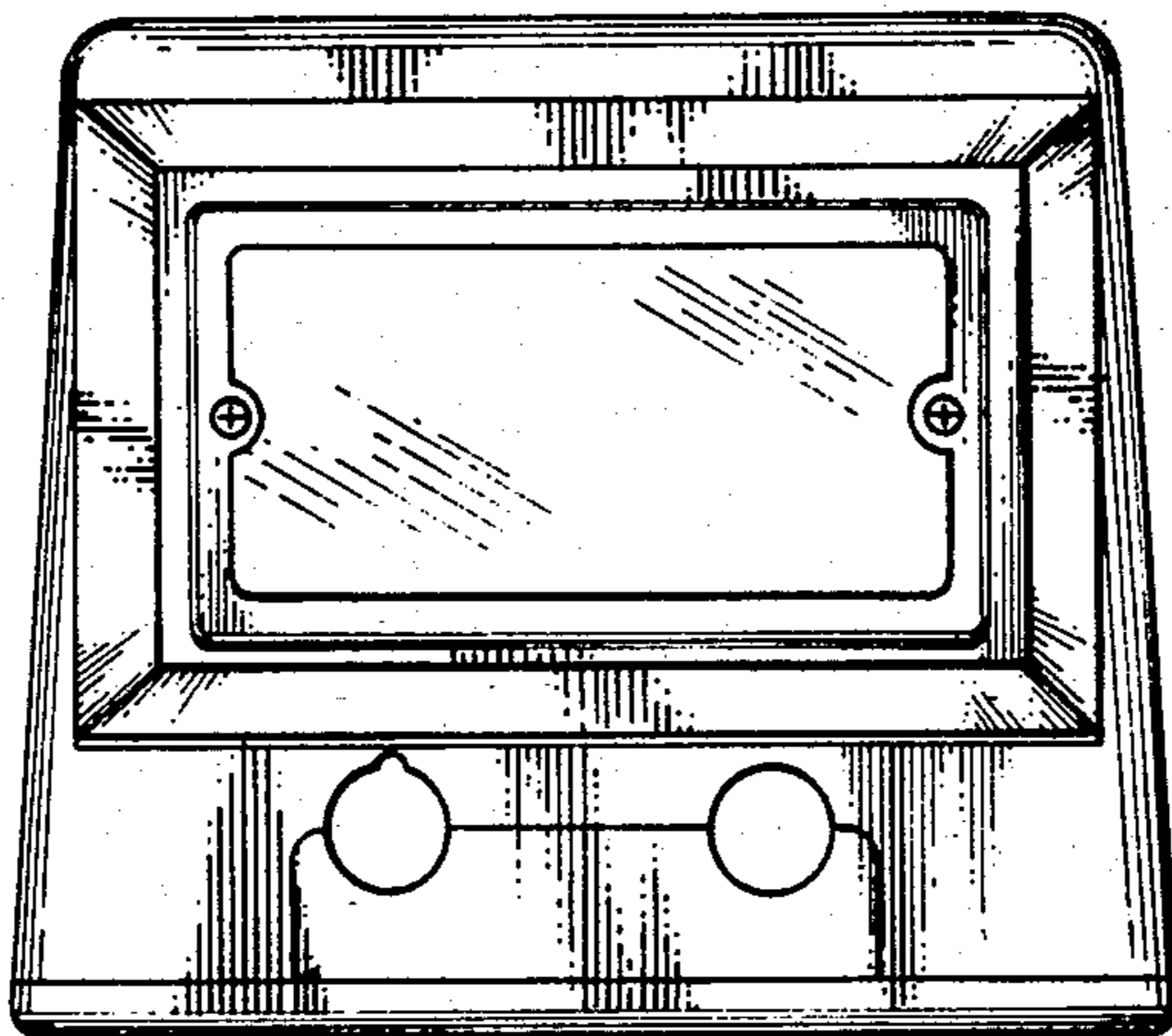


Fig. 6.

