

[54] FOUR WHEELED MOTORCYCLE

56-26726 6/1981 Japan .

[75] Inventor: Kazuyuki Takagaki, Kosai, Japan

56-32830 7/1981 Japan .

[73] Assignee: Suzuki Jidosha Kogyo Kabushiki Kaisha, Shizuoka, Japan

56-32831 7/1981 Japan .

56-32828 7/1981 Japan .

38548 9/1982 Rep. of Korea .

[**] Term: 14 Years

Primary Examiner—James M. Gandy

Attorney, Agent, or Firm—Quaintance, Murphy & Presta

[21] Appl. No.: 602,456

[57] CLAIM

[22] Filed: Apr. 20, 1984

The ornamental design for a four wheeled motorcycle, as shown.

[30] Foreign Application Priority Data

Mar. 9, 1984 [JP] Japan 59-9389

[52] U.S. Cl. D12/107; D12/3

[58] Field of Search D12/107, 110, 3; 180/233, 241, 251, 311

DESCRIPTION

FIG. 1 is a left side perspective view of a four wheeled motorcycle showing my new design;

FIG. 2 is a right side perspective view thereof;

FIG. 3 is a rear perspective view thereof;

FIG. 4 is a front perspective view thereof;

FIG. 5 is a top perspective view thereof;

FIG. 6 is a bottom perspective view thereof;

FIG. 7 is a front, top and right side perspective view thereof.

[56] References Cited

FOREIGN PATENT DOCUMENTS

87018 2/1983 Australia .

87019 2/1983 Australia .

51469 6/1983 Canada .

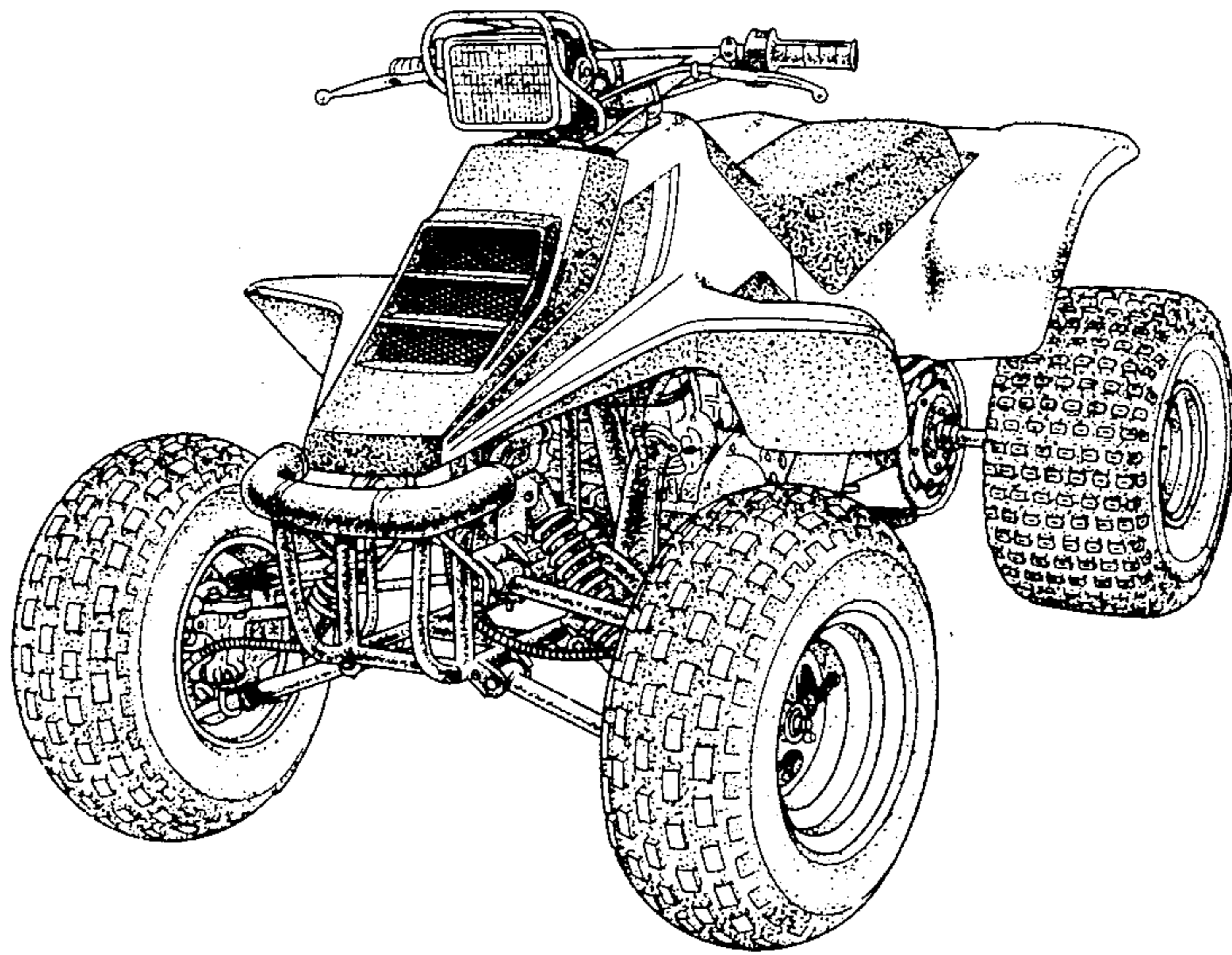


FIG. 1

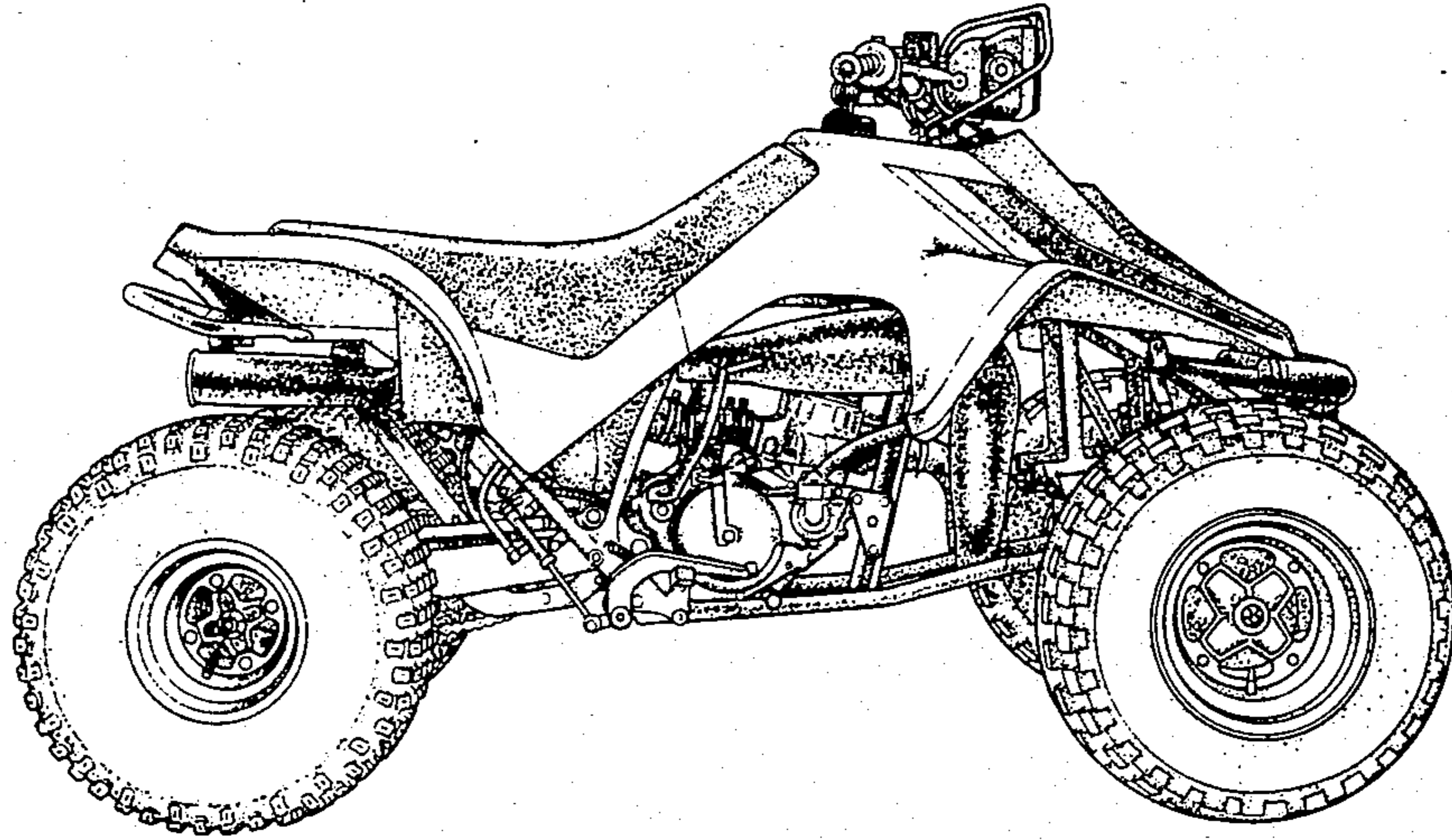


FIG. 2

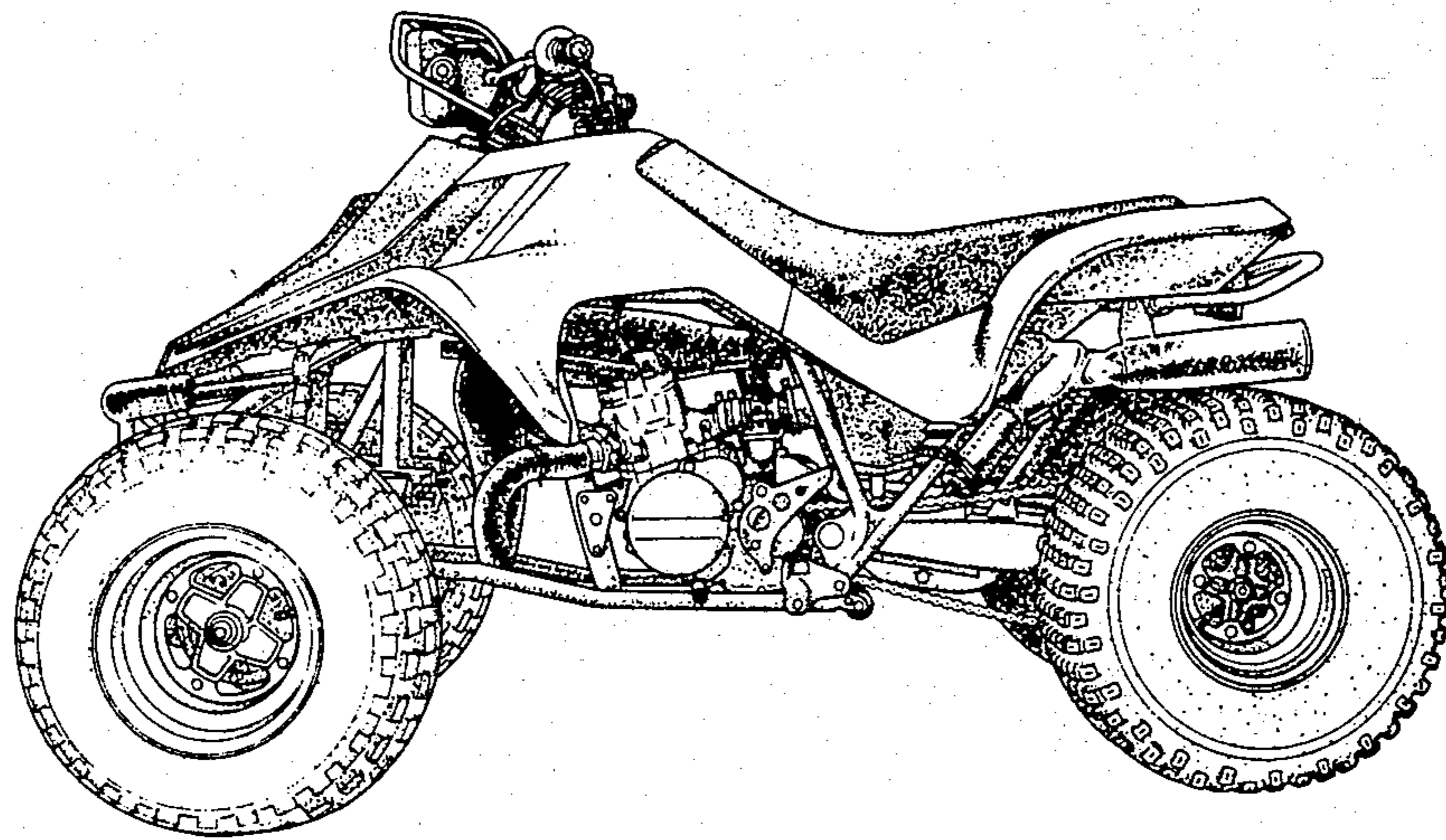


FIG. 3

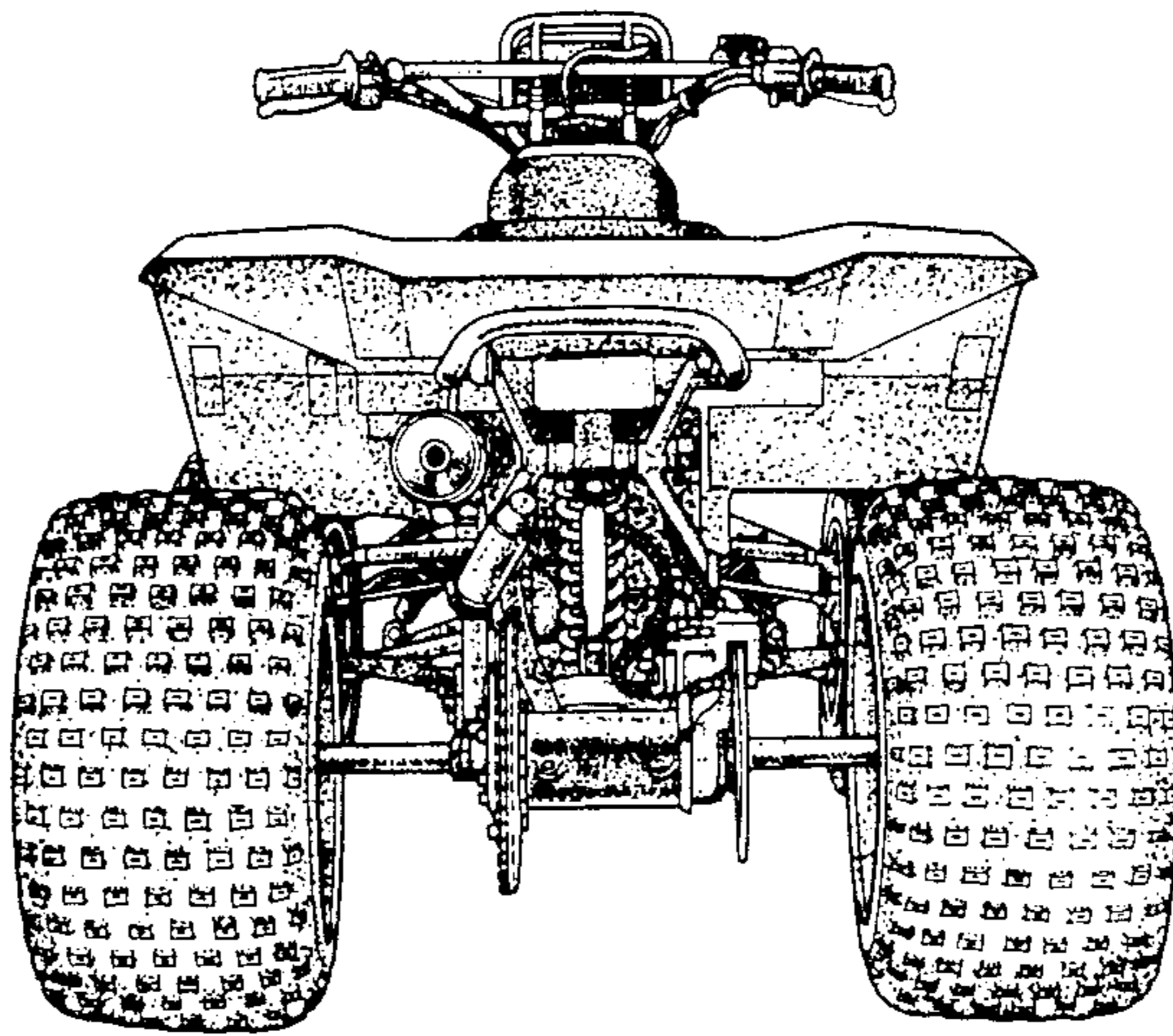


FIG. 4

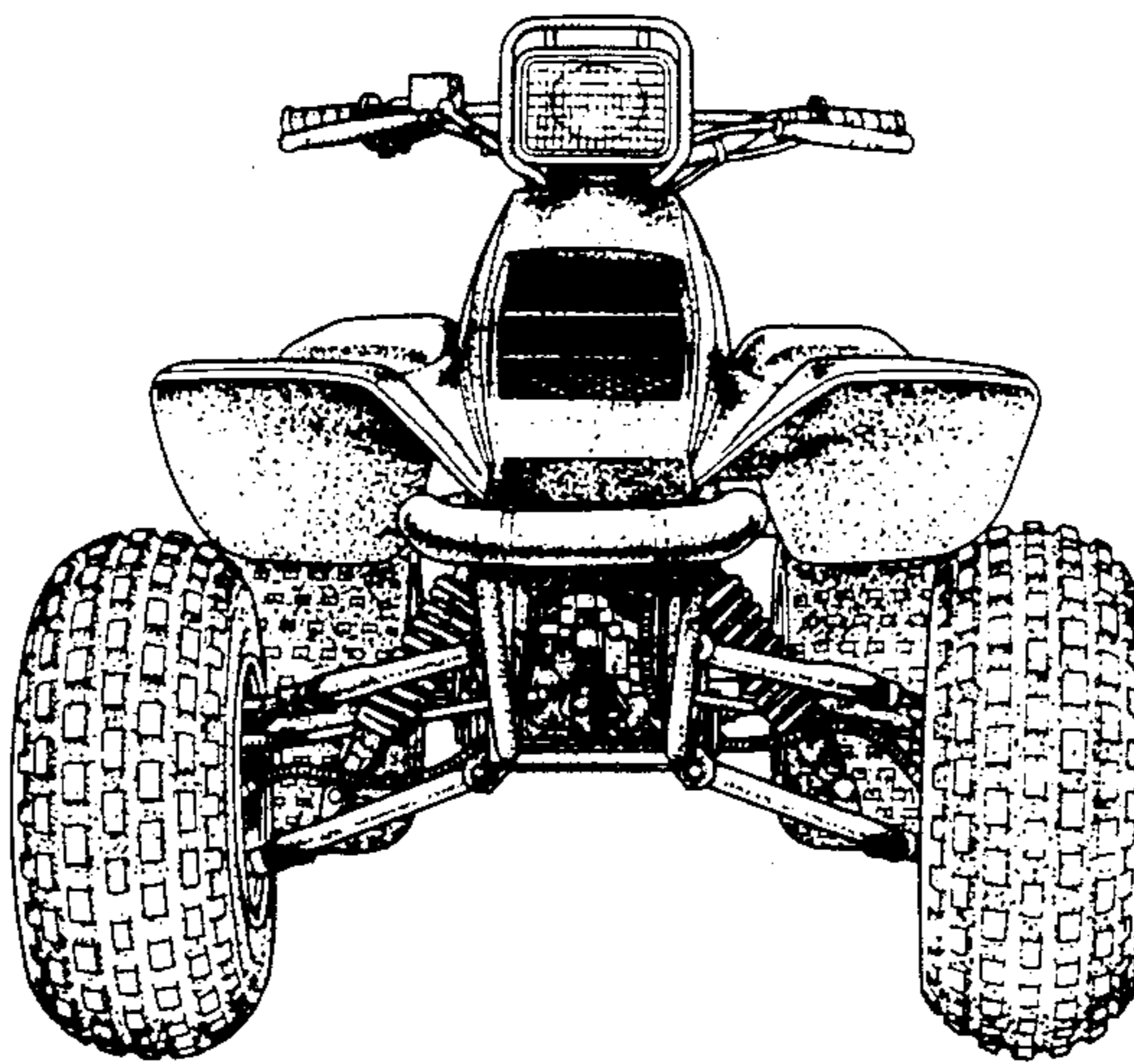


FIG. 5

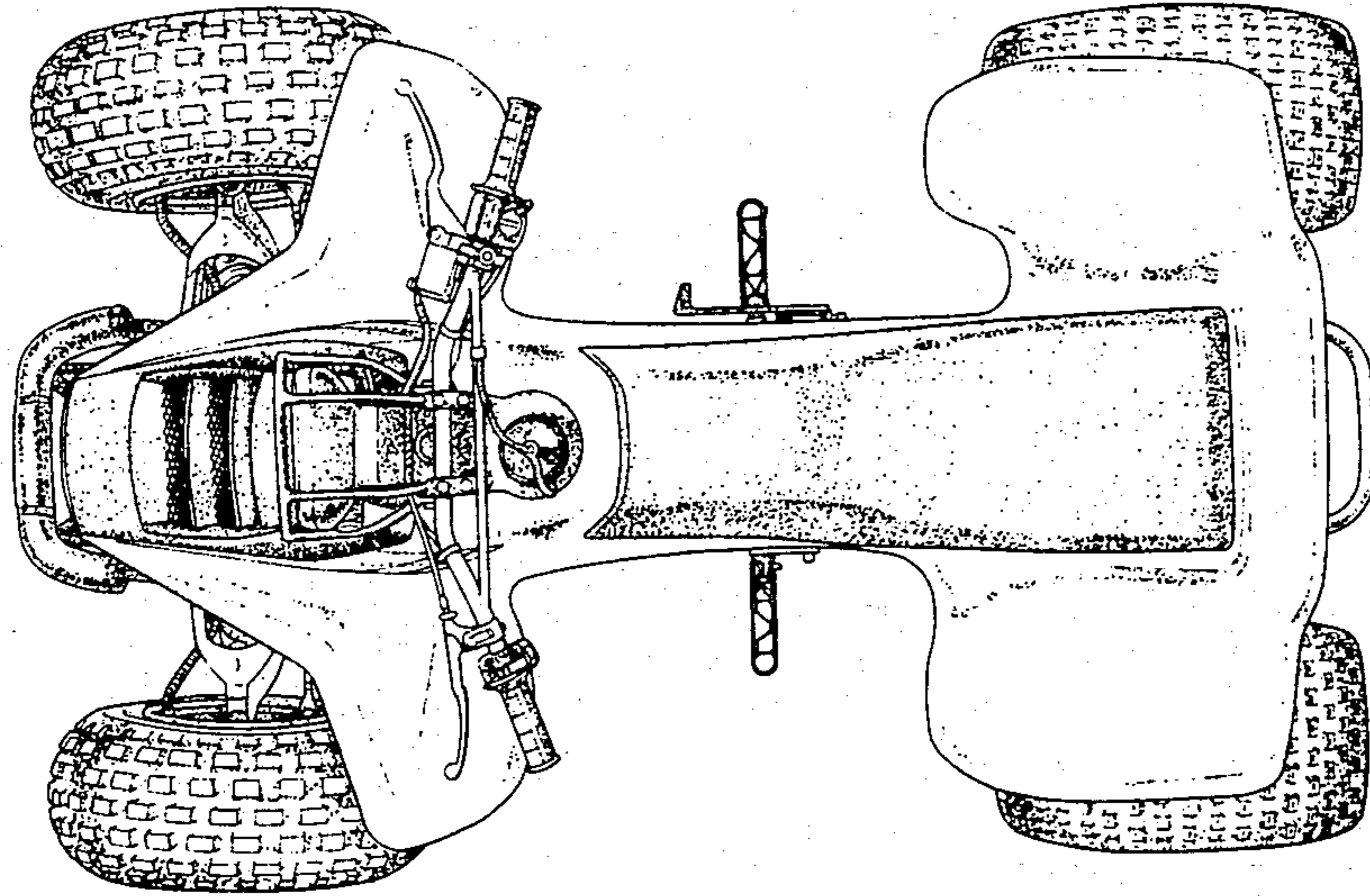


FIG. 6

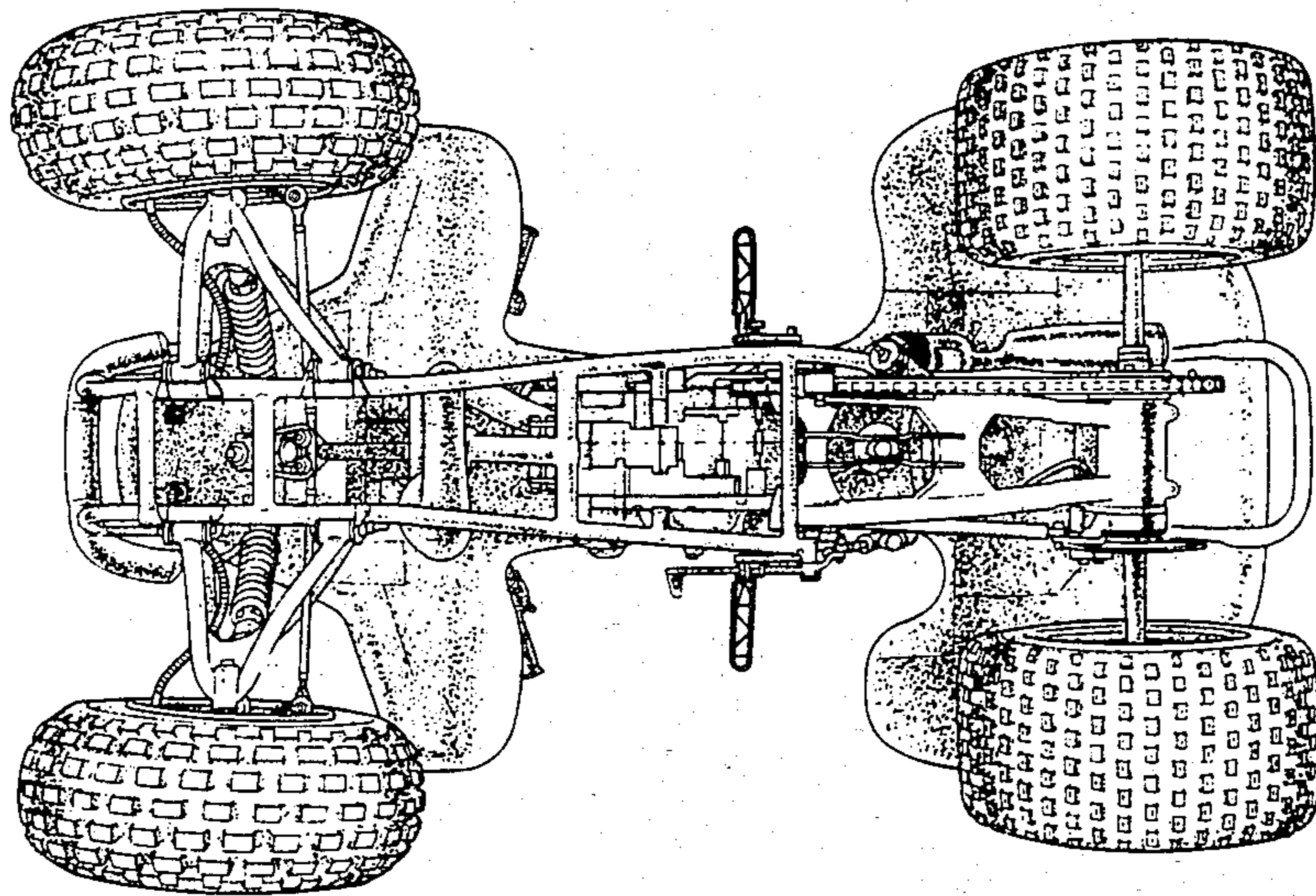


FIG. 7

