

[54] HARNESS CLIP FOR WIRE OR CABLE STRAPPING

3,913,876 10/1975 McSherry ..... 248/73  
4,490,886 1/1985 Omato ..... 24/16 PB

[75] Inventor: Koji Watanabe, Fujisawa, Japan

FOREIGN PATENT DOCUMENTS

[73] Assignee: Nifco, Inc., Yokohama, Japan

2298717 8/1976 France ..... 248/74.3

[\*\*] Term: 14 Years

Primary Examiner—B. J. Bullock  
Attorney, Agent, or Firm—Schwartz & Weinrieb

[21] Appl. No.: 551,566

[57] CLAIM

[22] Filed: Nov. 14, 1983

The ornamental design for a harness clip for wire or cable strapping, as shown and described.

[30] Foreign Application Priority Data

May 19, 1983 [JP] Japan ..... 58-20847

[52] U.S. Cl. .... D8/396; D8/394

[58] Field of Search ..... D8/383, 394, 396;  
24/16 PB; 248/65, 68.1, 73, 74.3

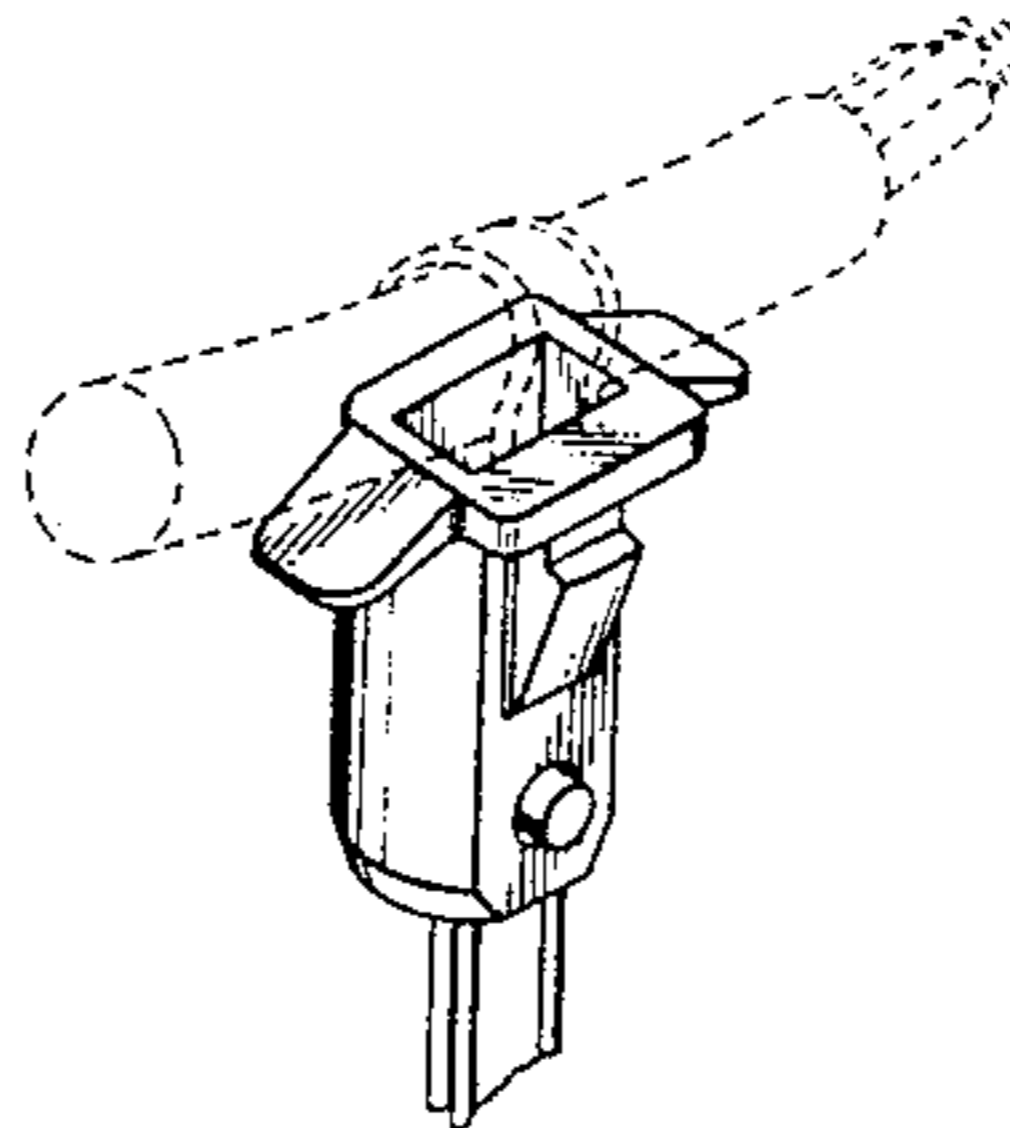
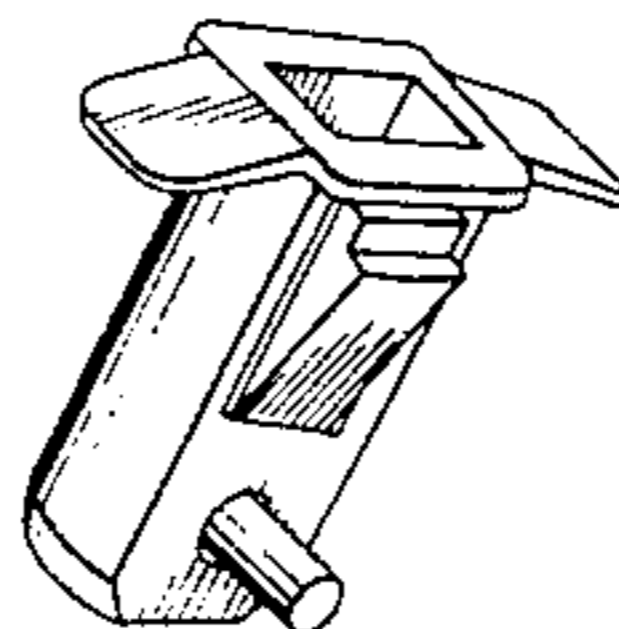
DESCRIPTION

[56] References Cited

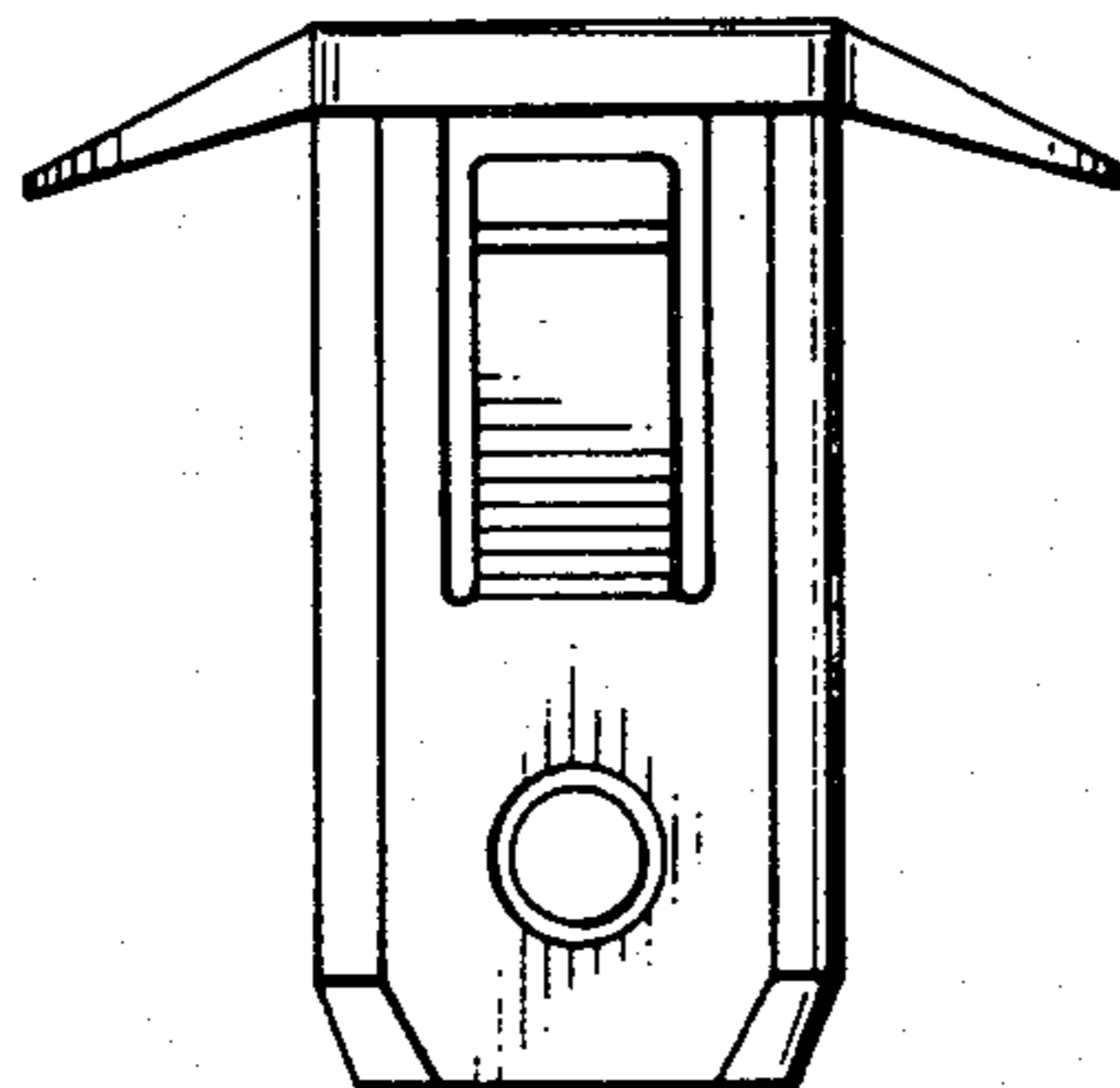
U.S. PATENT DOCUMENTS

- D. 250,876 1/1979 Lindblom ..... D8/396
- D. 280,597 9/1985 Fortsch ..... D8/396
- 3,341,903 9/1967 Buntic ..... 24/16 PB
- 3,632,071 1/1972 Cameron et al. .... 24/16 PB
- 3,802,654 4/1974 Jenko ..... 248/65

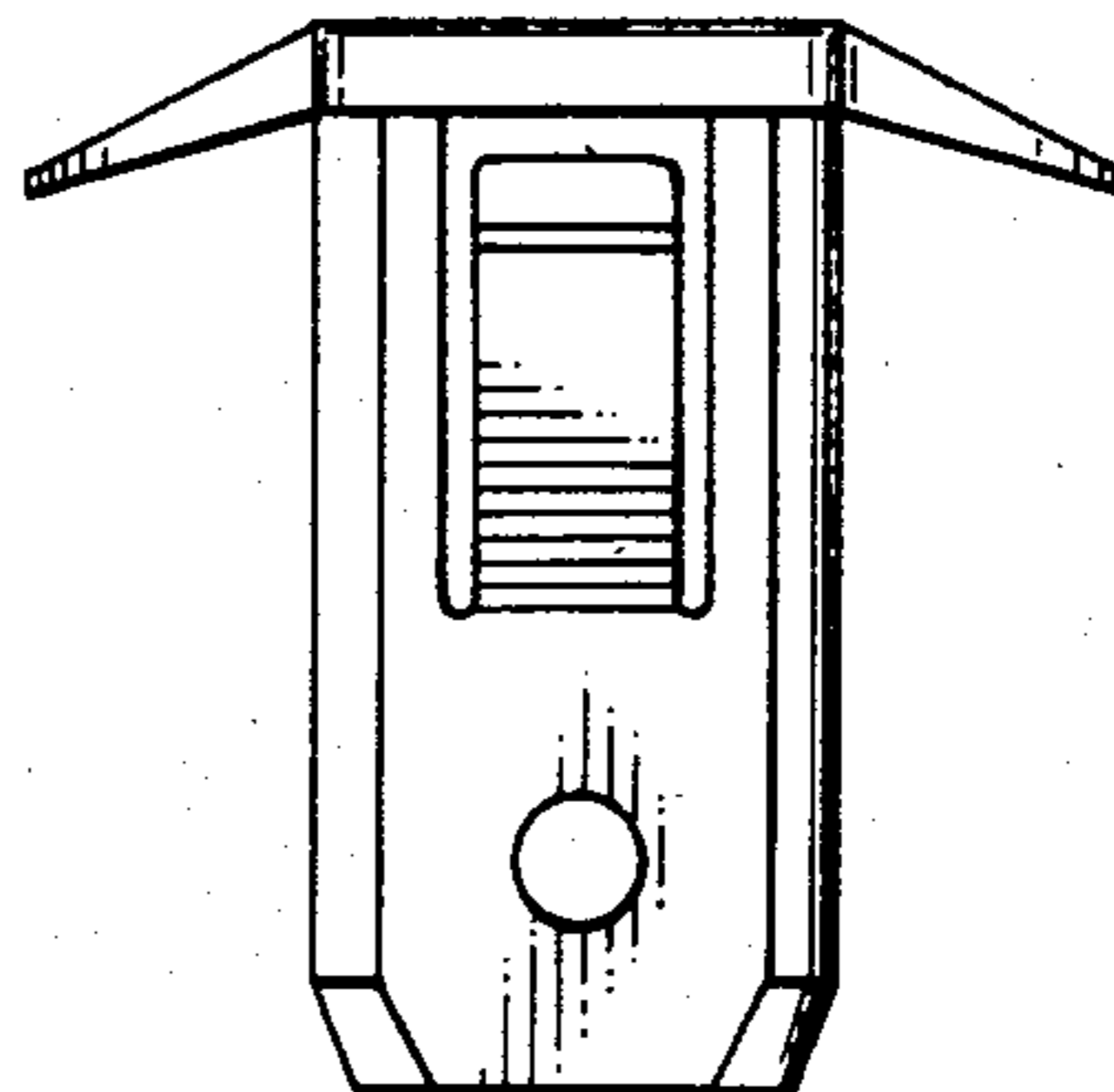
FIG. 1 is a front elevational view of a harness clip for wire or cable strapping showing my new design;  
FIG. 2 is a rear elevational view thereof;  
FIG. 3 is a right side elevational view thereof;  
FIG. 4 is a top plan view thereof;  
FIG. 5 is a bottom plan view thereof;  
FIG. 6 is a top and left front perspective view thereof;  
and  
FIG. 7 is a top left front perspective view thereof, with the cable and strapping shown in broken lines for illustrative purposes only.



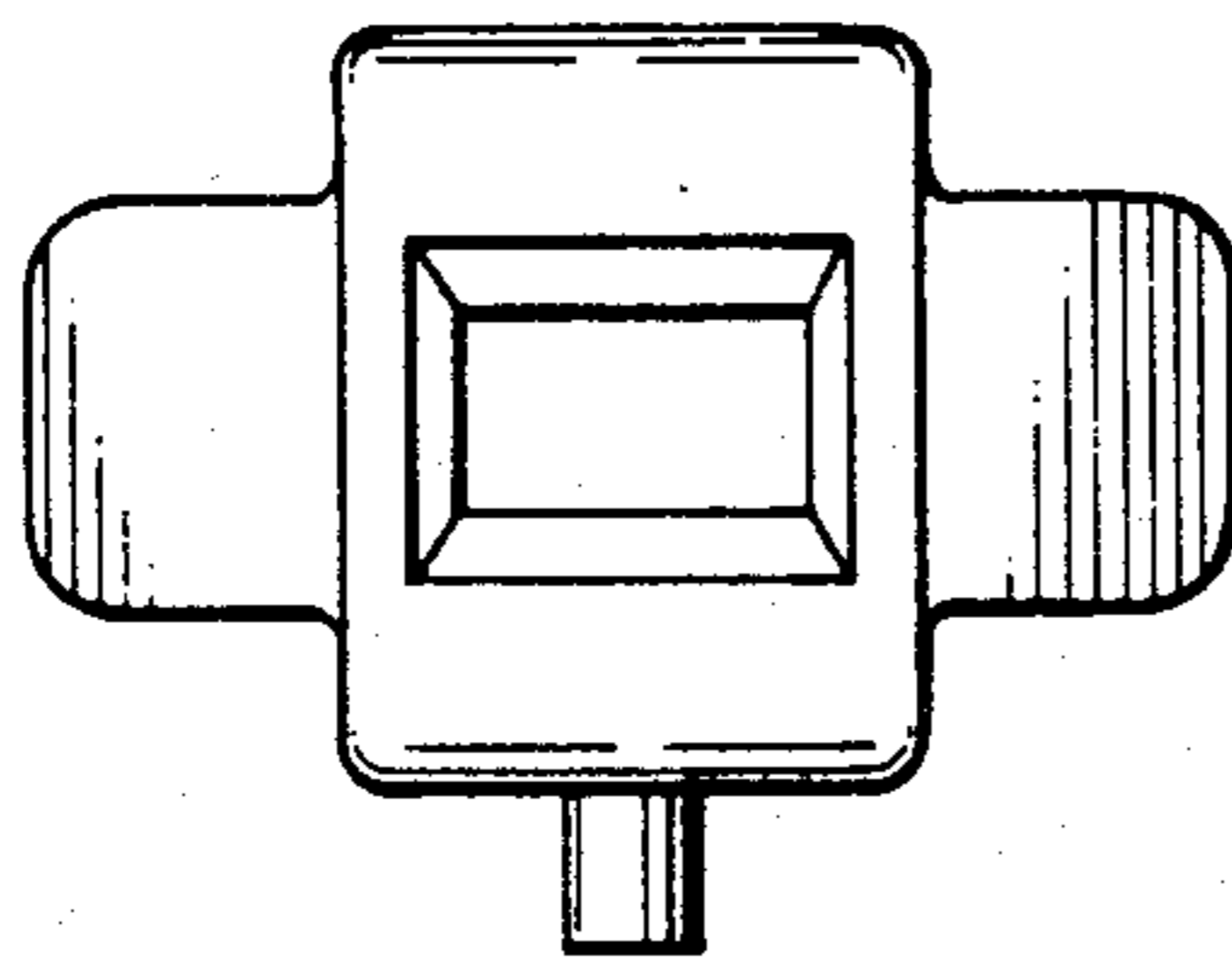
**FIG. 1**



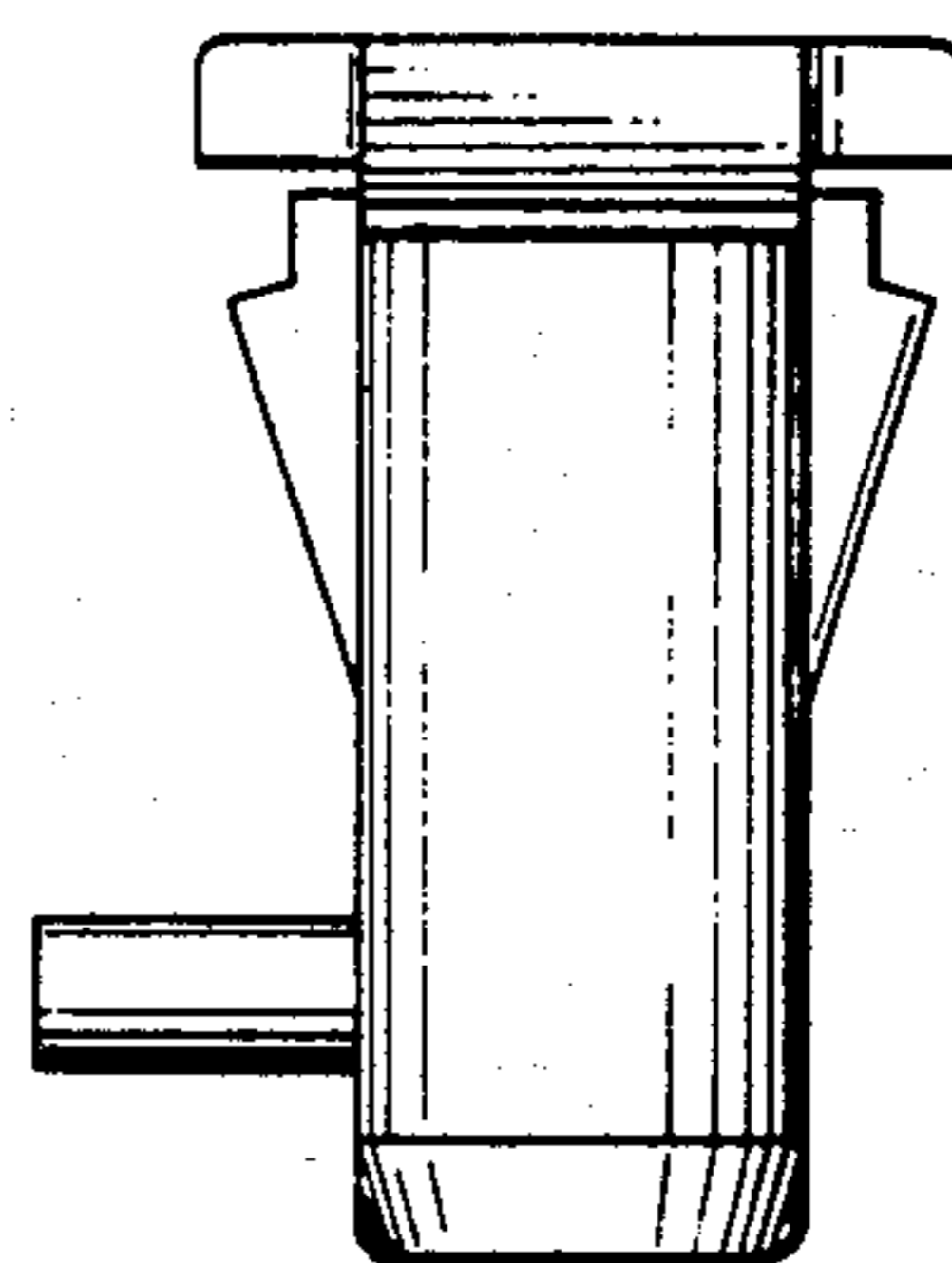
**FIG. 2**



**FIG. 4**



**FIG. 3**



**FIG. 5**

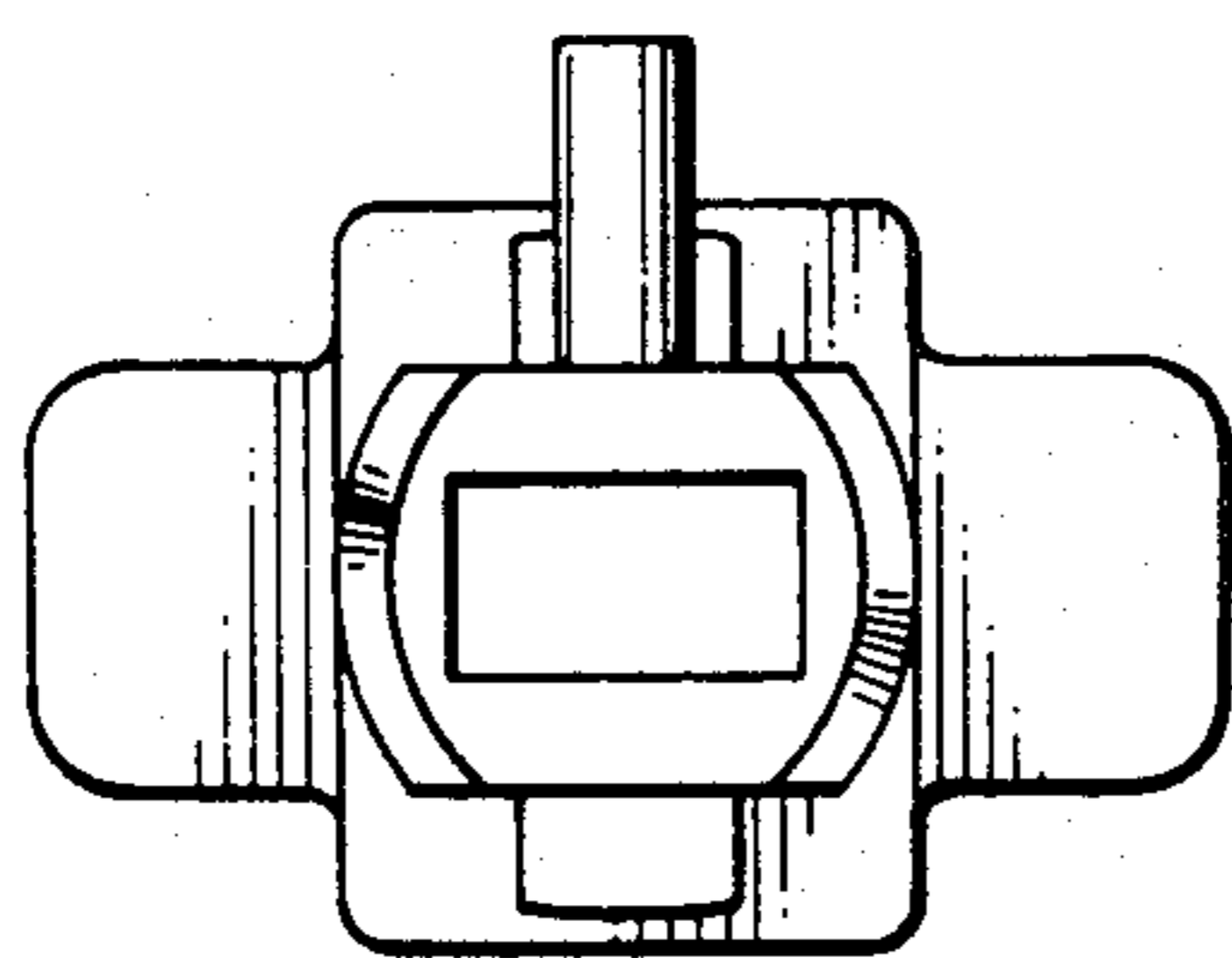


FIG. 6

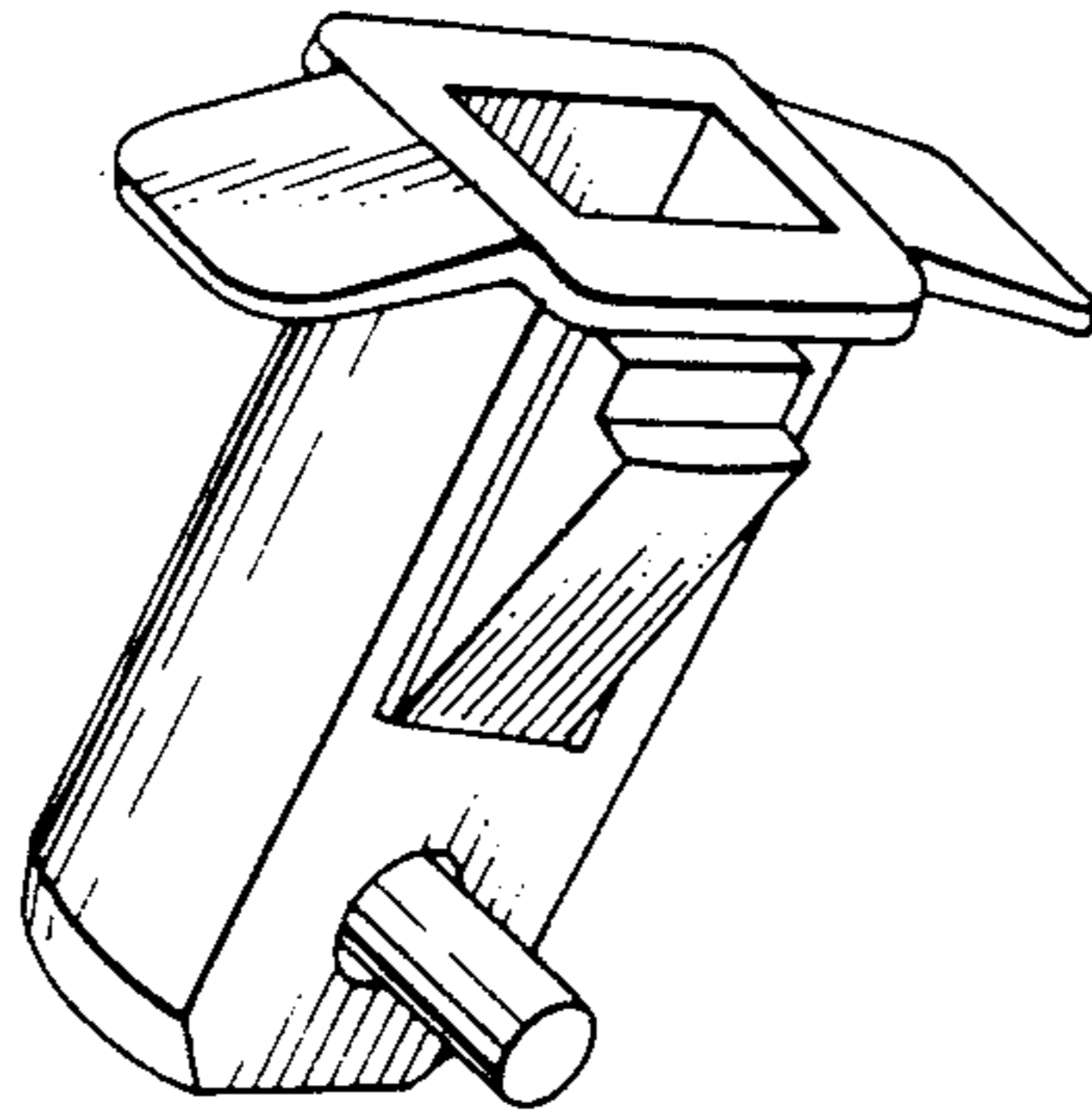


FIG. 7

