

United States Patent [19]

Dean et al.

[11] Patent Number: **Des. 285,047**

[45] Date of Patent: **** Aug. 12, 1986**

[54] **HEADBOARD BRACKET**

[75] Inventors: **Howard Dean; Andre Kocsis; William H. Yee**, all of Downsview, Canada

[73] Assignee: **Andico Manufacturing Ltd.**, Downsview, Canada

[**] Term: **14 Years**

[21] Appl. No.: **523,865**

[22] Filed: **Aug. 17, 1983**

[30] **Foreign Application Priority Data**

May 16, 1983 [CA] Canada 16-05-83-8

[52] U.S. Cl. **D8/382; D8/349; D8/354**

[58] Field of Search D8/349, 354, 382; 248/300, 201; 5/183, 207, 279 R, 280, 282 R, 304, 53 R, 200 C, 508, 201; 403/199

[56] **References Cited**

U.S. PATENT DOCUMENTS

2,683,266 7/1954 Baldwin 5/282 R
2,842,782 7/1958 Sands 5/282 R
2,931,053 4/1960 Andreasen 5/201
3,367,617 2/1968 Ellis 248/300

3,501,786 3/1970 Hurwitz 5/207
3,915,308 10/1975 Ratzloff et al. 248/201
4,422,275 12/1983 Baetje 52/509
4,428,086 1/1984 Harris 5/282 R
4,467,486 8/1984 Schatz 5/282 R
4,536,904 8/1985 Whitehead 5/201

FOREIGN PATENT DOCUMENTS

0965137 9/1950 France 5/282 R

OTHER PUBLICATIONS

Sweets Architectural Catalog File 1975, Sec 6.6/Sim; p. 22; Truss Clip STC.

Primary Examiner—B. J. Bullock

Attorney, Agent, or Firm—Riches, McKenzie & Herbert

[57] **CLAIM**

The ornamental design for a headboard bracket, substantially as shown and described.

DESCRIPTION

FIG. 1 is a perspective view of a headboard bracket showing our new design, the rear and bottom being unornamented;

FIG. 2 is a front elevational view thereof;

FIG. 3 is a top plan view thereof;

FIG. 4 is an enlarged left side elevational view thereof.

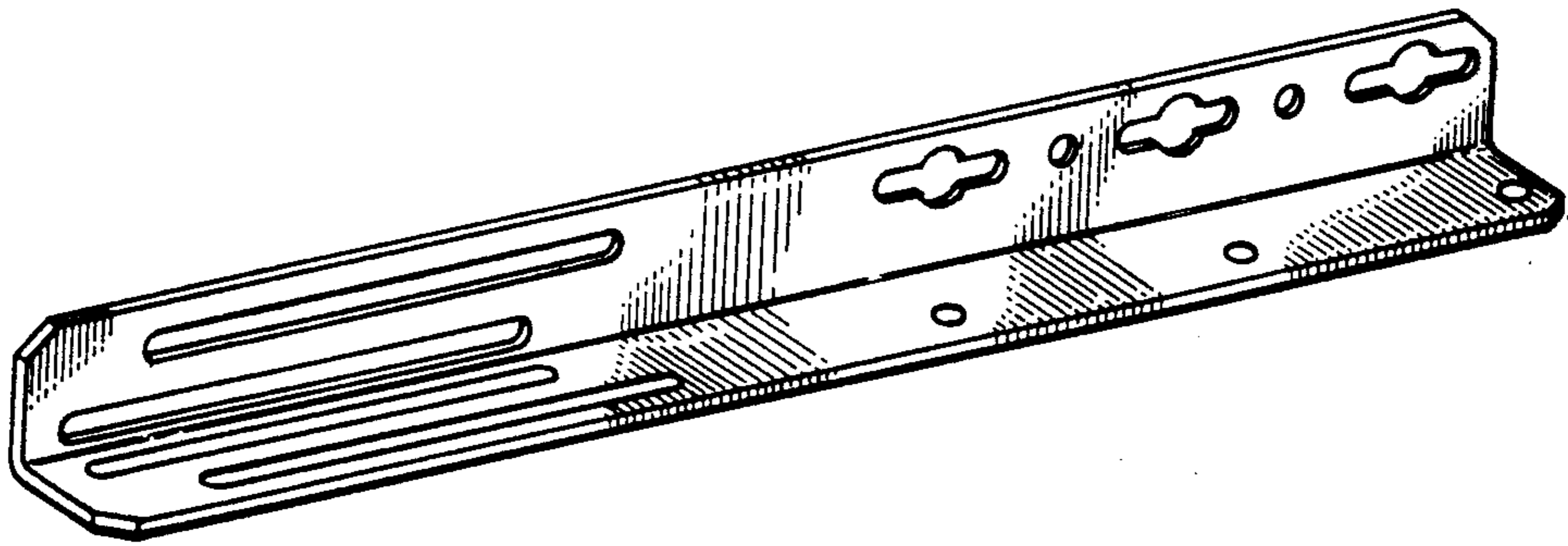


FIG.1

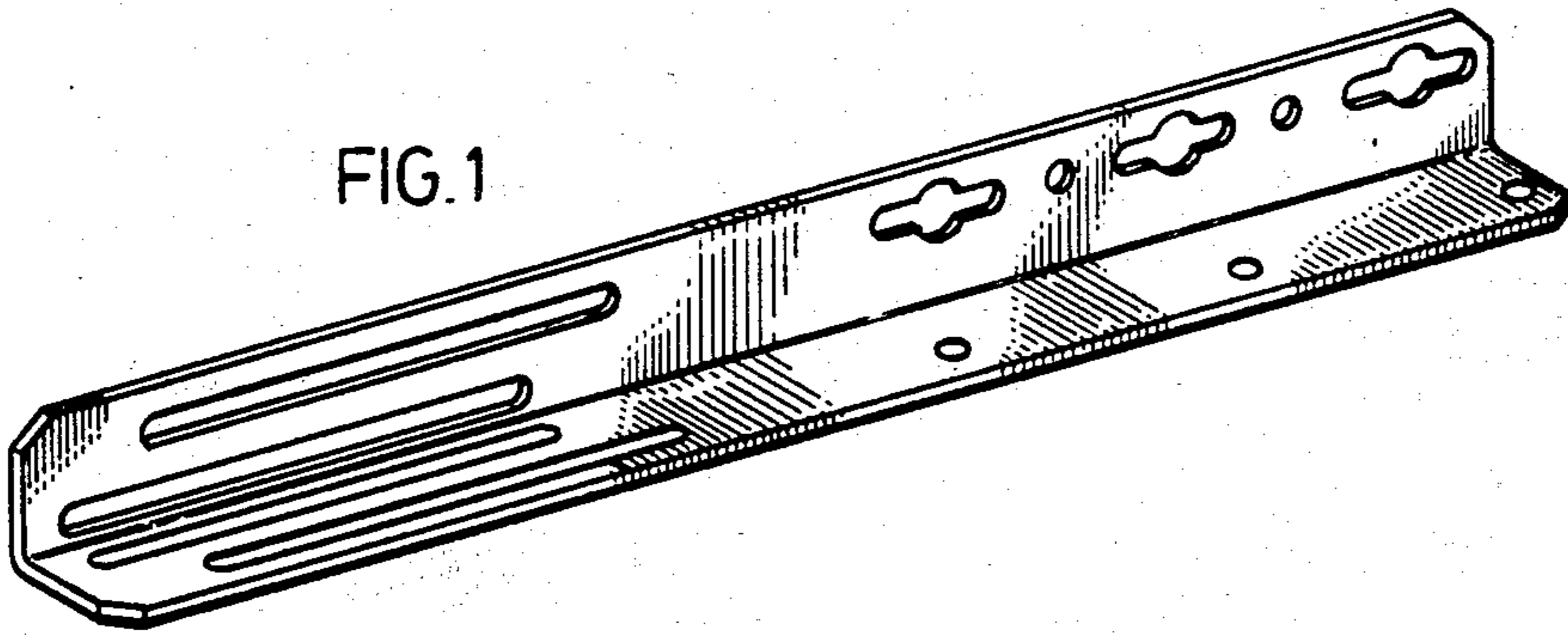


FIG.2



FIG.3

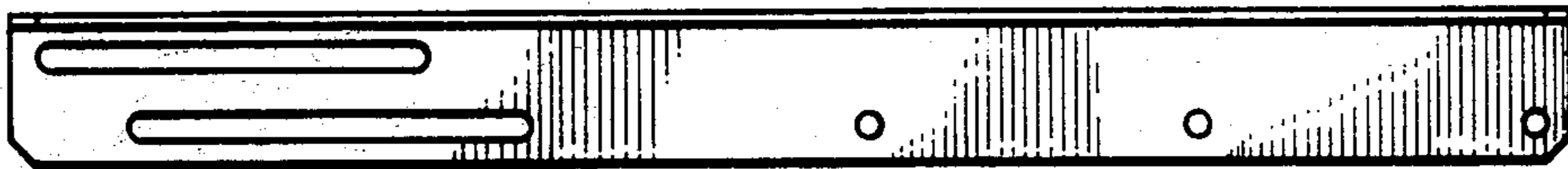


FIG.4

