

[54] CORNER UNIT FOR A KITCHEN COUNTERTOP

[75] Inventor: Robert O. Clark, Homewood, Ill.

[73] Assignee: Plastic Clad Corporation, Birmingham, Ala.

[\*\*] Term: 14 Years

[21] Appl. No.: 577,162

[22] Filed: Feb. 6, 1984

[52] U.S. Cl. .... D6/511; D6/481; D23/61

[58] Field of Search ..... D6/460, 466, 480, 481, D6/509, 511; D23/61

[56] References Cited

U.S. PATENT DOCUMENTS

- D. 54,101 11/1919 Knight ..... D23/61
- D. 175,672 9/1955 Crook ..... D6/511
- D. 235,955 7/1975 Shelley Jr. .... D6/481 X
- D. 253,787 12/1979 Kinsey ..... D6/481 X
- D. 272,306 1/1984 Kennedy ..... D6/481

OTHER PUBLICATIONS

Sears Catalog, S&S 1977, p. 922, Item G, Countertop.

Sears Catalog, S&S 1980, p. 969, Item A, Countertop.

Primary Examiner—Bruce W. Dunkins

Attorney, Agent, or Firm—Woodford R. Thompson, Jr.

[57] CLAIM

The ornamental design for a corner unit for a kitchen countertop, as shown.

DESCRIPTION

FIG. 1 is a perspective view of a corner unit for a kitchen countertop showing my new design; FIG. 2 is a top plan view thereof; FIG. 3 is a bottom view thereof; FIG. 4 is a side elevational view looking in the direction of the arrows 4—4 of FIG. 2; FIG. 5 is a side elevational view looking in the direction of the arrows 5—5 of FIG. 2; FIG. 6 is a front elevational view looking in the direction of the arrows 6—6 of FIG. 1; FIG. 7 is a side elevational view looking in the direction of the arrows 7—7 of FIG. 2; FIG. 8 is a side elevational view looking in the direction of the arrows 8—8 of FIG. 2; FIG. 9 is a perspective view corresponding to FIG. 1 showing a modified form of my invention; and, FIG. 10 is a perspective view corresponding to FIG. 1 showing another modified form of my invention.

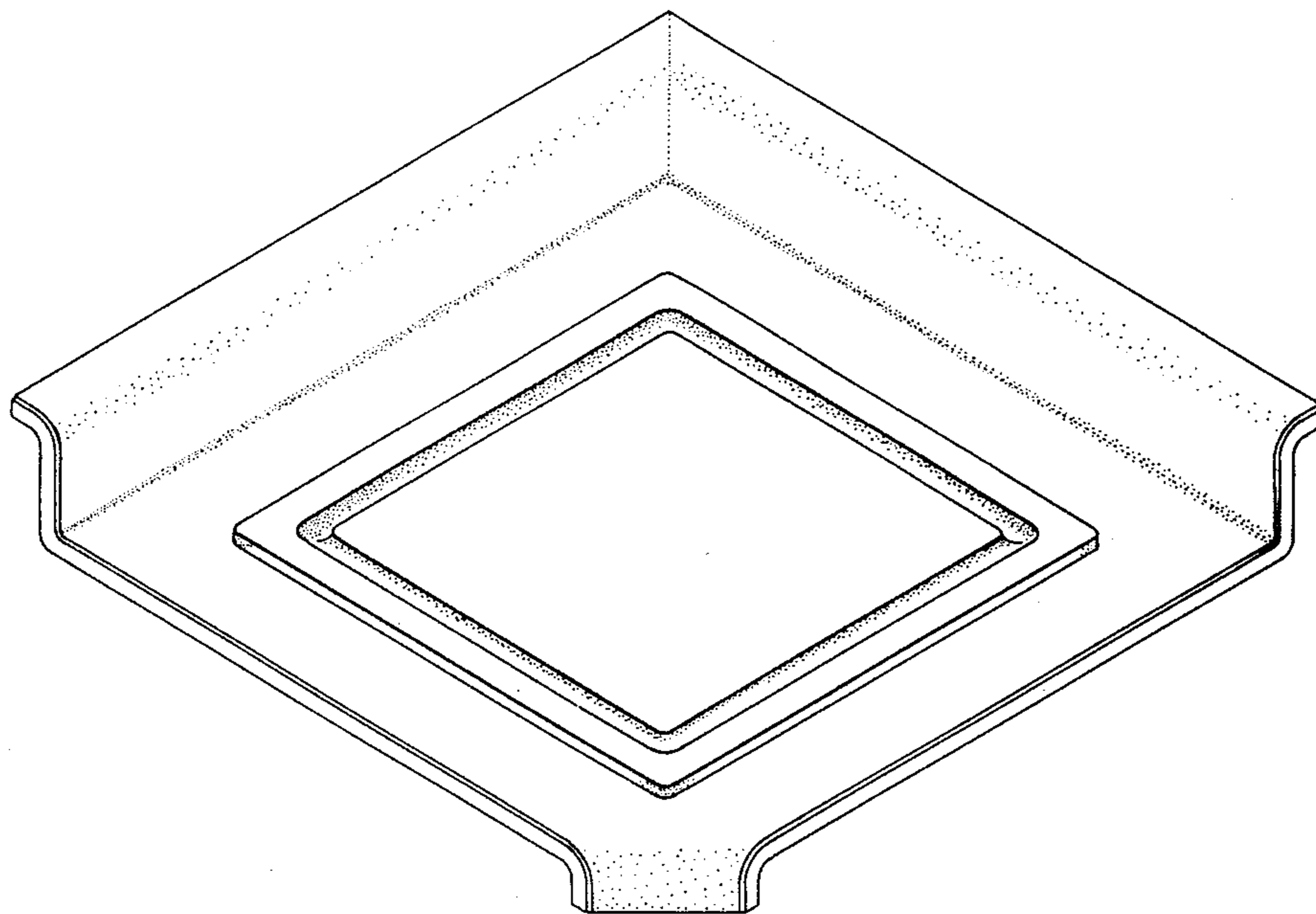


Fig. 1

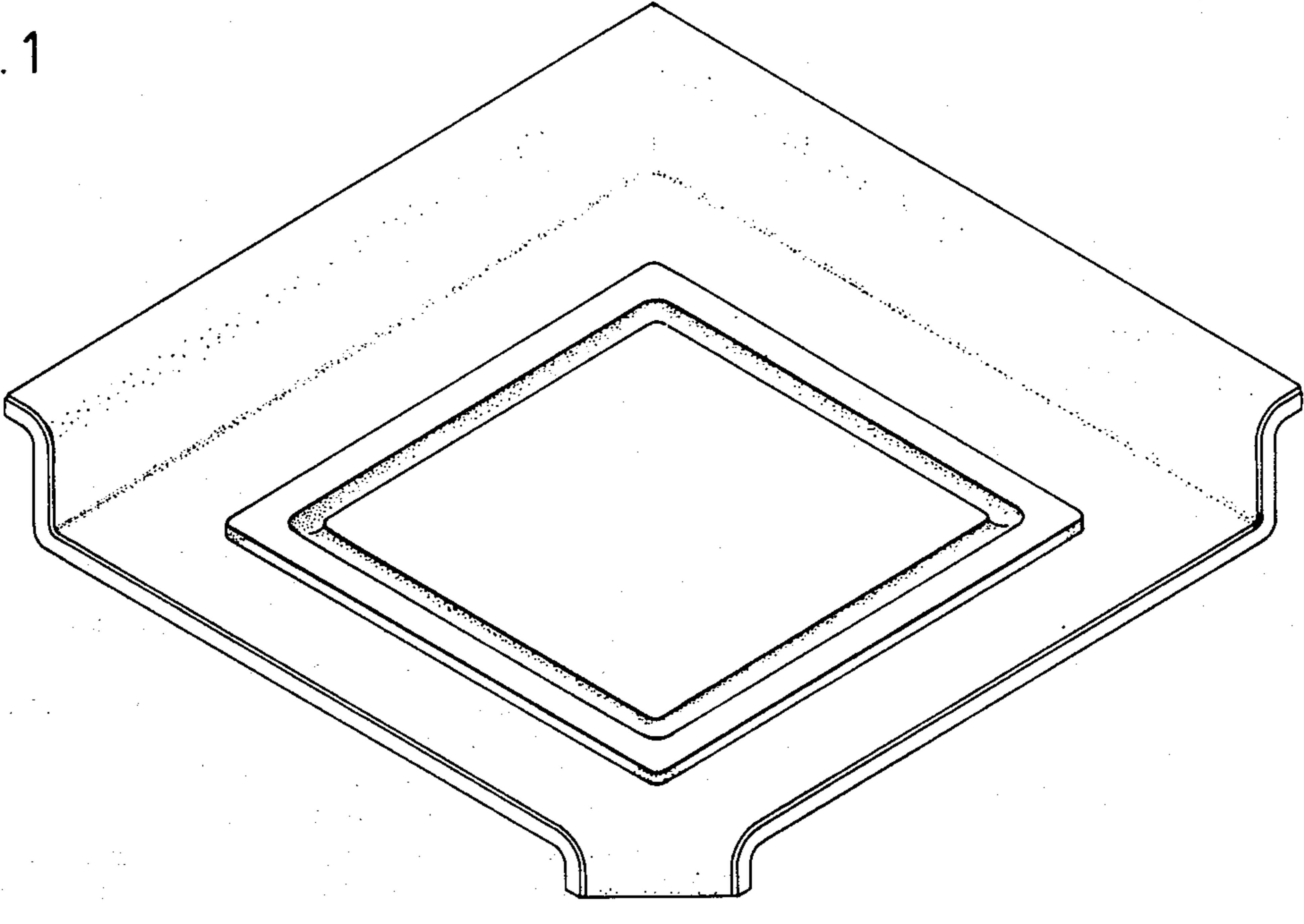


Fig. 6

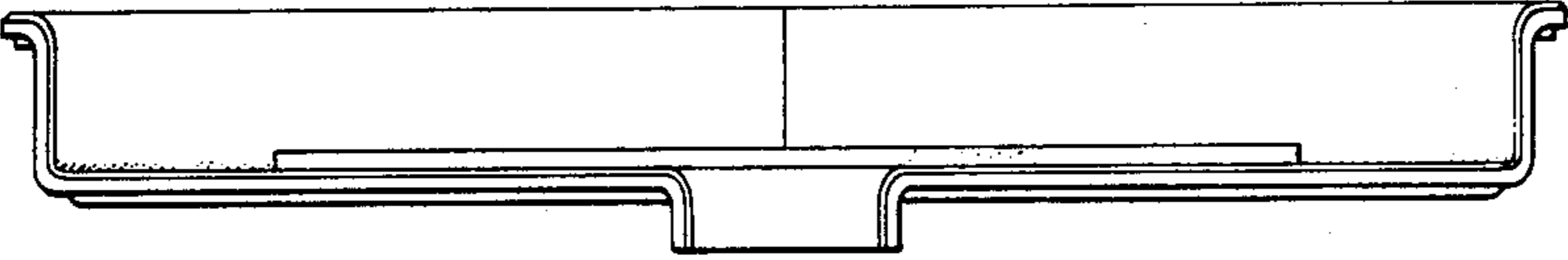


Fig. 7

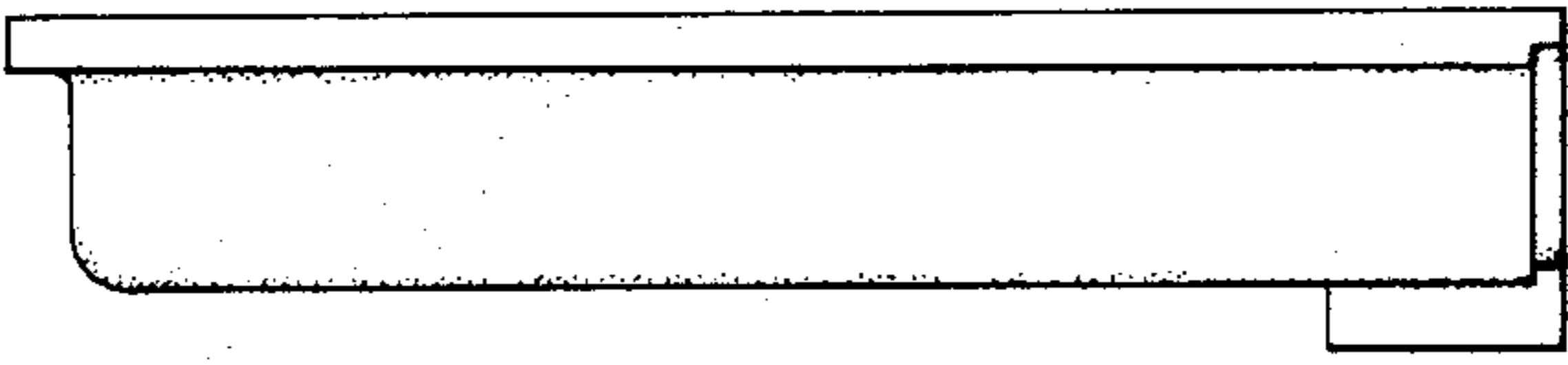


Fig. 8

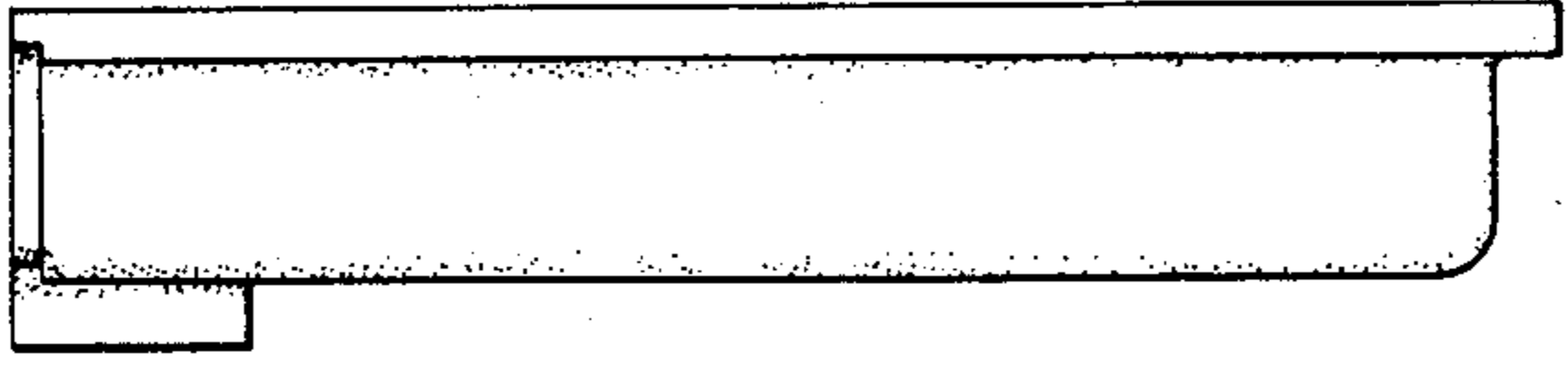


Fig. 2

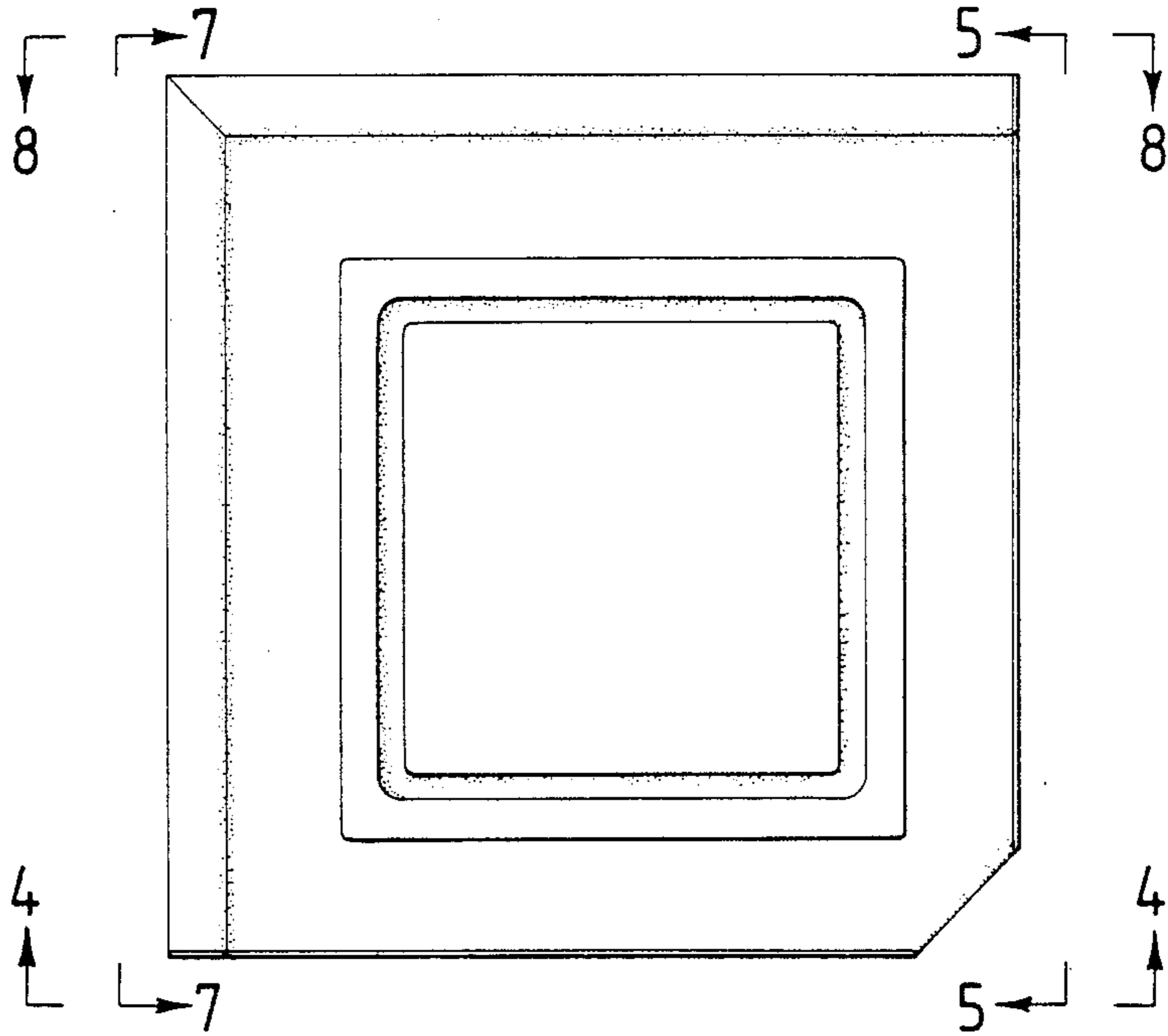


Fig. 3

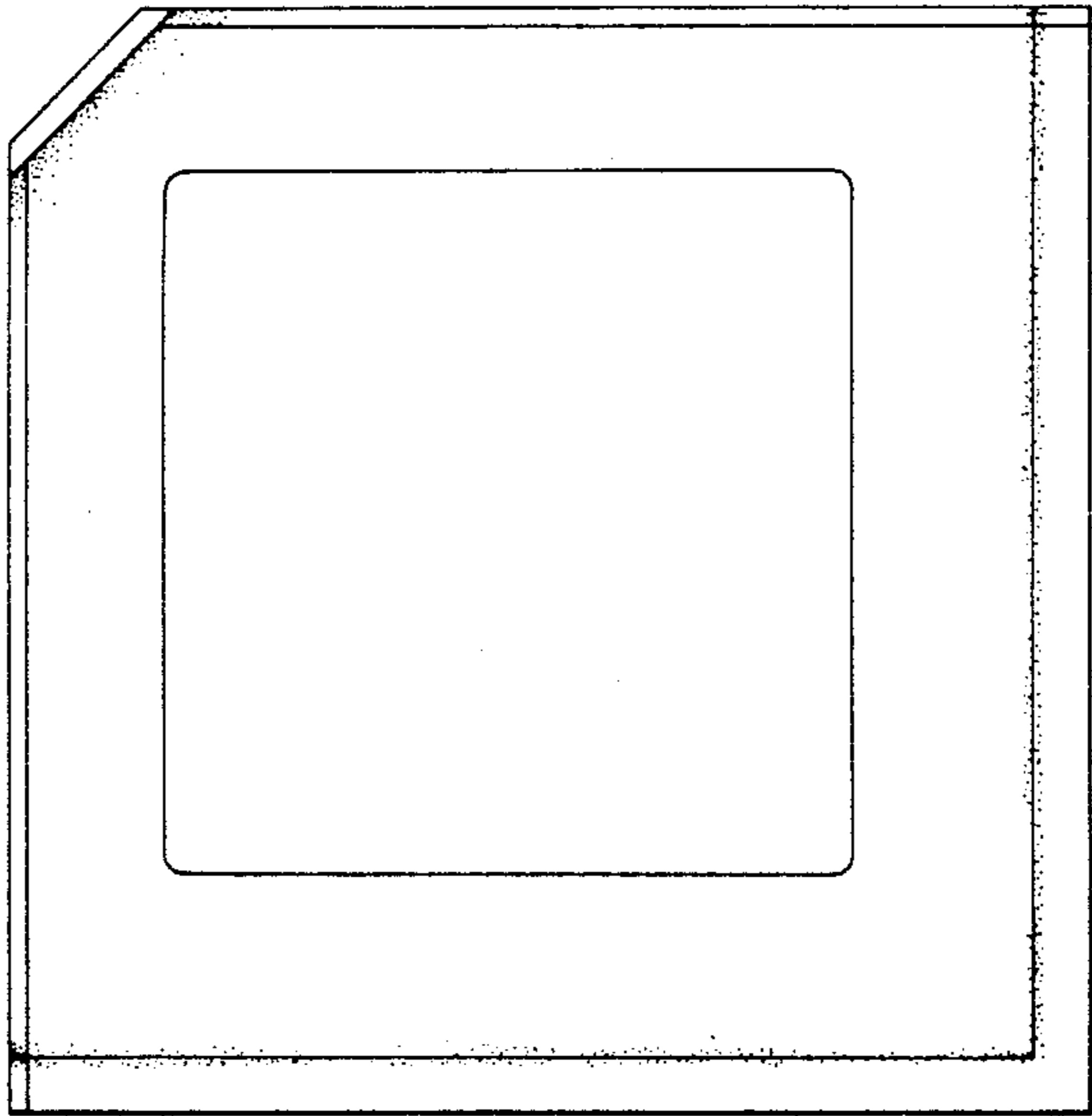


Fig. 4

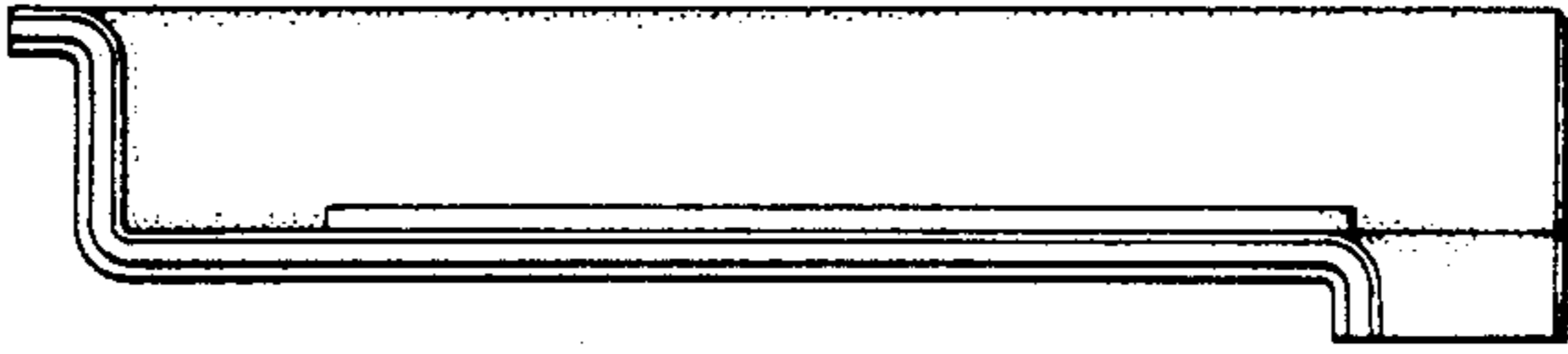
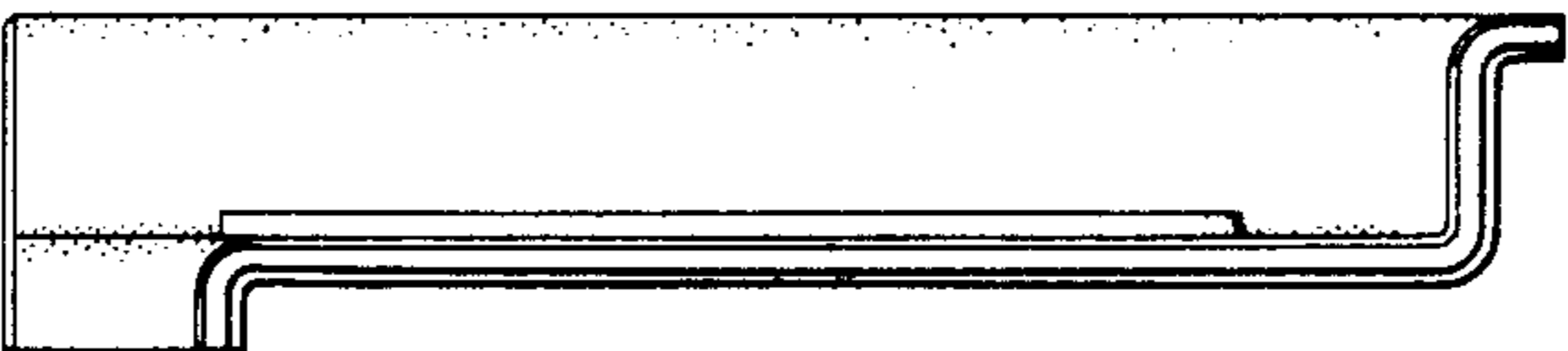


Fig. 5



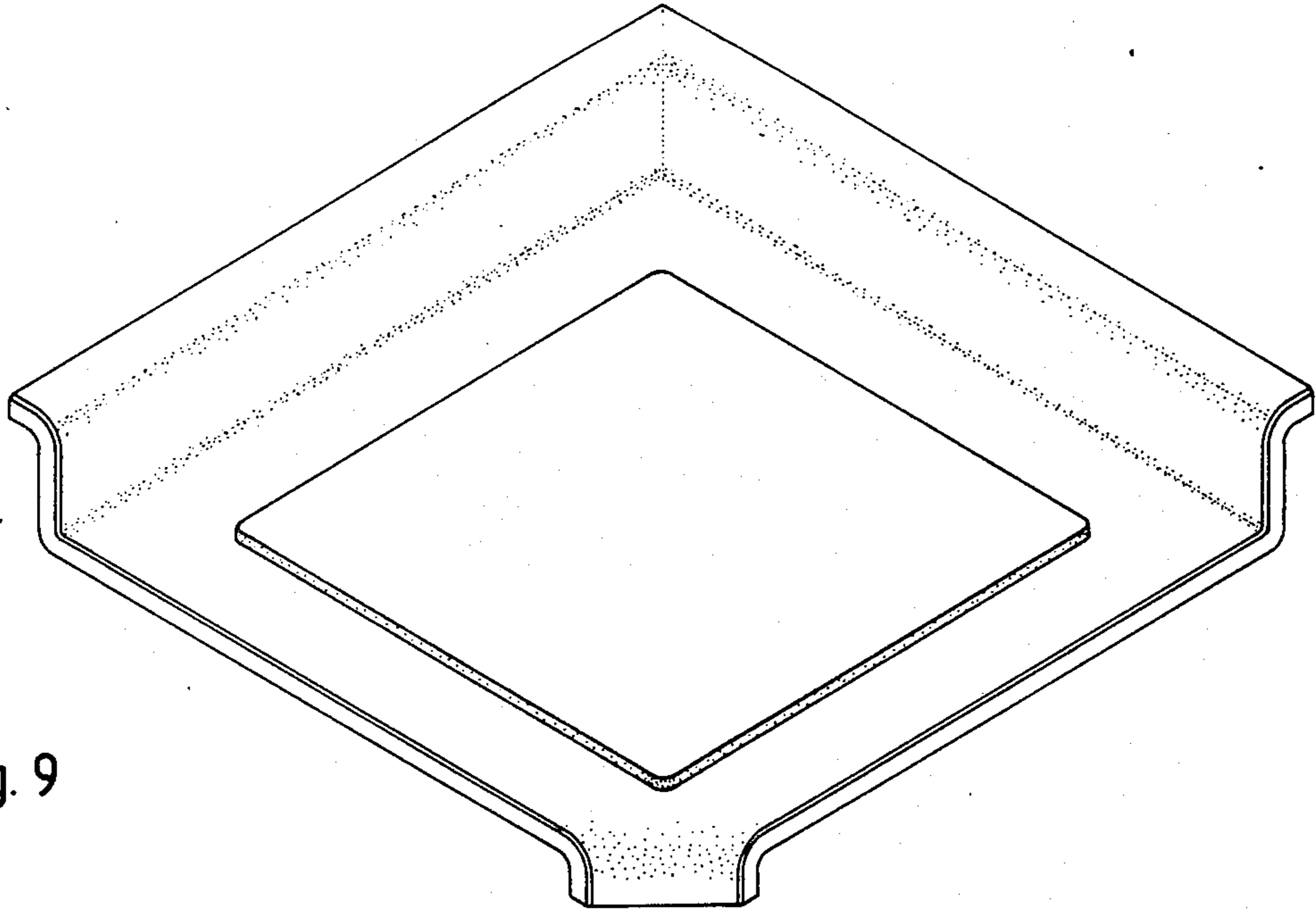


Fig. 9

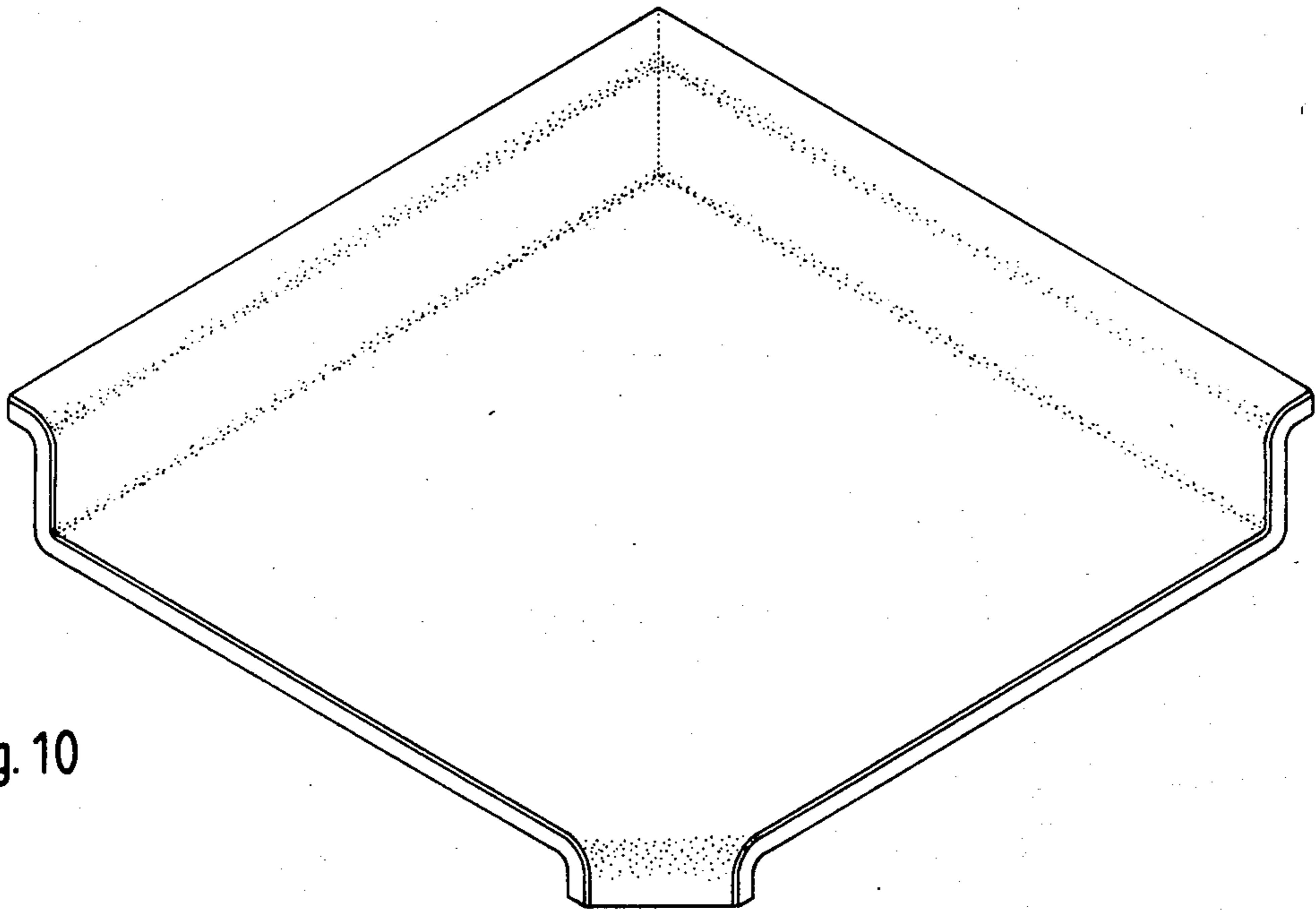


Fig. 10