

United States Patent [19]

McBride

[11] Patent Number: **Des. 285,028**

[45] Date of Patent: **** Aug. 12, 1986**

[54] CHAIR FRAME

[76] Inventor: **William McBride**, 1110 W. Barry St.,
Chicago, Ill. 60657

[**] Term: **14 Years**

[21] Appl. No.: **573,977**

[22] Filed: **Jan. 25, 1984**

[52] U.S.Cl. **D6/375; D6/501**

[58] Field of Search D6/334, 344, 360, 361,
D6/367, 368, 370, 373, 374, 376, 500, 501, 502;
297/16

[56] **References Cited**

U.S. PATENT DOCUMENTS

D. 101,567 10/1936 Vavrik D6/375
D. 133,550 8/1942 Meyers D6/334
D. 172,659 7/1954 Budai D6/368

D. 233,963 12/1974 Welton D6/375
D. 237,847 12/1975 Sklaroff D6/373

Primary Examiner—Bruce W. Dunkins
Attorney, Agent, or Firm—John R. Crossan

[57] **CLAIM**

The ornamental design for a chair frame, substantially as shown and described.

DESCRIPTION

FIG. 1 is a front perspective view of a chair frame showing my design;

FIG. 2 is a side elevational view, the undisclosed side being a mirror image thereof;

FIG. 3 is a top plan view;

FIG. 4 is a front elevational view; and

FIG. 5 is a rear elevational view thereof.

The support surface disclosed by means of broken lines in the figures is shown for illustrative purposes only.

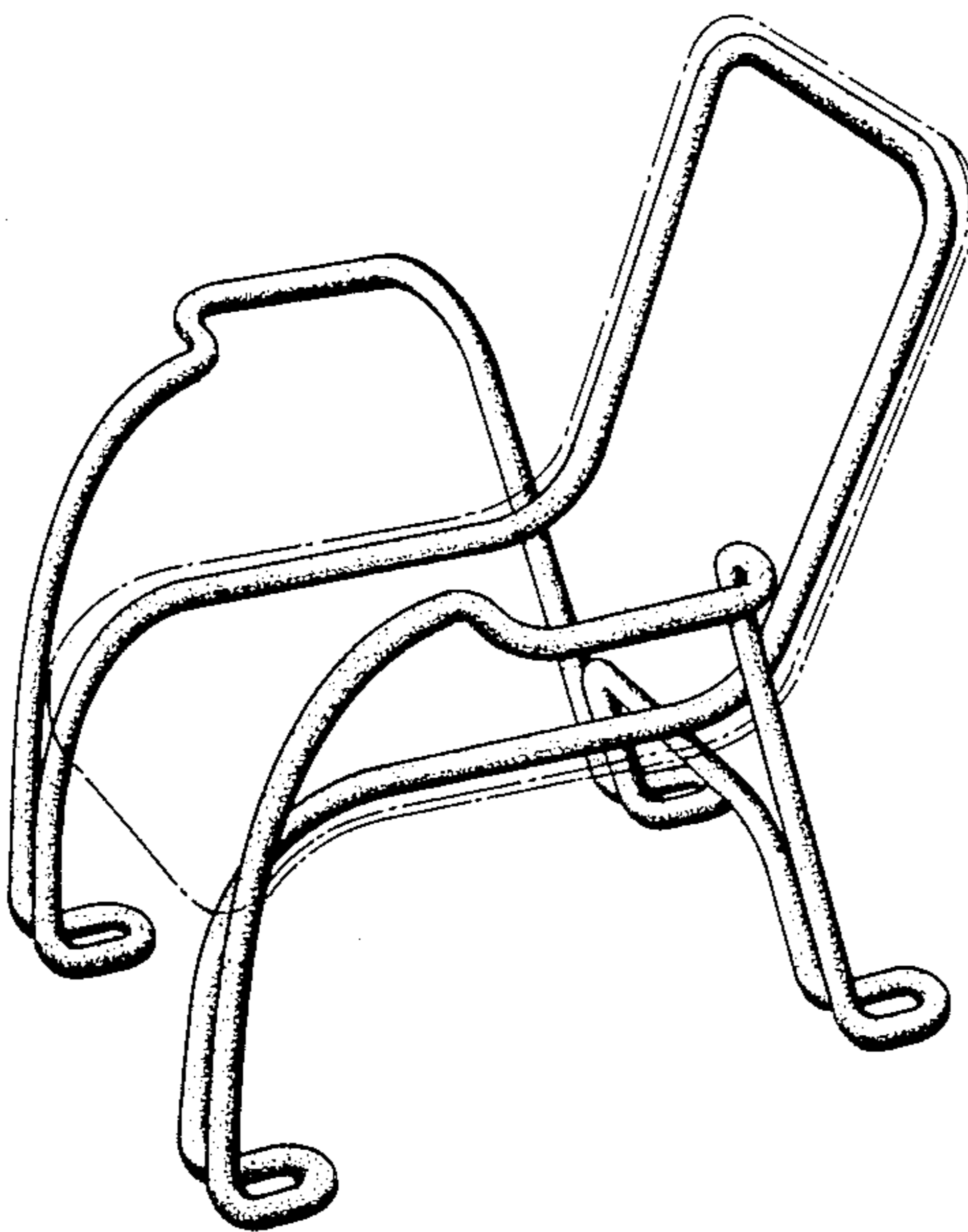


FIG. 1

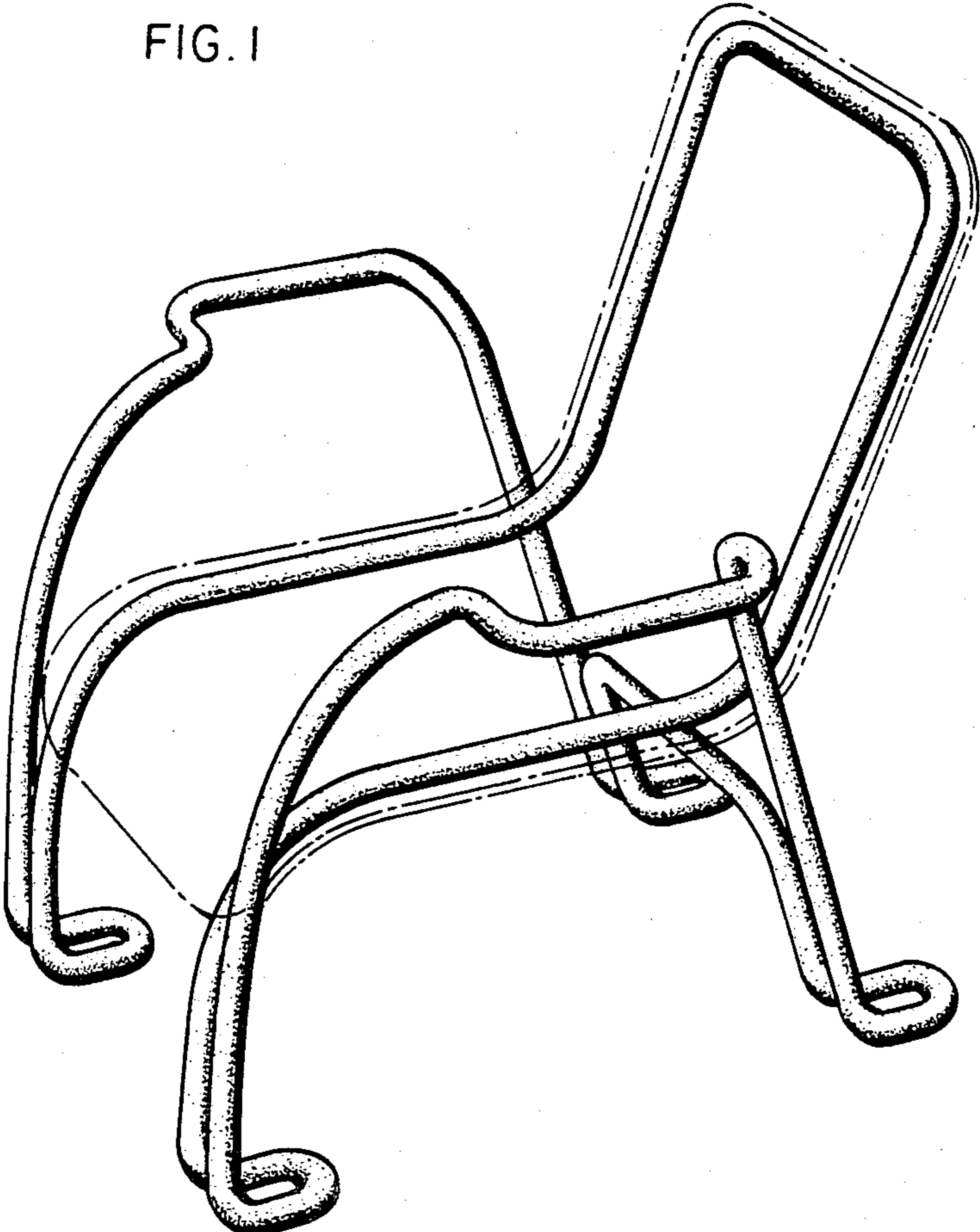


FIG. 2

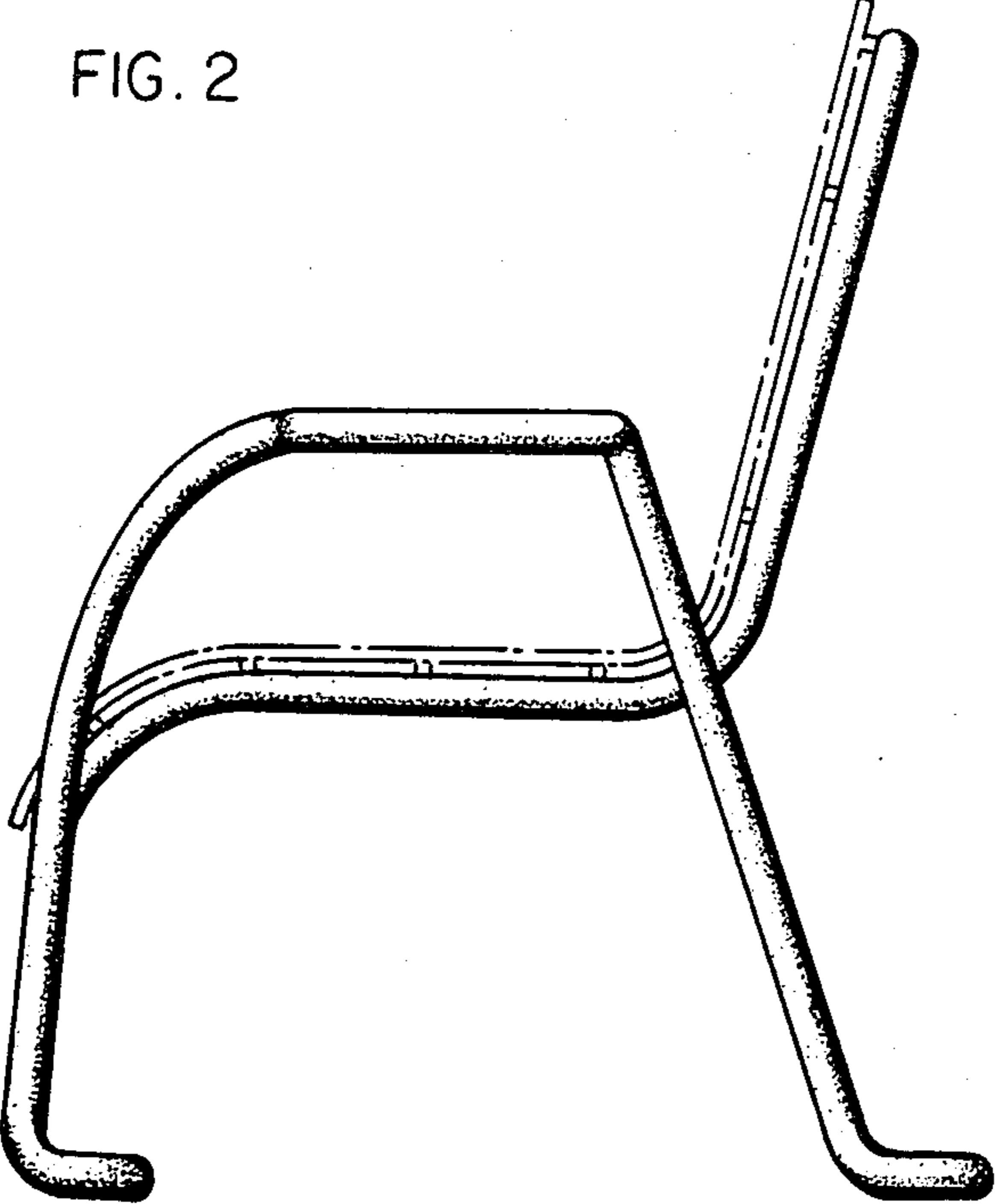


FIG. 3

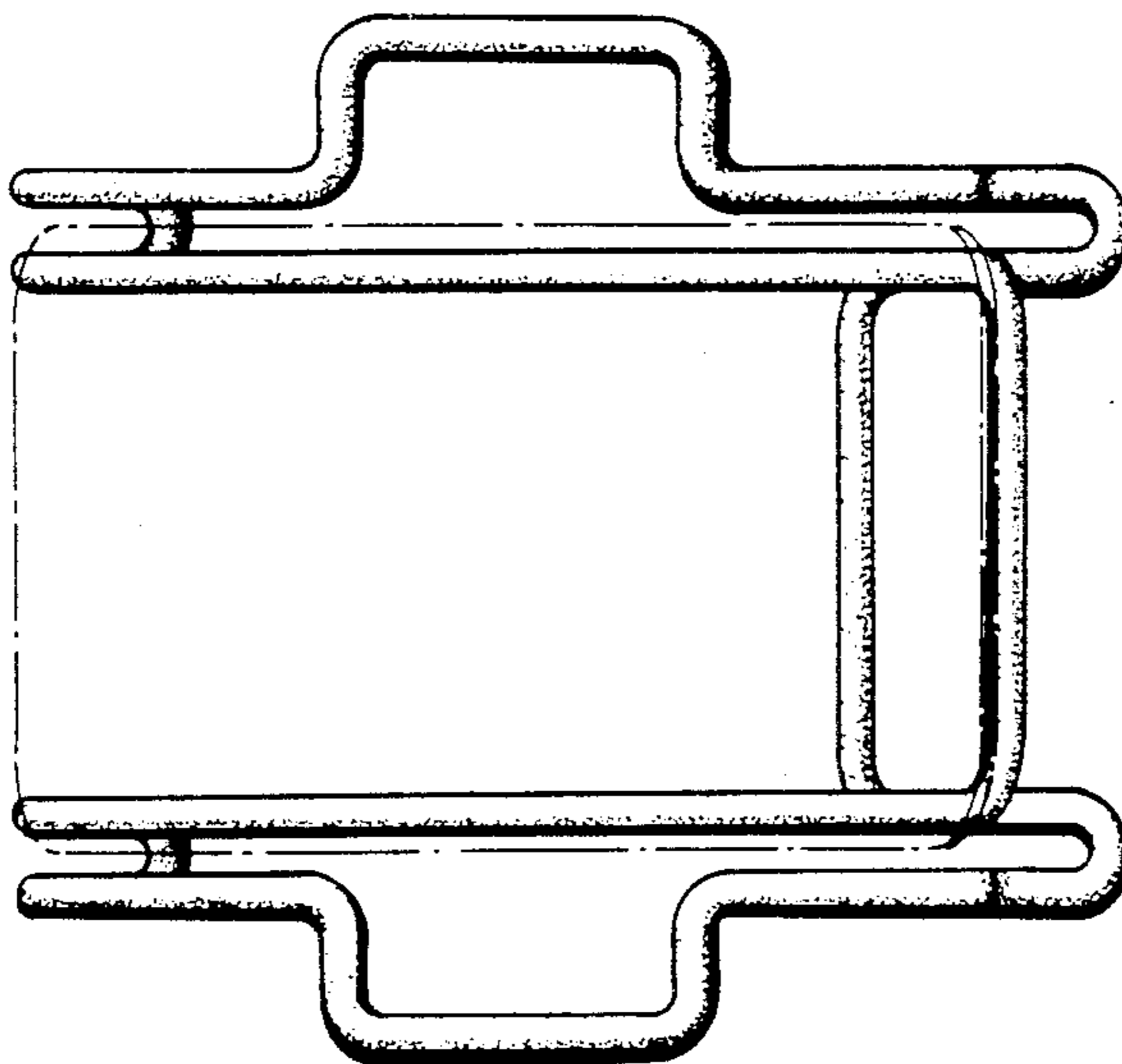


FIG. 4

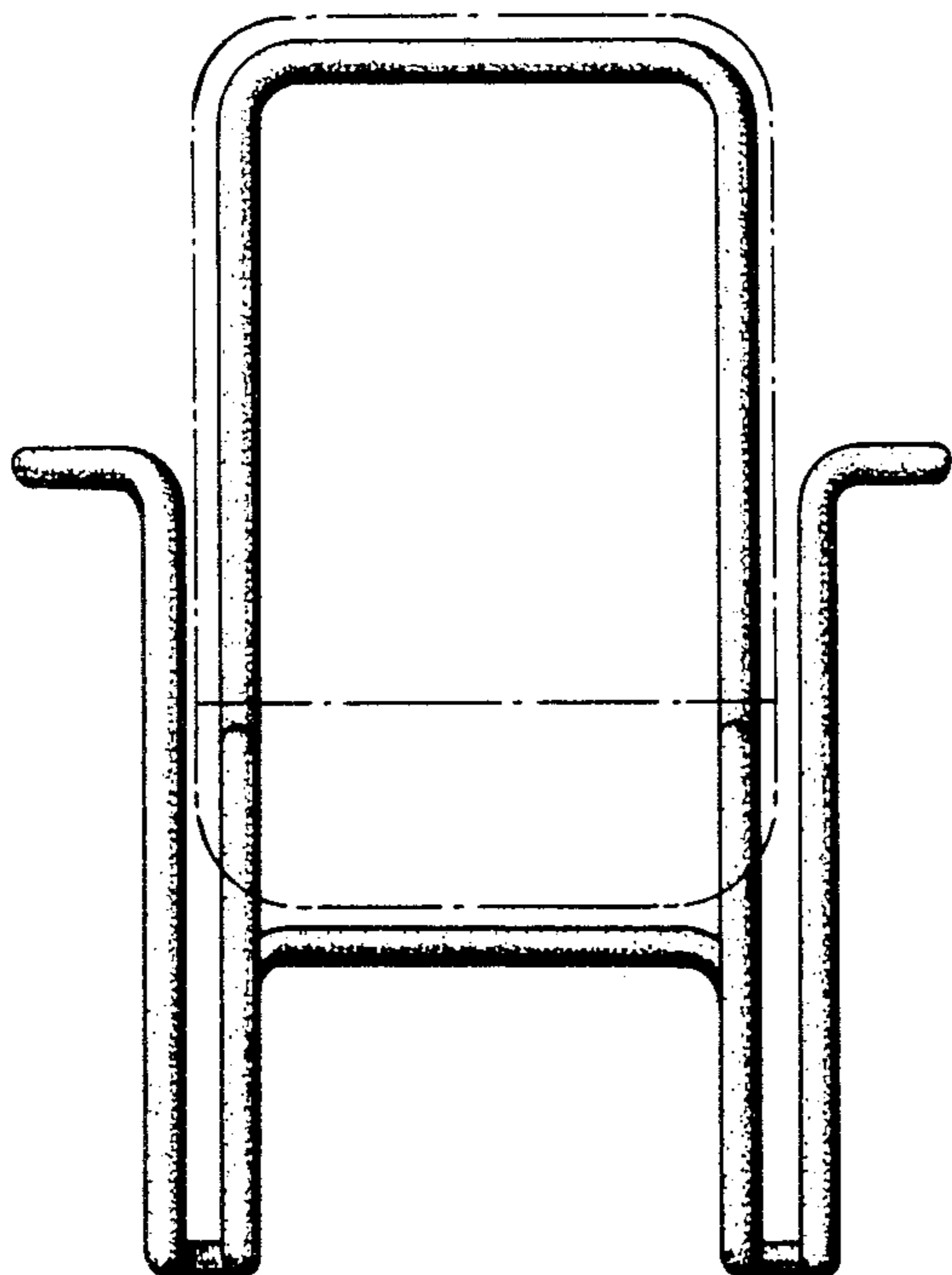


FIG. 5

