

[54] CHAISE FRAME

[76] Inventor: William McBride, 1110 W. Barry St., Chicago, Ill. 60657

[**] Term: 14 Years

[21] Appl. No.: 573,979

[22] Filed: Jan. 25, 1984

[52] U.S. Cl. D6/361; D6/501

[58] Field of Search D6/334, 344, 360, 361, D6/367, 368, 370, 373, 374, 376, 500, 501, 502; 297/16

[56] References Cited

U.S. PATENT DOCUMENTS

- D. 233,810 12/1974 Uyeda D6/368 X
- D. 267,601 1/1983 Hickey D6/361
- D. 280,276 8/1985 McKay D6/361 X
- D. 281,037 10/1985 Parker D6/361

OTHER PUBLICATIONS

Brown Jordan Catalog, ©1976, p. 42, Lido Group, Chaise No. 1150-7000.

Primary Examiner—Bruce W. Dunkins
Attorney, Agent, or Firm—John R. Crossan

[57] CLAIM

The ornamental design for a chaise frame, substantially as shown and described.

DESCRIPTION

FIG. 1 is a front perspective view of a chaise frame showing my design;
 FIG. 2 is a side elevational view, the undisclosed side being a mirror image thereof;
 FIG. 3 is a top plan view;
 FIG. 4 is a front elevational view; and
 FIG. 5 is a rear elevational view thereof.
 The support surface disclosed by means of broken lines in the figures is shown for illustrative purposes only.

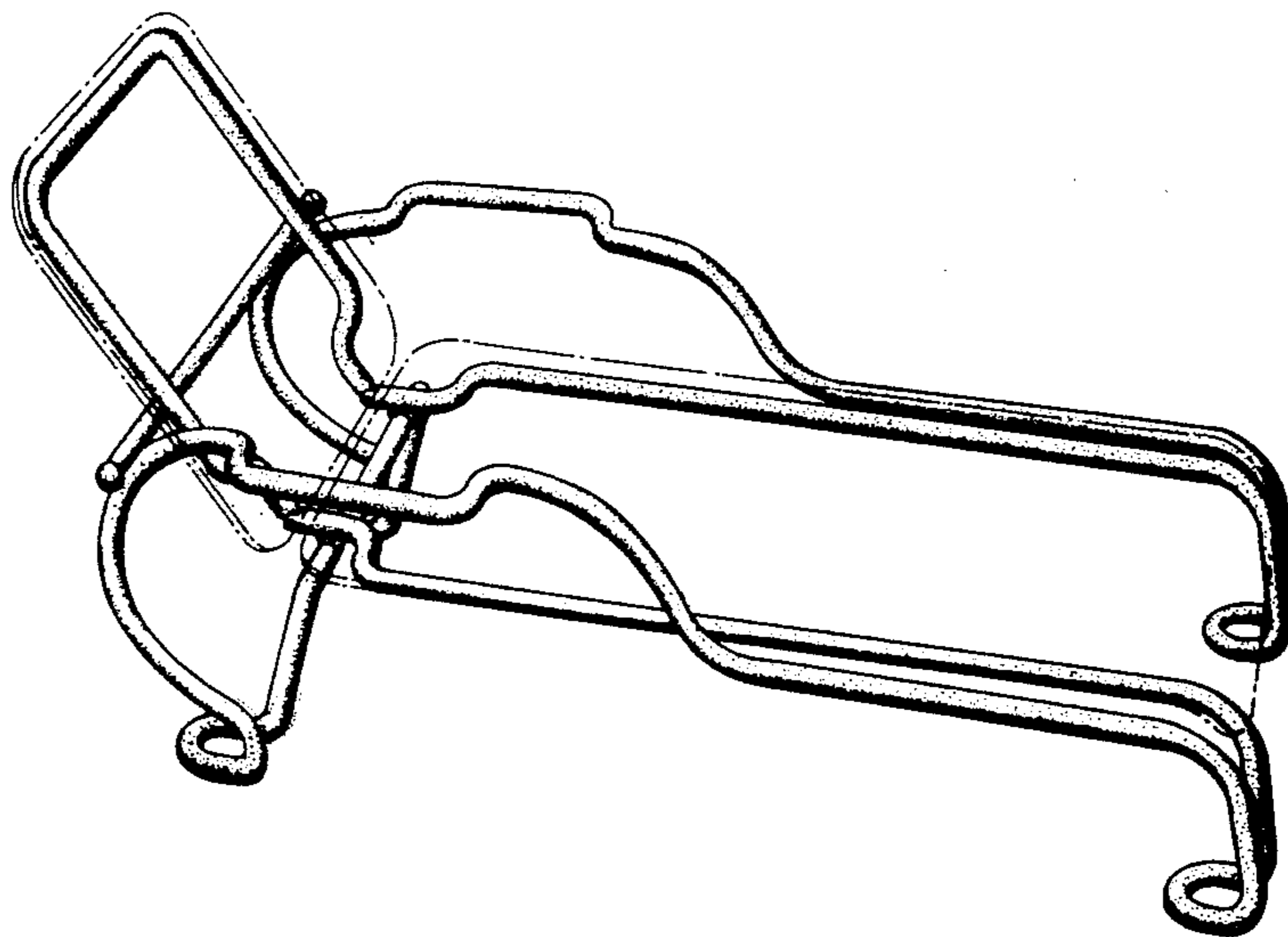


FIG. 1

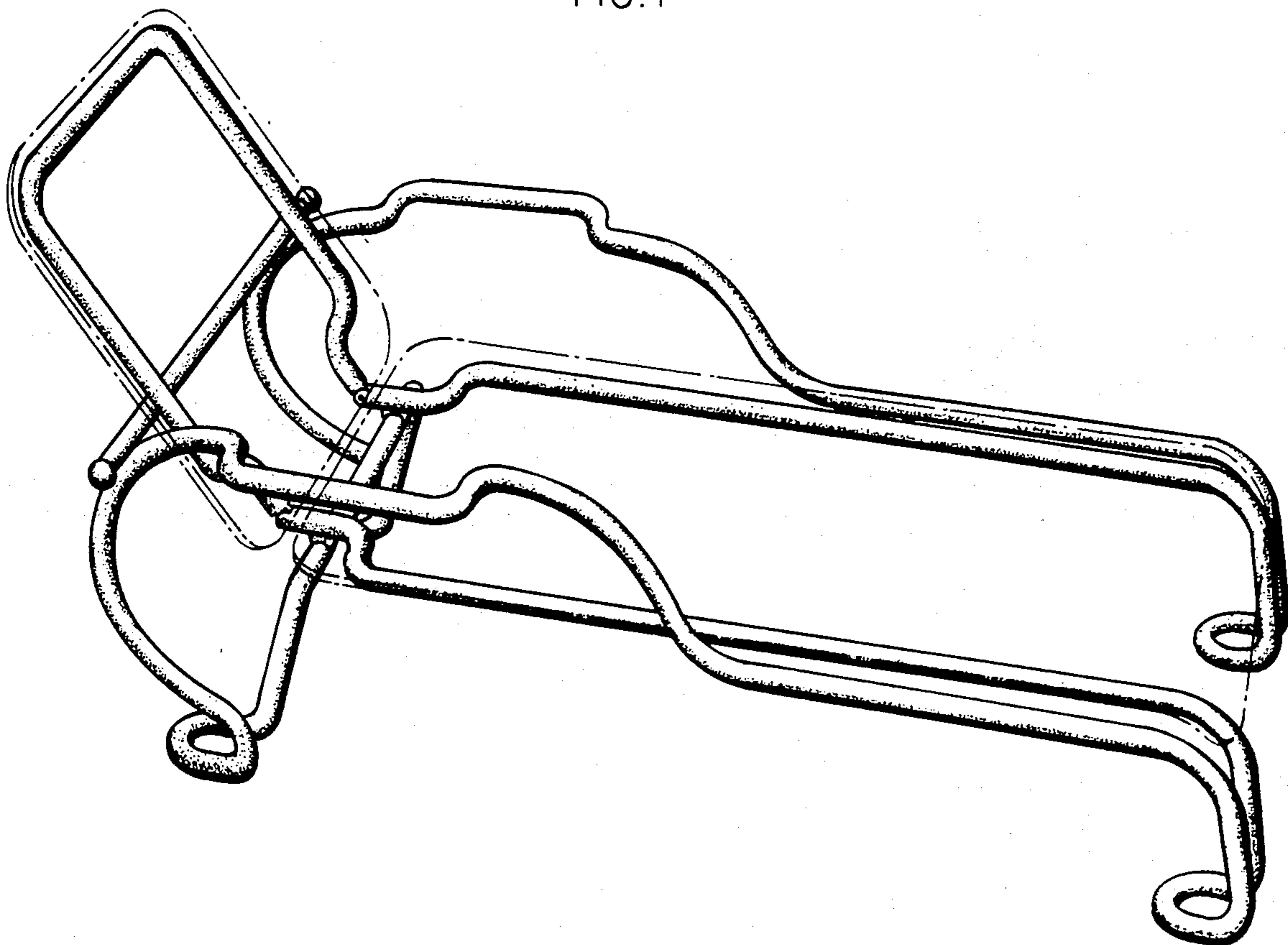


FIG. 2

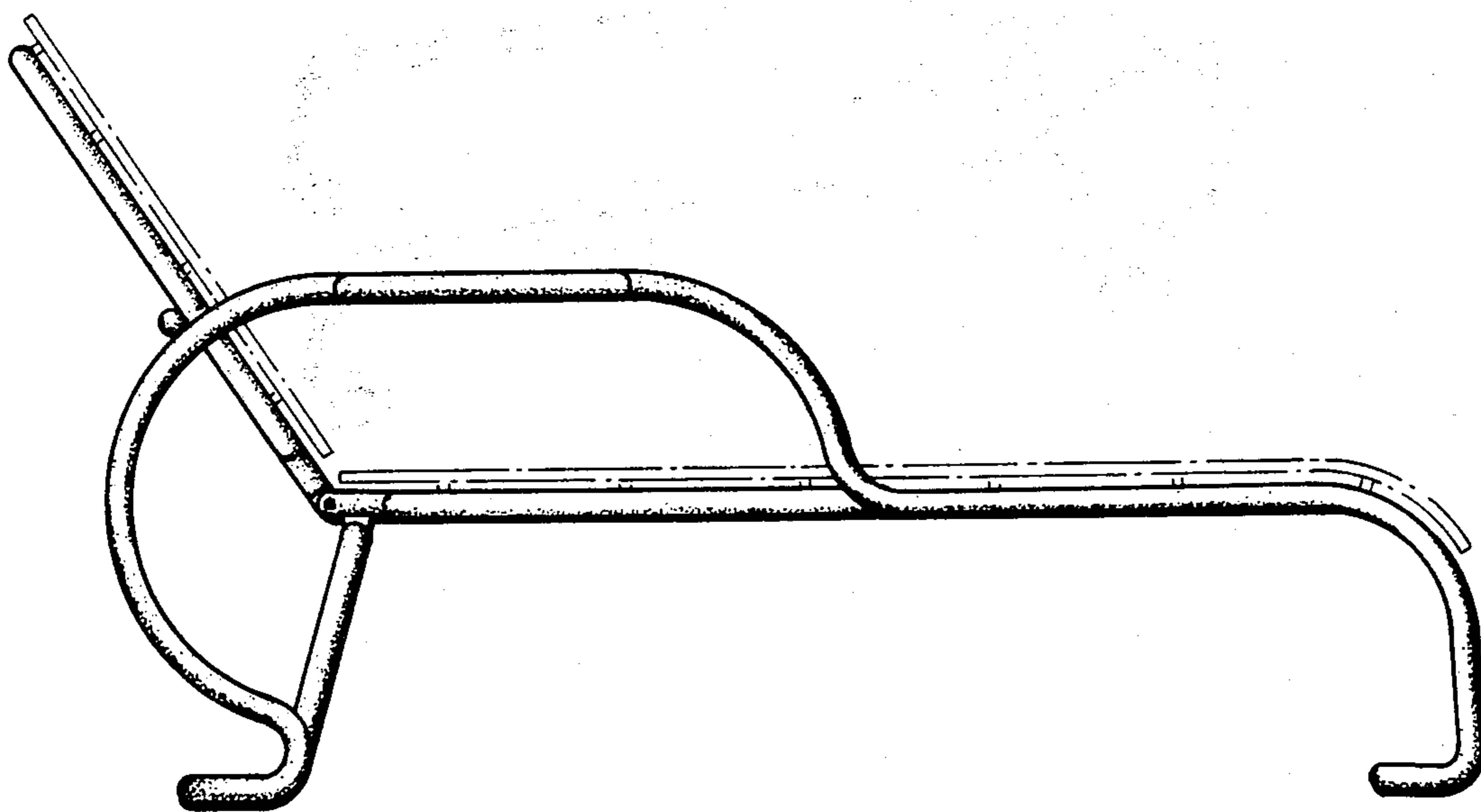


FIG. 3

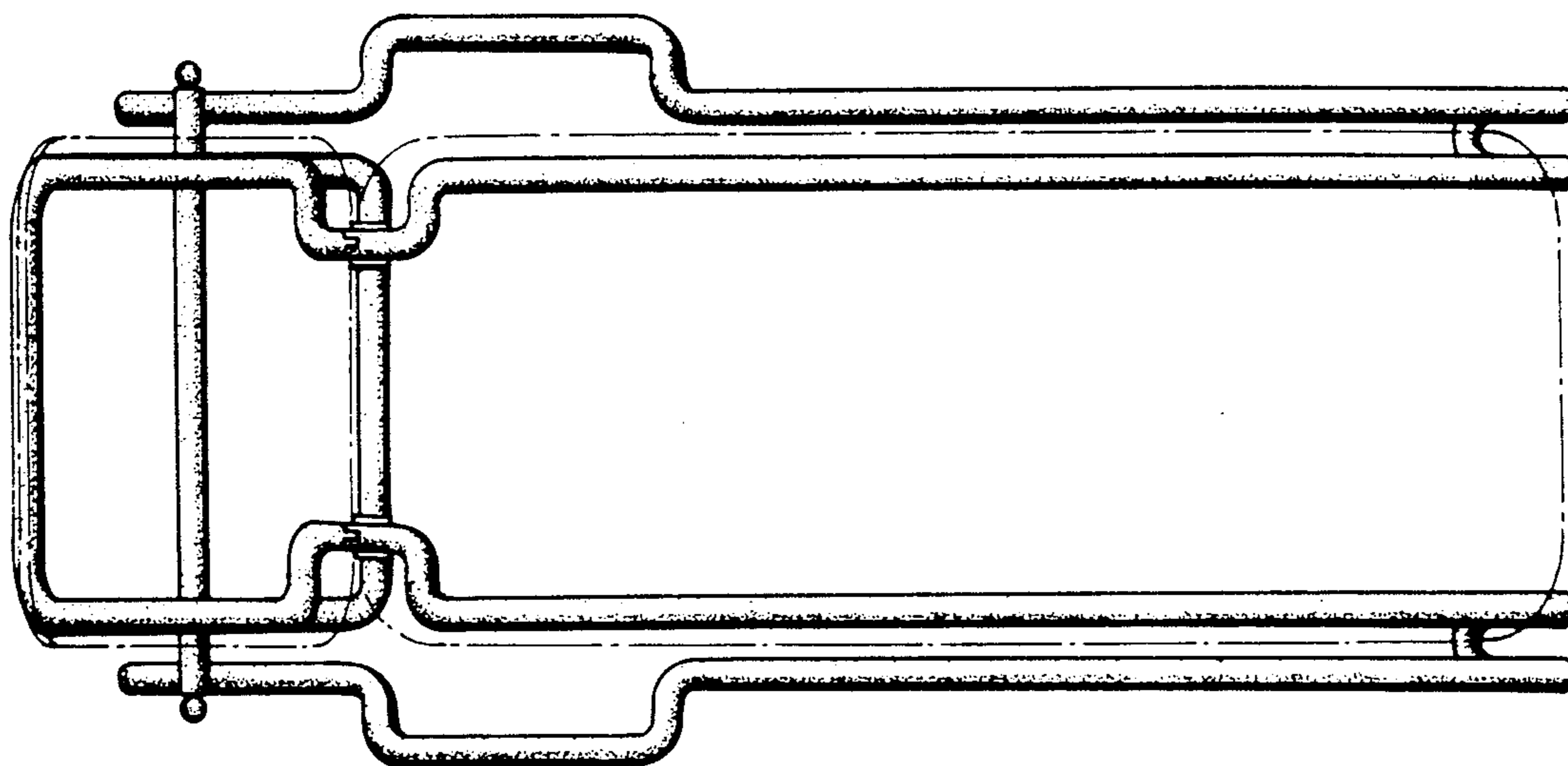


FIG. 4

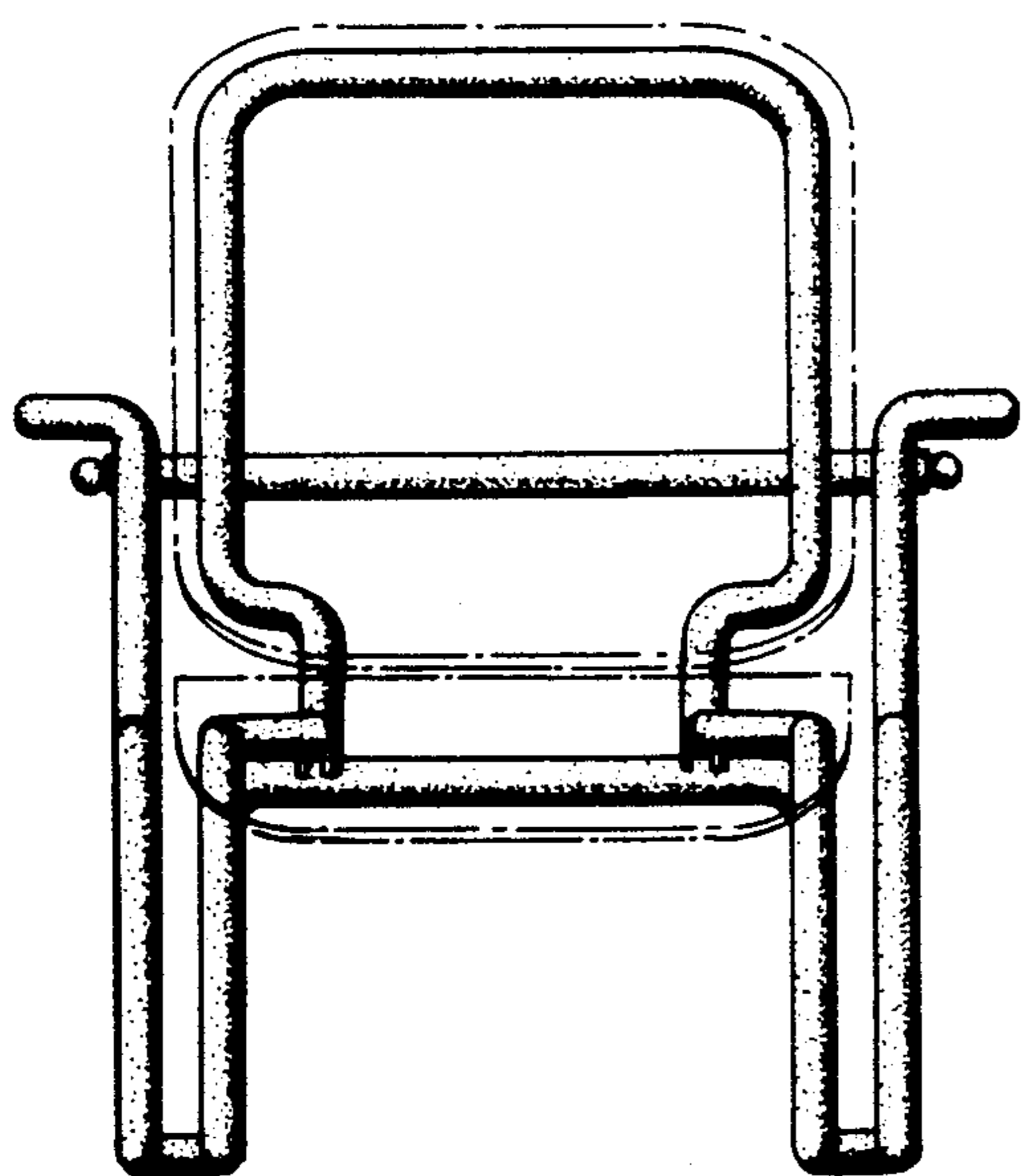


FIG. 5

