

[54] HAND TRUCK FOR DISPLAYING A PRODUCT

D. 184,439	2/1959	Hellmann	.....	D6/463
2,220,150	11/1940	Goldman	.....	D34/21
2,519,711	8/1950	Sprechmann	.....	D6/462
3,039,783	6/1962	Stanley	.....	D34/22

[75] Inventor: John J. Jackmore, St. James, N.Y.

[73] Assignee: Crown Zellerbach Corporation, San Francisco, Calif.

[\*\*] Term: 14 Years

Primary Examiner—James M. Gandy  
Assistant Examiner—Kay H. Chin  
Attorney, Agent, or Firm—Stanley M. Teigland

[21] Appl. No.: 633,780

[57] CLAIM

The ornamental design for a hand truck for displaying a product, as shown.

[22] Filed: Jul. 23, 1984

[52] U.S. Cl. .... D34/26; D6/465

DESCRIPTION

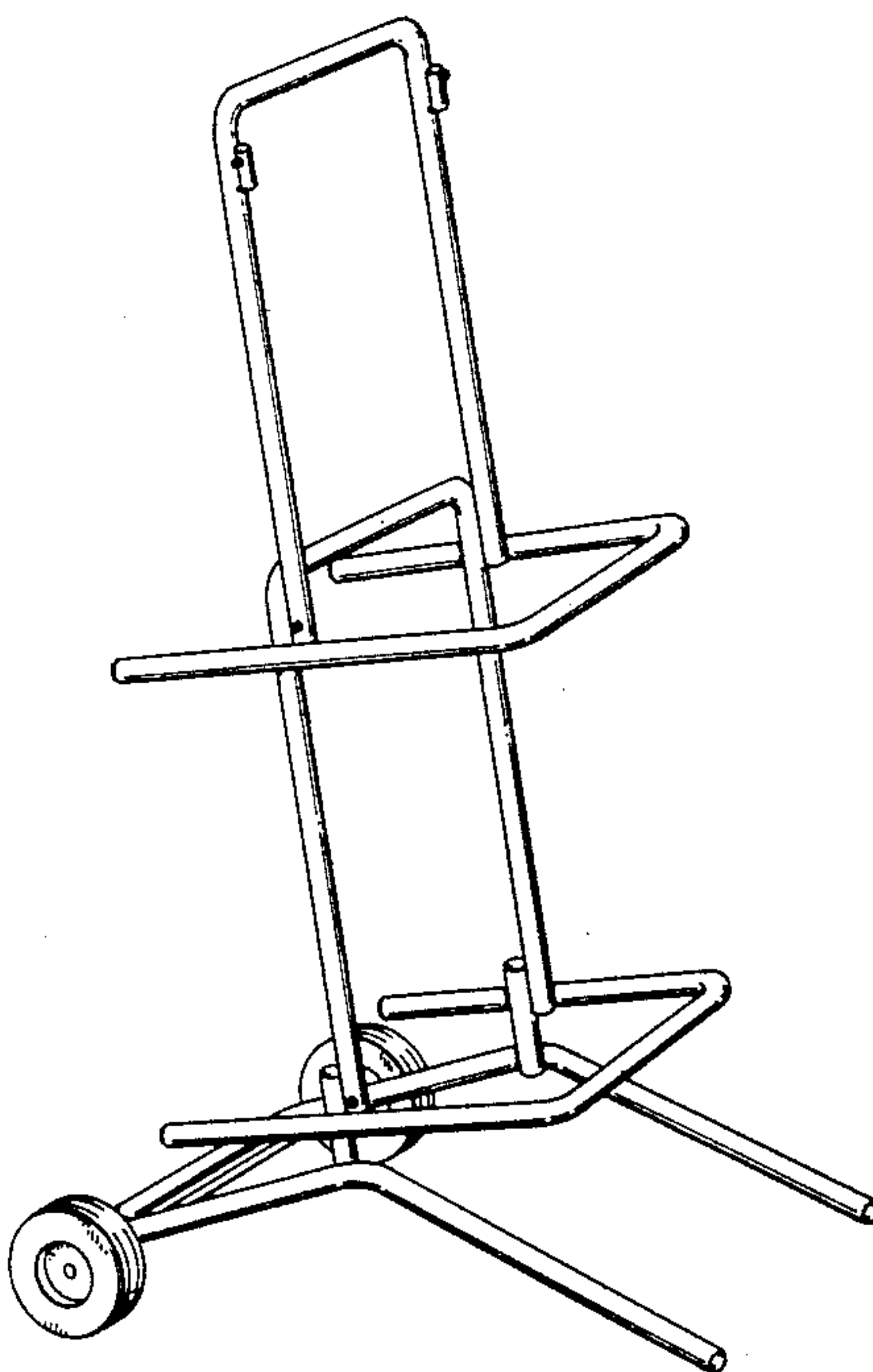
[58] Field of Search ..... D34/21, 22, 12, 17,  
D34/24; 280/641, 47.2, 47.24, 639, 645, 47.26;  
D6/449, 462, 465, 463

FIG. 1 is a perspective view of a hand truck for displaying a product showing my new design;  
FIG. 2 is a side elevation view thereof;  
FIG. 3 is a top plan view thereof looking in the direction of arrows 3—3 in FIG. 2; and  
FIG. 4 is a front elevation view thereof looking in the direction of arrows 4—4 in FIG. 2.

[56] References Cited

U.S. PATENT DOCUMENTS

D. 159,217 7/1950 Lydick ..... D6/465



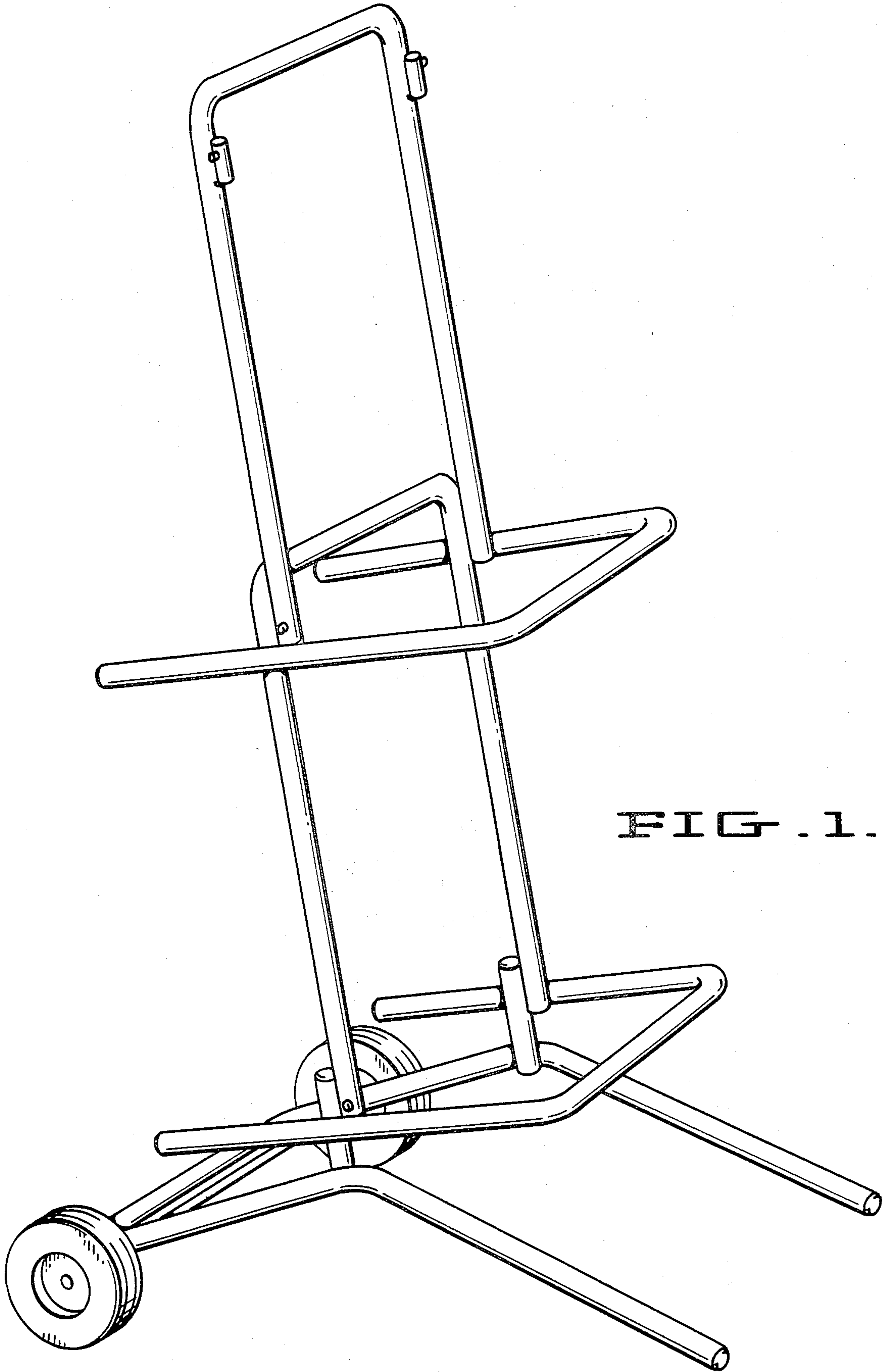


FIG. 1.

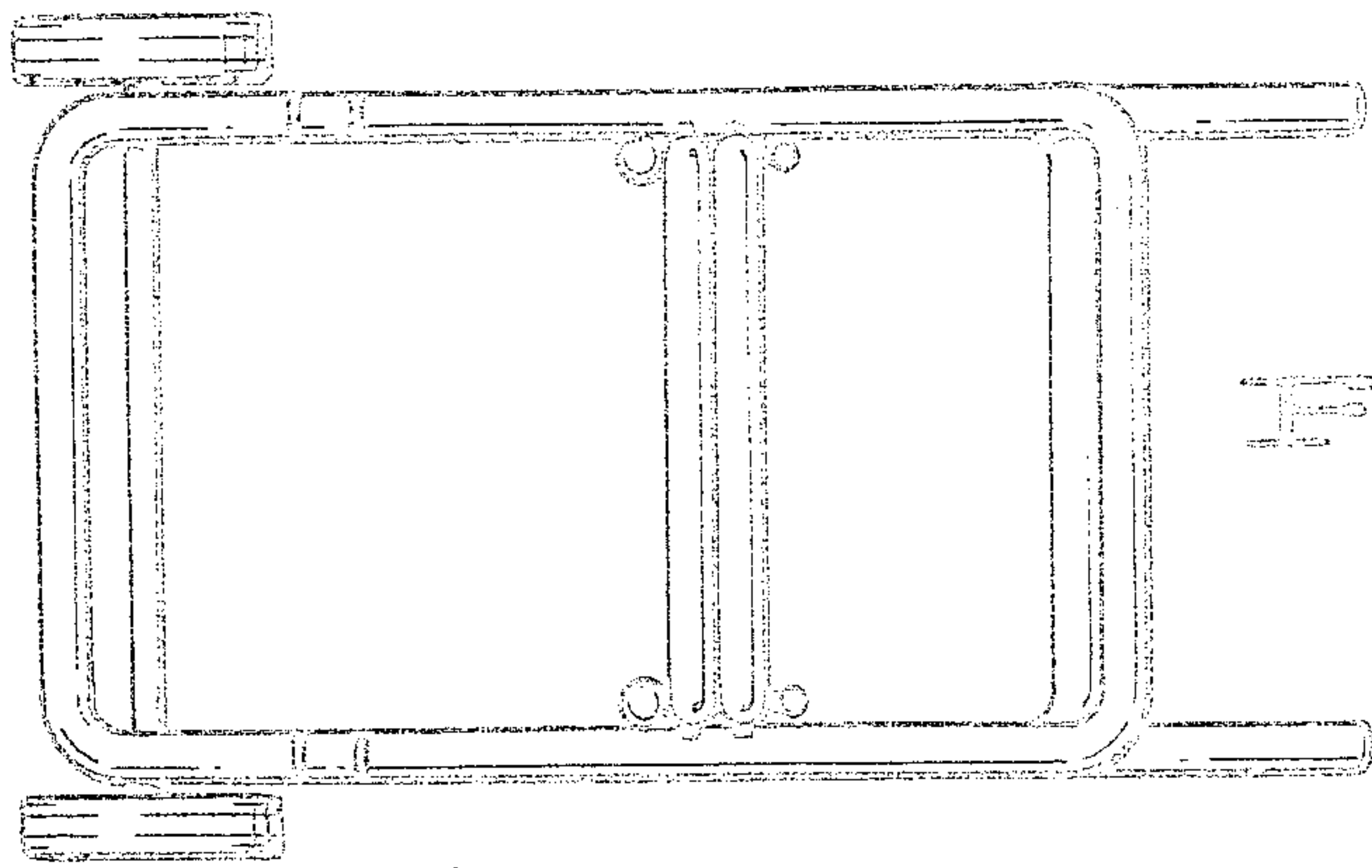


FIG. 3.

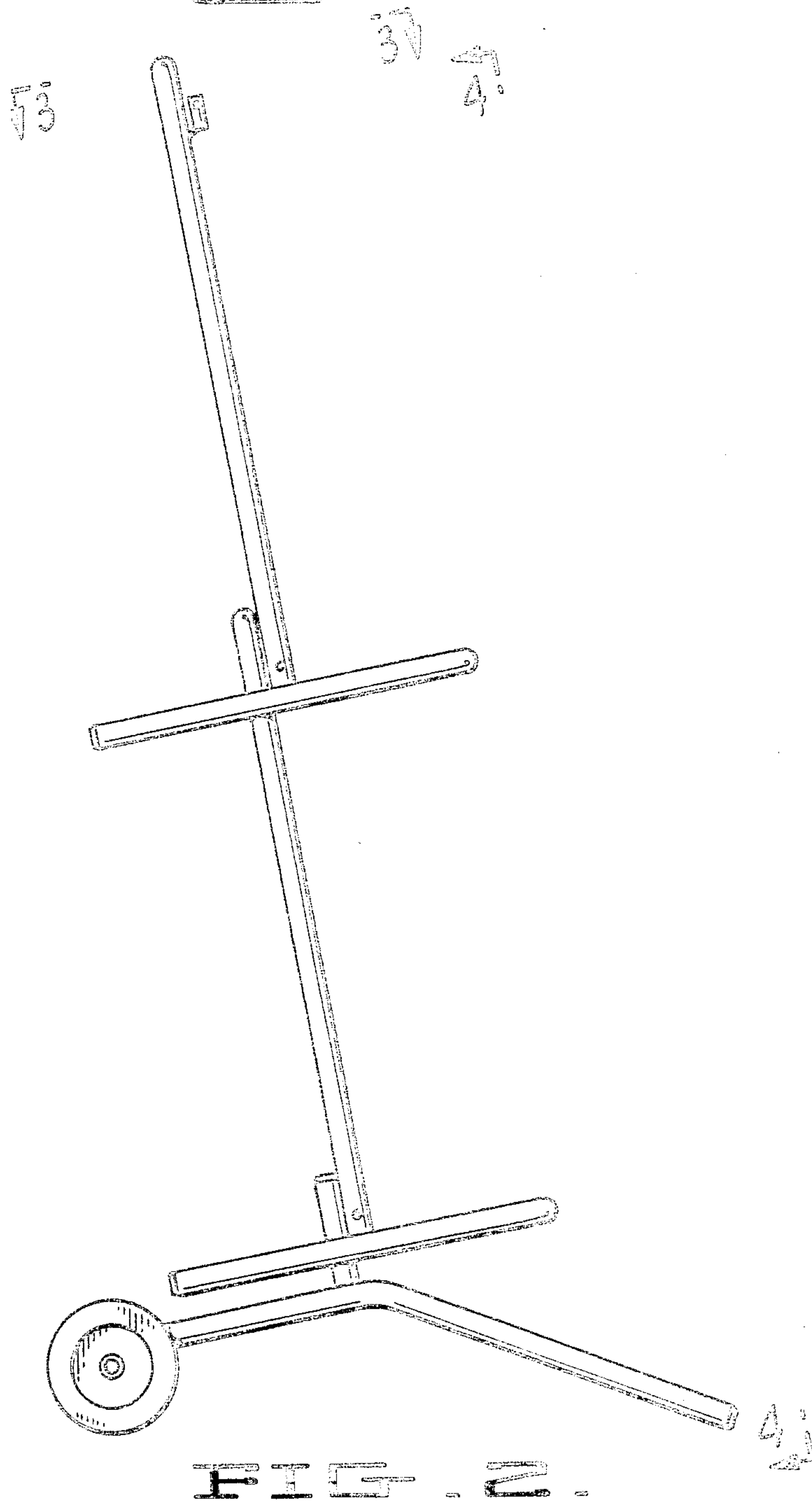


FIG. 2.

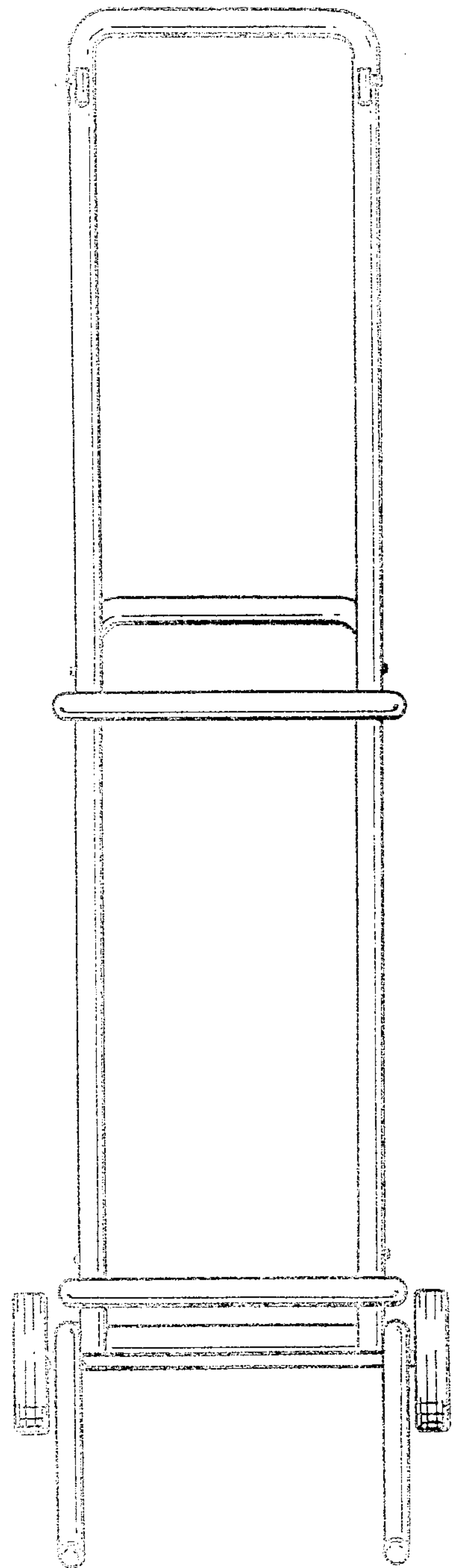


FIG. 4.