

[54] MOTOR PROPELLED GOLF CLUB CART

4,289,324 9/1981 Nemeth 280/DIG. 5

[76] Inventors: Ramon J. Zentis, 5533 Amoroso, Fort Myers, Fla. 33907; Alfred A. Zentis, 8991 Main St., McKean, Pa. 16426

Primary Examiner—James M. Gandy
Assistant Examiner—Kay H. Chin
Attorney, Agent, or Firm—Burns, Doane, Swecker & Mathis

[**] Term: 14 Years

[57] CLAIM

[21] Appl. No.: 626,150

The ornamental design for a motor propelled golf club cart, as shown and described.

[22] Filed: Jun. 29, 1984

[52] U.S. Cl. D34/15

DESCRIPTION

[58] Field of Search D34/15; 280/DIG. 5, 280/DIG. 6, 47.26, 47.24; 180/11, 19.1

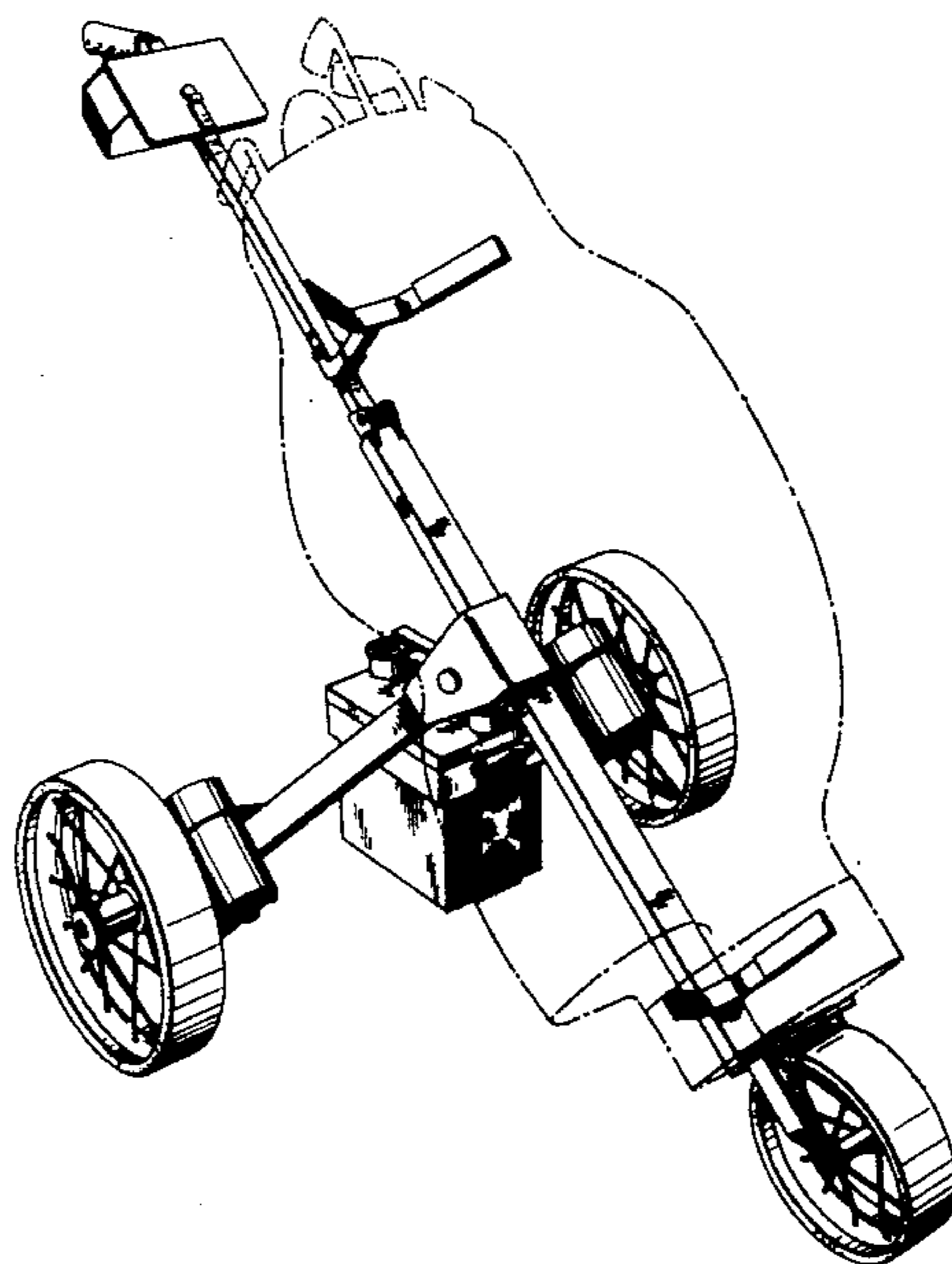
FIG. 1 is a perspective view of a motor propelled golf club cart showing my new design; FIG. 2 is a side elevational view thereof; FIG. 3 is a rear elevational view thereof; FIG. 4 is a top plan view thereof; and FIG. 5 is a bottom plan view thereof.

[56] References Cited

U.S. PATENT DOCUMENTS

D. 217,715	6/1970	Tuson	D34/15
D. 246,966	1/1978	Nemeth	D34/15
2,914,336	11/1959	Hibben, Jr. et al.	D34/15
3,941,198	3/1976	Kappas	180/11

A golf bag is shown in broken lines in FIG. 1 as designation of environmental structure and is not a part of the present invention.



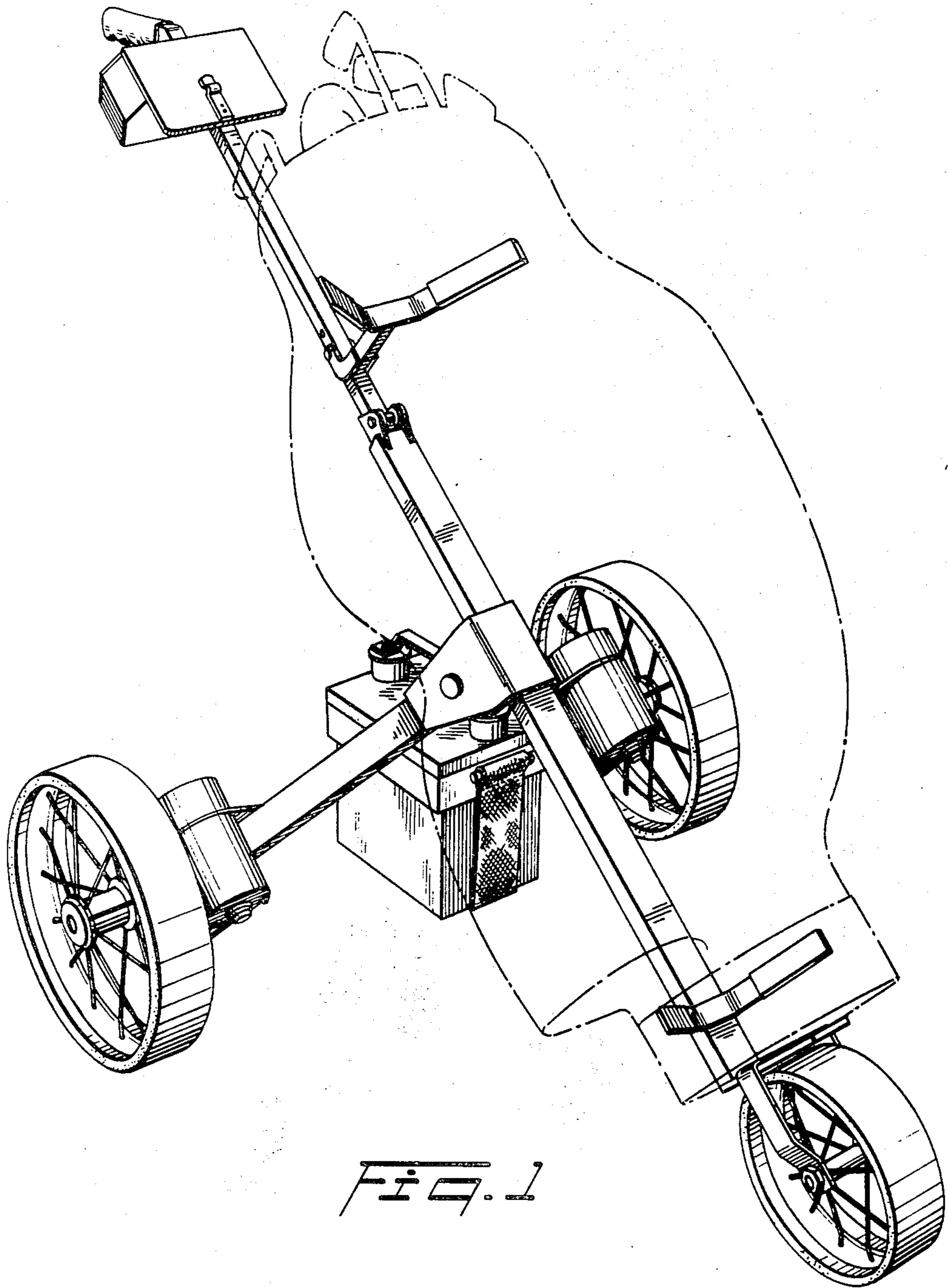


FIG. 1

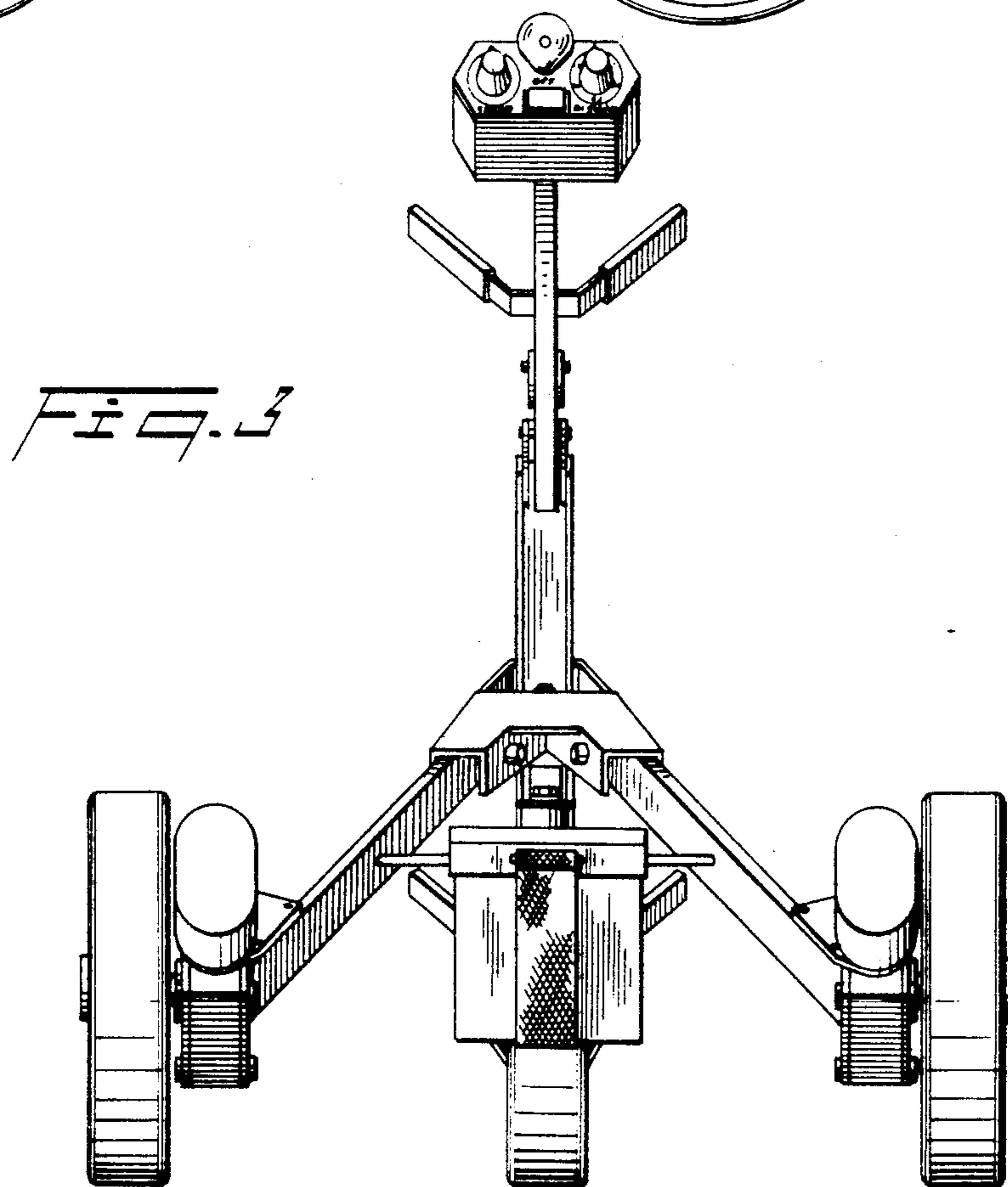
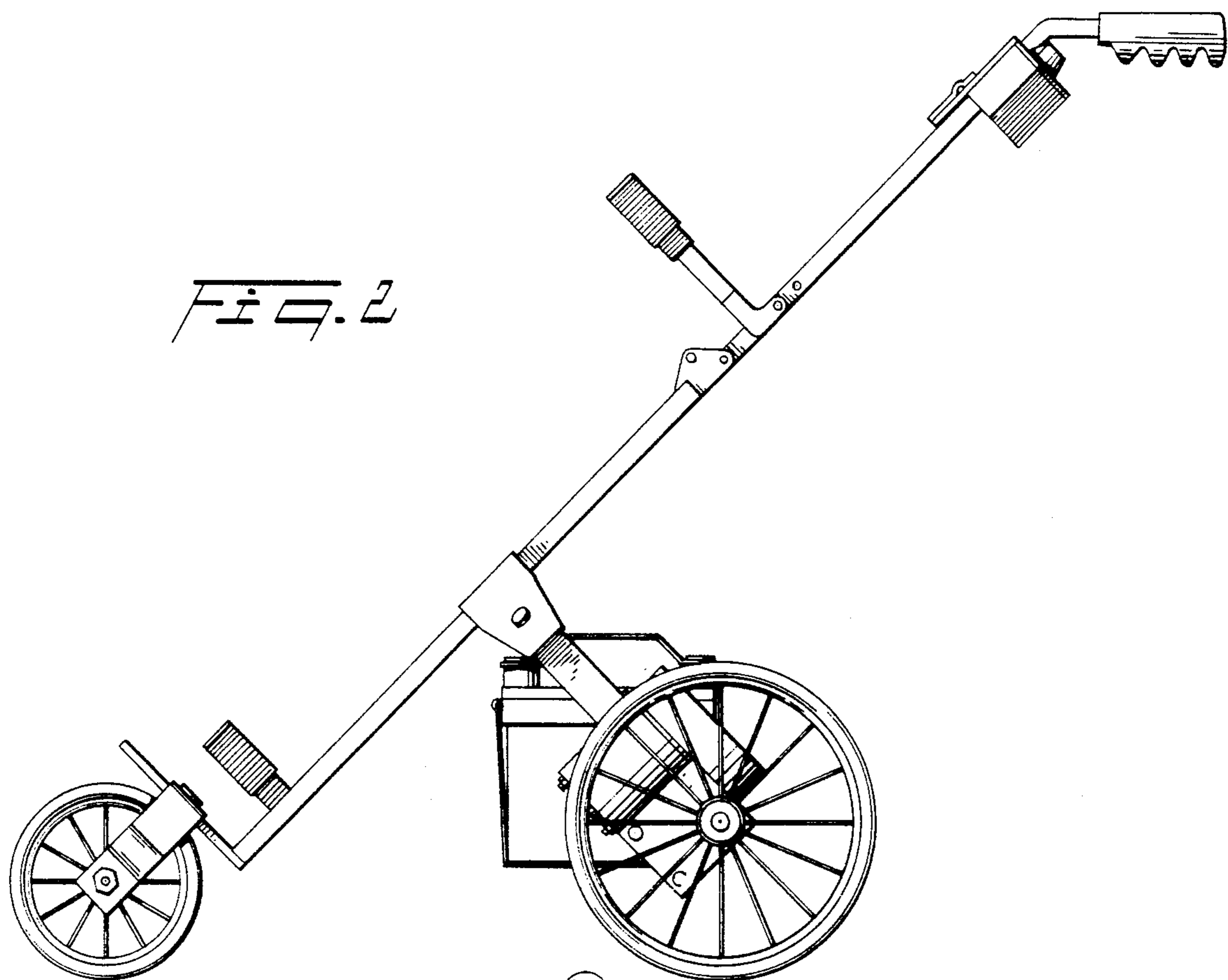


FIG. 4

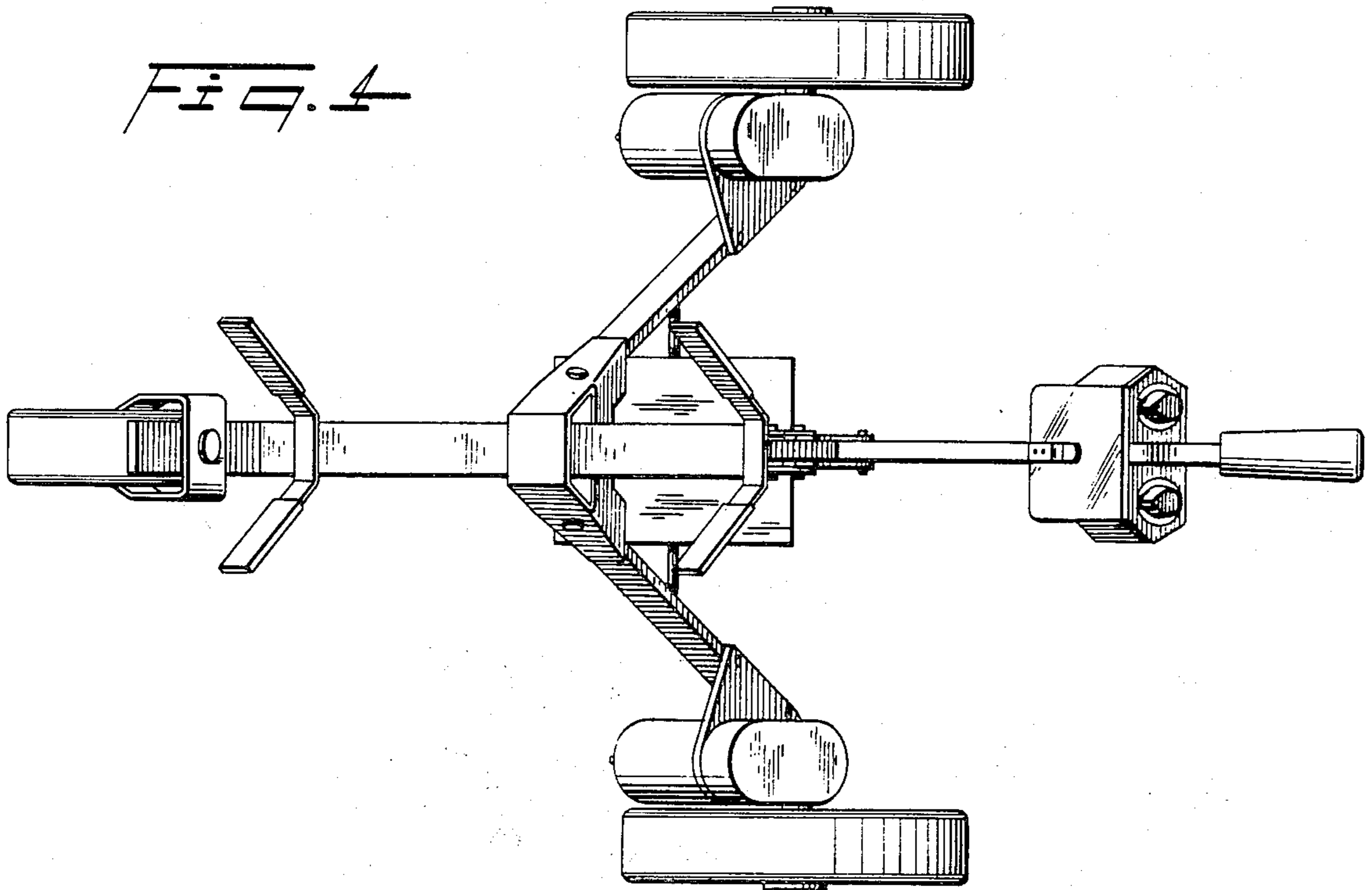


FIG. 5

