

[54] **POT AND PAN SCRAPER**

[76] Inventor: **Ronald Maciel**, 4238 Presidio Way,  
Napa, Calif. 94558

[\*\*] Term: **14 Years**

[21] Appl. No.: **478,645**

[22] Filed: **Mar. 25, 1983**

[52] U.S. Cl. .... **D32/46**

[58] Field of Search ..... 15/236 R, 245; 30/169,  
30/171; D32/40, 41, 46

[56] **References Cited**

**U.S. PATENT DOCUMENTS**

- D. 30,404 3/1899 Booker ..... 15/236 R
- D. 221,244 7/1971 Lawrence ..... D32/46
- D. 233,586 11/1974 Kopp ..... D32/46
- D. 269,944 8/1983 Young ..... D32/42 X

- D. 276,564 11/1984 Leininger ..... D32/46
- 421,995 2/1890 Reibnitz ..... 15/236 R
- 472,006 3/1892 Walker et al. .... 15/236 R
- 2,380,186 7/1945 Mayer ..... 15/236 R
- 2,380,855 7/1945 Lower ..... 15/236 R
- 3,178,747 4/1965 Peterson ..... D32/46 X

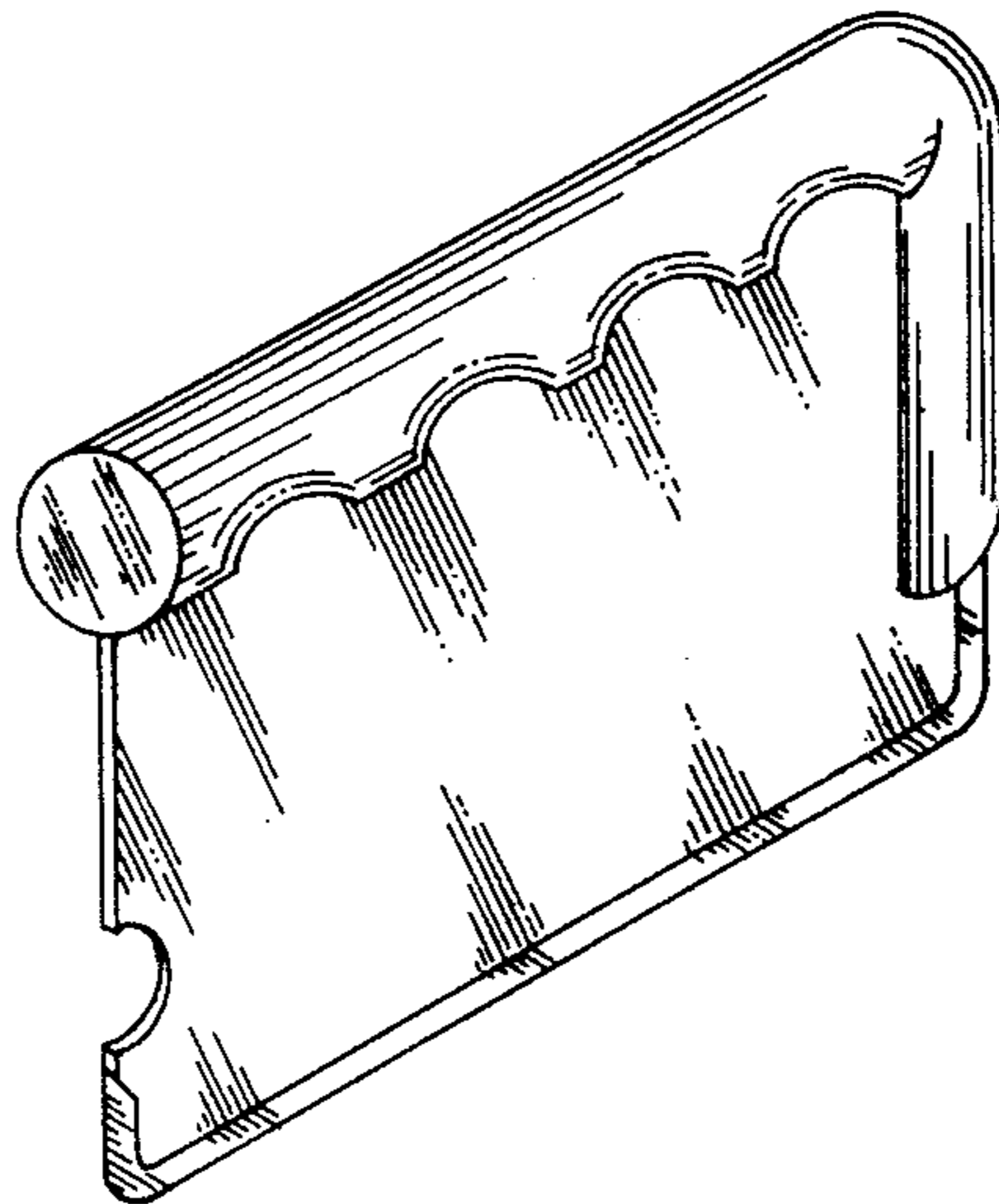
*Primary Examiner*—Catherine E. Kemper  
*Attorney, Agent, or Firm*—Andrew A. Steiner

[57] **CLAIM**

An ornamental design for a pot and pan scraper, substantially as shown and described.

**DESCRIPTION**

FIG. 1 is a front elevational view of a pot and pan scraper showing my new design.  
FIG. 2 is a left and elevational view thereof;  
FIG. 3 is a right and elevational view thereof;  
FIG. 4 is a bottom plain view thereof;  
FIG. 5 is a perspective view thereof.



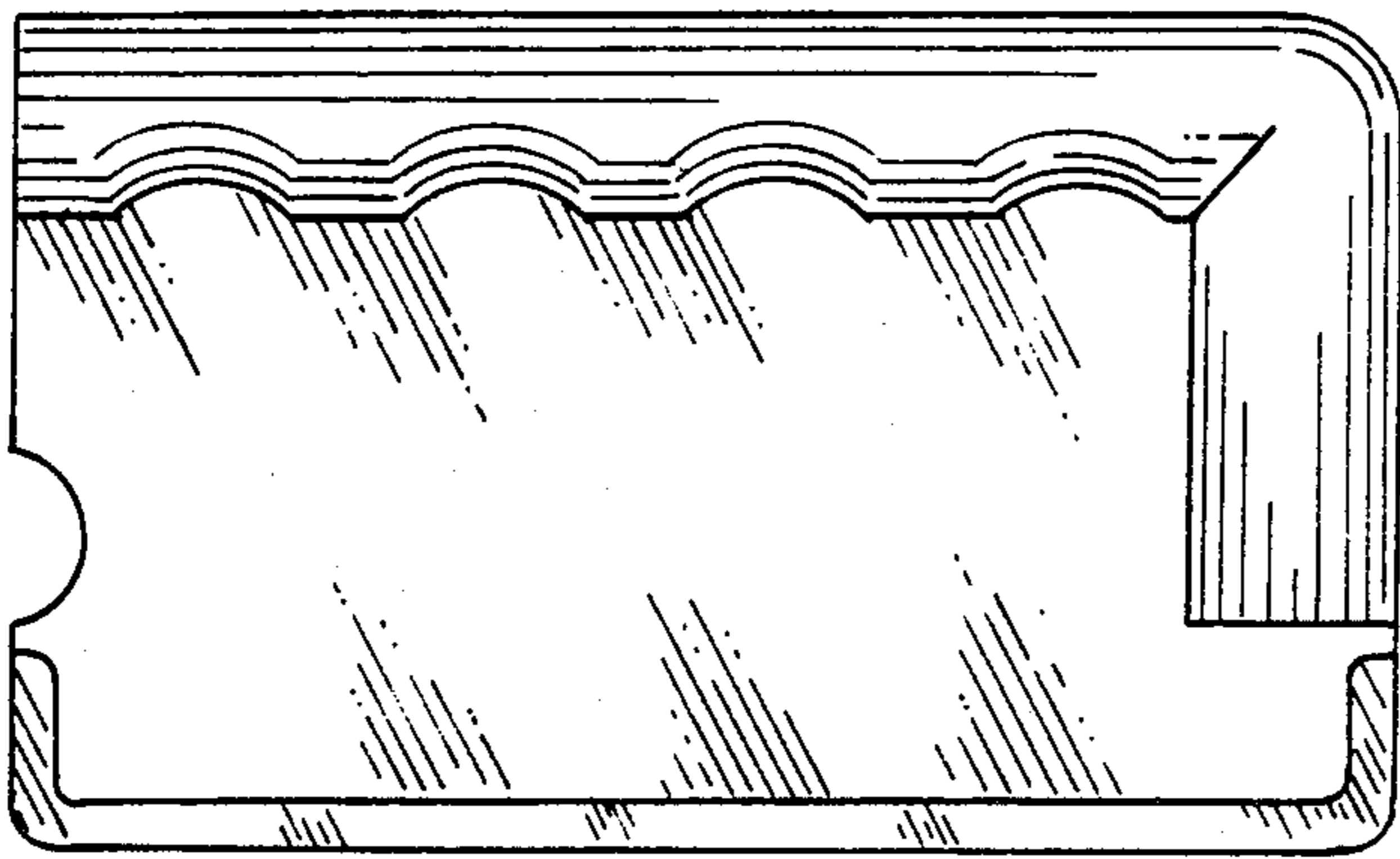


FIG. 1

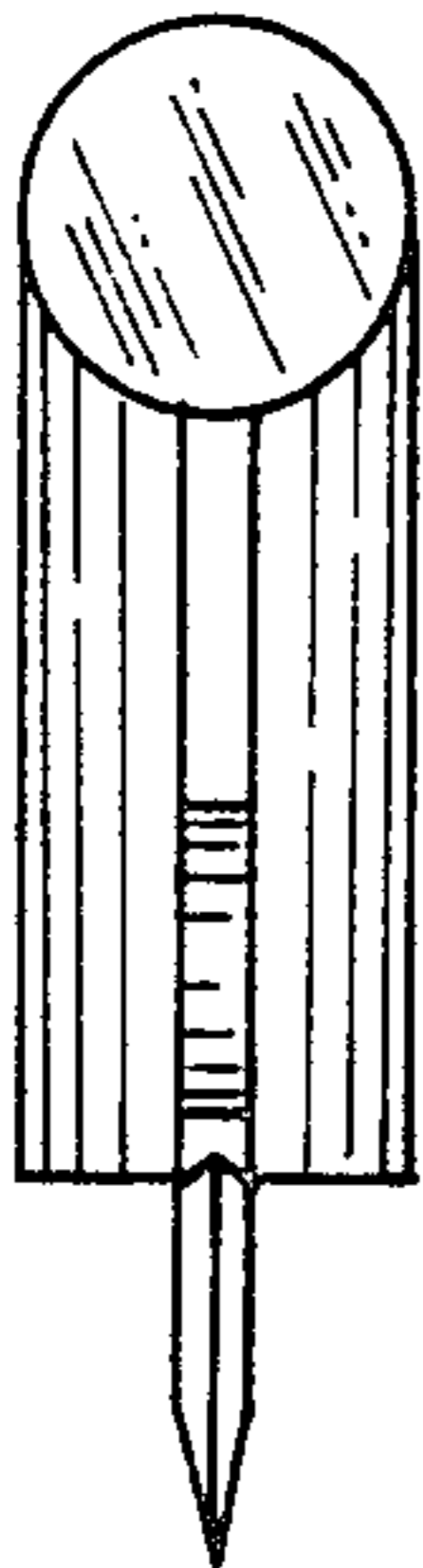


FIG. 2

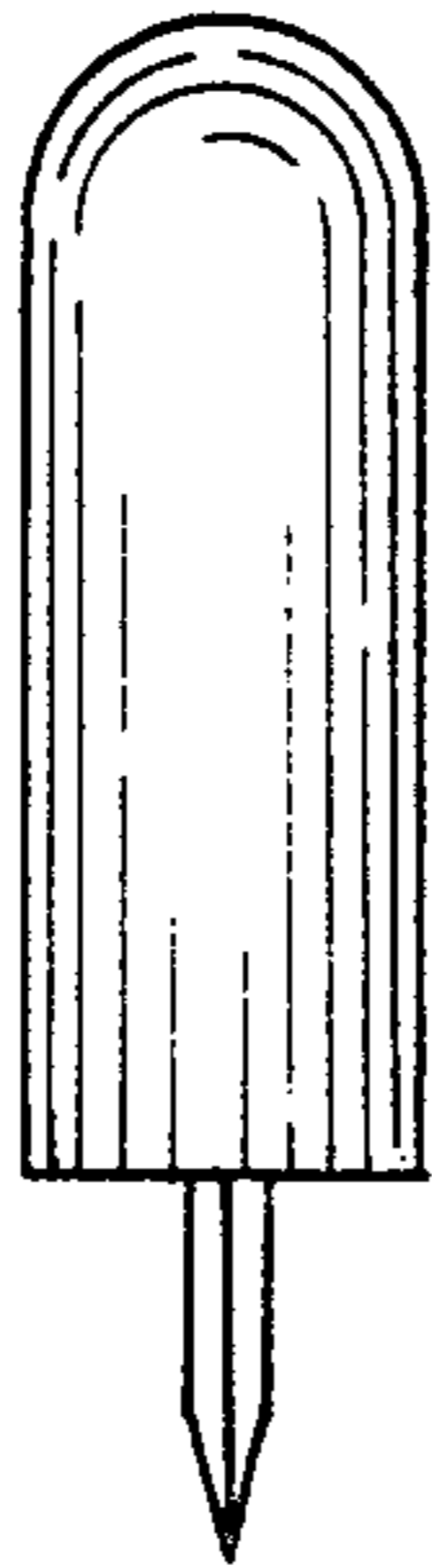


FIG. 3

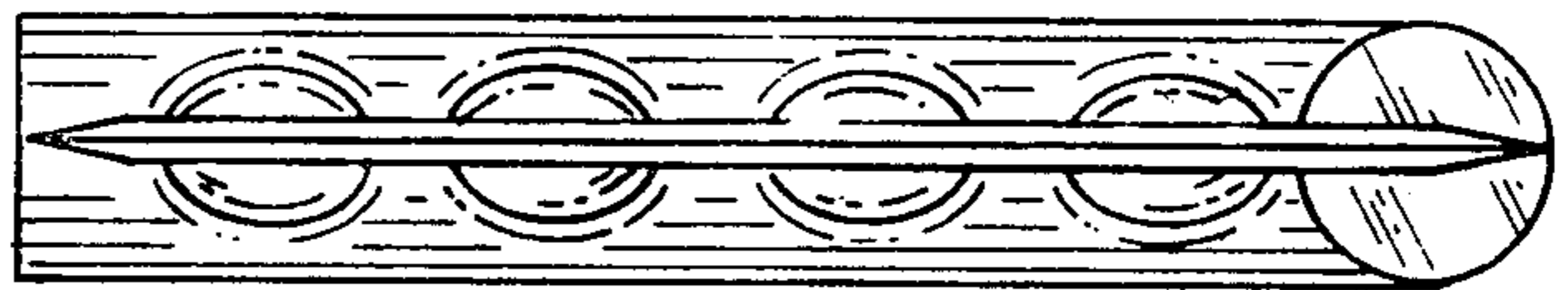


FIG. 4

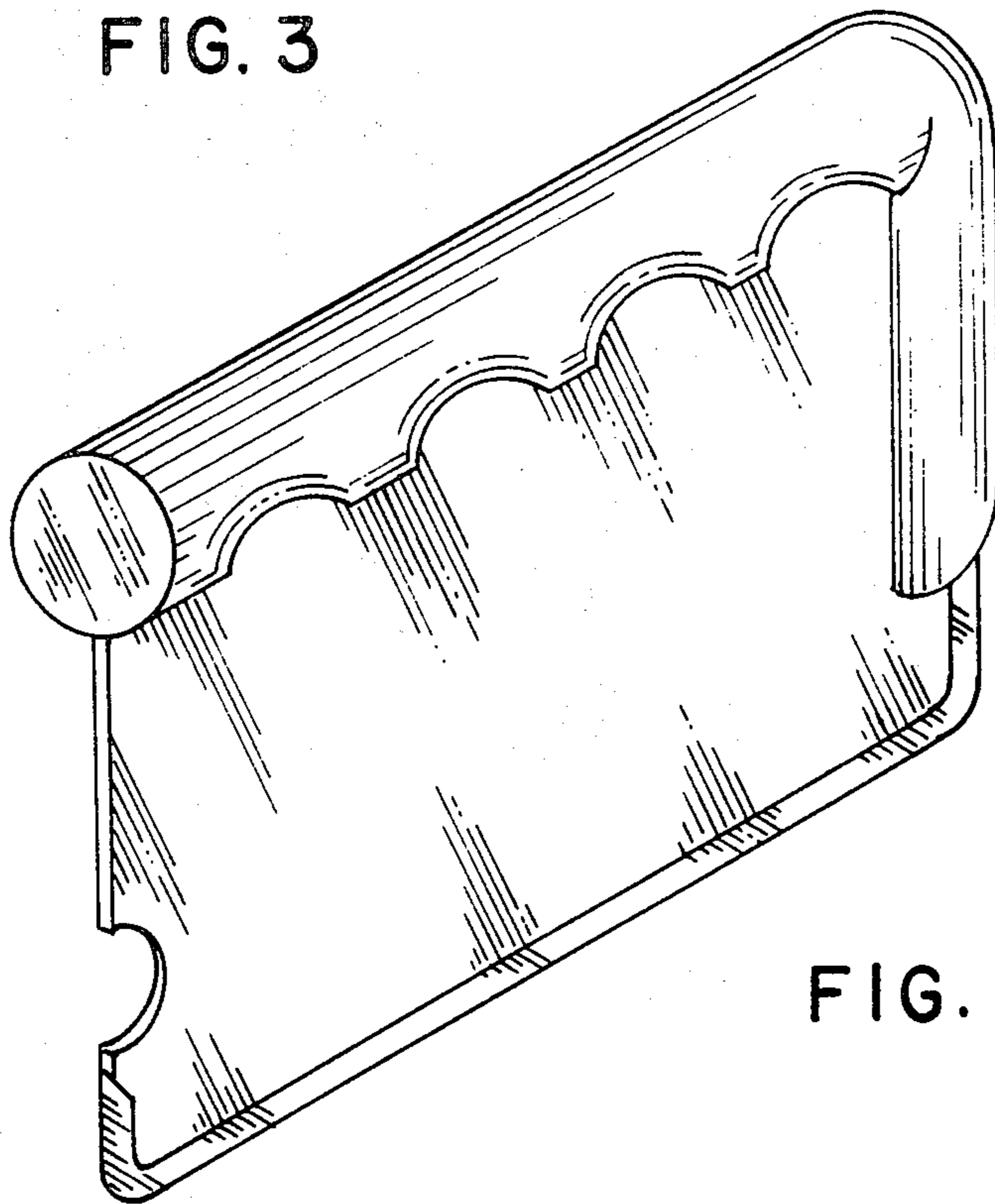


FIG. 5