

[54] TASK LIGHT

[75] Inventor: Niels Diffrient, Ridgefield, Conn.

[73] Assignee: Hauserman, Inc., Cleveland, Ohio

[**] Term: 14 Years

[21] Appl. No.: 558,200

[22] Filed: Dec. 5, 1983

[52] U.S. Cl. D26/66

[58] Field of Search D26/60-66;
362/297, 310, 311, 410-414, 418, 419, 432, 269,
275, 277, 285

[56] References Cited

U.S. PATENT DOCUMENTS

D. 147,900 11/1947 Fanelli D26/60
1,680,469 8/1928 Morgan 362/432 X

OTHER PUBLICATIONS

Home Lighting and Accessories, 3-1982, p. 131, Kling Metal Spinning and Stamping Co. Lamp.
Lighting Design and Application, 10-1978, p. 49, "Eye Shade" Series Lamp.

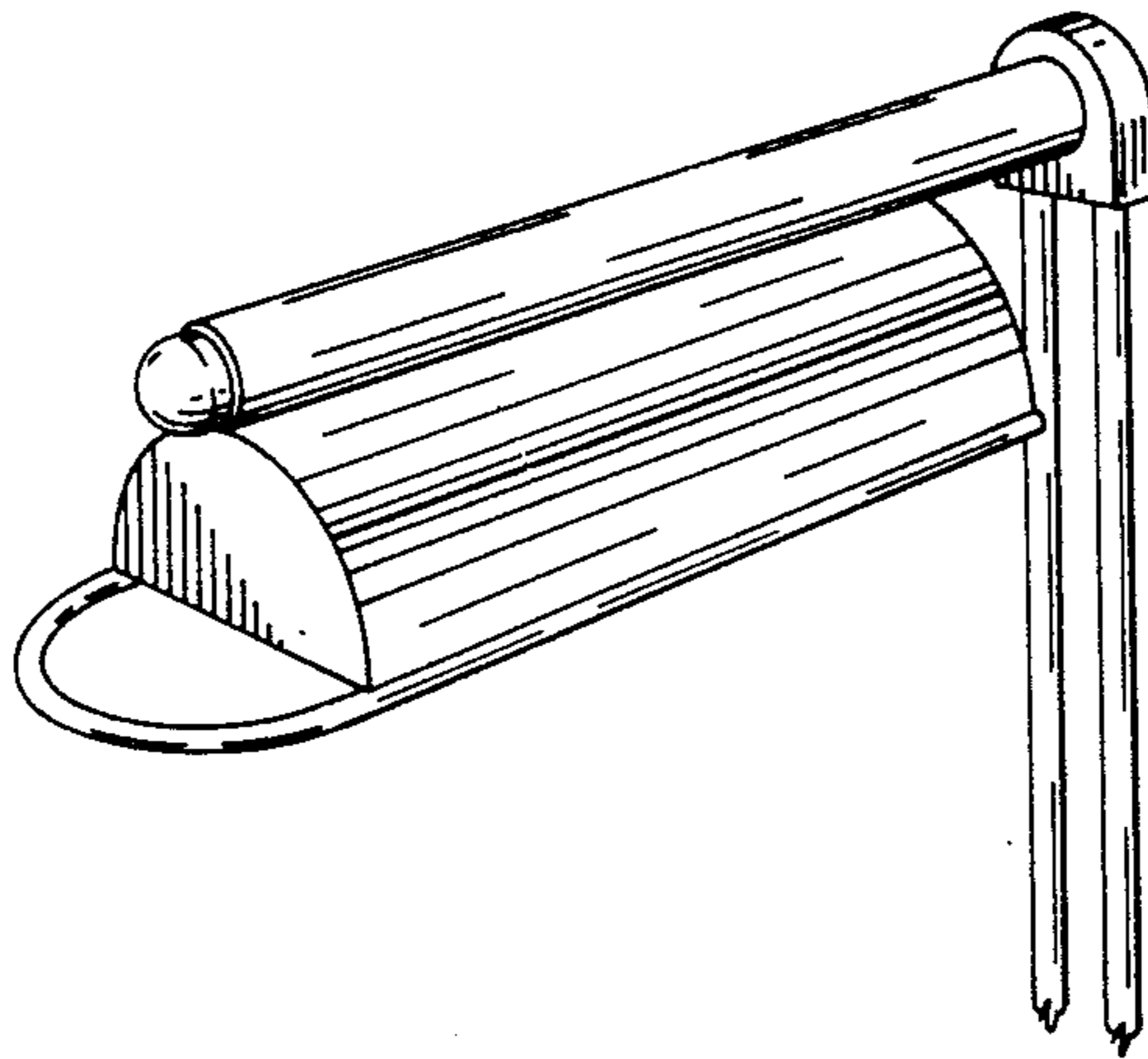
Primary Examiner—Susan J. Lucas
Attorney, Agent, or Firm—Renner, Otto, Boisselle & Lyon

CLAIM

[57] The ornamental design for a task light, substantially as shown and described.

DESCRIPTION

FIG. 1 is a front perspective view of a task light showing my new design;
FIG. 2 is a front elevational view thereof;
FIG. 3 is a side elevational view thereof;
FIG. 4 is a rear elevational view thereof; and
FIG. 5 is a perspective view thereof with the task light in an extended position.



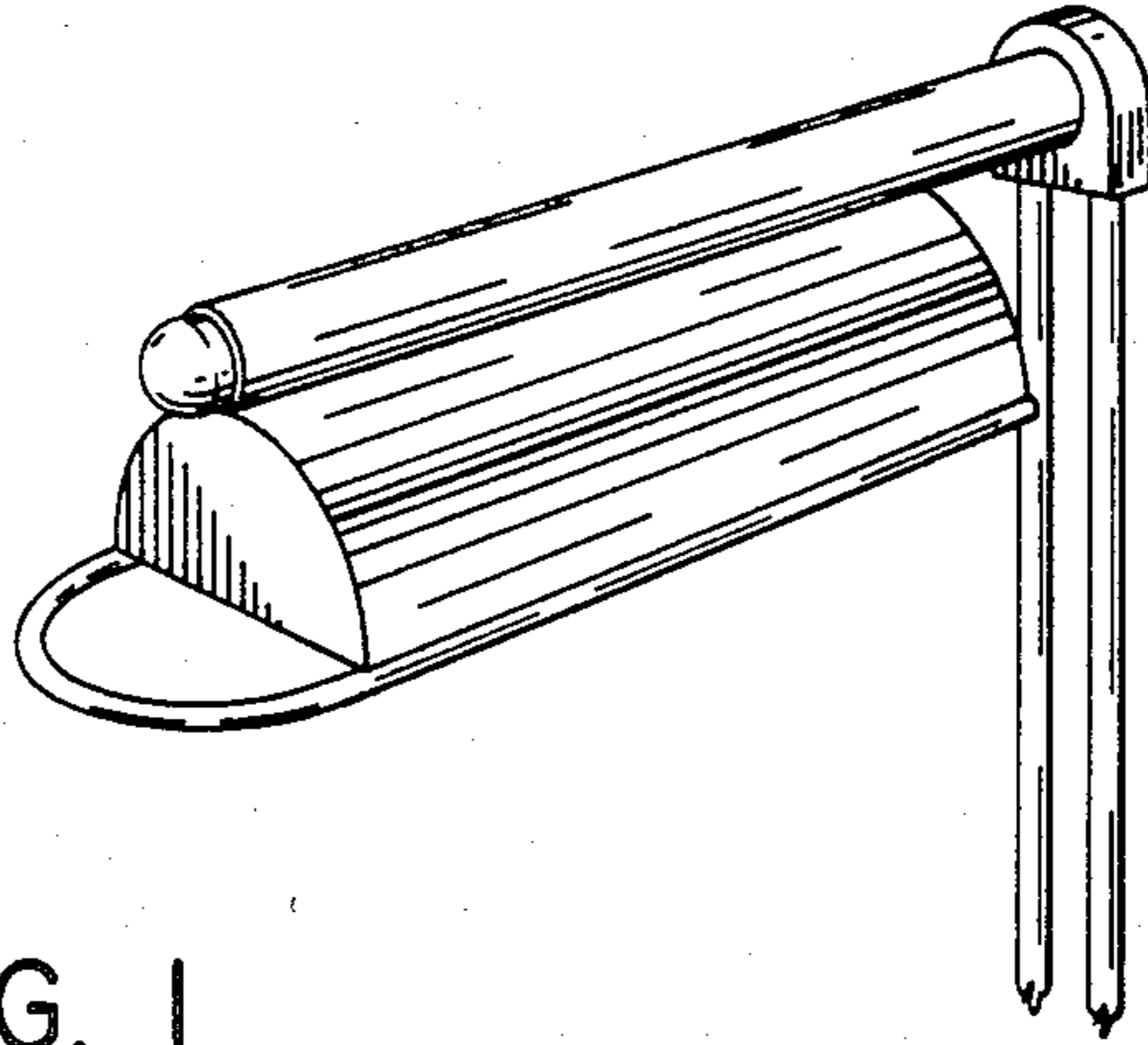


FIG. 1

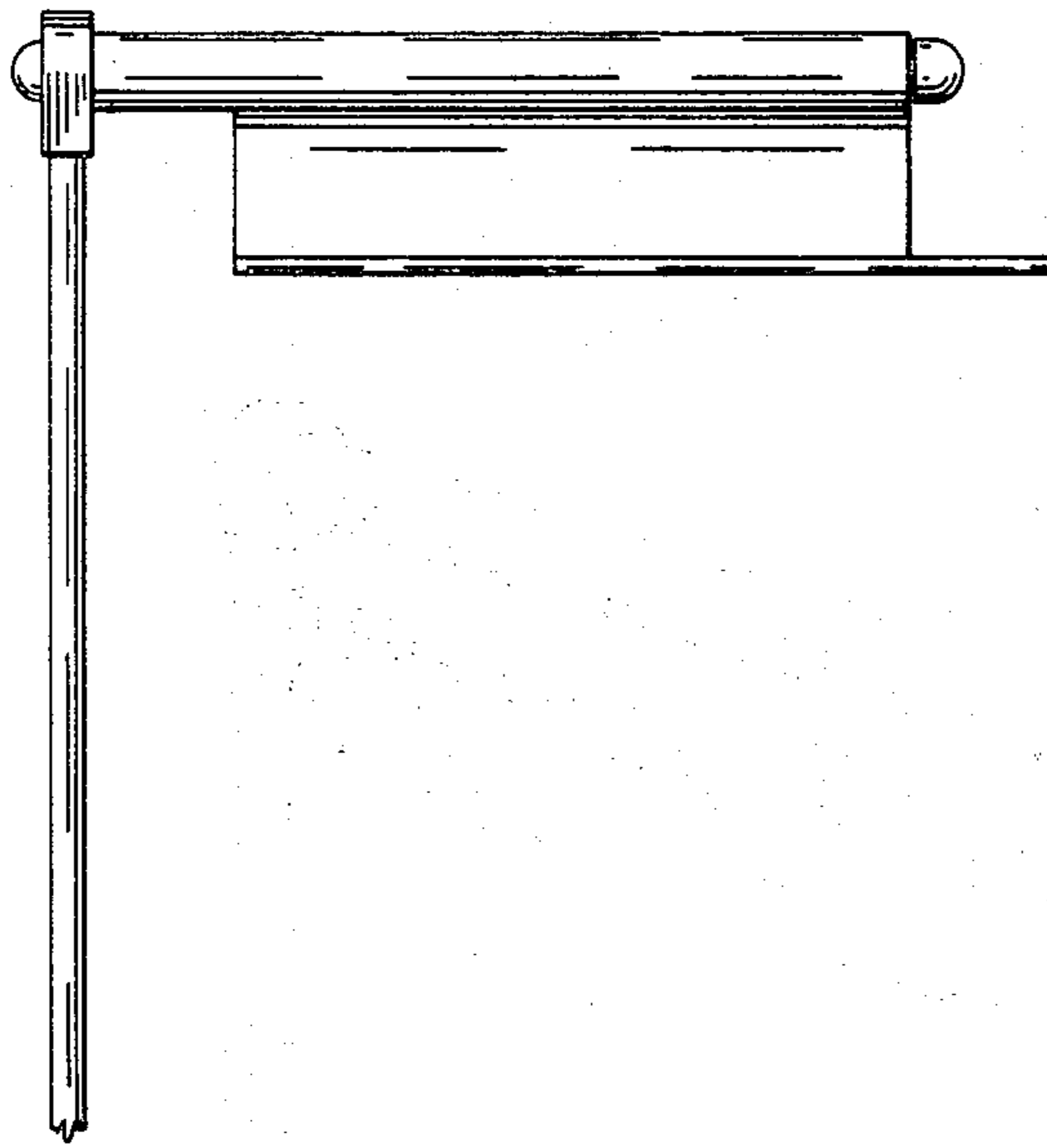


FIG. 3

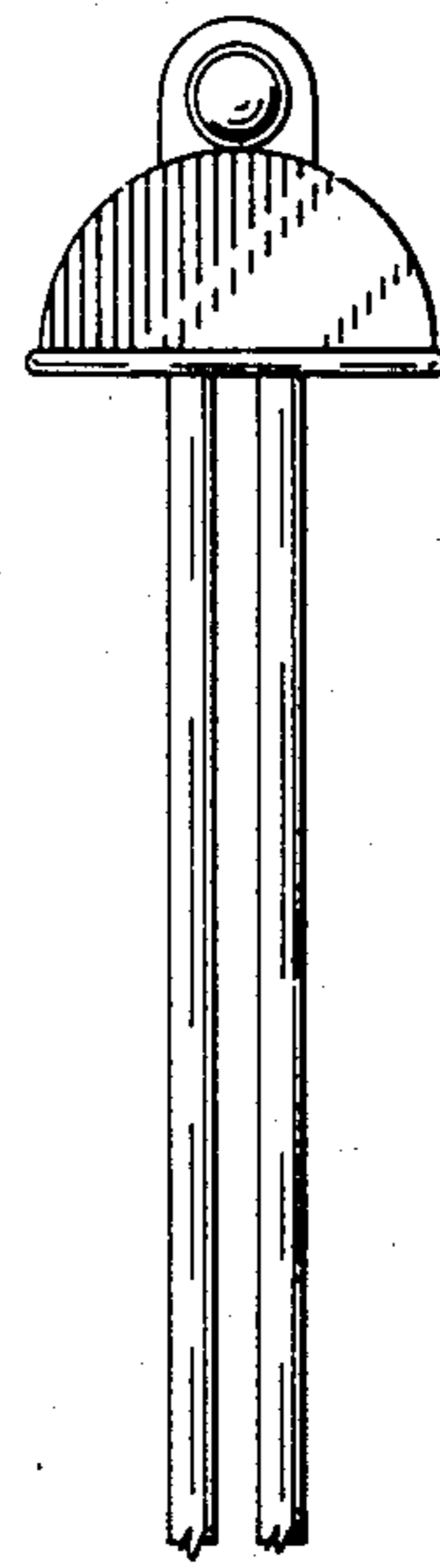


FIG. 2

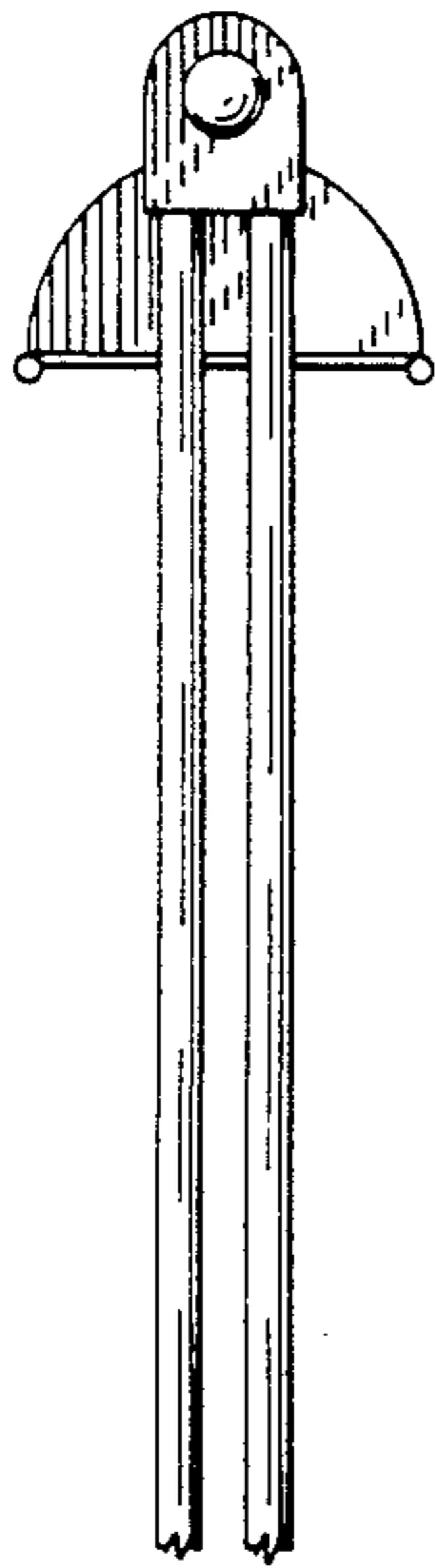


FIG. 4

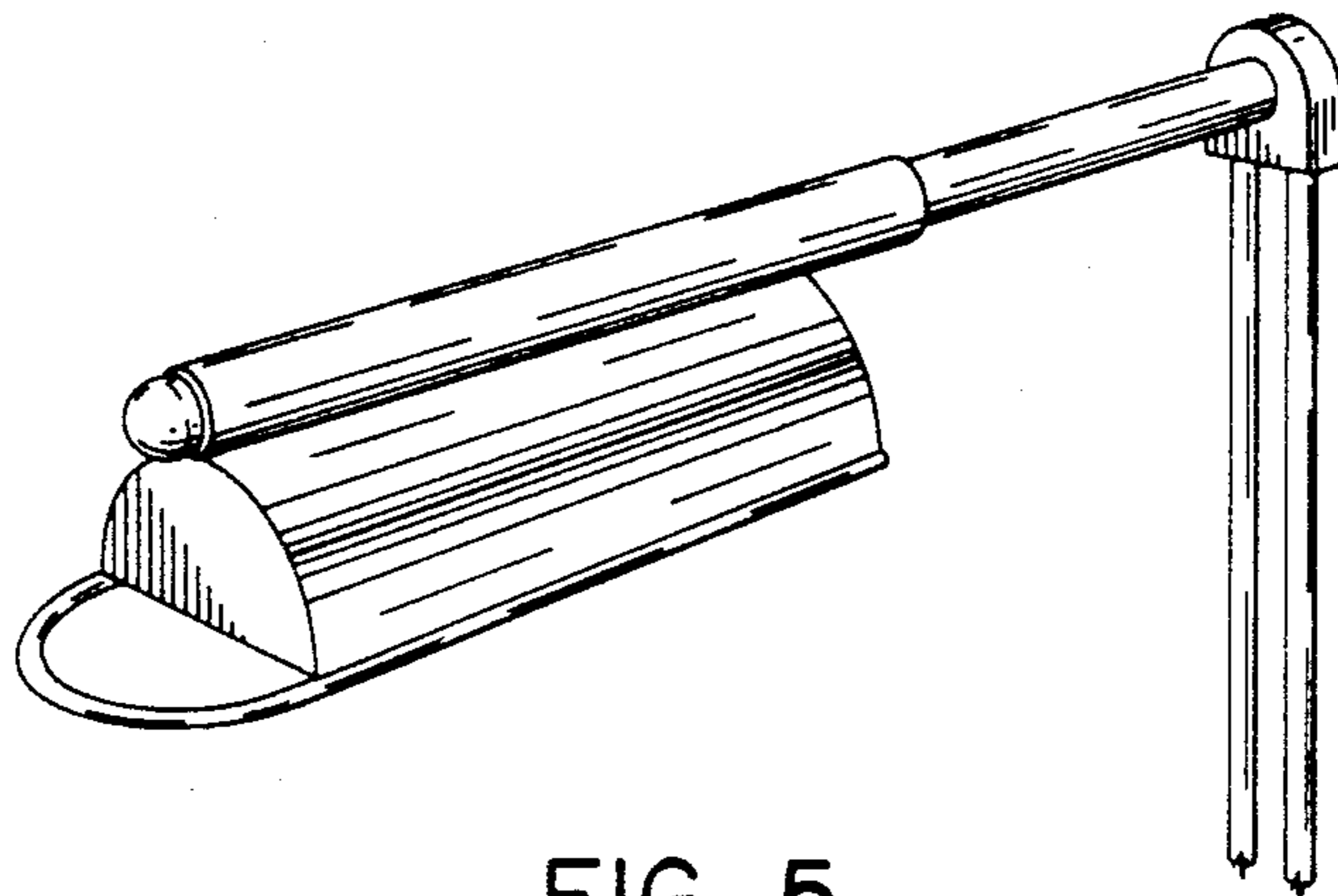


FIG. 5