

[54] EXPANSION JOINT

[75] Inventors: Raoul M. Moulinie, Lachenaie; Guy Gagne, St. Sauveur des Montes, both of Canada

[73] Assignee: Z-Tech Enterprises Inc., Boisbriand, Canada

[**] Term: 14 Years

[21] Appl. No.: 497,033

[22] Filed: May 23, 1983

[30] Foreign Application Priority Data

Dec. 10, 1982 [CA] Canada 10-12-82-15

[52] U.S. Cl. D25/73

[58] Field of Search D8/382, 349; 404/47, 404/56, 68, 69; 52/396; D25/74, 73

[56] References Cited

U.S. PATENT DOCUMENTS

Re. 21,880	8/1941	Jacobson	404/68
1,079,870	11/1913	Lloyd	16/96 R
1,604,992	11/1926	Gregg et al.	404/69
2,119,355	5/1938	Robertson	404/56
2,144,815	1/1939	Robertson	404/47
2,153,394	4/1939	Robertson	404/56
2,301,137	11/1942	Mosall	404/69
3,877,829	4/1975	Honegger	.

3,888,599	6/1975	Reifsnyder	.
3,904,302	9/1975	Bertschmann	.
3,994,609	11/1976	Puccio	.
4,030,156	6/1977	Raymond	.
4,290,713	9/1981	Brown et al.	404/69
4,423,979	1/1984	Brown	.

FOREIGN PATENT DOCUMENTS

1028183	3/1978	Canada	.
1037756	9/1978	Canada	.
1048325	2/1979	Canada	.
2136842	7/1973	Fed. Rep. of Germany	.
2609759	9/1977	Fed. Rep. of Germany	.
0475428	7/1969	Switzerland	.

Primary Examiner—B. J. Bullock

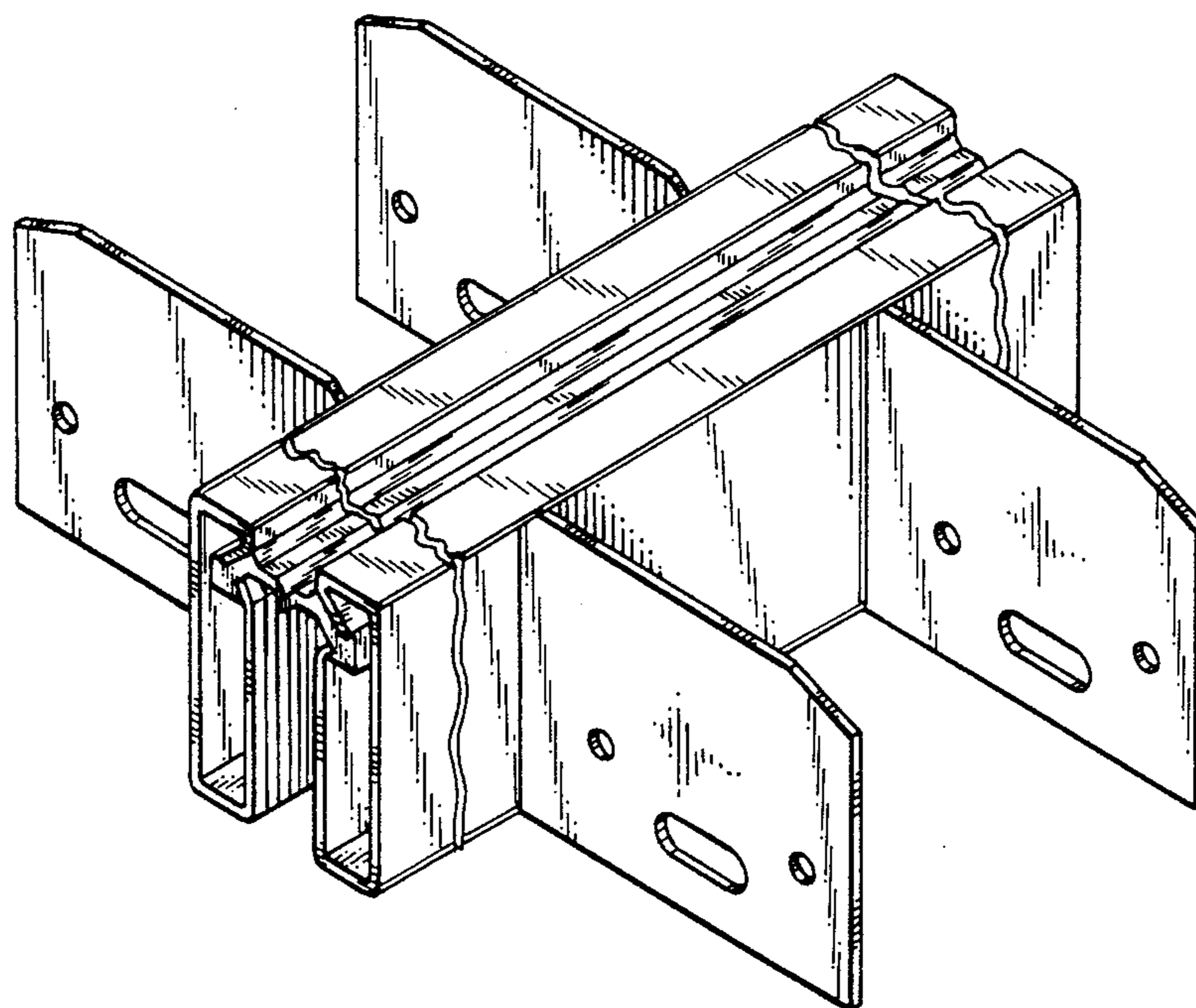
Attorney, Agent, or Firm—McFadden, Fincham & Co.

[57] CLAIM

The ornamental design for an expansion joint, as shown and described.

DESCRIPTION

FIG. 1 is a perspective view of an expansion joint showing our new design;
 FIG. 2 is a right side elevational view thereof;
 FIG. 3 is a left side elevational view thereof;
 FIG. 4 is a perspective view of a second embodiment of the design of FIG. 1;
 FIG. 5 is a side elevational view of FIG. 4.



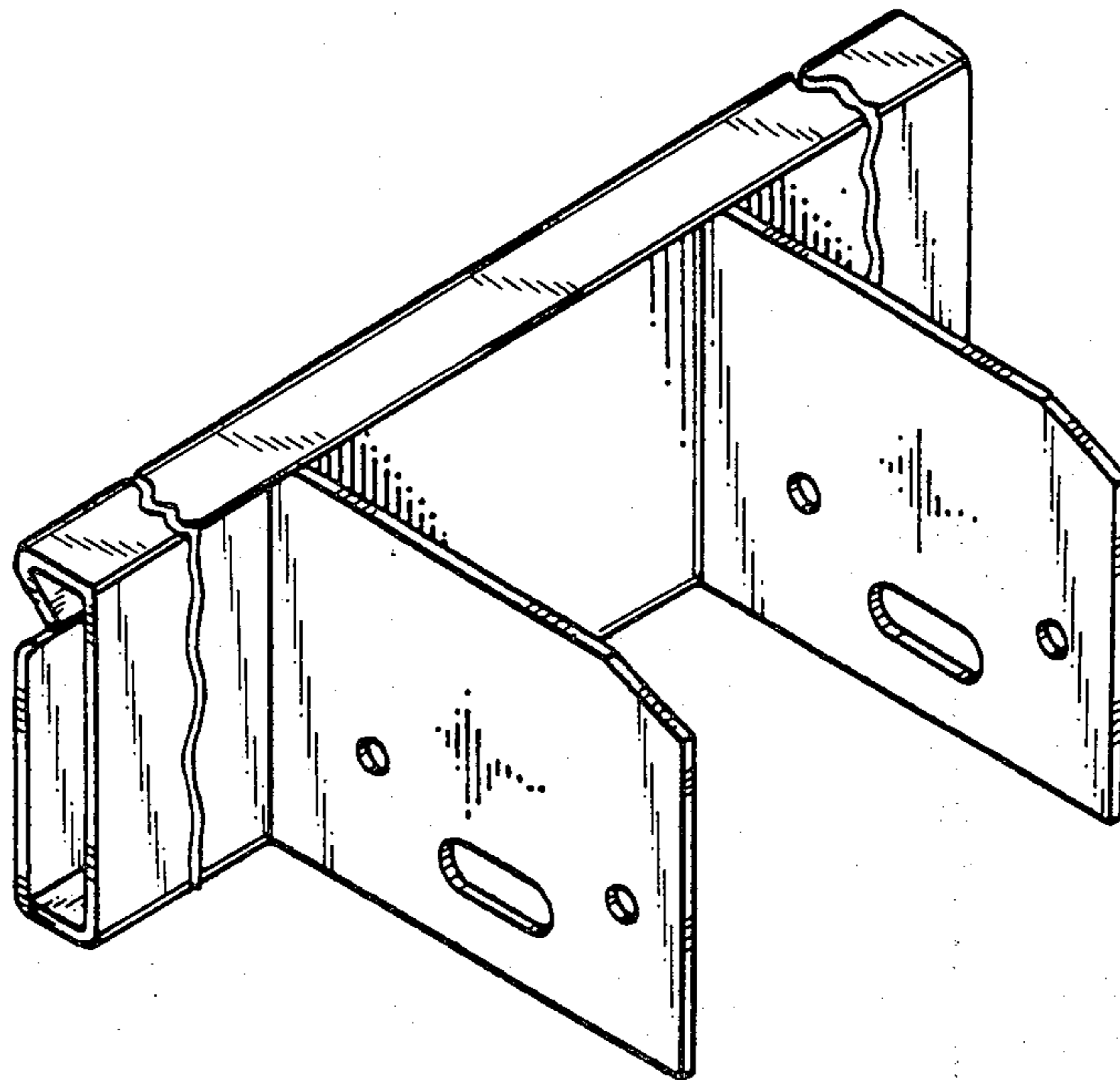


FIG. 1

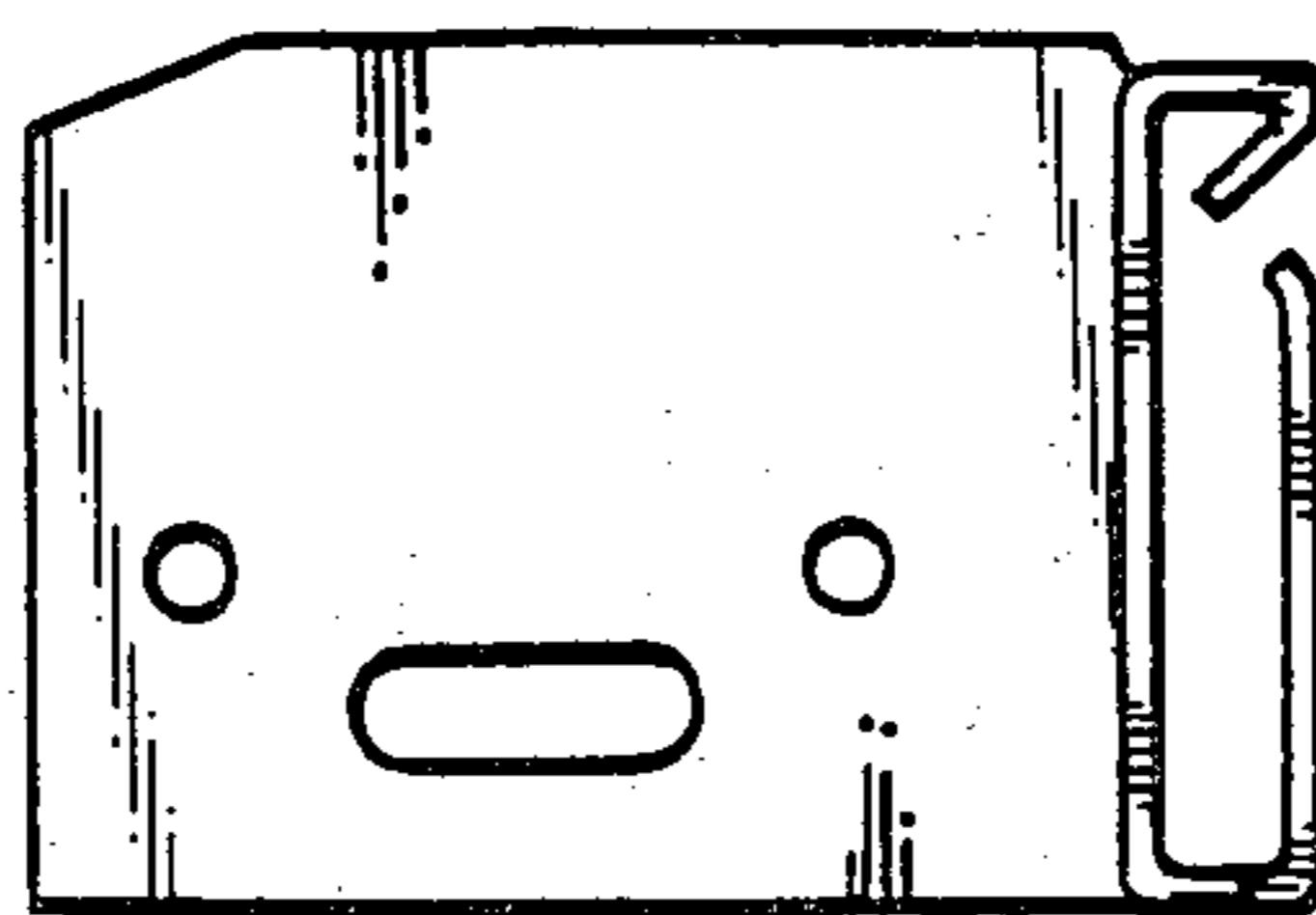


FIG. 2

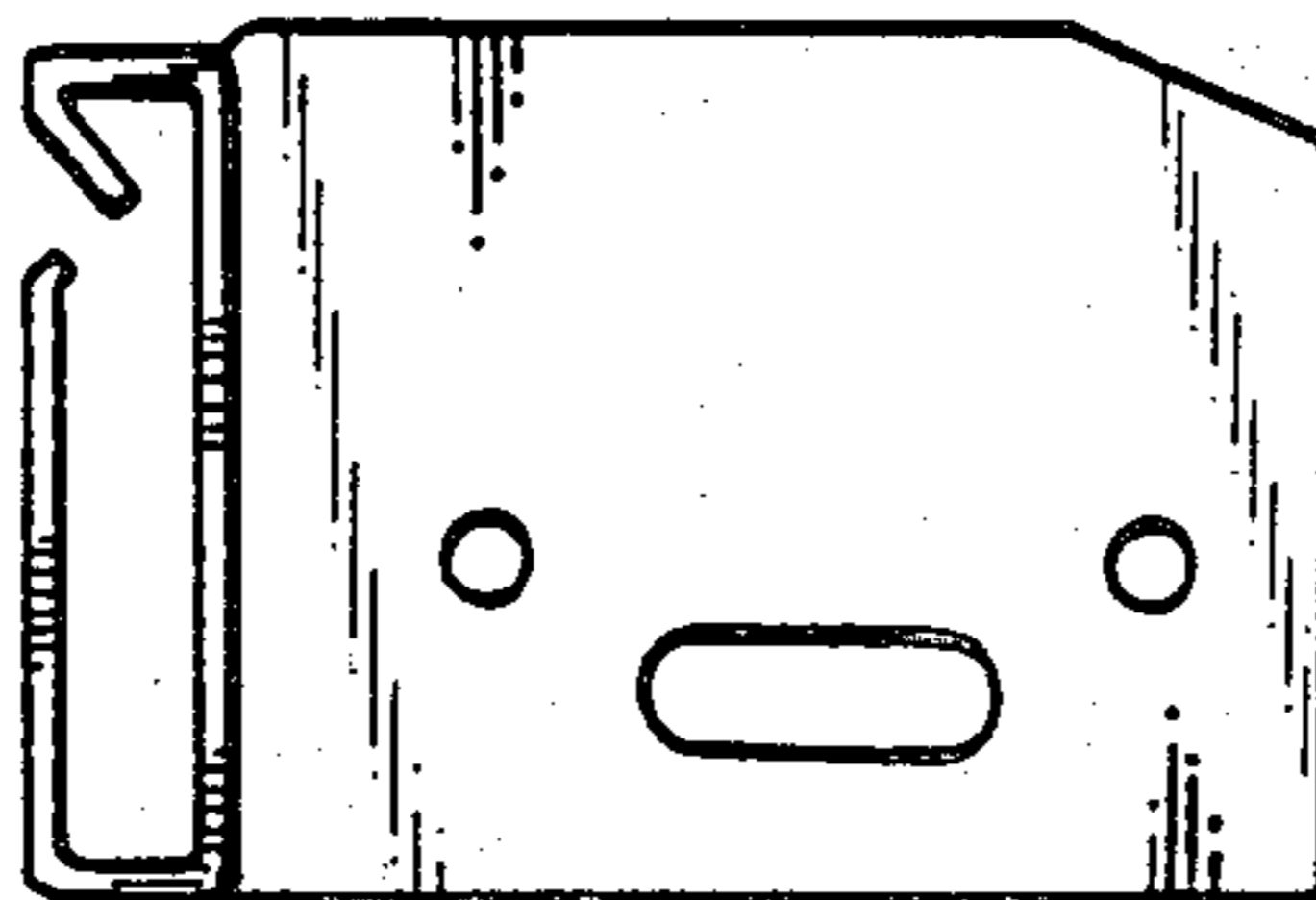


FIG. 3

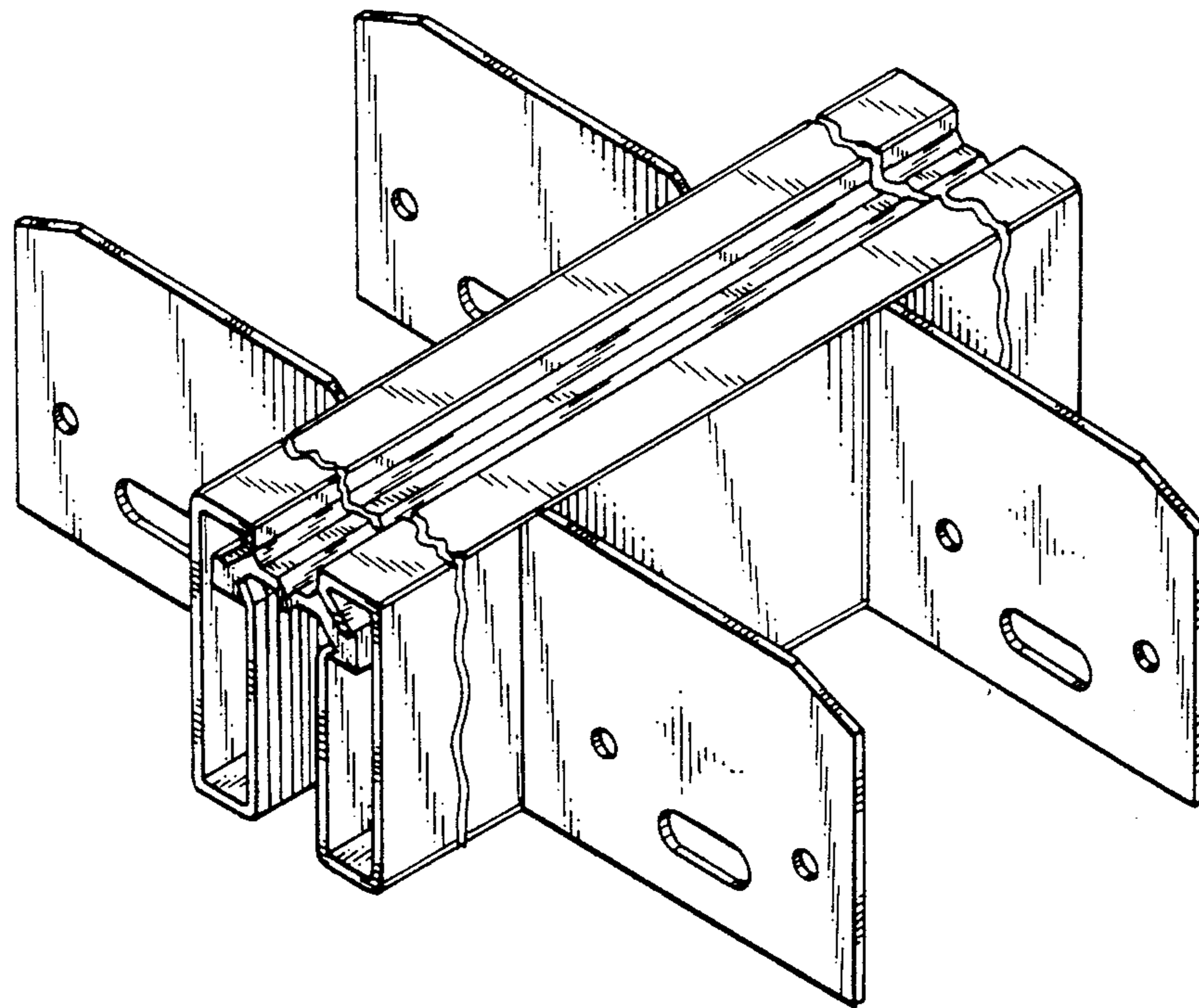


FIG. 4

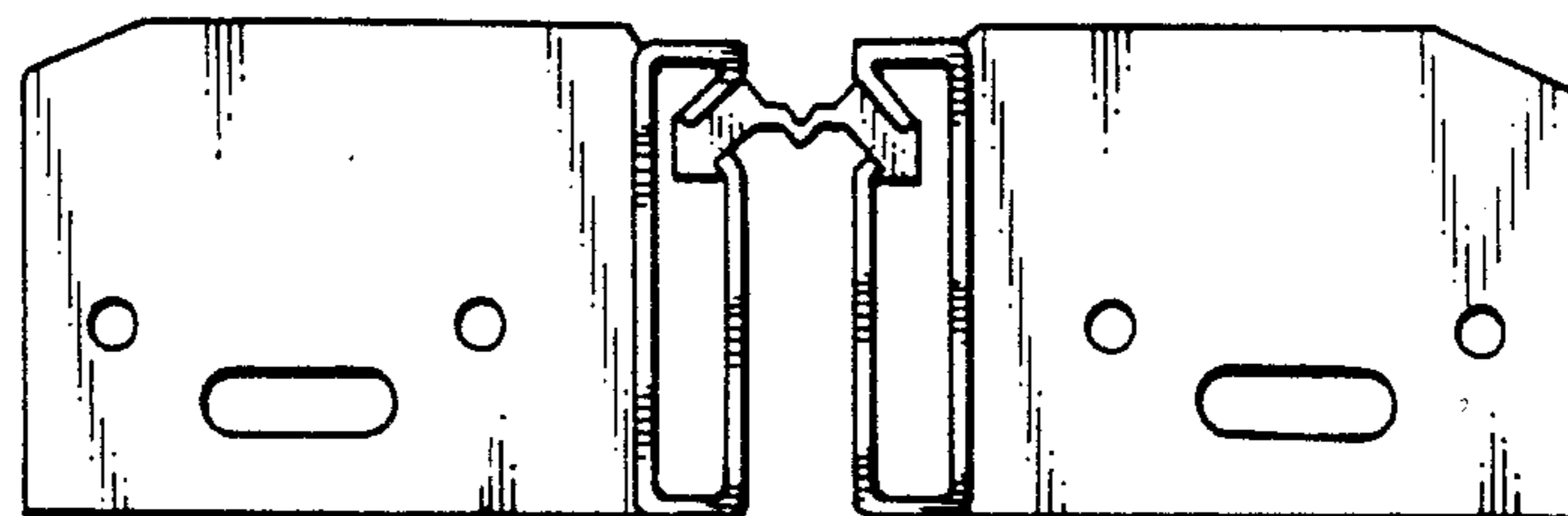


FIG. 5