

[54] MEASURING AND CHECKING CONSOLE PARTICULARLY ADAPTED FOR HEART TESTS

[76] Inventors: **Hervé Denis** 16 rue de Condé 75006 Paris; **Jacqueline Becquet**, 55 Septième Ave., 60260 Lamorlay, both of France

[\*\*] Term: 14 Years

[21] Appl. No.: 425,911

[22] Filed: Sep. 28, 1982

[30] Foreign Application Priority Data

Aug. 16, 1982 [XH] Hague ..... DM 001730

[52] U.S. Cl. .... D24/21; D6/420

[58] Field of Search ..... D24/21, 1.1, 8, 17; D14/102; 128/689, 688, 687, 681, 680, 706, 710, 712; D6/419, 420

[56] References Cited

U.S. PATENT DOCUMENTS

- D. 211,579 7/1968 Cordes, Jr. .... D14/102
- D. 211,799 7/1968 Miller ..... D6/420
- D. 216,848 3/1970 Carsello ..... D24/21
- D. 250,896 1/1979 Huber et al. .... D24/21
- D. 267,039 11/1982 Kok ..... D24/1.1

Primary Examiner—James M. Gandy  
Attorney, Agent, or Firm—Kenyon & Kenyon

[57] CLAIM

The ornamental design for a measuring and checking console particularly adapted for heart tests, as shown and described.

DESCRIPTION

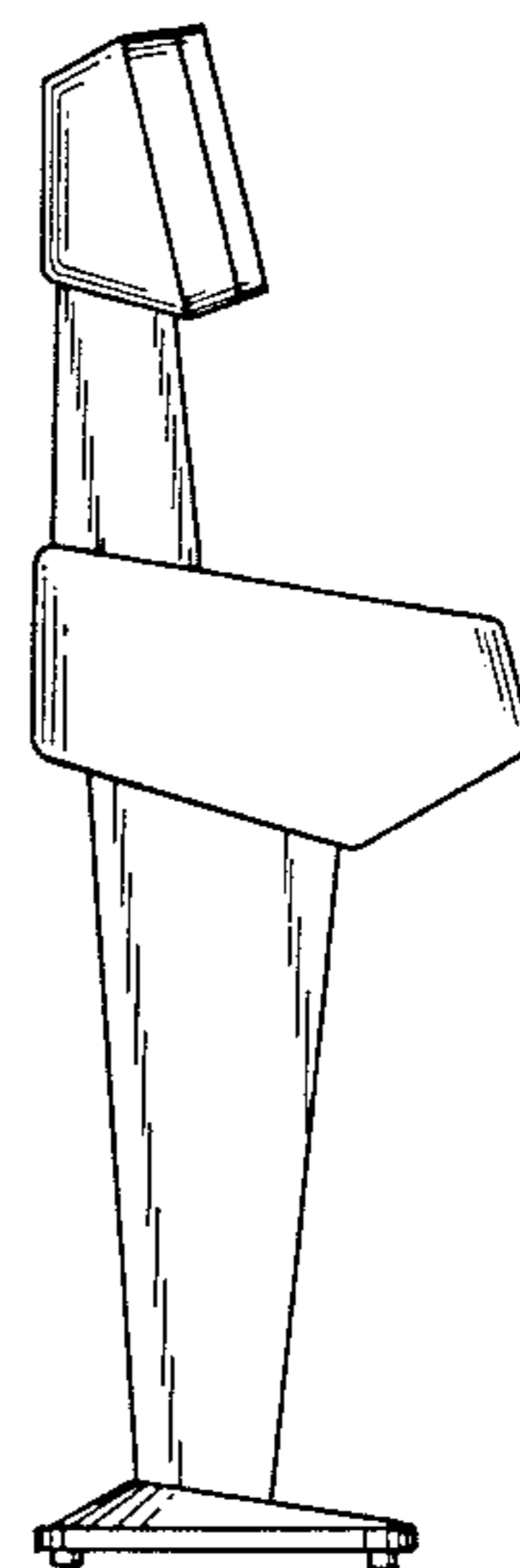
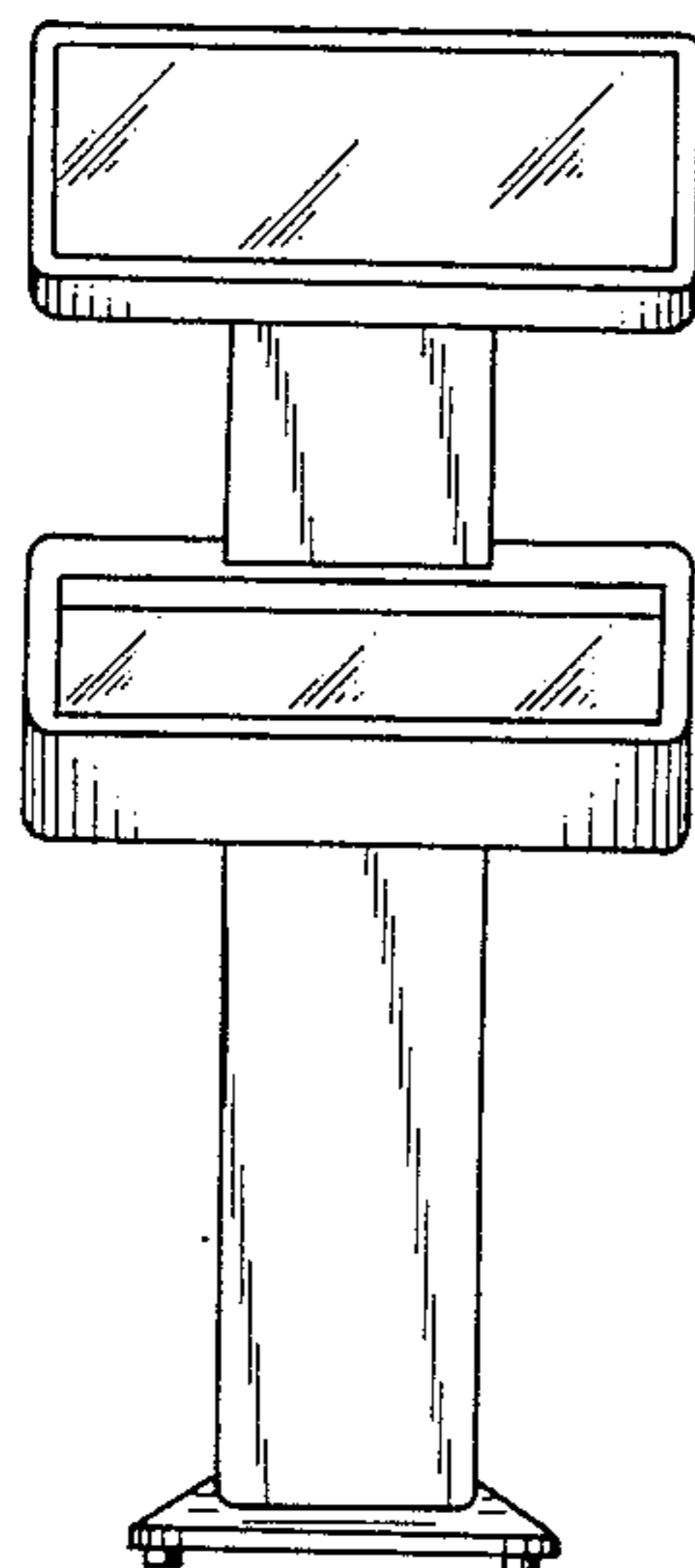
FIG. 1 is a front elevation view of a measuring and checking console particularly adapted for heart tests showing our new design;

FIG. 2 is a bottom plan view thereof;

FIG. 3 is a left side elevation view thereof;

FIG. 4 is a right side elevation view thereof; and

FIG. 5 is a top plan view thereof.



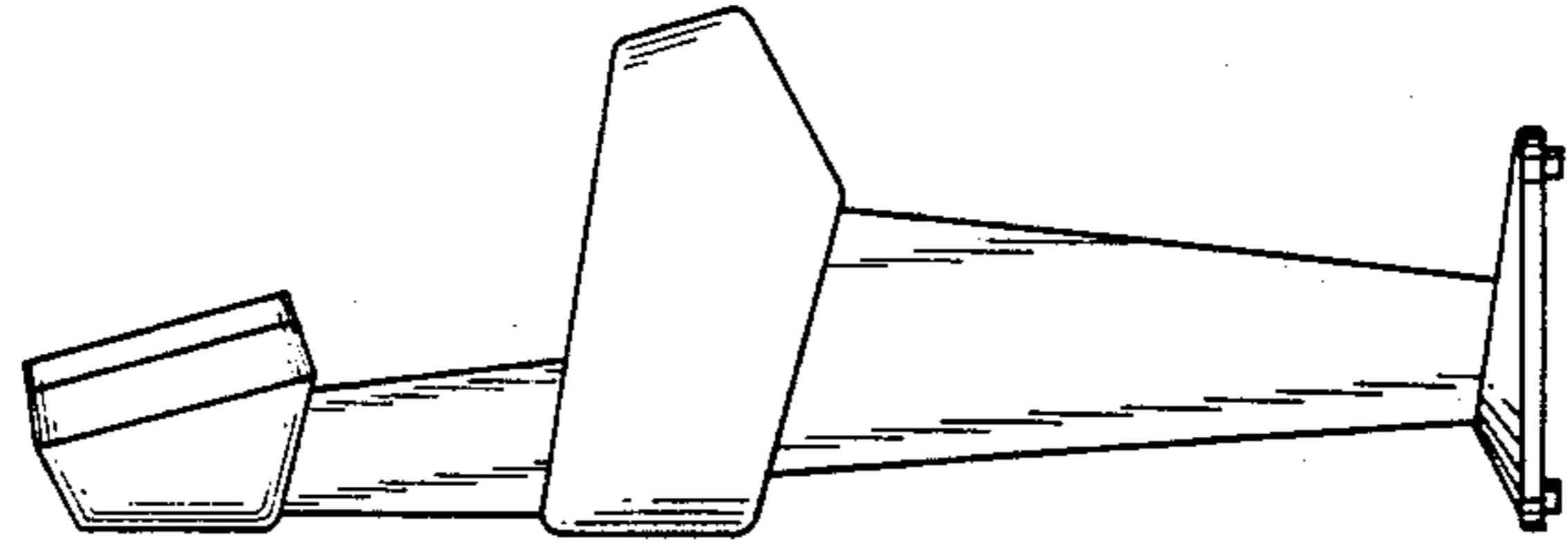


FIG. 3

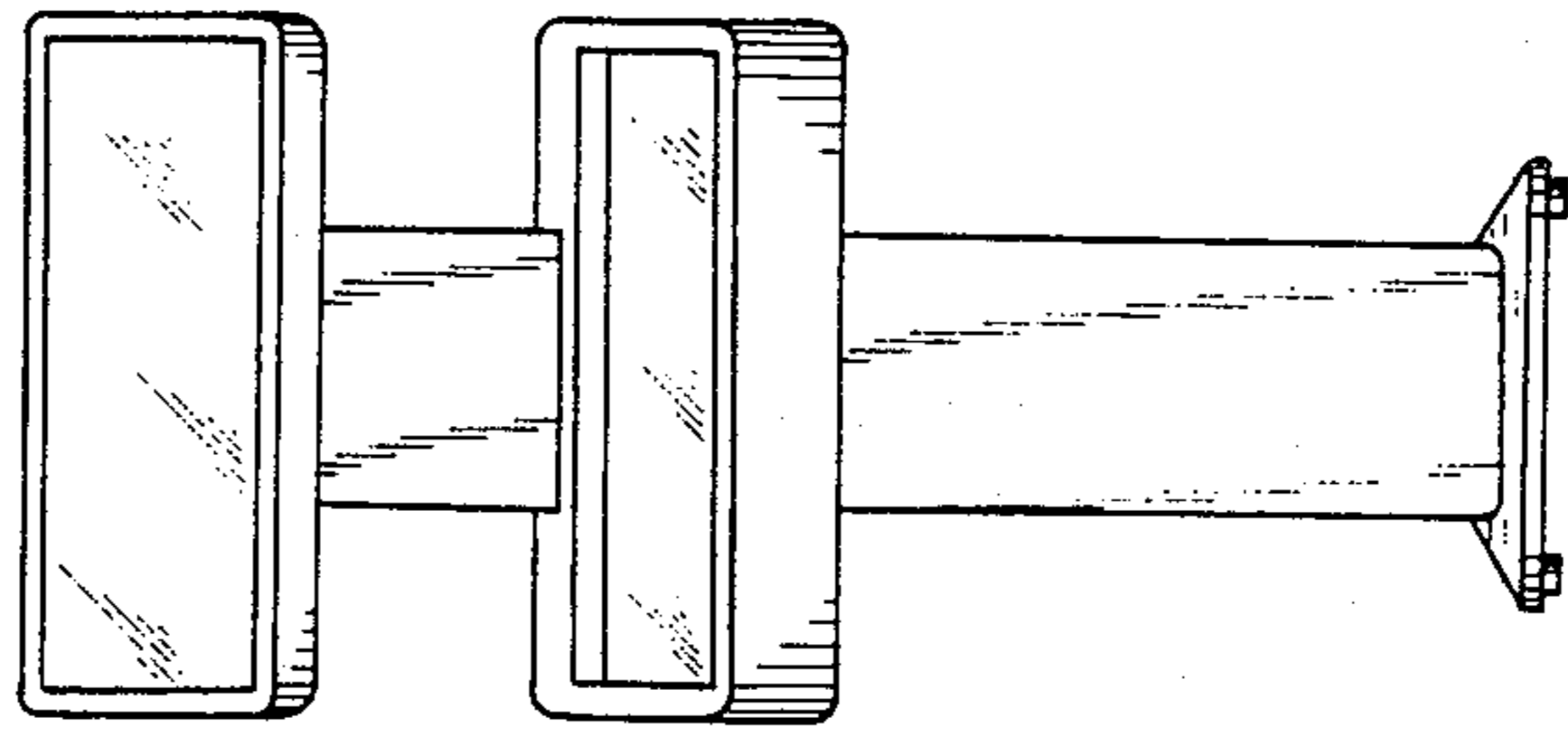


FIG. 1

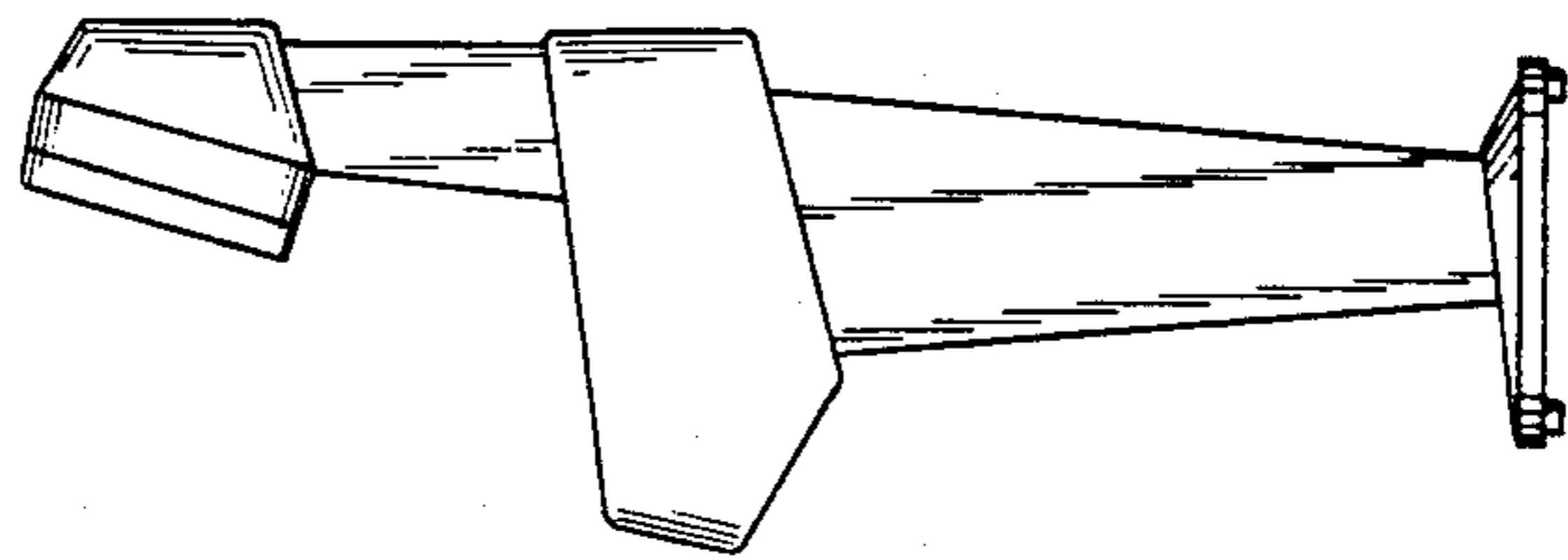


FIG. 4

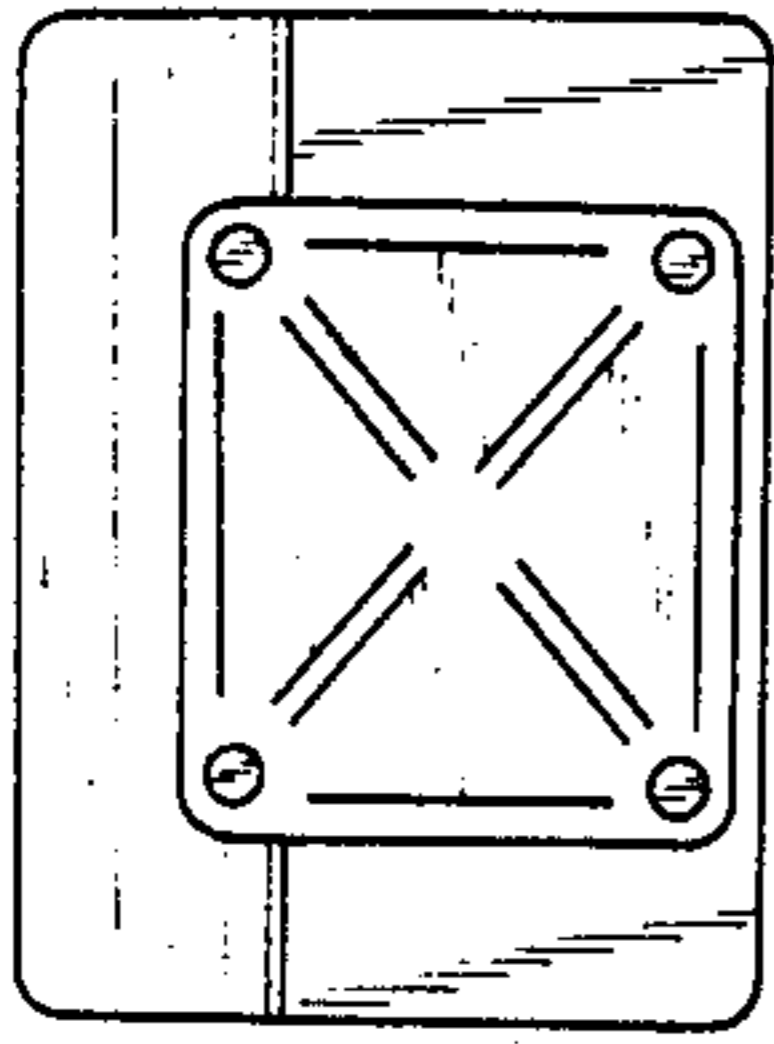


FIG. 2

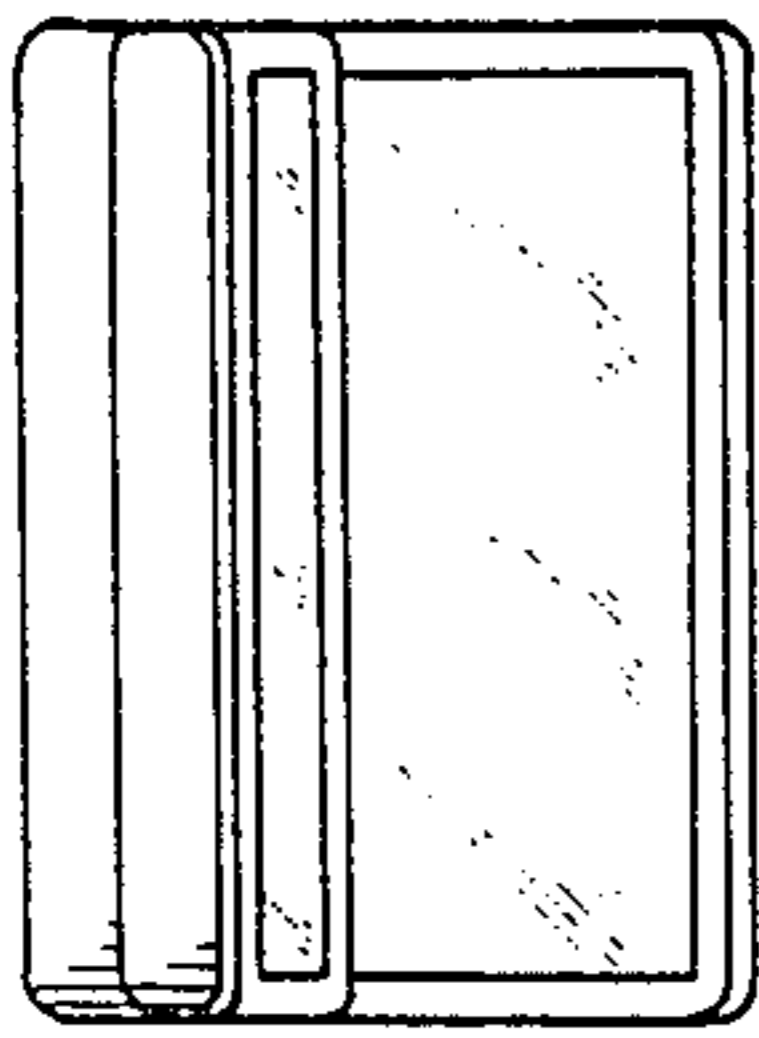


FIG. 5