

[54] SINK FAUCET

[75] Inventor: Holly K. Yost, Van Nuys, Calif.

[73] Assignee: Price Pfister, Inc., Pacoima, Calif.

[\*\*] Term: 14 Years

[21] Appl. No.: 757,731

[22] Filed: Jul. 22, 1985

3,461,901	8/1969	Bucknell et al. ....	137/801	V
4,290,445	9/1981	Turner .....	137/801	X
4,484,600	11/1984	Peterson et al. ....	137/801	X

OTHER PUBLICATIONS

Domestic Engineering, Aug. 1979, p. 69, top right Faucet.

Domestic Engineering, Sep. 1981, p. 63, center right Faucet.

Primary Examiner—James R. Largen

Attorney, Agent, or Firm—Blakely, Sokoloff, Taylor & Zafman

Related U.S. Application Data

[62] Division of Ser. No. 507,524, Jun. 24, 1983.

[52] U.S. Cl. .... D23/25

[58] Field of Search ..... D23/23-32; 137/801

[57] CLAIM

The ornamental design for a sink faucet, substantially as shown.

[56] References Cited

U.S. PATENT DOCUMENTS

D. 106,319	10/1937	Morgan .....	D23/26
D. 165,987	2/1952	Krafft .....	D23/26
D. 189,081	10/1960	Hauser .....	D23/25
D. 219,739	1/1971	Niemann .....	D23/23
D. 227,465	6/1973	Genaro et al. ....	D23/23
D. 253,799	1/1980	Saporito et al. ....	D23/25
D. 258,519	3/1981	Thevenot .....	D23/25

DESCRIPTION

FIG. 1 is a perspective view of a sink faucet showing my new design;

FIG. 2 is a top plan view thereof;

FIG. 3 is a front elevational view thereof;

FIG. 4 is a right side elevational view thereof;

FIG. 5 is a left side elevational view thereof; and

FIG. 6 is a rear elevational view thereof.

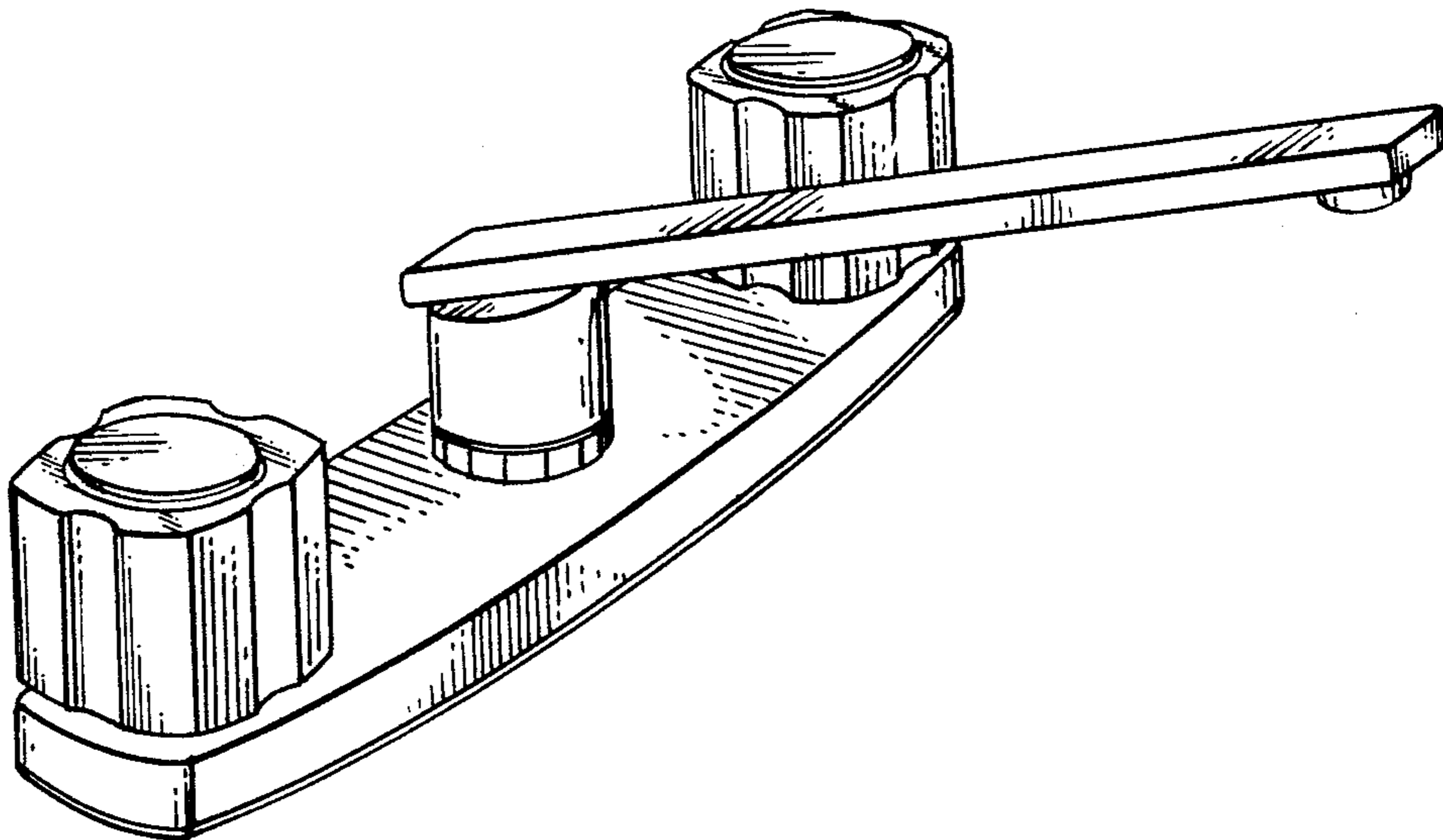


FIG. 1.

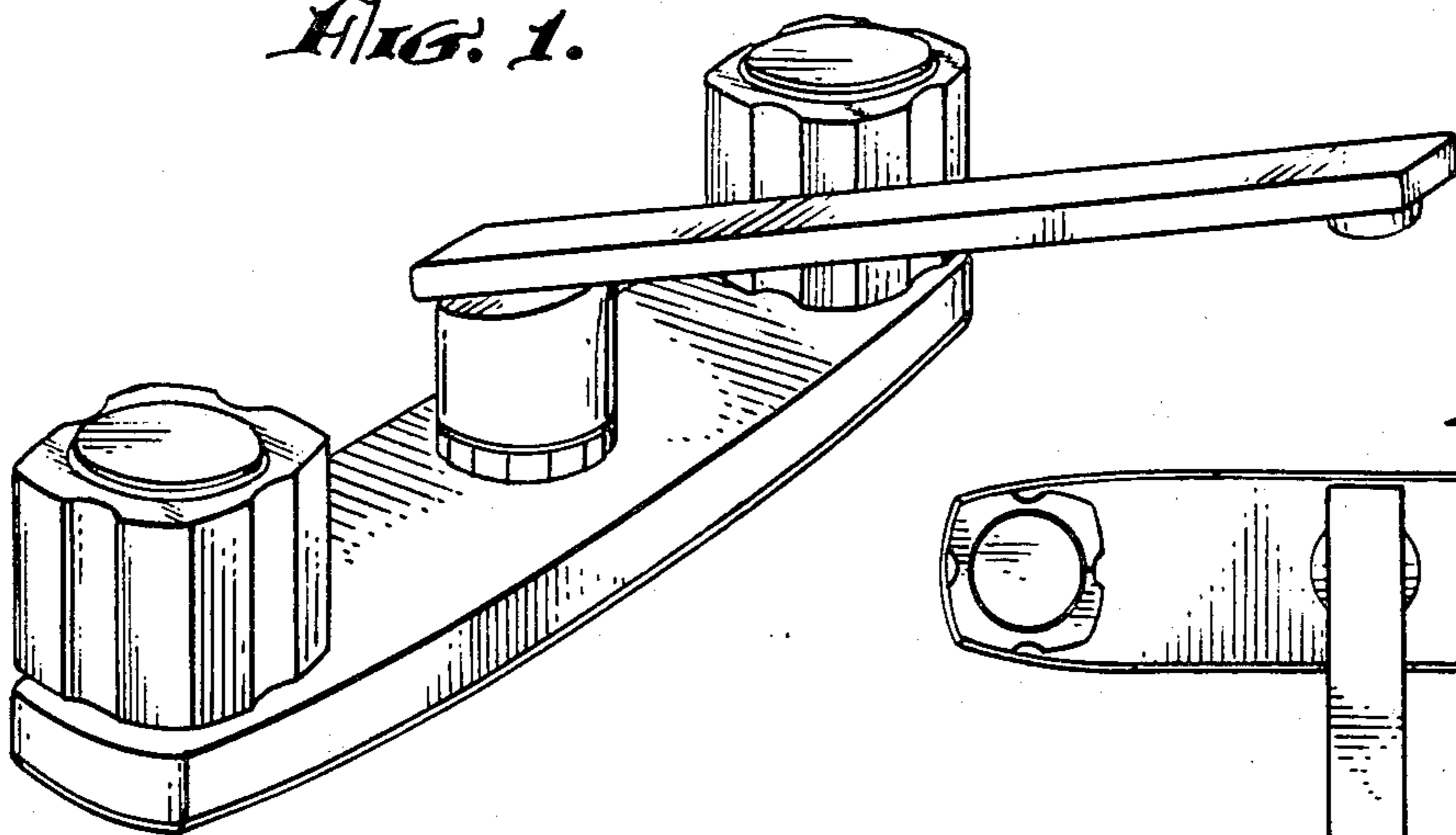


FIG. 2.

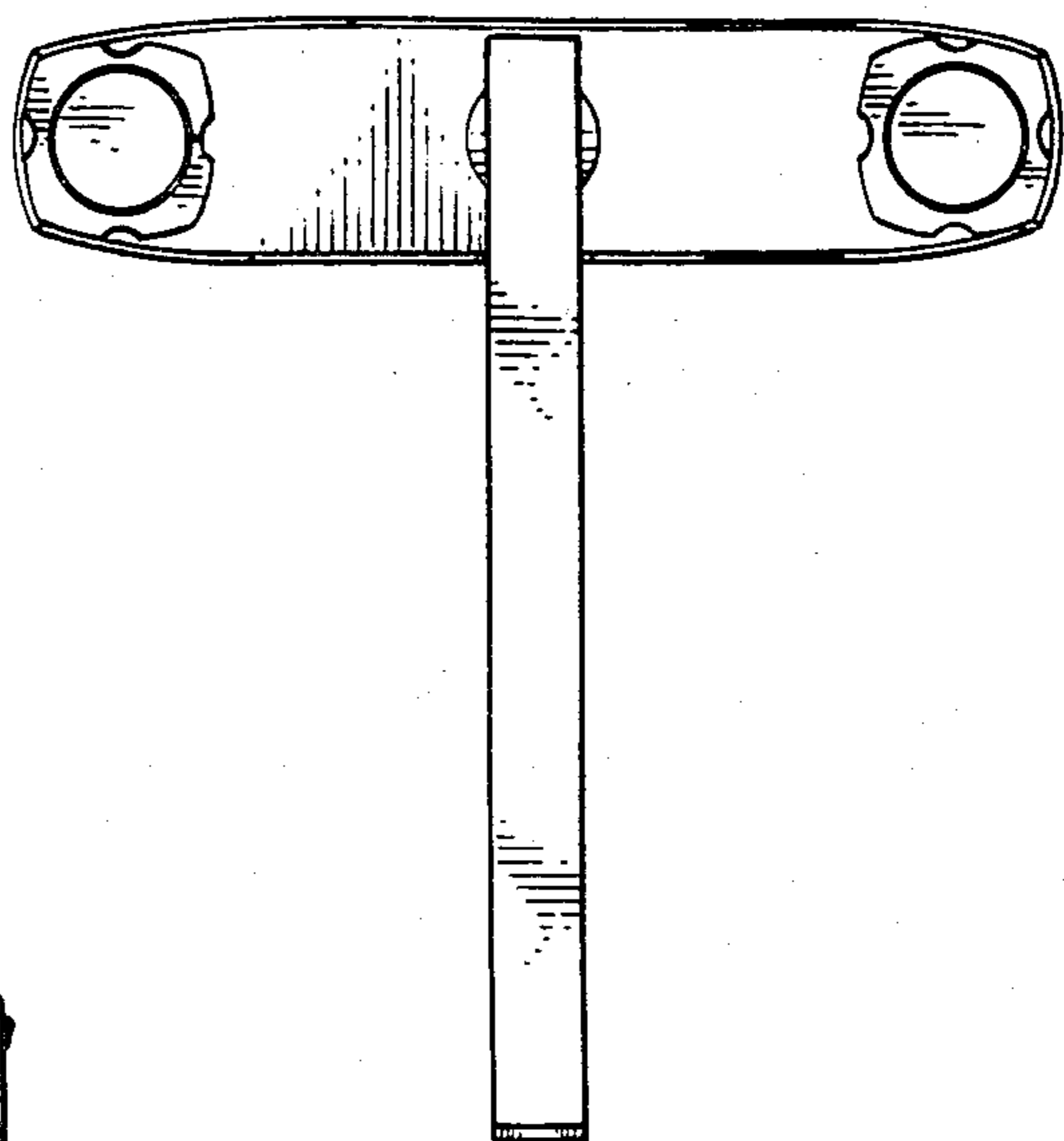


FIG. 4.

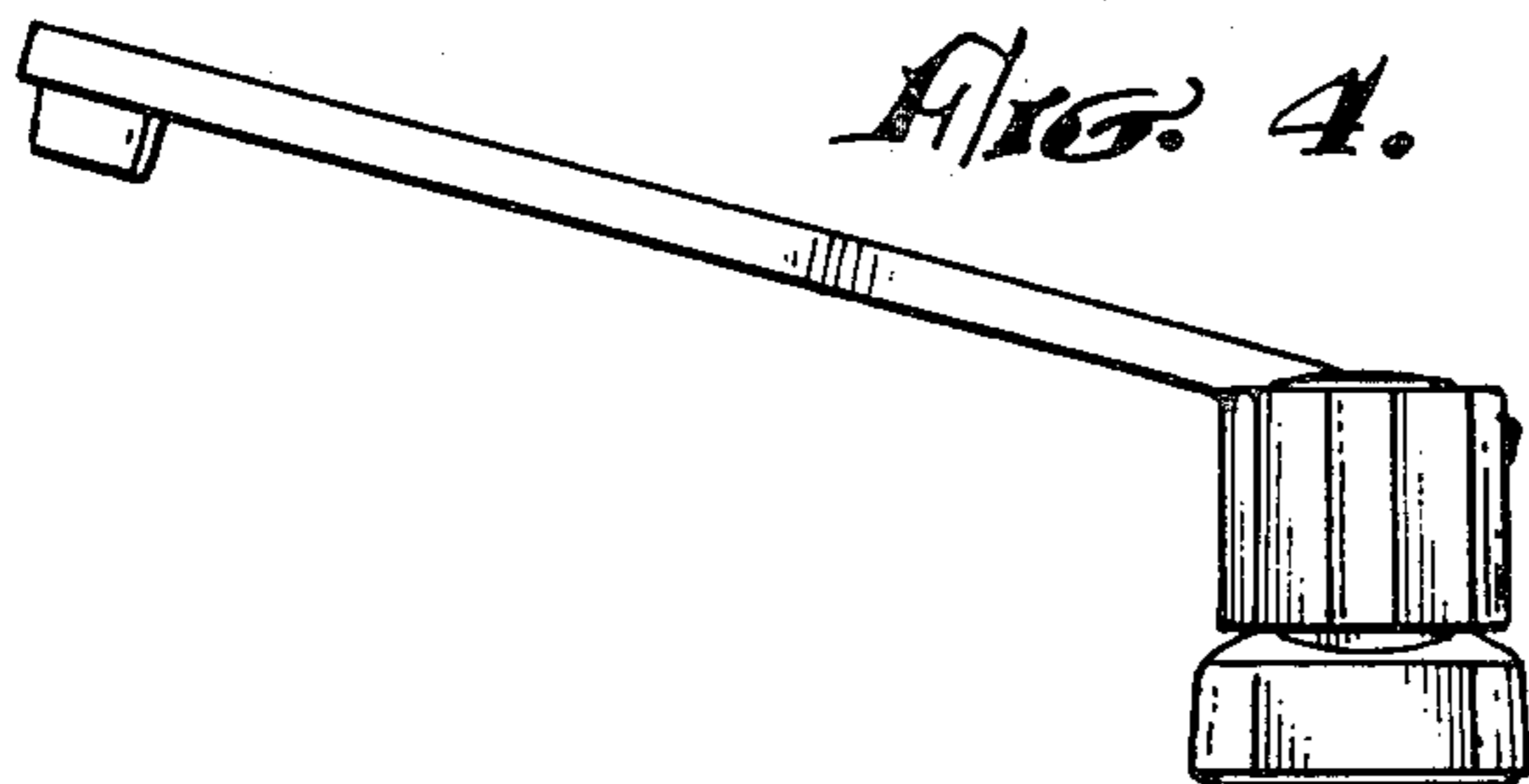


FIG. 3.

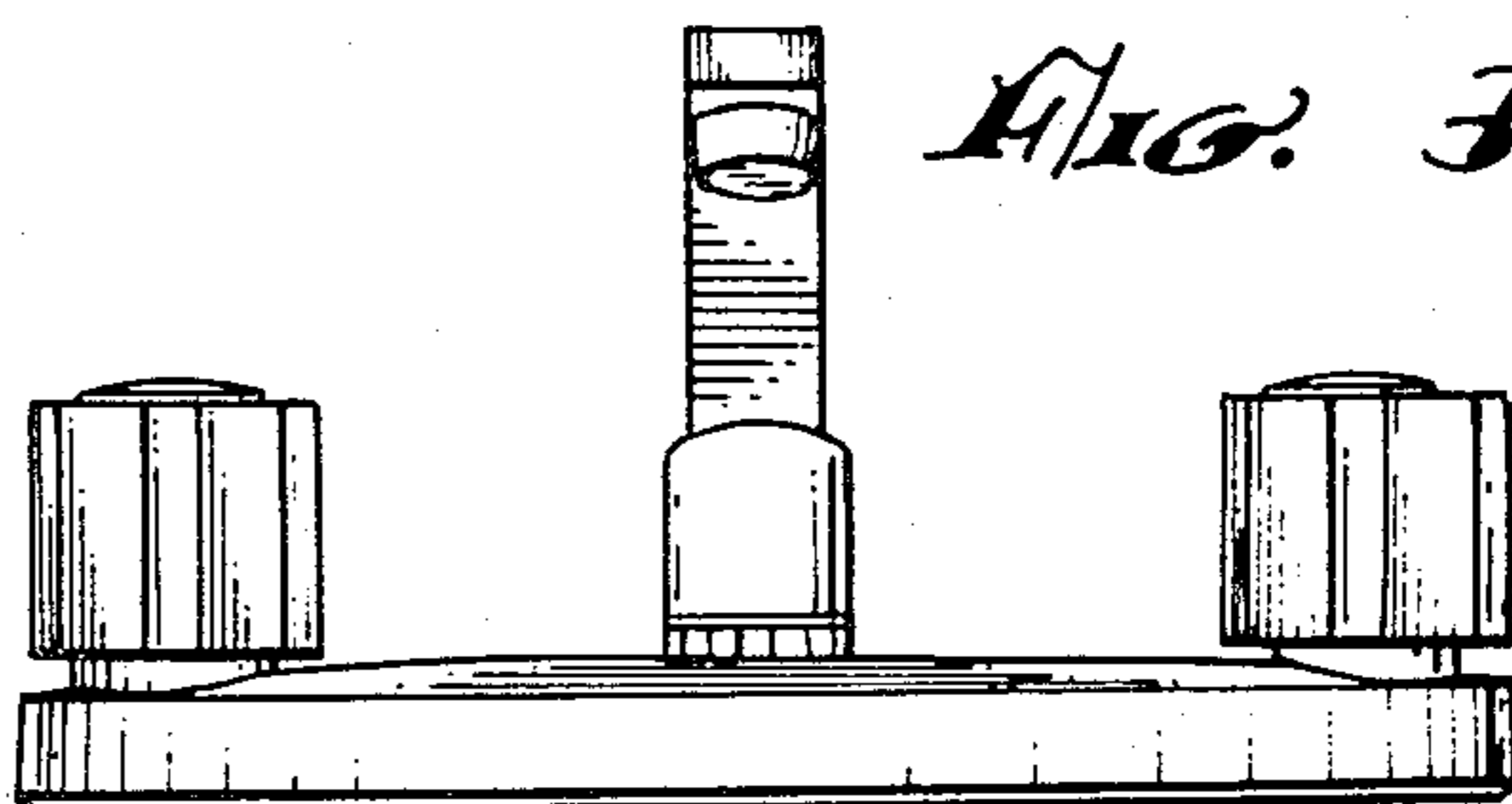


FIG. 5.

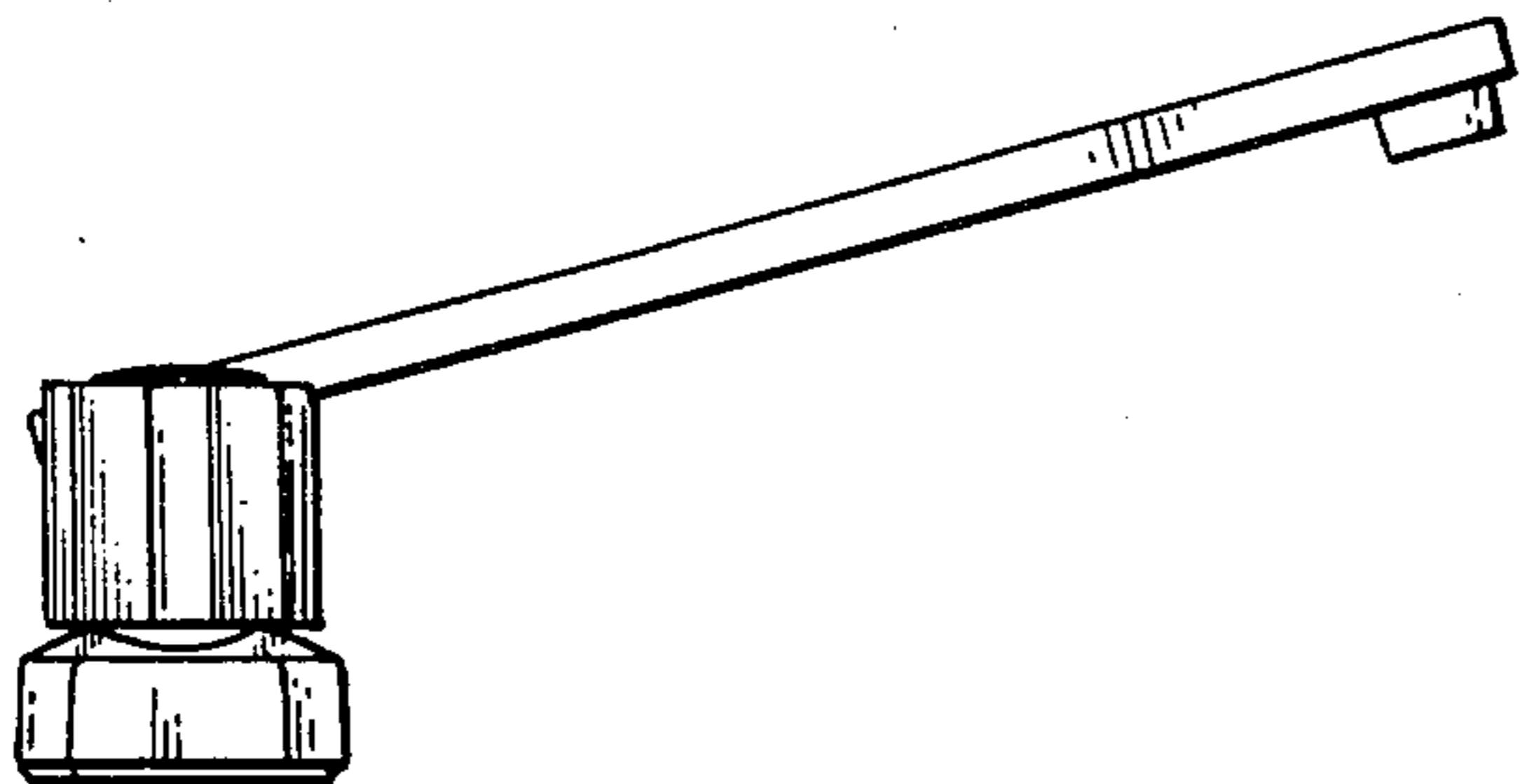


FIG. 6.

