

[54] MIXING VALVE FOR SHOWERS OR THE LIKE

[75] Inventor: Kenneth A. Ogilvie, Naunton, England

[73] Assignee: Walker Croweller & Company Limited, England

[**] Term: 14 Years

[21] Appl. No.: 721,923

[22] Filed: Apr. 11, 1985

[30] Foreign Application Priority Data

Dec. 4, 1984 [GB] United Kingdom 1023714

[52] U.S. Cl. D23/19

[58] Field of Search D23/19-32, D23/38, 39; 16/110, 121

[56] References Cited

U.S. PATENT DOCUMENTS

D. 50,631	4/1917	Reid, Jr.	D23/39
D. 86,452	3/1932	Grandahl	D23/39
D. 152,809	2/1949	MacCauley	D23/21
D. 180,254	5/1957	Tiller	D23/38
D. 193,756	10/1962	Parker	D23/31
D. 194,229	12/1962	Landell et al.	D23/31
D. 203,795	2/1966	Harvey et al.	D23/31
D. 209,805	1/1968	Barker	D23/38
D. 213,779	4/1969	DuBois	D23/31

D. 241,440	9/1976	Doman	D23/31
D. 263,989	4/1982	Fleischmann et al.	D23/31

OTHER PUBLICATIONS

Domestic Engineering, Feb. 1961, p. 31.
Domestic Engineering, Jan. 1964, p. 119, top left item.
Domestic Engineering, Dec. 1964, p. 89, top left item.
Domestic Engineering, Nov. 1967, p. 29, top left item.

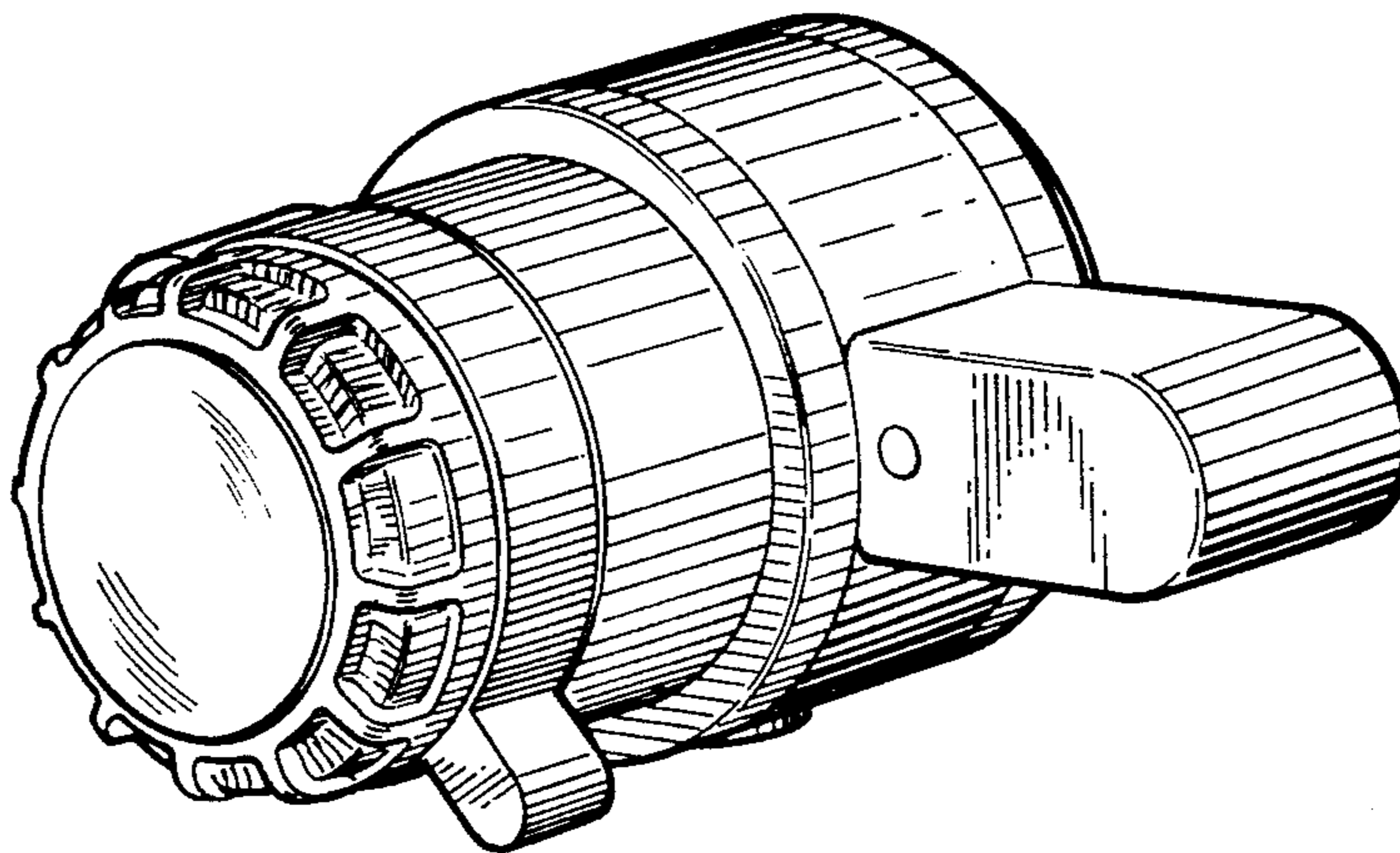
Primary Examiner—James R. Largen
Attorney, Agent, or Firm—Larson and Taylor

[57] CLAIM

The ornamental design for a mixing valve for showers or the like, as shown.

DESCRIPTION

FIG. 1 is a front elevational view of a mixing valve for showers or the like showing my new design;
FIG. 2 is a top plan view thereof;
FIG. 3 is a rear elevational view thereof;
FIG. 4 is a right side elevational view thereof, the left side being a mirror image of the right side shown;
FIG. 5 is a bottom plan view thereof;
FIG. 6 is a perspective view taken from the top, front and right side thereof; and
FIG. 7 is a perspective view taken from the top, rear and left side thereof;
FIG. 8 is a perspective view of the rear of the valve as seen from above.



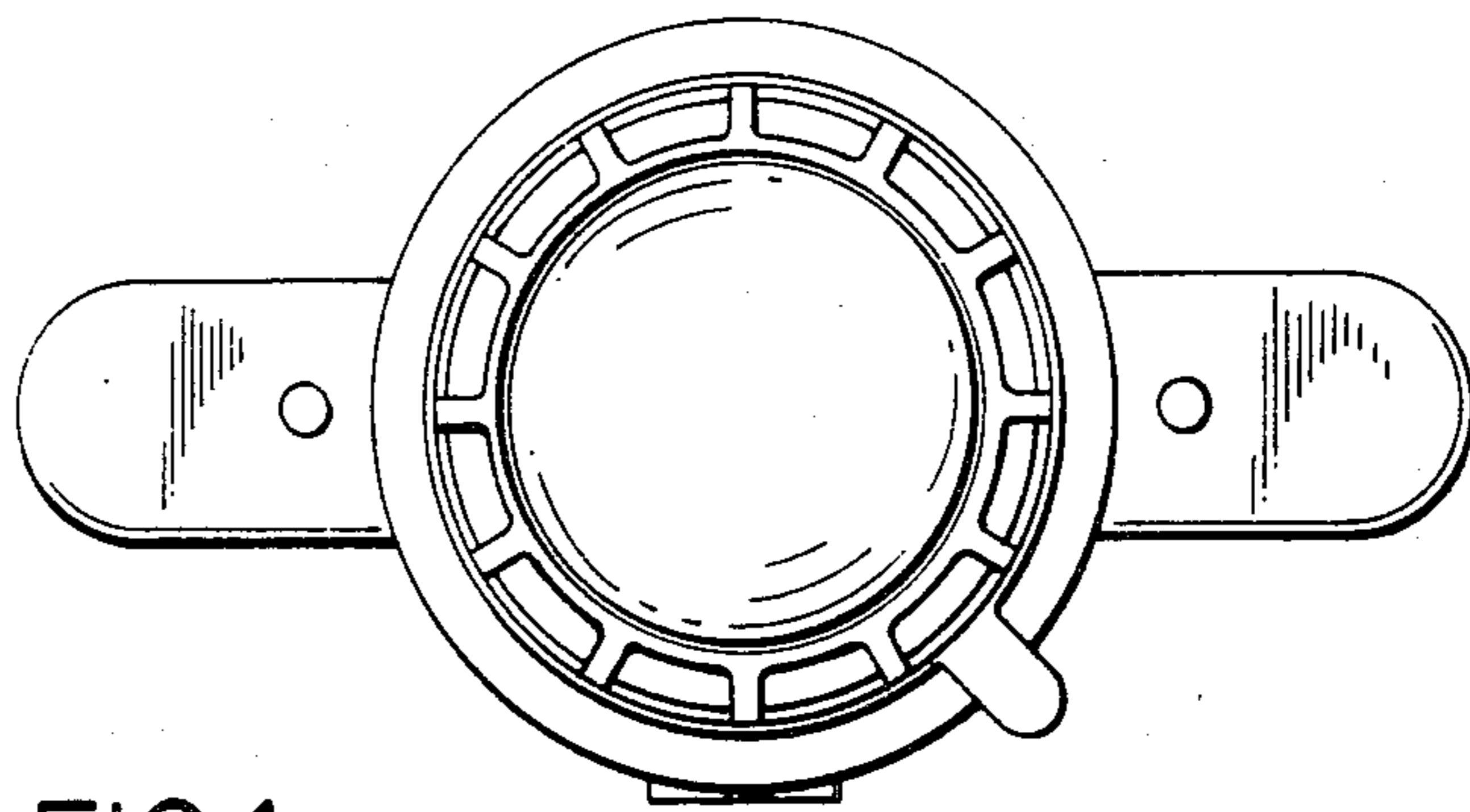


FIG. 1

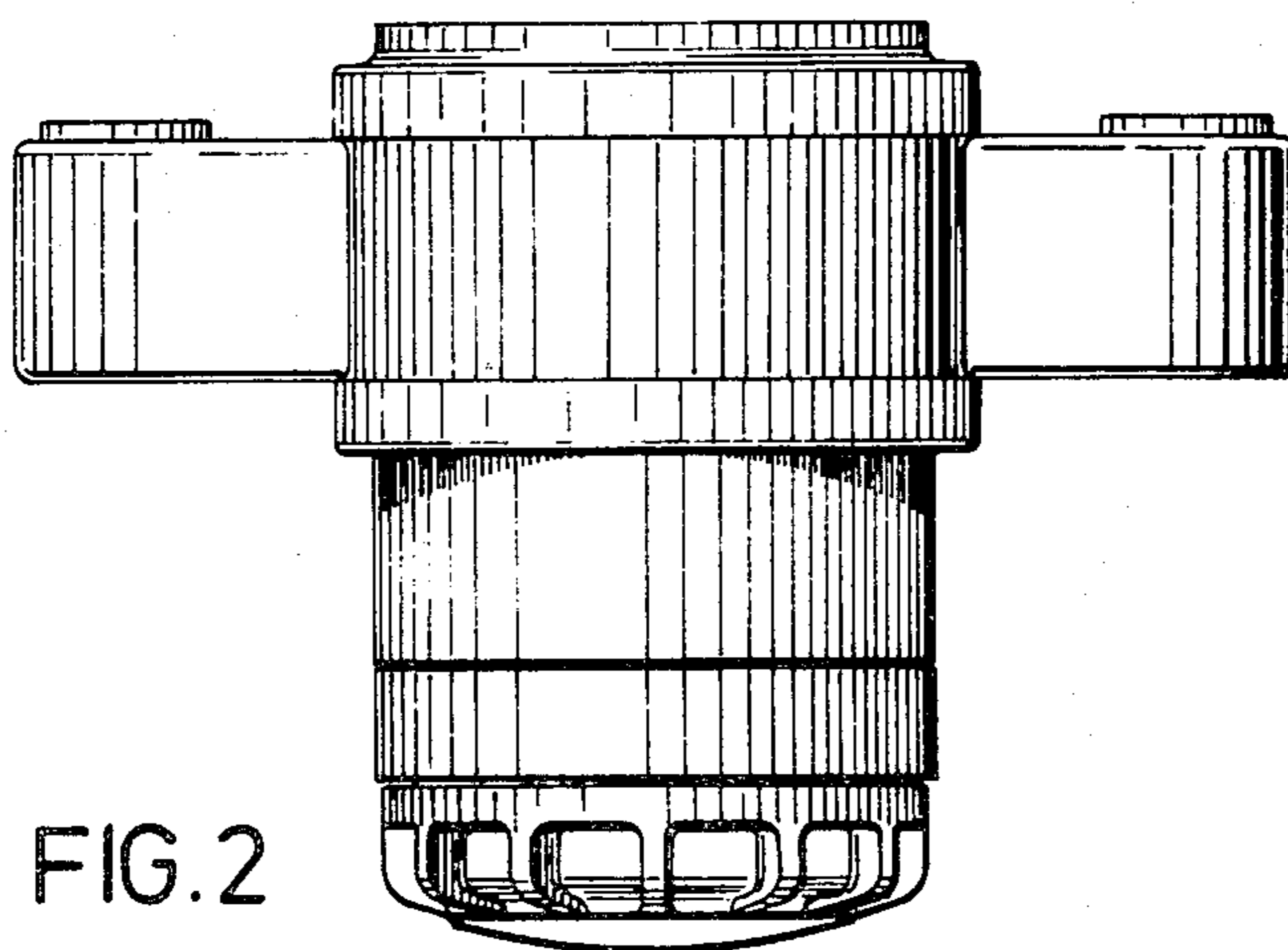


FIG. 2

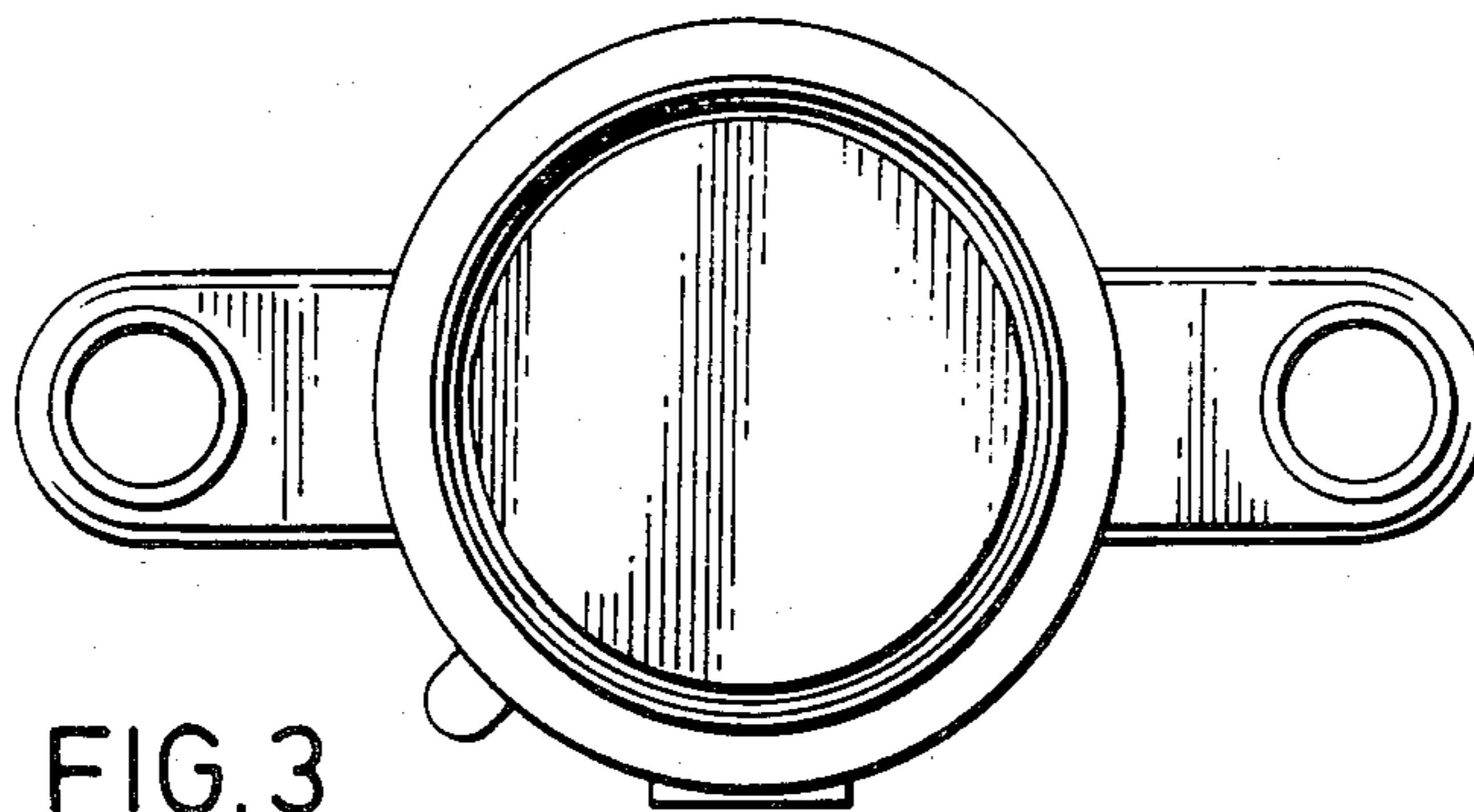


FIG. 3

FIG. 4

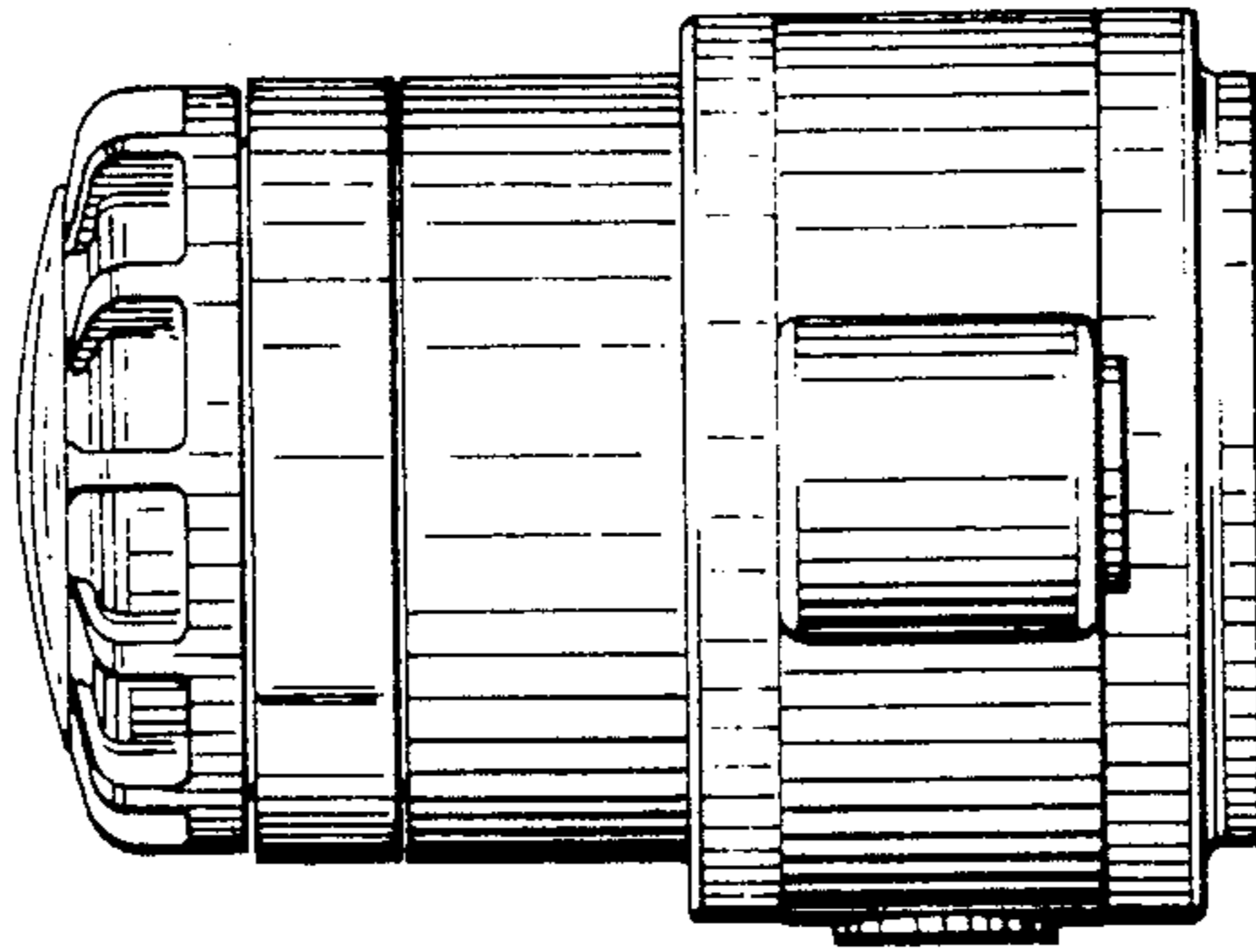


FIG. 5

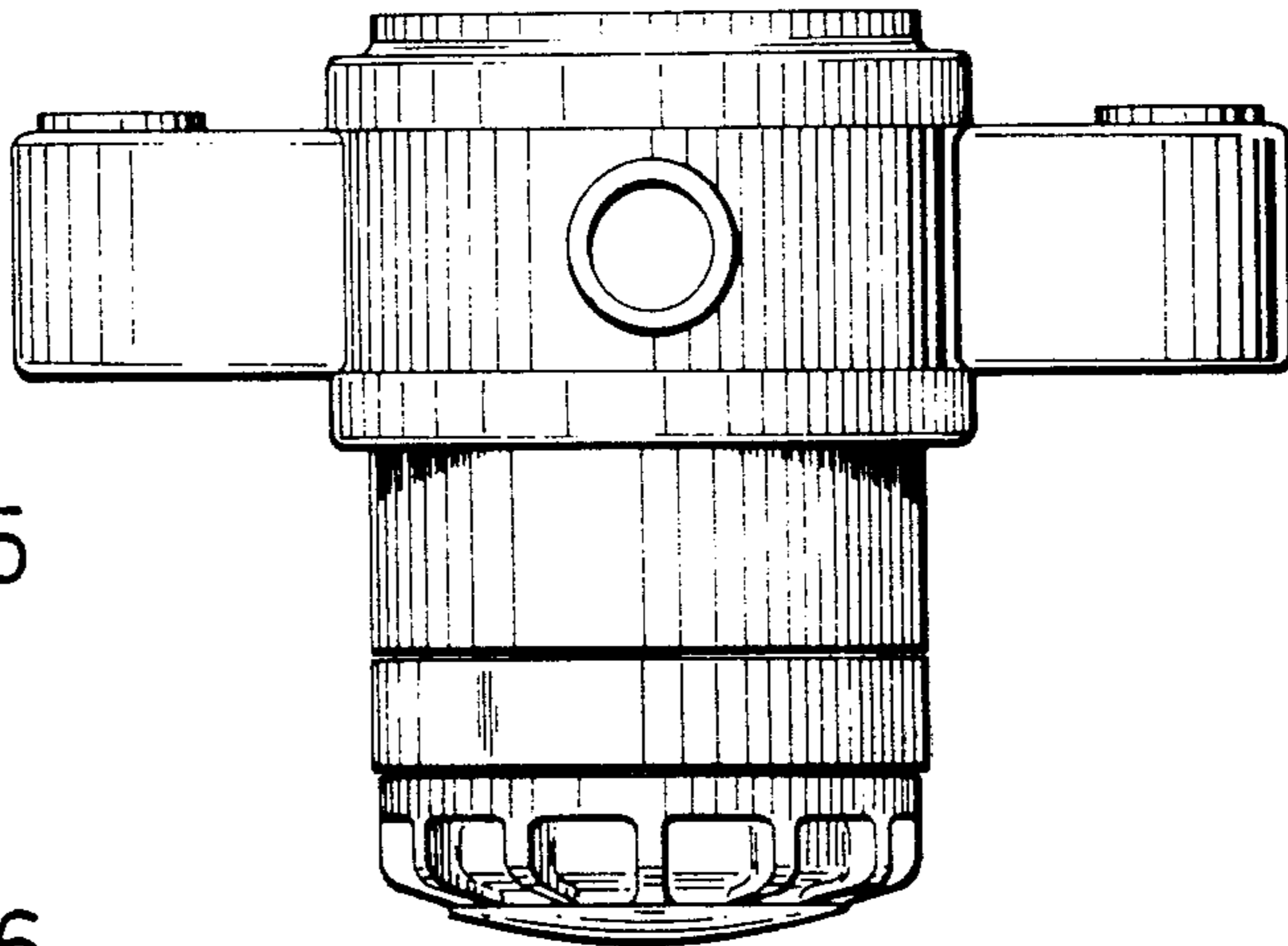
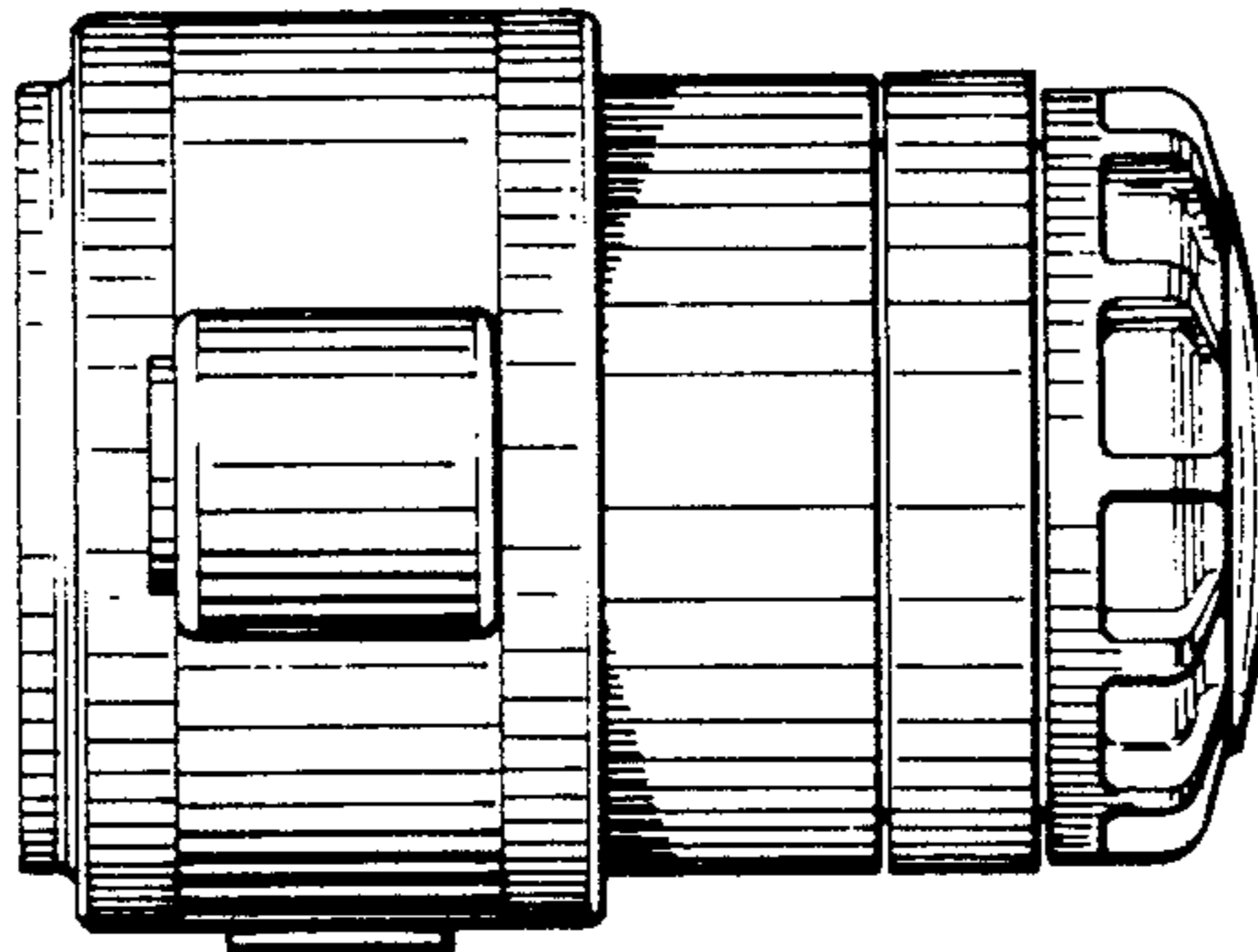


FIG. 6



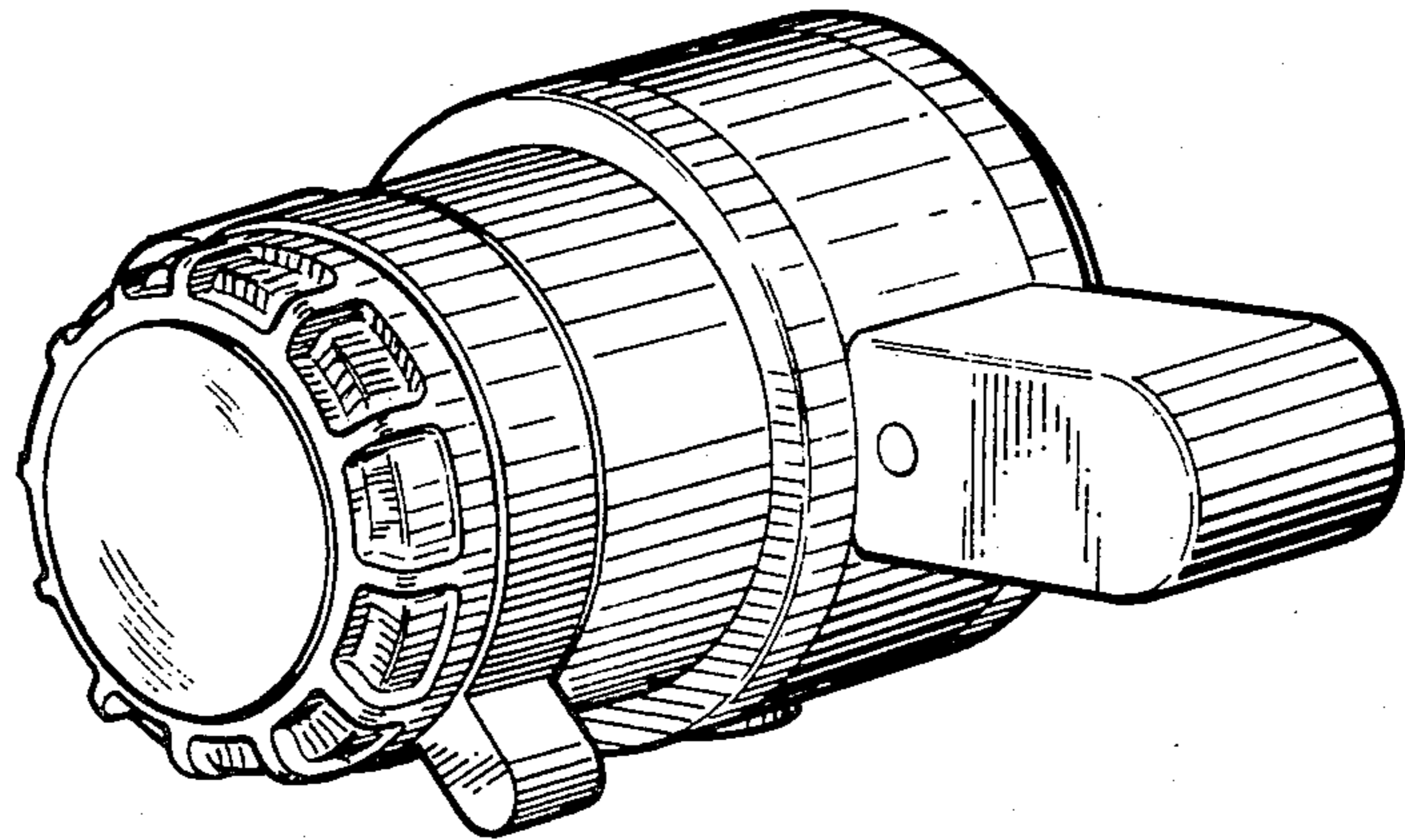


FIG. 7

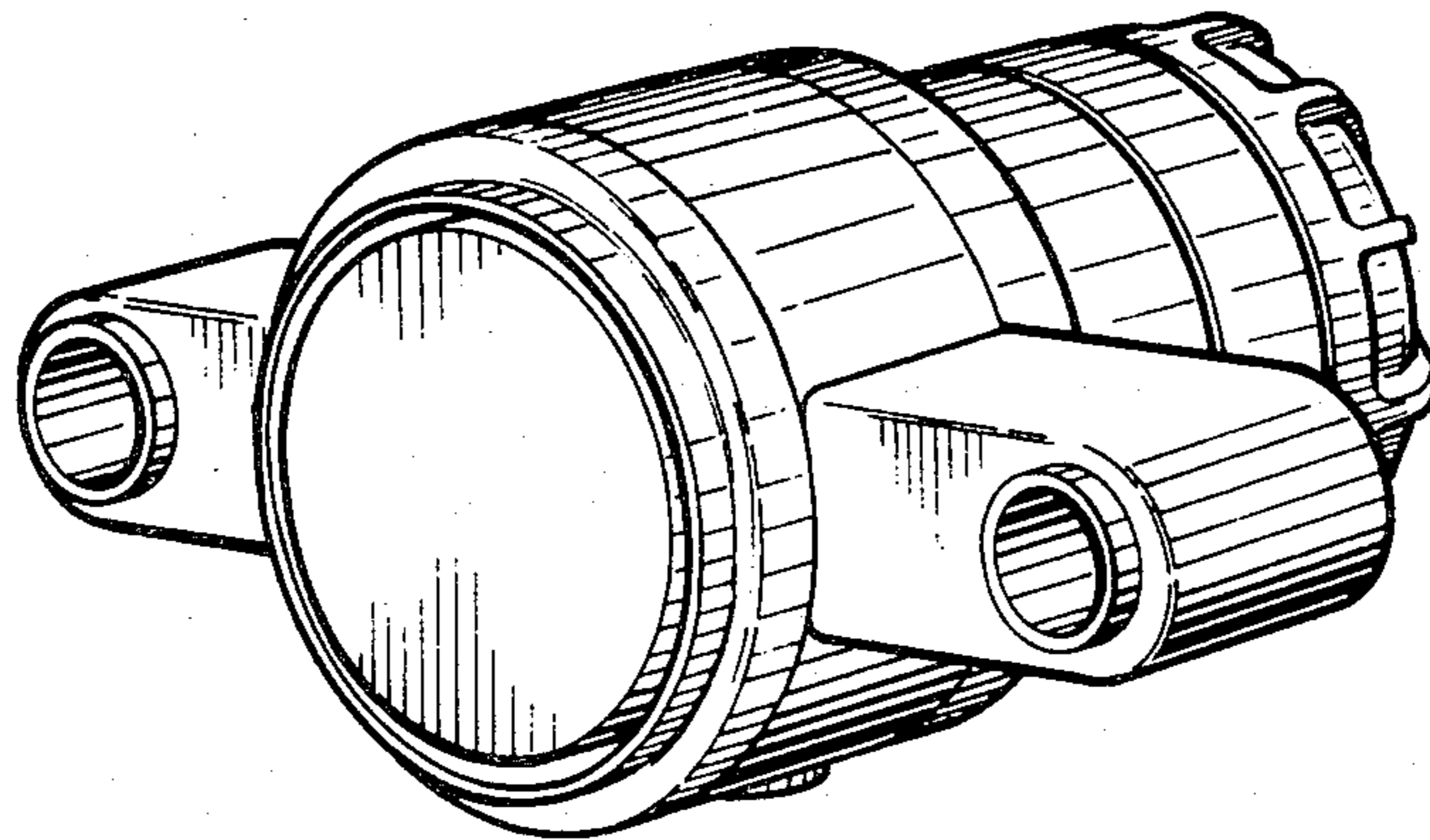


FIG. 8