

[54] FLUID MIXING VALVE FOR SHOWERS OR THE LIKE

[75] Inventor: Kenneth A. Ogilvie, Naunton, England

[73] Assignee: Walker Crowweller & Company Limited, England

[\*\*] Term: 14 Years

[21] Appl. No.: 542,541

[22] Filed: Oct. 17, 1983

[30] Foreign Application Priority Data

Jul. 2, 1983 [GB] United Kingdom ..... 1013894

[52] U.S. Cl. .... D23/19

[58] Field of Search ..... D23/19-32, D23/38, 39; 16/110, 121

[56] References Cited

U.S. PATENT DOCUMENTS

- D. 50,631 4/1917 Reid, Jr. .... D23/39
- D. 86,452 3/1932 Grandahl ..... D23/39
- D. 152,809 2/1949 MacCauley ..... D23/21
- D. 180,254 5/1957 Tiller ..... D23/38
- D. 193,756 10/1962 Parker ..... D23/31
- D. 194,229 12/1962 Landell et al. .... D23/31

- D. 203,795 2/1966 Harvey et al. .... D23/31
- D. 209,805 1/1968 Barker ..... D23/38
- D. 213,779 4/1969 Du Bois ..... D23/31
- D. 241,440 9/1976 Doman ..... D23/31
- D. 263,989 4/1982 Fleischmann et al. .... D23/31

OTHER PUBLICATIONS

- Domestic Engineering, Feb. 1961, p. 31.
- Domestic Engineering, Jan. 1964, p. 119, top left item.
- Domestic Engineering, Dec. 1964, p. 89, top left item.
- Domestic Engineering, Nov. 1967, p. 29, top left item.

Primary Examiner—James R. Largen  
Attorney, Agent, or Firm—Larson and Taylor

[57] CLAIM

The ornamental design for a fluid mixing valve for showers or the like, as shown.

DESCRIPTION

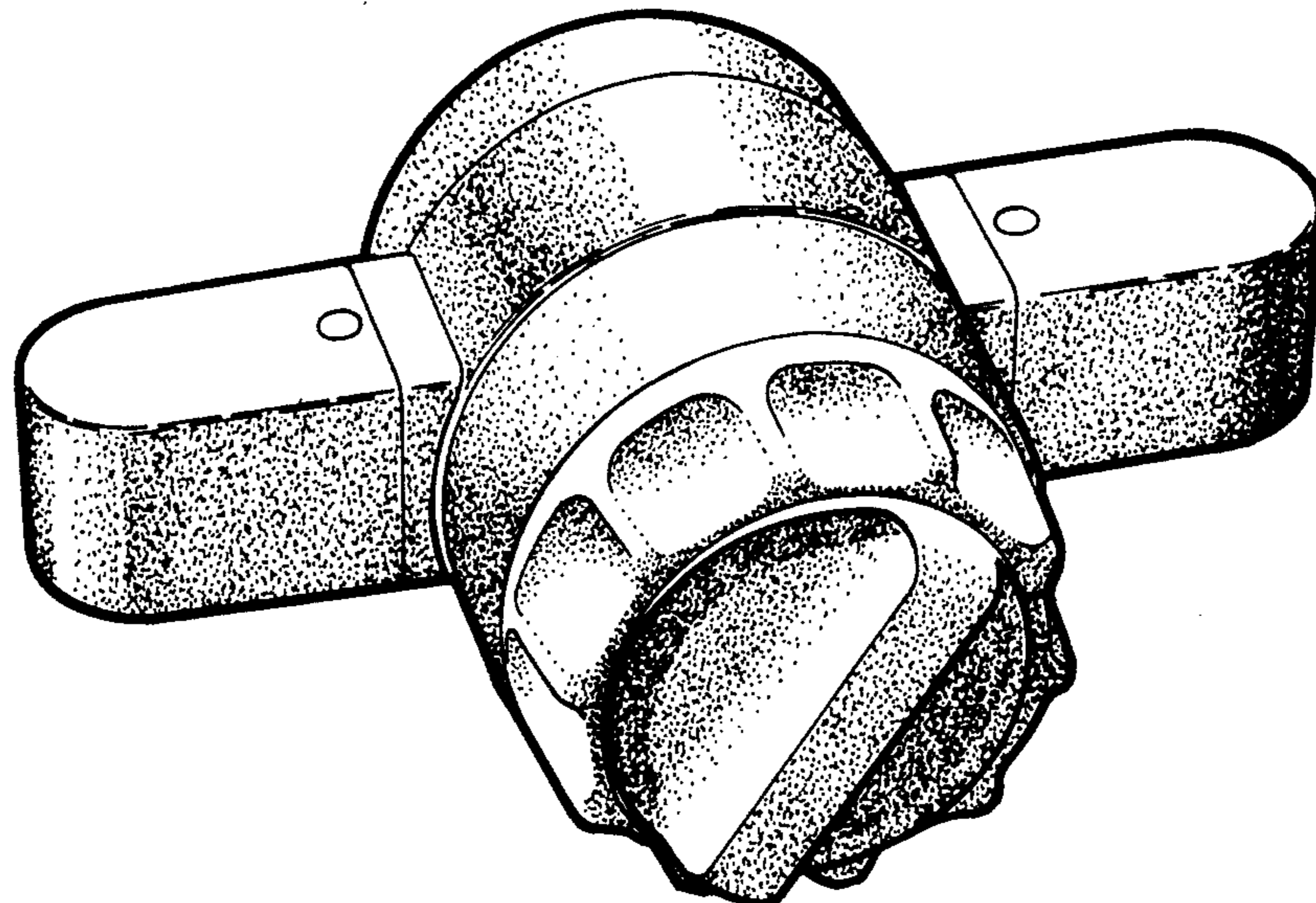
FIG. 1 is a perspective view taken from the top, front and left side of a fluid mixing valve for showers or the like showing my new design;

FIG. 2 is a perspective view taken from the bottom, rear and right side thereof;

FIG. 3 is a top plan view thereof;

FIG. 4 is a front elevational view thereof; and

FIG. 5 is a right side elevational view thereof.



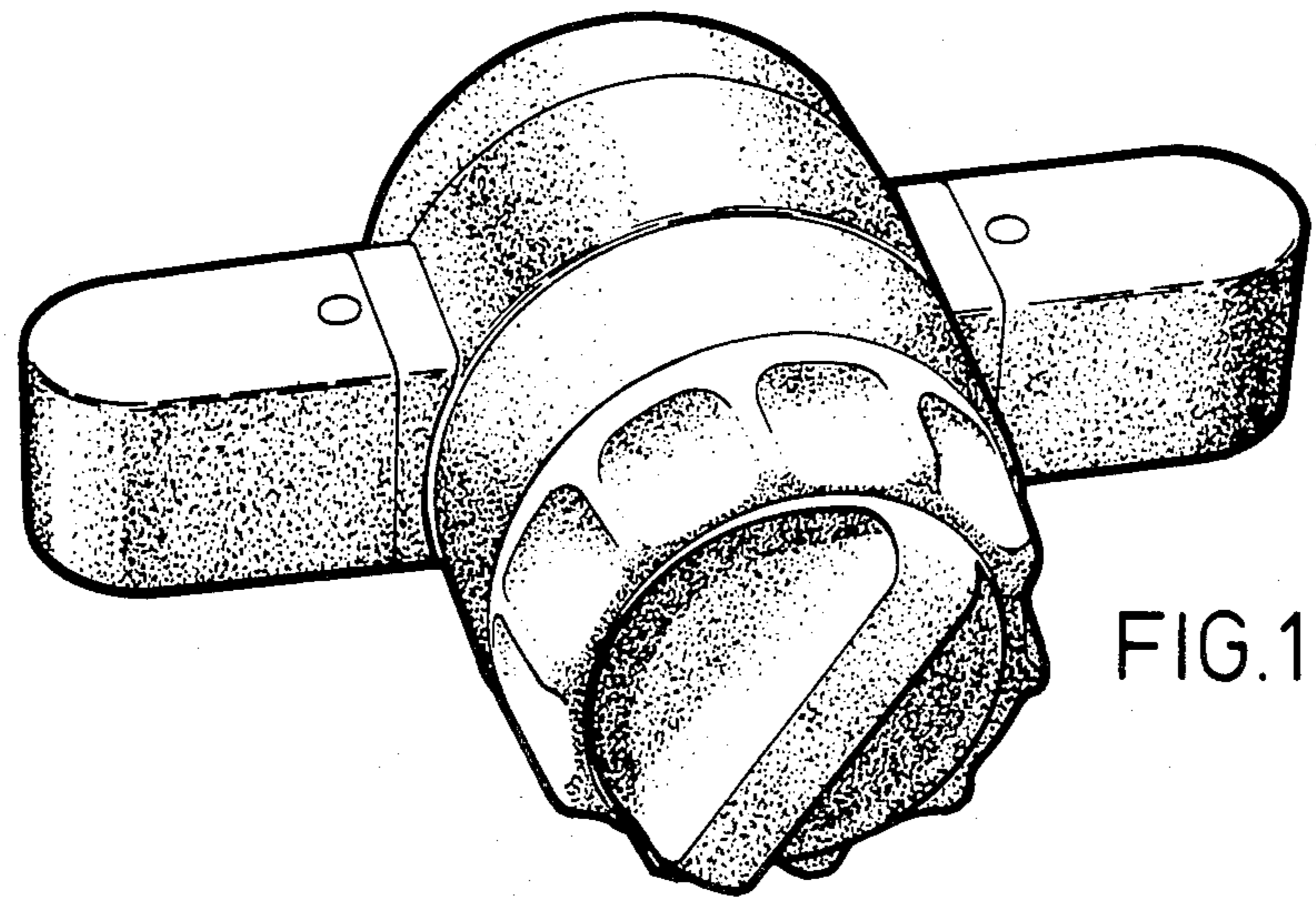


FIG. 1

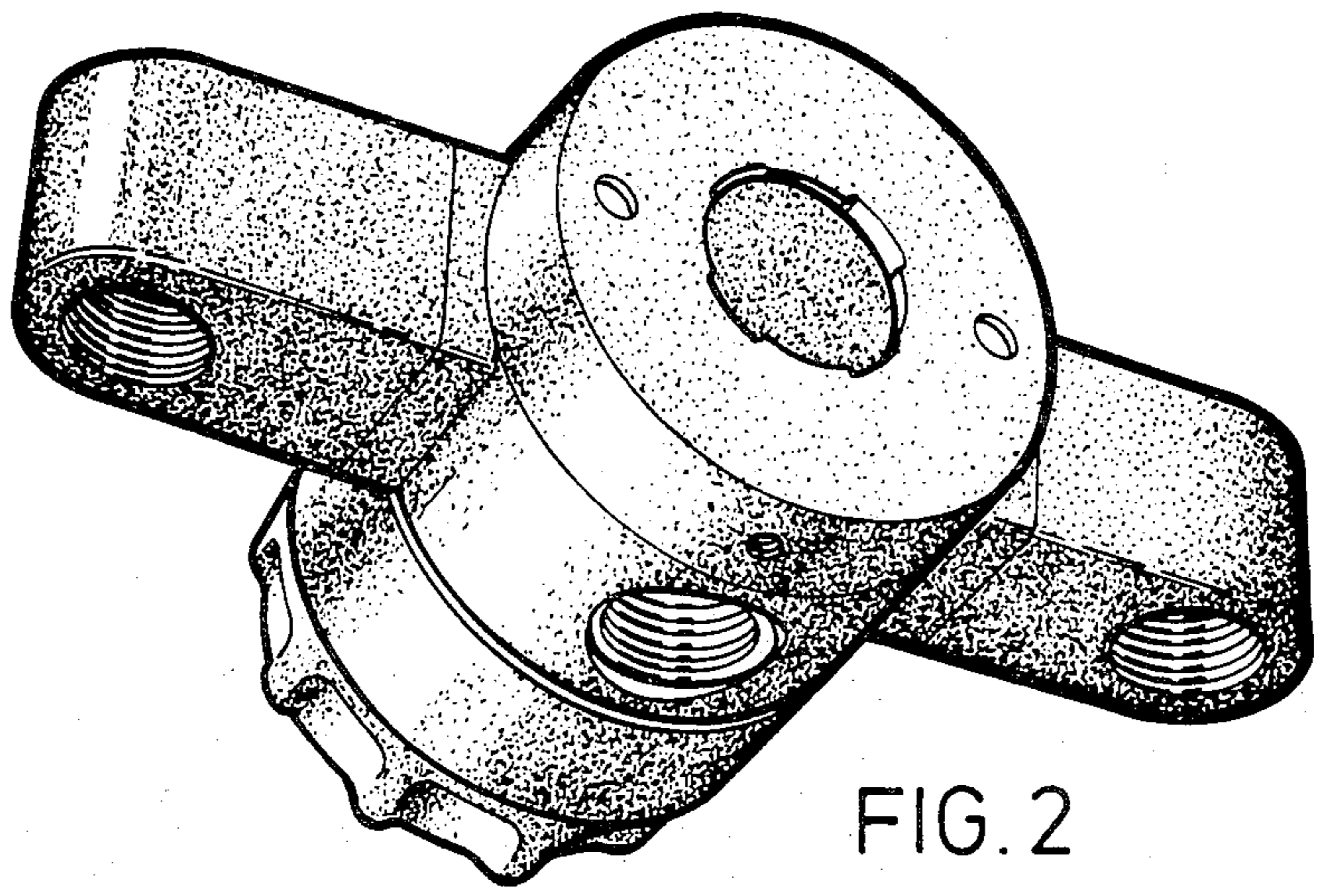


FIG. 2

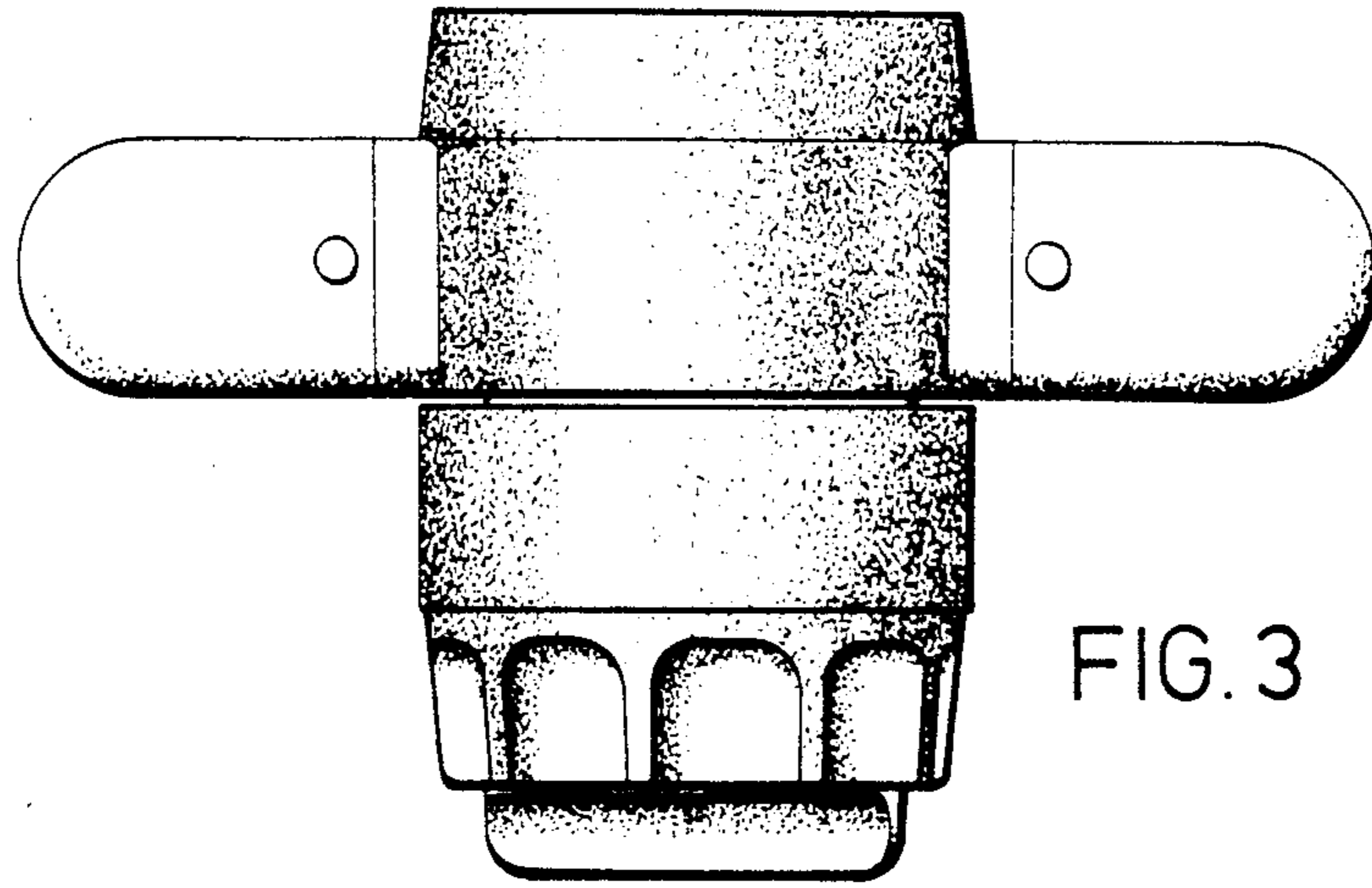


FIG. 3

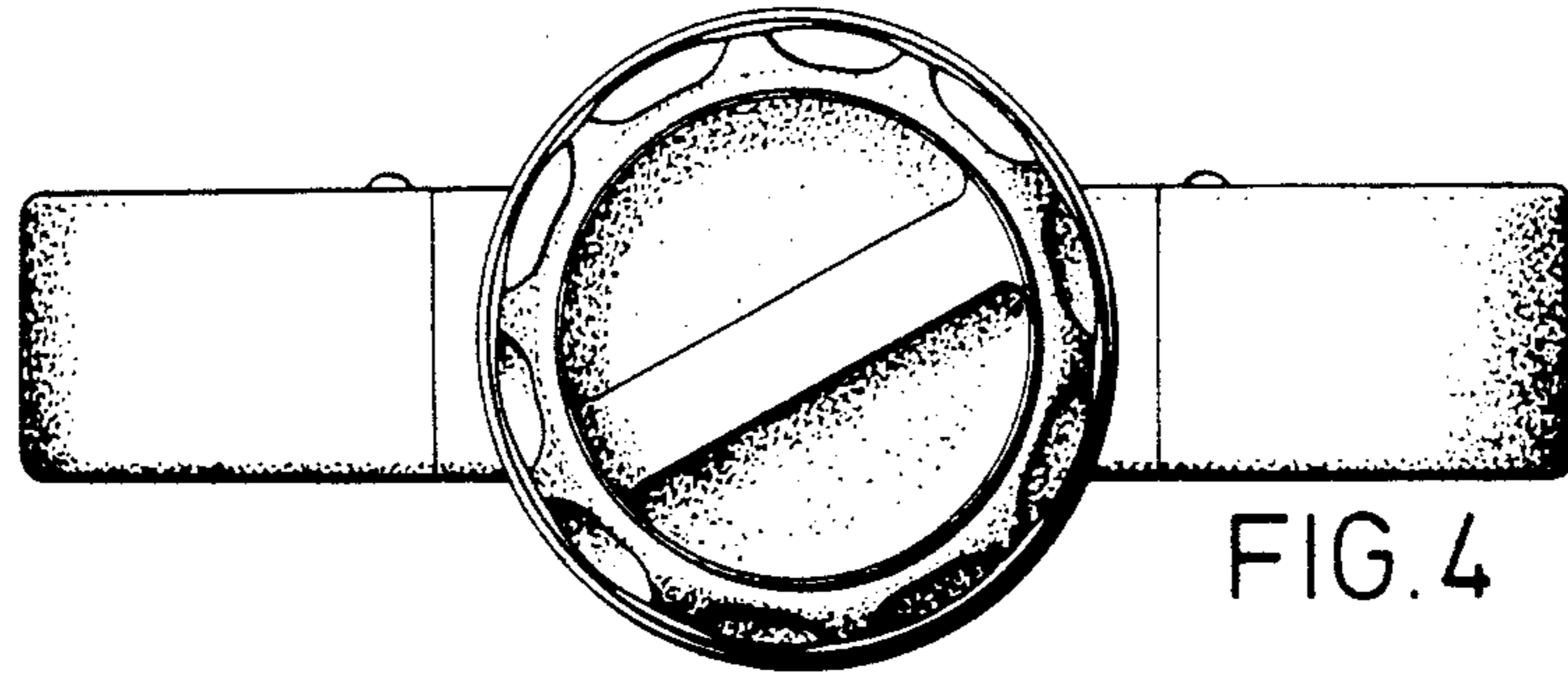


FIG. 4

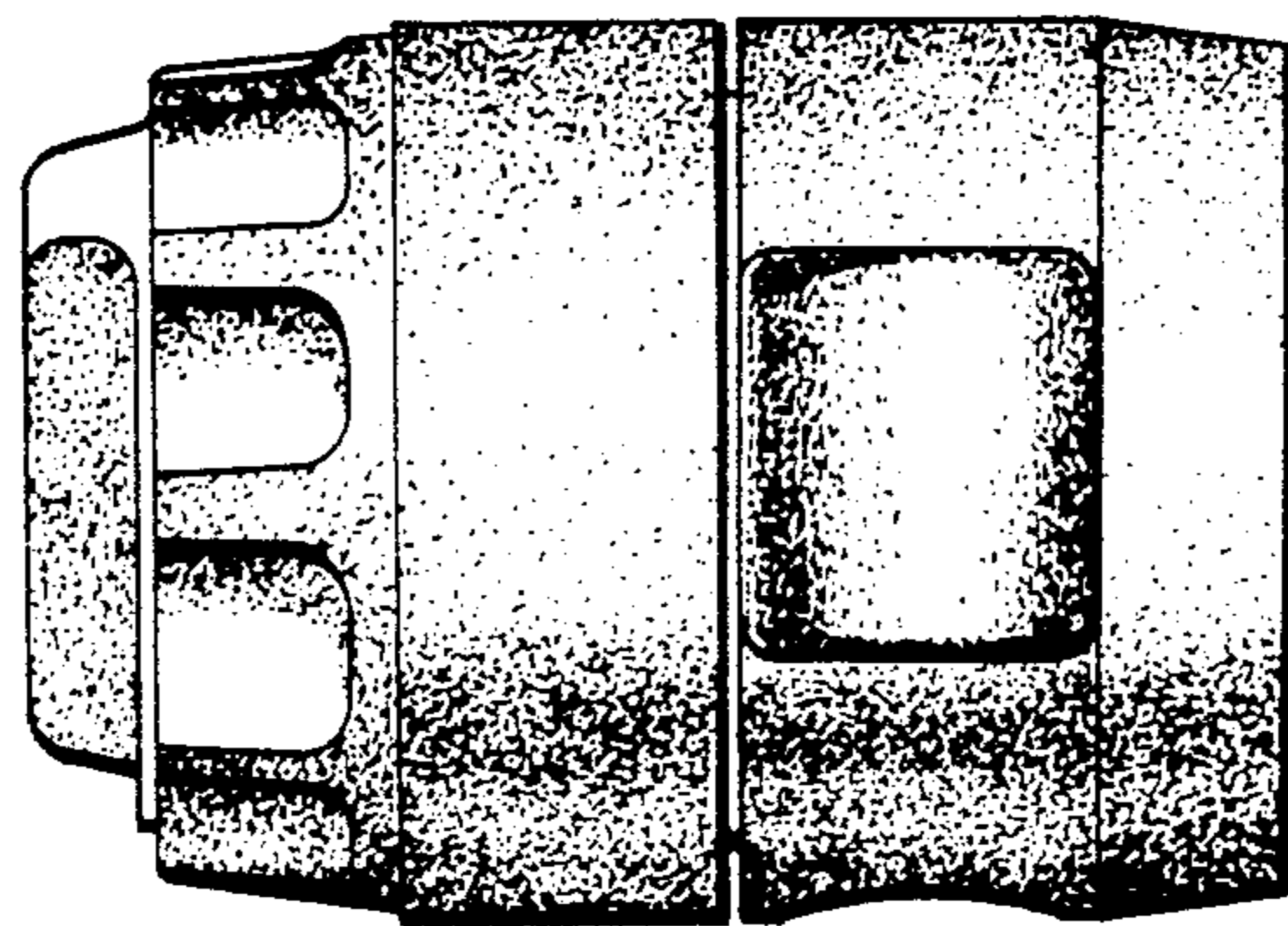


FIG. 5