

United States Patent [19]

Fetty

[11] Patent Number: **Des. 284,989**

[45] Date of Patent: **** Aug. 5, 1986**

[54] VALVE

[75] Inventor: **Harold D. Fetty**, Birmingham, Mich.

[73] Assignee: **Ross Operating Valve Company**,
Troy, Mich.

[**] Term: **14 Years**

[21] Appl. No.: **503,779**

[22] Filed: **Jun. 13, 1983**

[52] U.S. Cl. **D23/19**

[58] Field of Search **D23/14, 15, 16, 19,**
D23/20, 21, 22; 251/319

[56] **References Cited**

U.S. PATENT DOCUMENTS

D. 54,869	4/1920	Sidel	D23/16
D. 176,261	12/1955	Hughes	D23/14
D. 227,883	7/1973	Huthsing, Jr. et al.	D23/15
D. 250,638	12/1978	Fetty	D23/19
1,121,307	12/1914	Thebaud	251/319 X
2,828,146	3/1958	Abbey	251/319 X
2,834,613	5/1958	Snyder	251/319 X

4,036,469 7/1977 Dalton 251/319 X

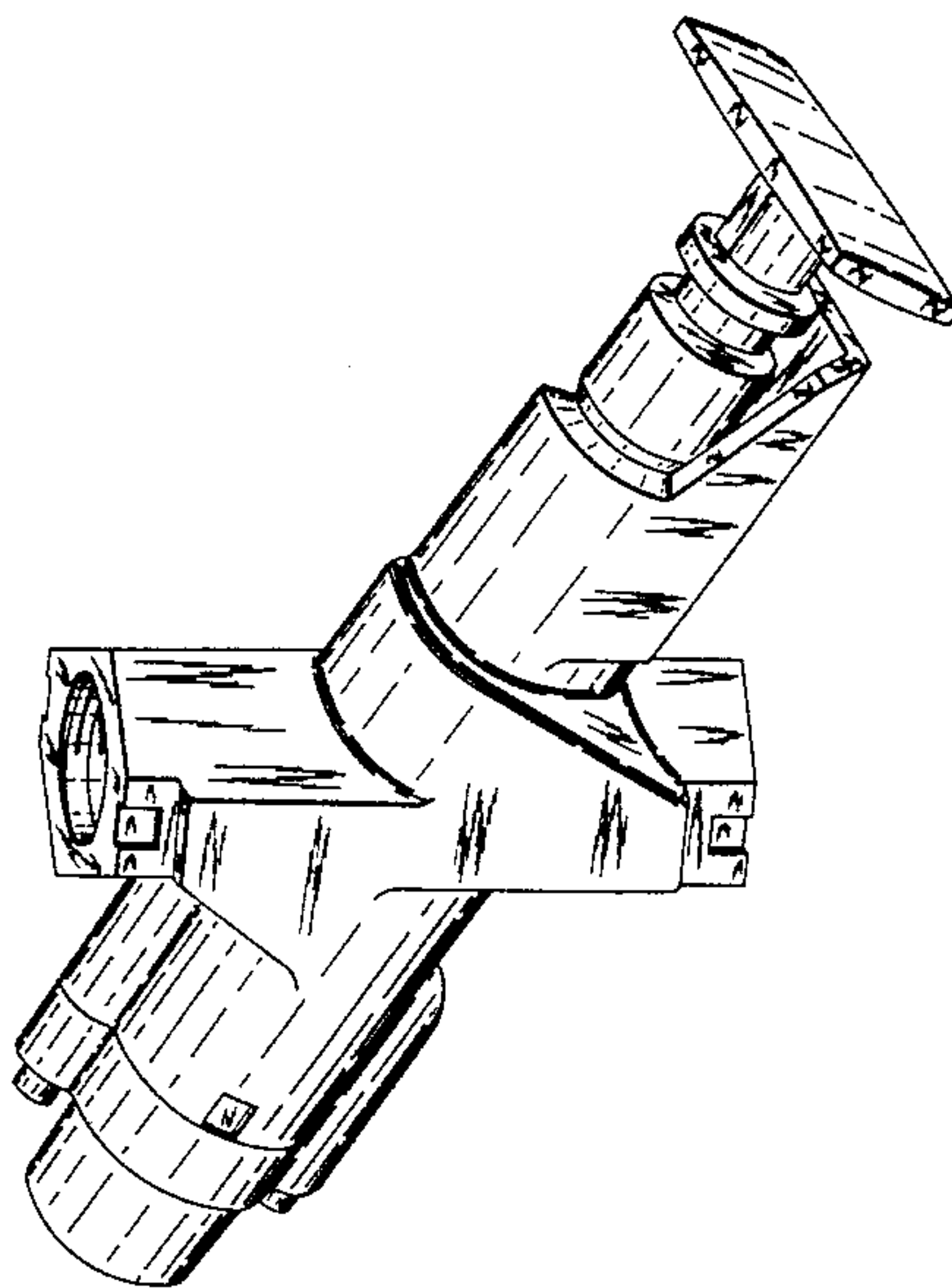
Primary Examiner—James R. Largen
Attorney, Agent, or Firm—Harness, Dickey & Pierce

[57] **CLAIM**

The ornamental design for a valve, as shown and described.

DESCRIPTION

FIG. 1 is a perspective view taken from the top, one side and one end of a valve showing my new design; FIG. 2 is an elevational view thereof taken from the side shown in FIG. 1, the opposite side being a mirror image of the side shown; FIG. 3 is an end elevational view thereof taken in the direction of arrow 3 on FIG. 2; FIG. 4 is another end elevational view thereof taken in the direction of arrow 4 on FIG. 2; FIG. 5 is a top view thereof taken in the direction of arrow 5 on FIG. 2; and FIG. 6 is a bottom view thereof taken in the direction of arrow 6 on FIG. 2.



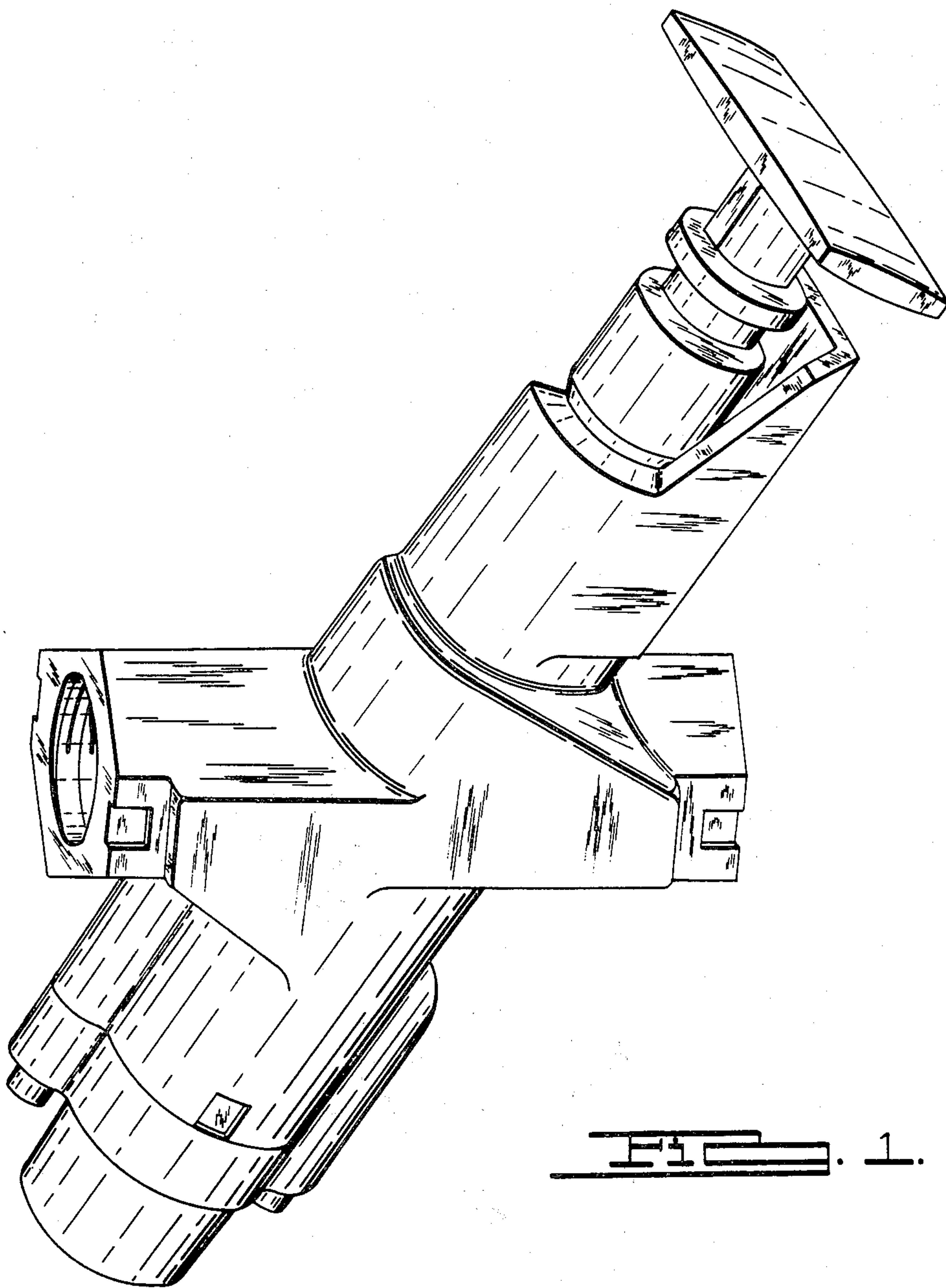


FIG. 1.

