

[54] SPRAY GUN

[75] Inventor: David Powell, London, England

[73] Assignee: Imperial Chemical Industries PLC,
London, England

[**] Term: 14 Years

[21] Appl. No.: 634,359

[22] Filed: Jul. 25, 1984

[30] Foreign Application Priority Data

Jan. 25, 1984 [GB] United Kingdom 1017508

[52] U.S. Cl. D23/17

[58] Field of Search D23/17-18;
239/71, 154, 289-290, 318, 322, 337, 414, 428.5,
436, 525-528, 532, 569

[56] References Cited

U.S. PATENT DOCUMENTS

D. 142,601 10/1945 Warner D23/17

D. 195,438 6/1963 Wing D23/17
1,311,760 7/1919 Davis D23/17 X
3,198,439 8/1965 McNinch, Jr. et al. 239/526 X

FOREIGN PATENT DOCUMENTS

1253596 11/1971 United Kingdom 239/526

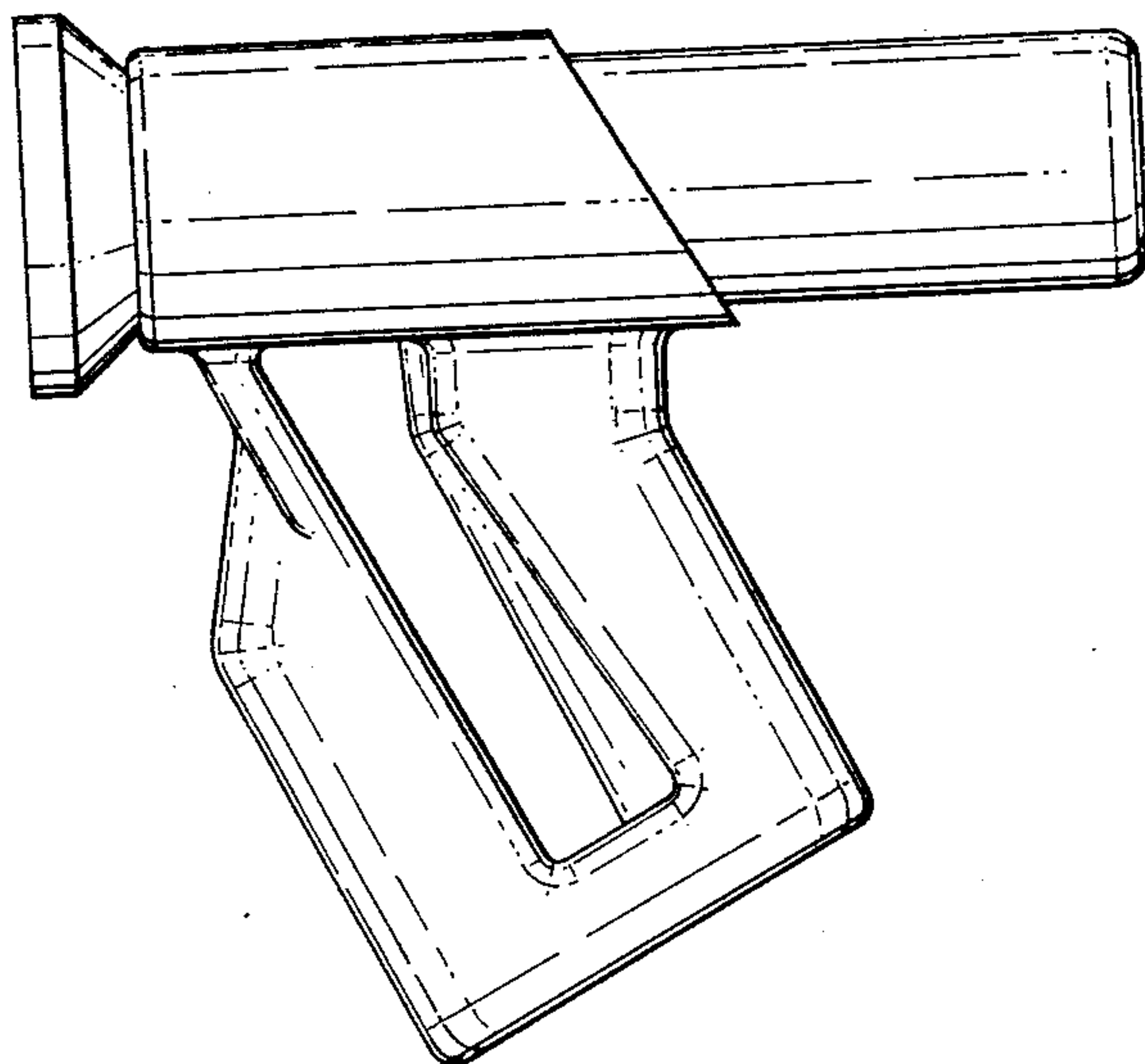
Primary Examiner—A. Hugo Word
Assistant Examiner—Brian N. Vinson
Attorney, Agent, or Firm—Cushman, Darby & Cushman

[57] CLAIM

The ornamental design of a spray gun, as shown and described.

DESCRIPTION

FIG. 1 is a front elevation of a spray gun showing my new design;
FIG. 2 is a right end elevation thereof;
FIG. 3 is a top plan view thereof;
FIG. 4 is a bottom plan view thereof;
FIG. 5 is a rear elevation thereof; and
FIG. 6 is a left end elevation thereof.



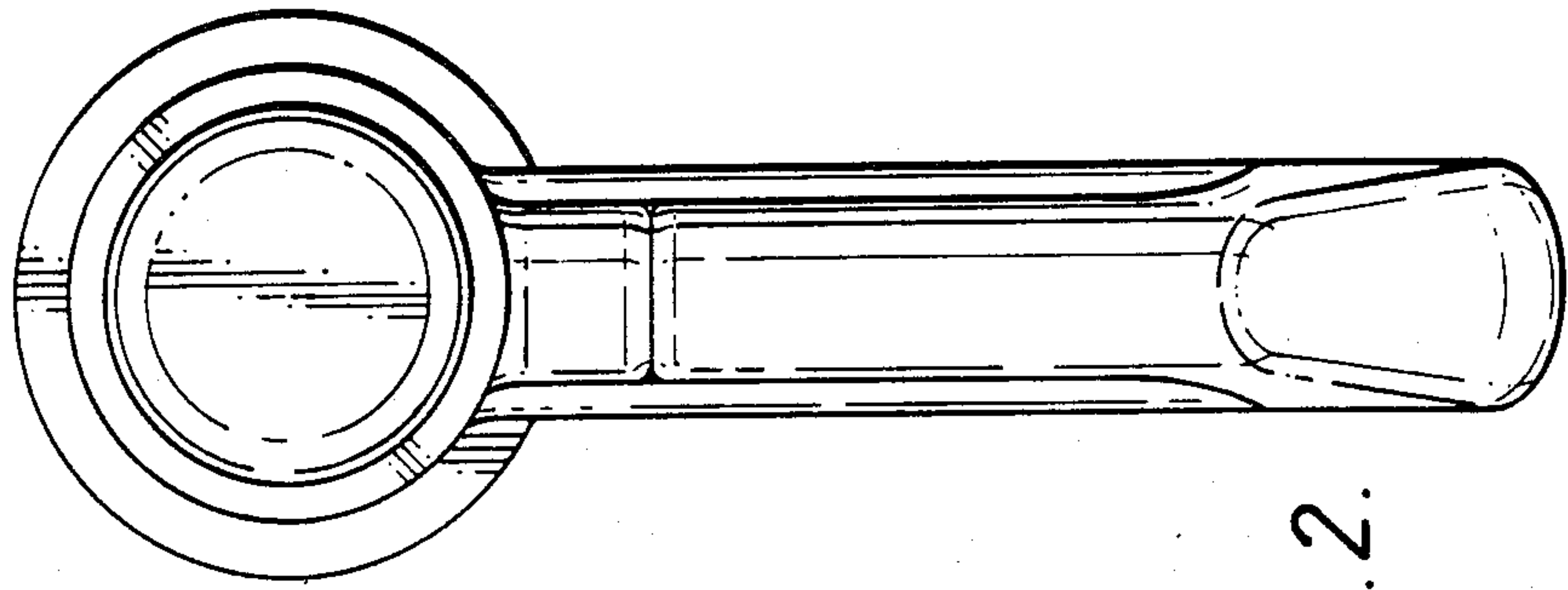


Fig. 2.

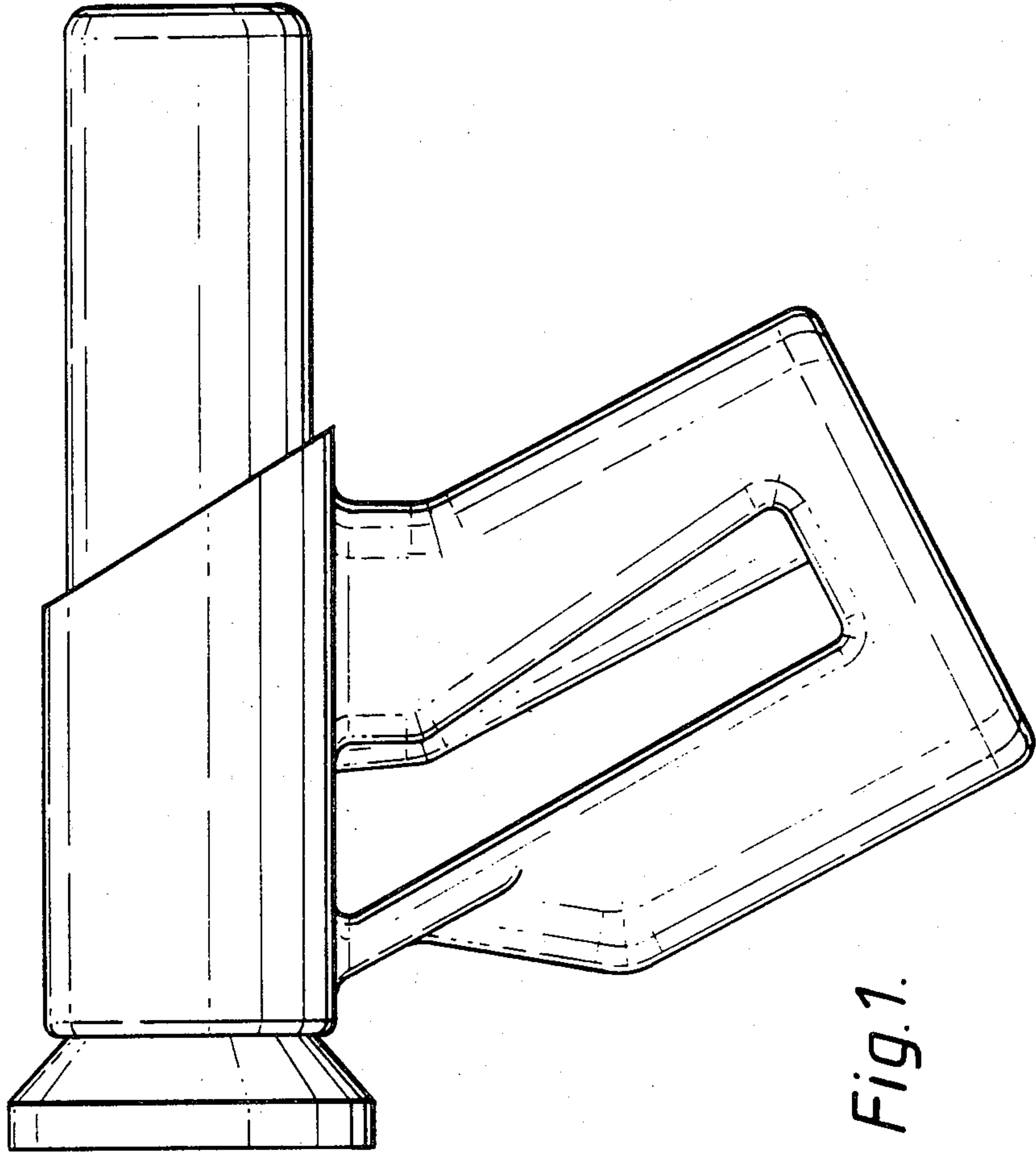


Fig. 1.

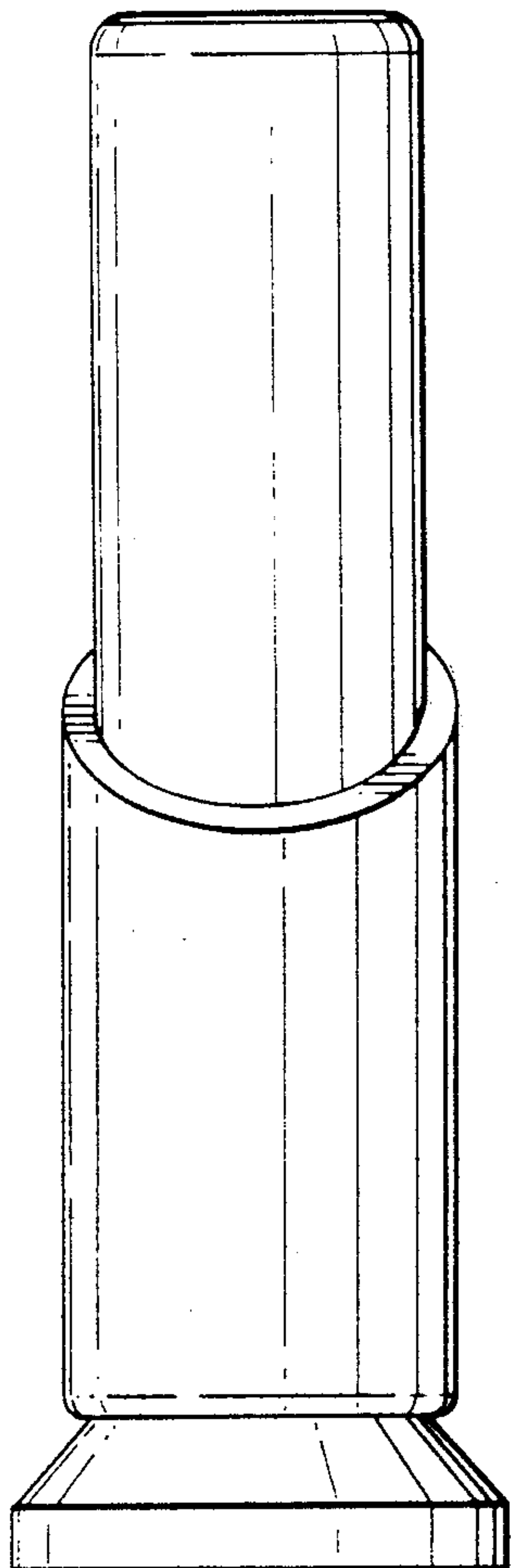


Fig. 3.

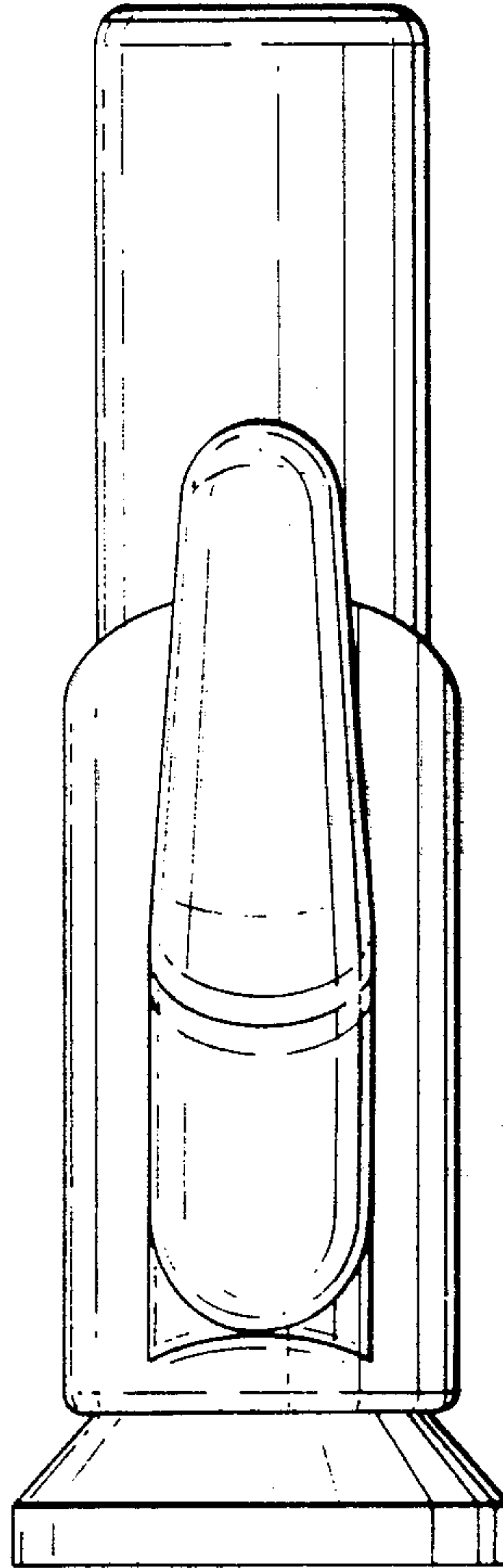


Fig. 4.

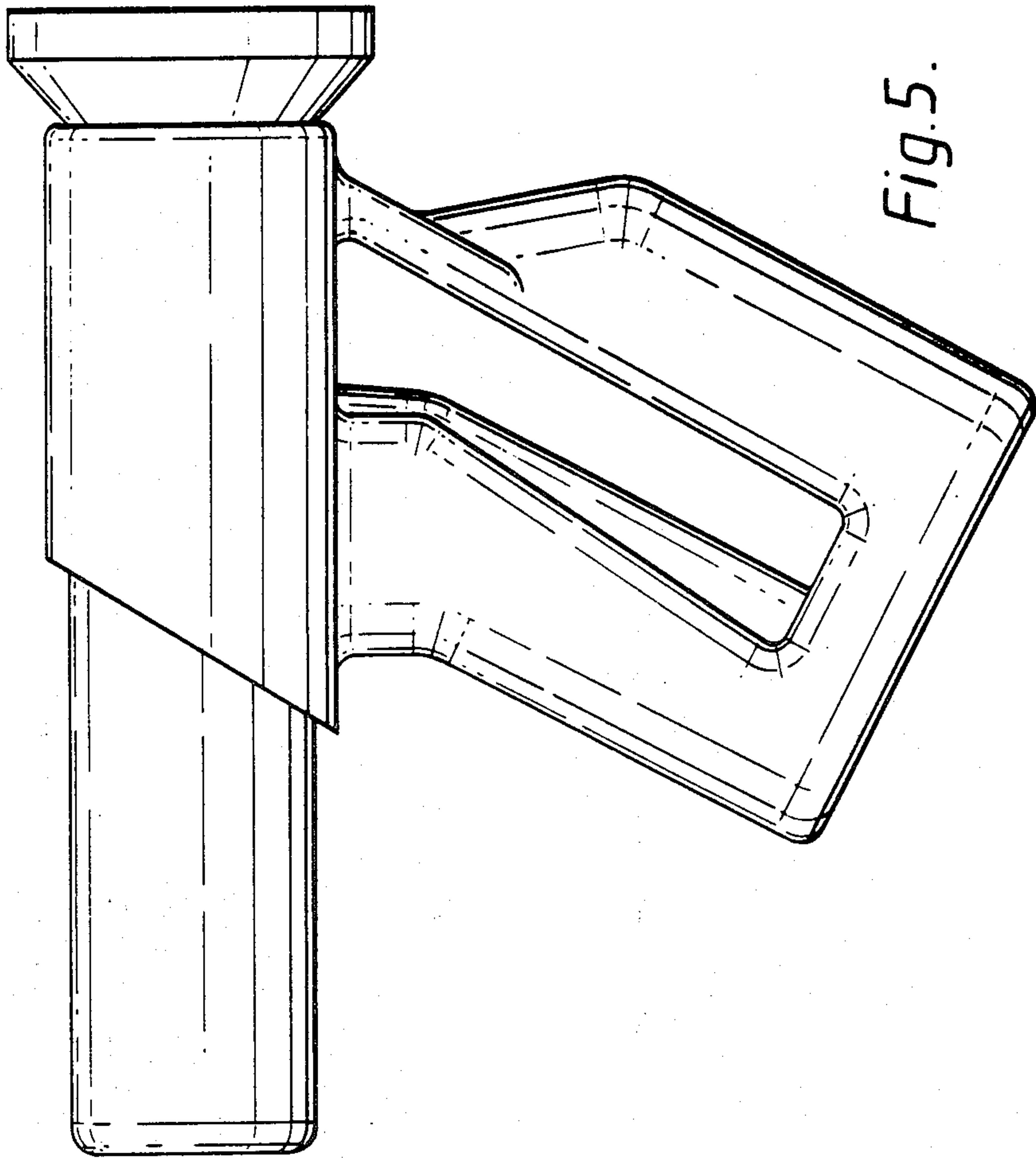


Fig. 5.

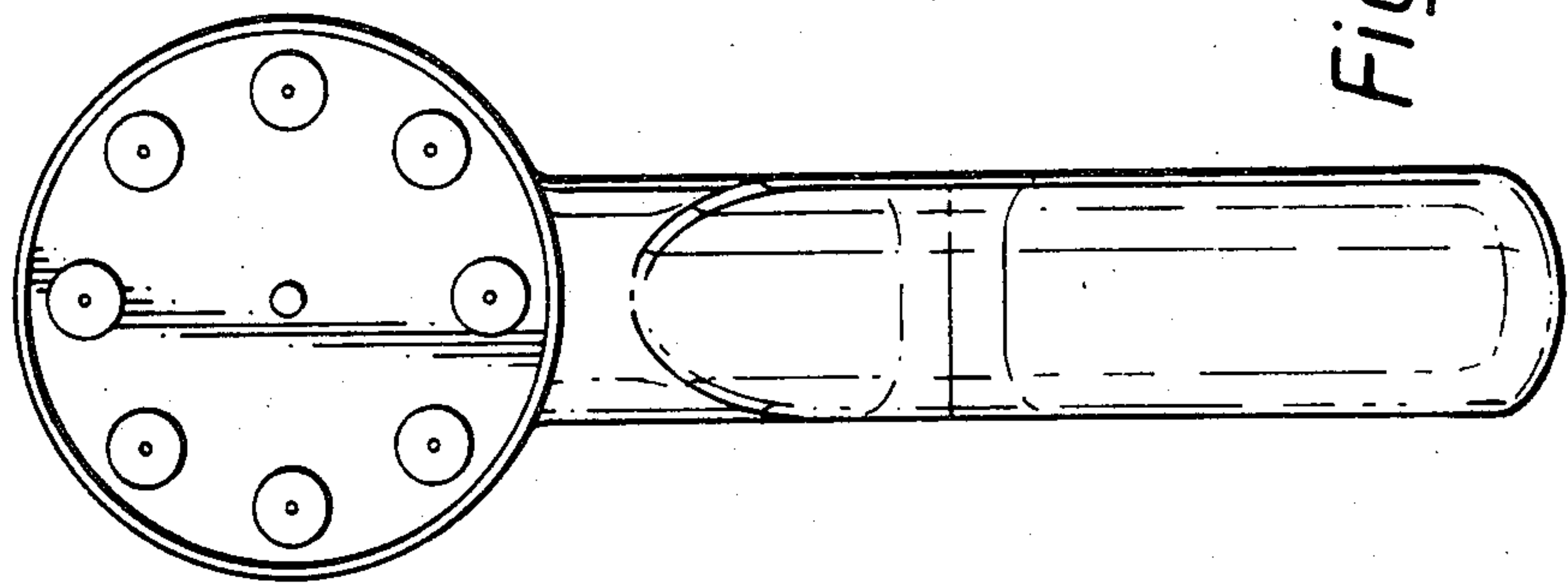


Fig. 6.