

[54] GARDEN SPRINKLER HEAD

[75] Inventors: Jack L. Lemkin, Cincinnati; Eugene A. Zilber, Columbus, both of Ohio

[73] Assignee: The O. M. Scott & Sons Company, Marysville, Ohio

[**] Term: 14 Years

[21] Appl. No.: 586,284

[22] Filed: Mar. 5, 1984

[52] U.S. Cl. D23/7

[58] Field of Search D23/6-9; 239/67, 148, 177.1, 177.2, 178, 191-192, 230-233, 247, 251, 258, 261, 391, 562

[56] References Cited

U.S. PATENT DOCUMENTS

D. 26,253	11/1896	Esty	D23/6
D. 269,034	5/1983	Wood	D23/6 X
D. 270,178	8/1983	Heck	D23/7
D. 270,274	8/1983	Rau, III et al.	D23/7
D. 276,174	10/1984	Chow et al.	D23/7
3,543,013	11/1970	Lockwood	239/230
3,930,617	1/1976	Dunmire	239/233 X

OTHER PUBLICATIONS

Catalog Page of Lego M. Lemelshtrich Ltd., Netania, Israel.

Catalog of Dan Sprinklers, Kibbutz Dan, Israel, 3 pages.

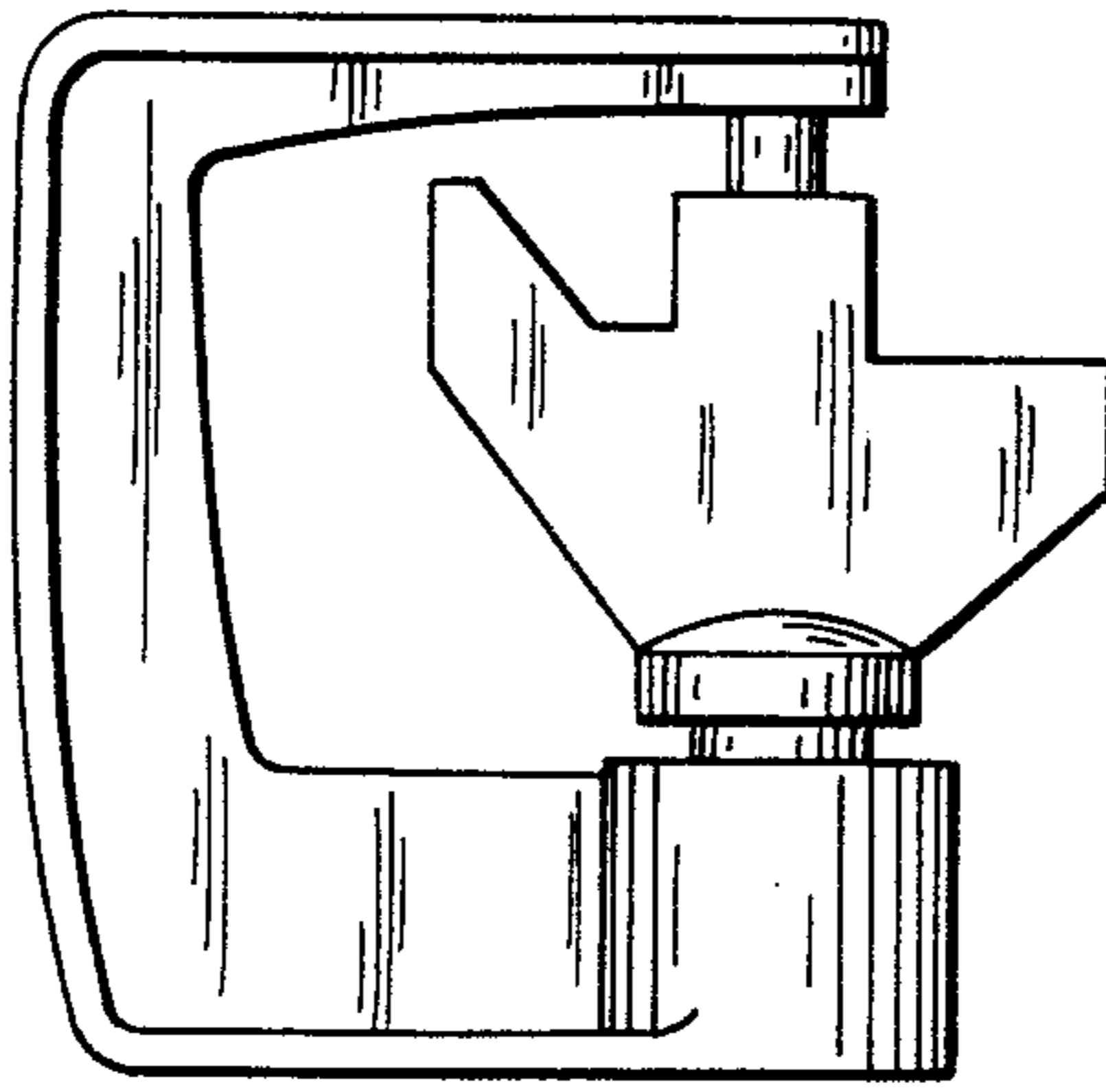
Primary Examiner—A. Hugo Word
Assistant Examiner—Brian N. Vinson
Attorney, Agent, or Firm—James B. Raden; Harold J. Holt

[57] CLAIM

The ornamental design for a garden sprinkler head, substantially as shown and described.

DESCRIPTION

FIG. 1 is a front elevational view of a garden sprinkler head showing our new design;
FIG. 2 is an elevational view of one side thereof;
FIG. 3 is an elevational view of the opposite side thereof;
FIG. 4 is a plan view thereof;
FIG. 5 is a bottom view thereof; and
FIG. 6 is a rear elevational view thereof.



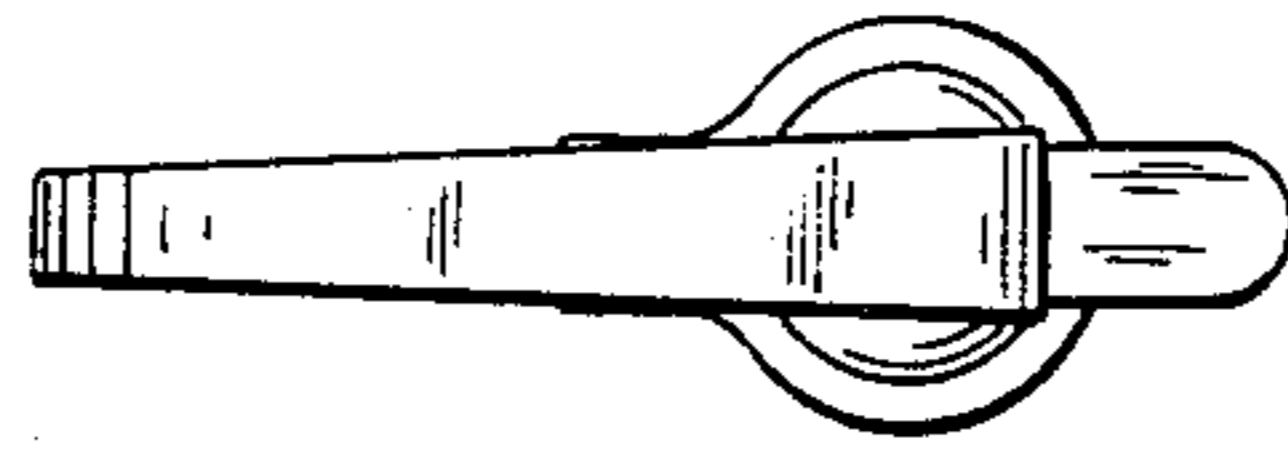


FIG. 4

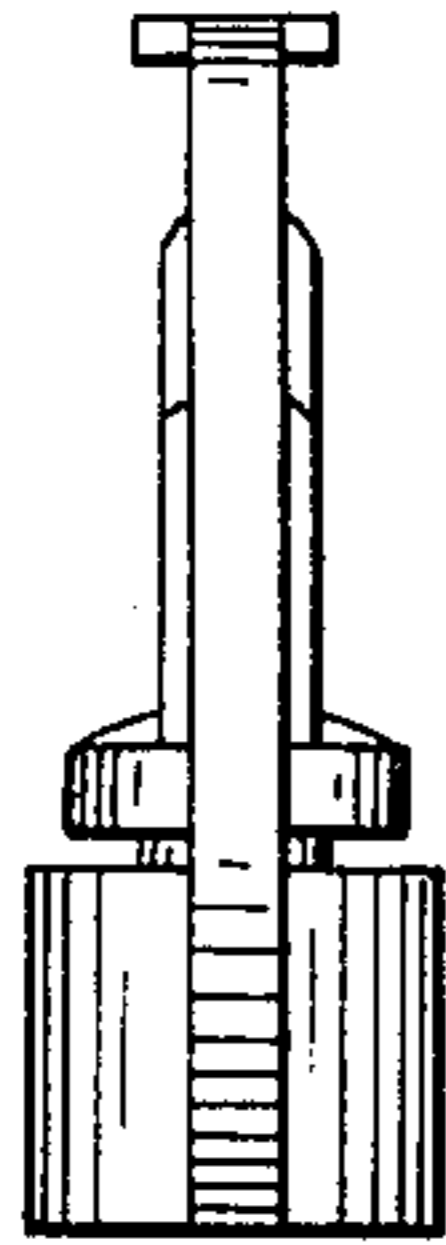


FIG. 2

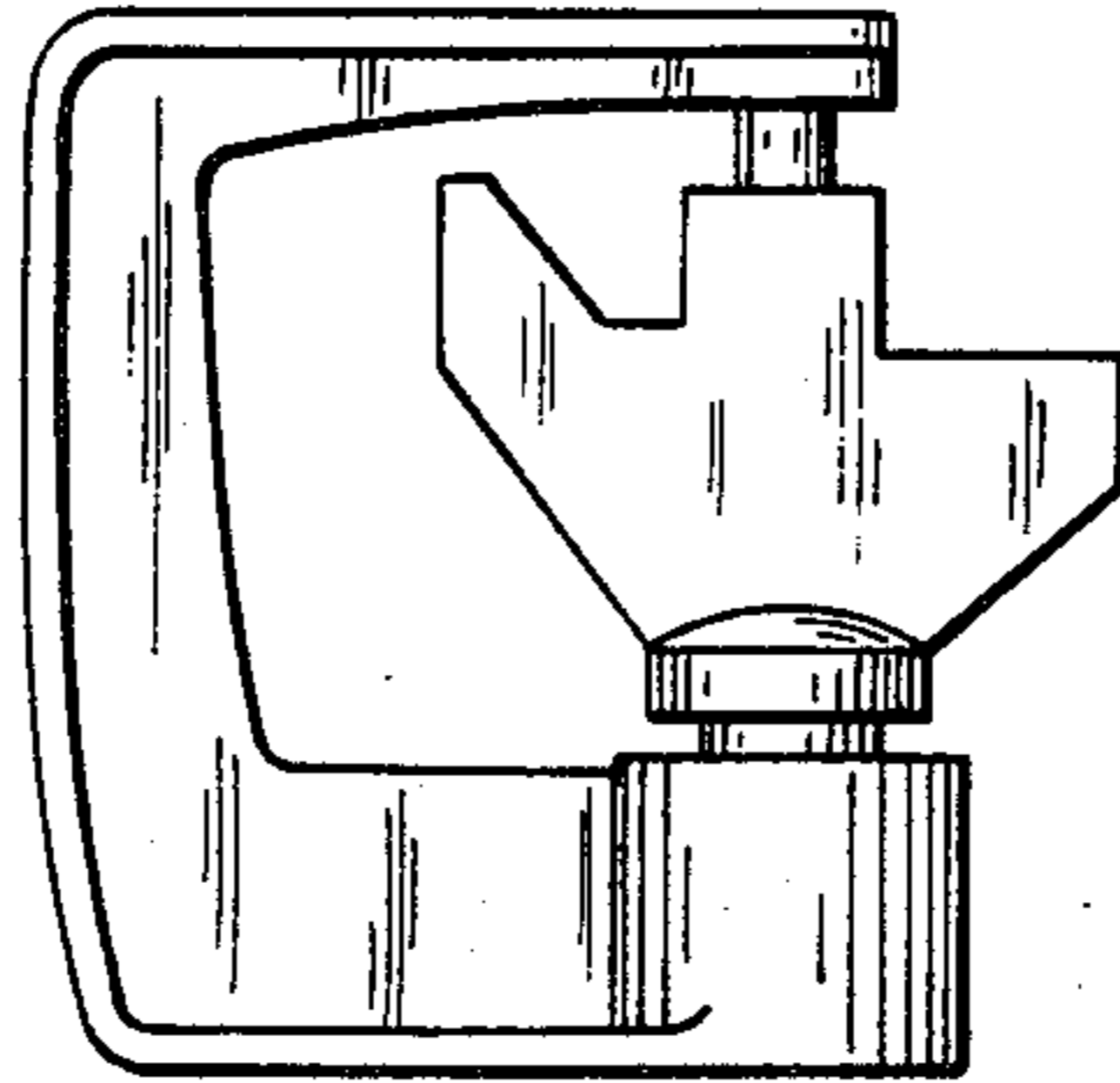


FIG. 1

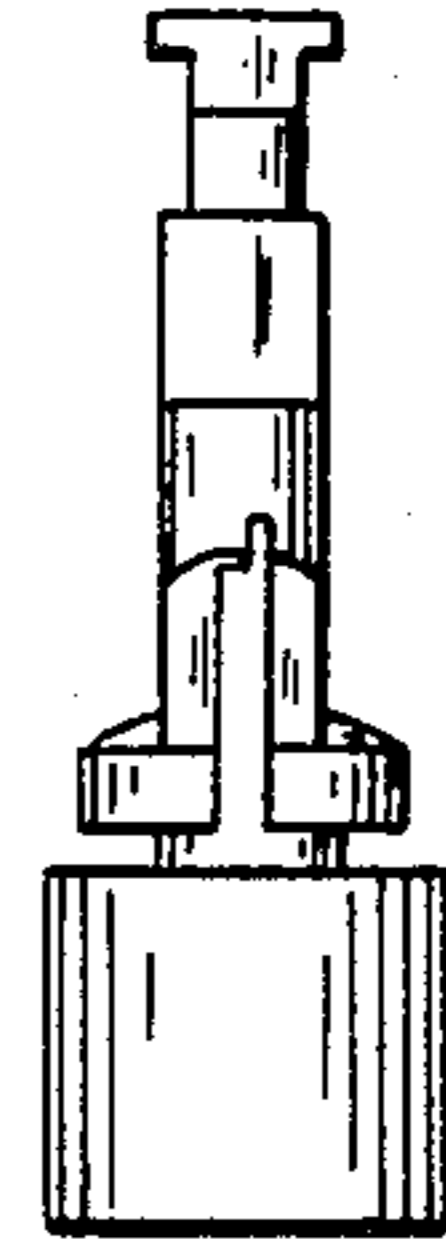


FIG. 3

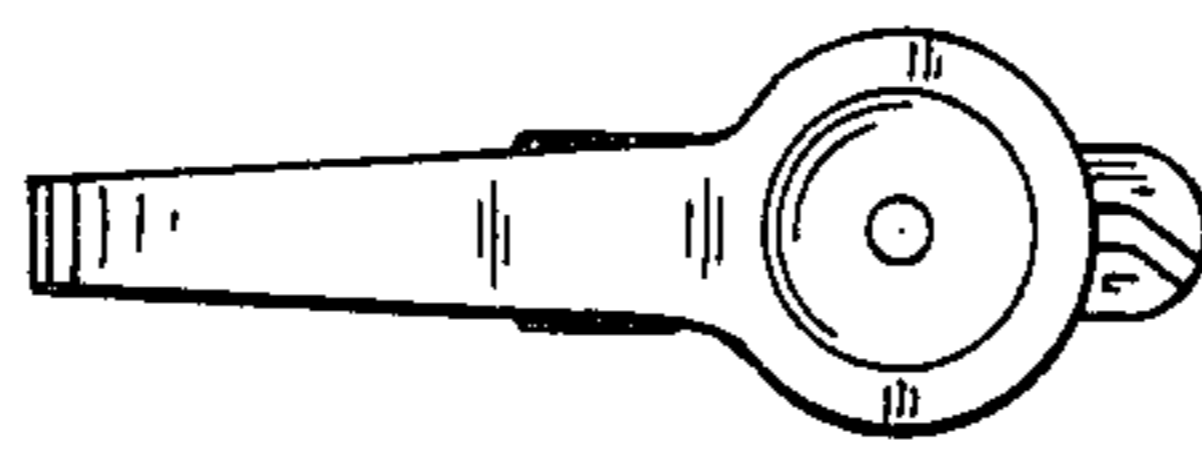


FIG. 5

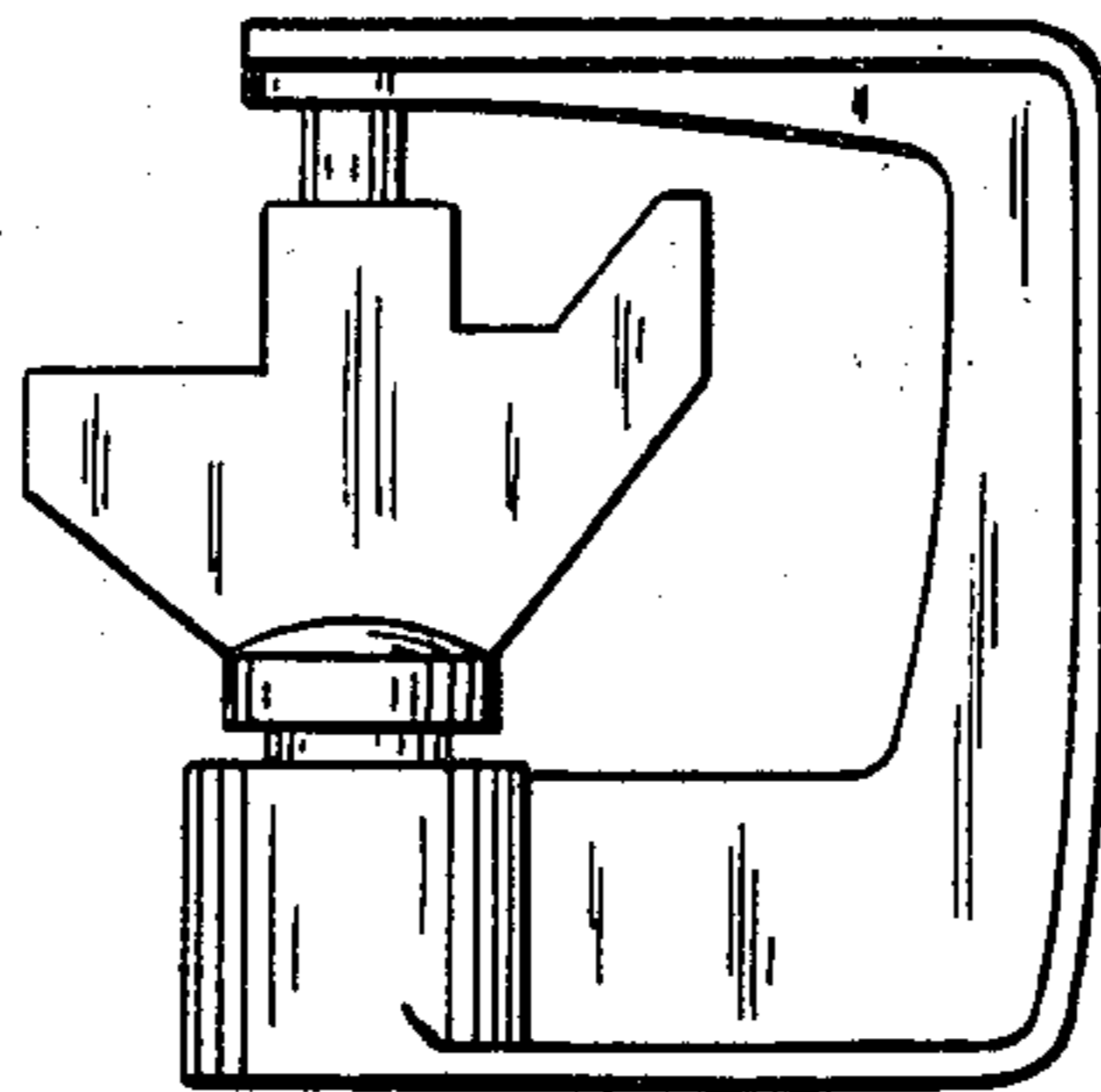


FIG. 6