

United States Patent [19]

Collinder

[11] Patent Number: **Des. 284,982**

[45] Date of Patent: **** Aug. 5, 1986**

[54] **MARKER**

[75] Inventor: **Knut H. Collinder, Åkarp, Sweden**

[73] Assignee: **Ingenjörfirma Knut Collinder AB, Åkarp, Sweden**

[**] Term: **14 Years**

[21] Appl. No.: **563,521**

[22] Filed: **Dec. 20, 1983**

[30] **Foreign Application Priority Data**

Jun. 23, 1983 [SE] Sweden 83-1723

[52] U.S. Cl. **D20/40; D20/42**

[58] Field of Search **D20/10, 12, 39-42; 40/584, 486, 611, 615, 617**

[56] **References Cited**

U.S. PATENT DOCUMENTS

1,257,989 3/1918 Ewing 40/486

1,411,559 4/1922 Ashcroft 40/486 X

2,538,381 1/1951 Radcliffe 40/486

FOREIGN PATENT DOCUMENTS

132755 7/1929 Switzerland 40/486

2136184 9/1984 United Kingdom 40/584

Primary Examiner—Catherine E. Kemper
Attorney, Agent, or Firm—Lowe Price LeBlanc Becker & Shur

[57] **CLAIM**

The ornamental design for a marker, as shown and described.

DESCRIPTION

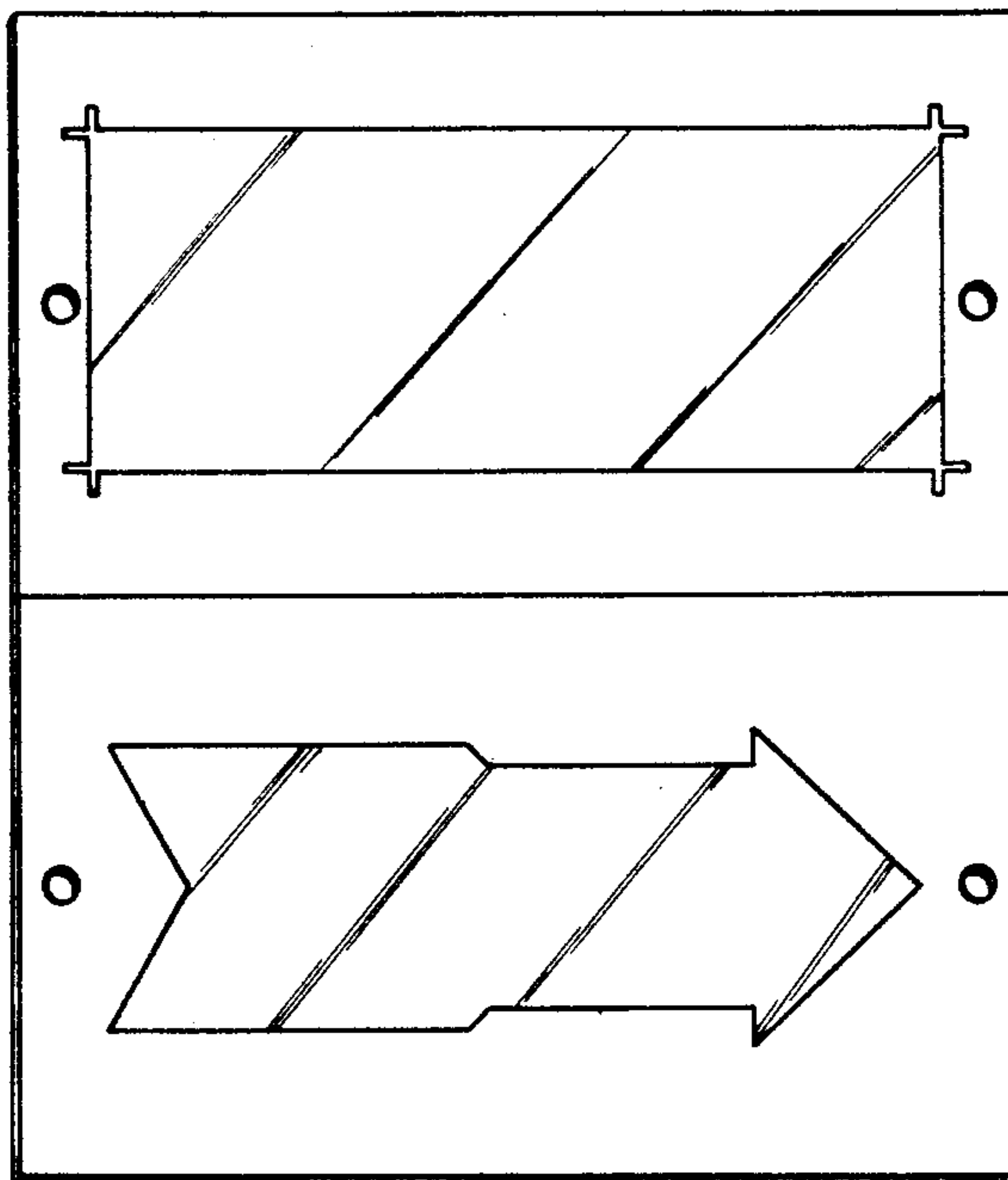
FIG. 1 is a top front perspective view of a marker, showing my new design;

FIG. 2 is a bottom front perspective view thereof;

FIG. 3 is a top front perspective view of the marker as it appears when folded;

FIG. 4 is a bottom front perspective view of the marker as it appears when folded.

The rear of the marker is substantially planar.



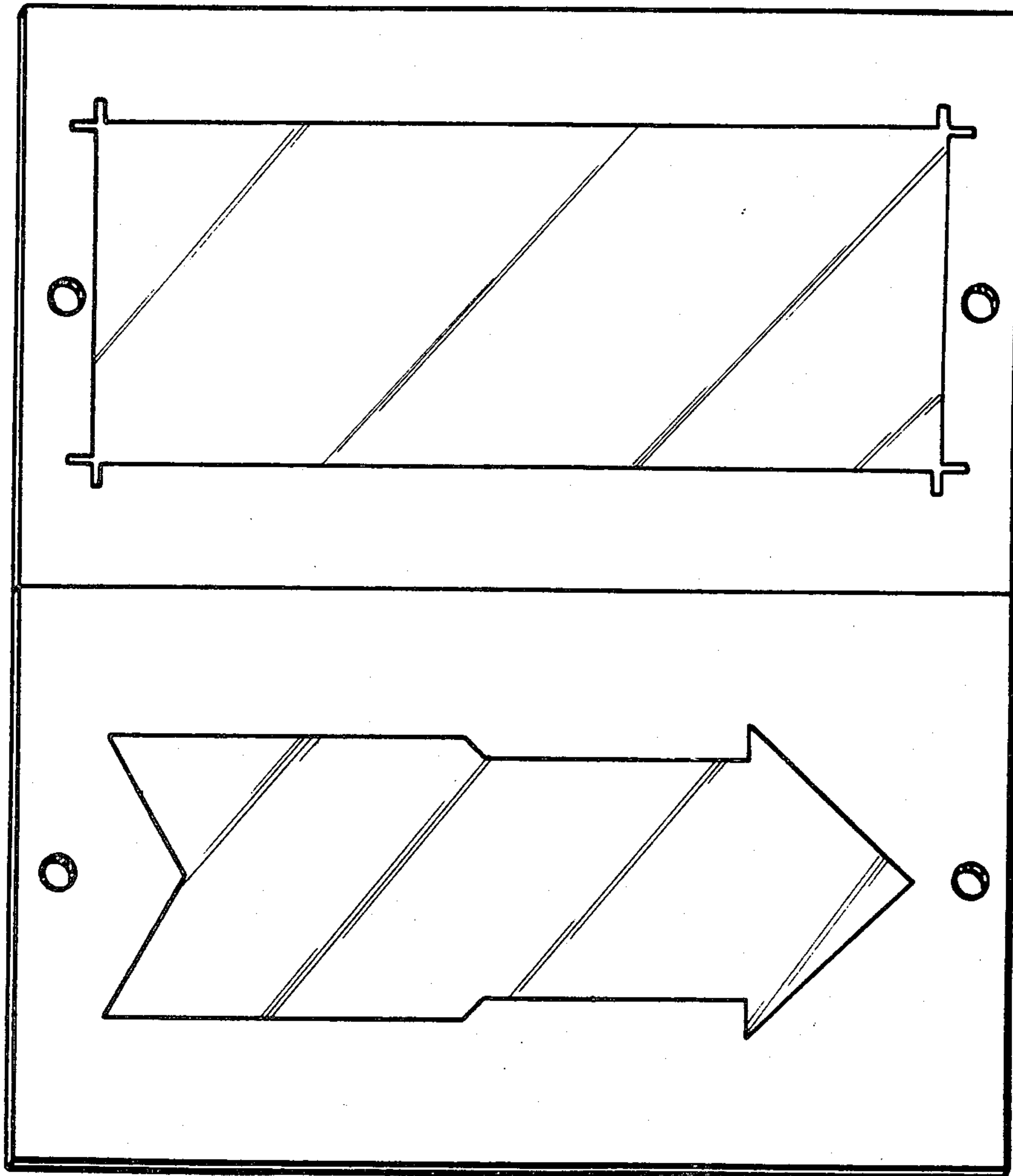


FIG.1

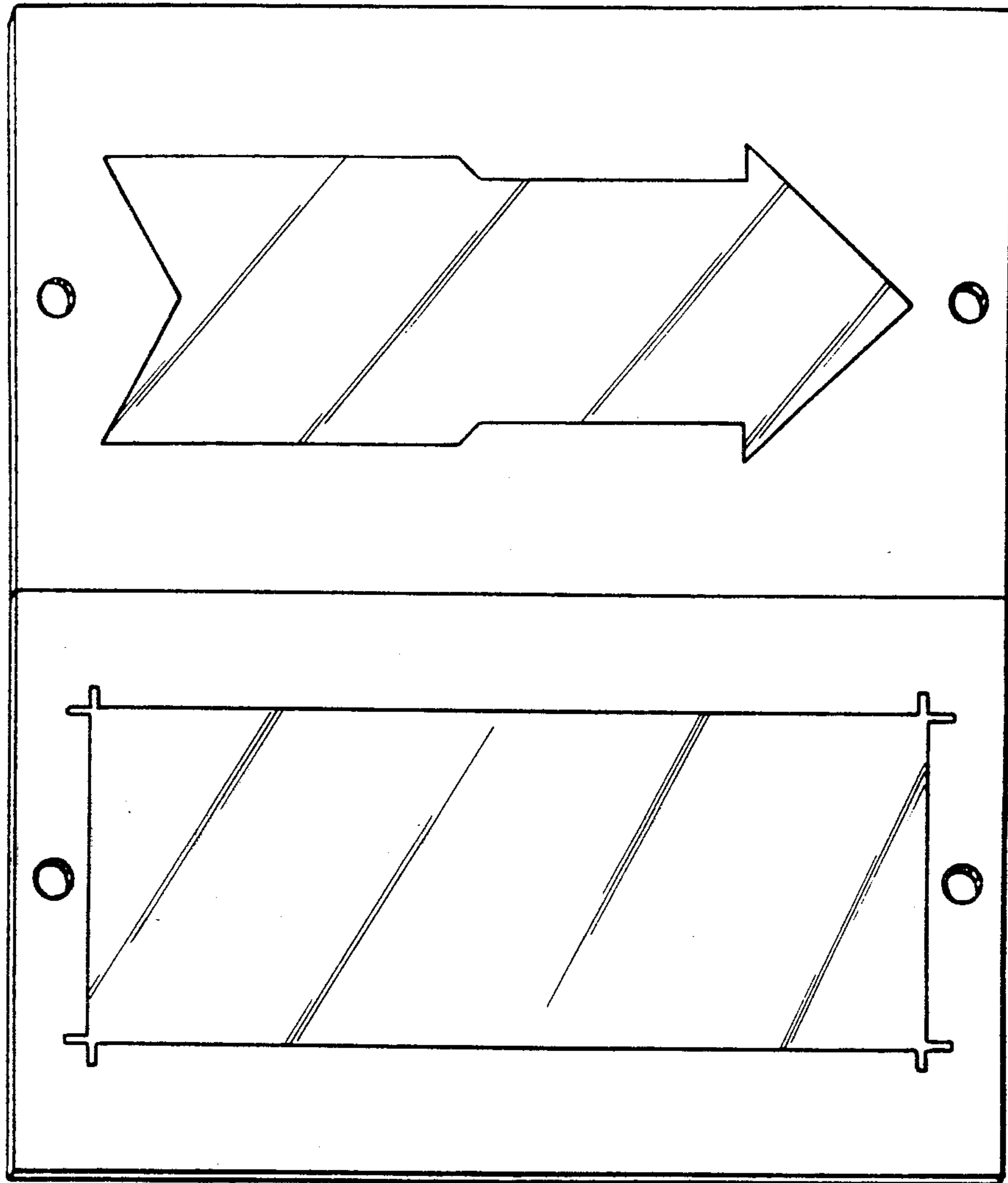


FIG. 2

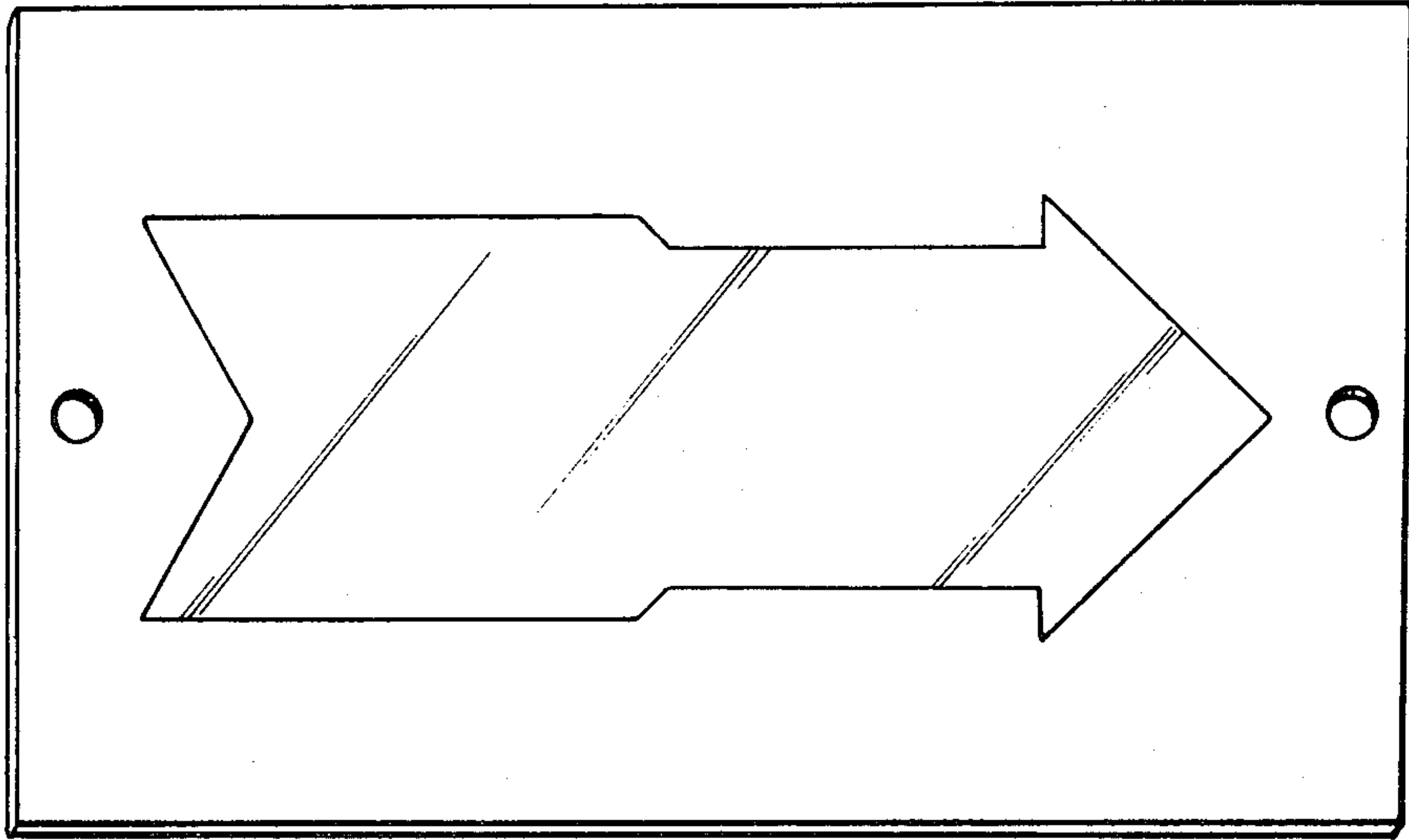


FIG. 3

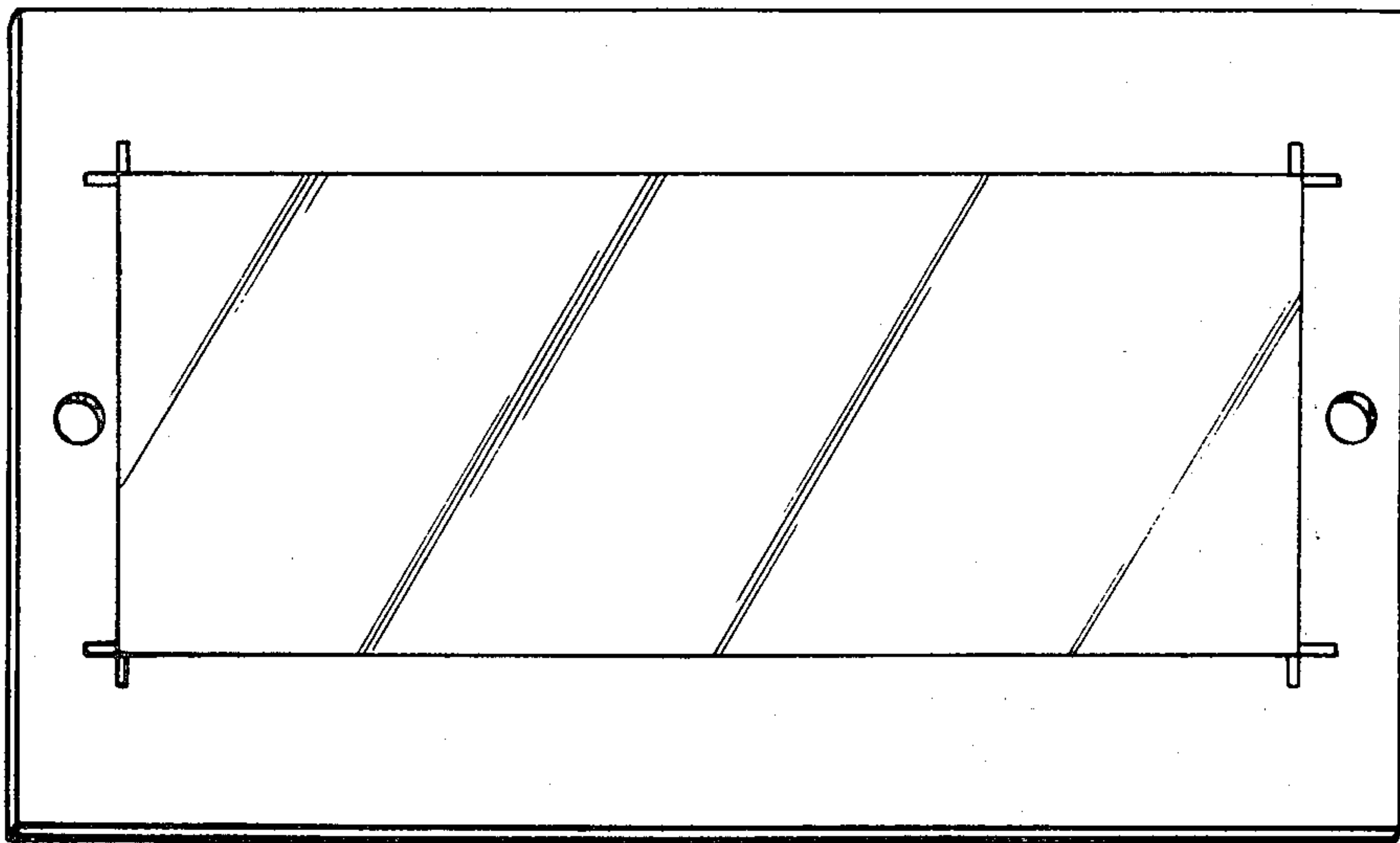


FIG. 4