

United States Patent [19]

Bossack et al.

[11] Patent Number: **Des. 284,979**

[45] Date of Patent: **** Aug. 5, 1986**

[54] **RIBBON CASSETTE OR SIMILAR ARTICLE**

[75] Inventors: **Thomas J. Bossack, Candor; Louis E. Shipos, Ithaca, both of N.Y.**

[73] Assignee: **NCR Corporation, Dayton, Ohio**

[**] Term: **14 Years**

[21] Appl. No.: **644,884**

[22] Filed: **Aug. 27, 1984**

[52] U.S. Cl. **D18/22**

[58] Field of Search D18/1, 2, 11, 12, 22;
D14/100, 114; 400/144.2, 144.3, 175, 196,
196.1, 207, 208, 208.1; 242/55.19 A, 197-200

[56] **References Cited**

U.S. PATENT DOCUMENTS

| | | | | |
|------------|---------|----------------|-------|----------|
| D. 92,699 | 7/1934 | Budlong | | D18/2 |
| D. 275,296 | 8/1984 | Katori | | D18/22 X |
| D. 280,212 | 8/1985 | Bossack et al. | | D18/22 |
| 3,904,017 | 9/1975 | Frechette | | 197/151 |
| 3,918,569 | 11/1975 | Parker | | 197/168 |
| 3,941,231 | 3/1976 | Matuck | | 197/151 |

| | | | | |
|-----------|--------|---------|-------|-----------|
| 3,974,906 | 8/1976 | Lec | | 197/168 |
| 4,088,218 | 5/1978 | Depew | | 400/208 |
| 4,161,270 | 7/1979 | Casey | | 226/118 |
| 4,203,676 | 5/1980 | Hatsell | | 400/208 |
| 4,279,522 | 7/1981 | Yonkers | | 400/196.1 |
| 4,284,364 | 8/1981 | Rello | | 400/234 |

Primary Examiner—Louis S. Zarfes

Attorney, Agent, or Firm—Wilbert Hawk, Jr.; Albert L. Sessler, Jr.; George J. Muckenthaler

[57] CLAIM

The ornamental design for a ribbon cassette or similar article, substantially as shown and described.

DESCRIPTION

FIG. 1 is a top plan view of a ribbon cassette or similar article showing our new design;

FIG. 2 is a bottom plan view of the ribbon cassette shown in FIG. 1;

FIG. 3 is a front elevational view of the ribbon cassette;

FIG. 4 is a rear elevational view of the ribbon cassette;

FIG. 5 is a right side elevational view; and

FIG. 6 is a left side elevational view.

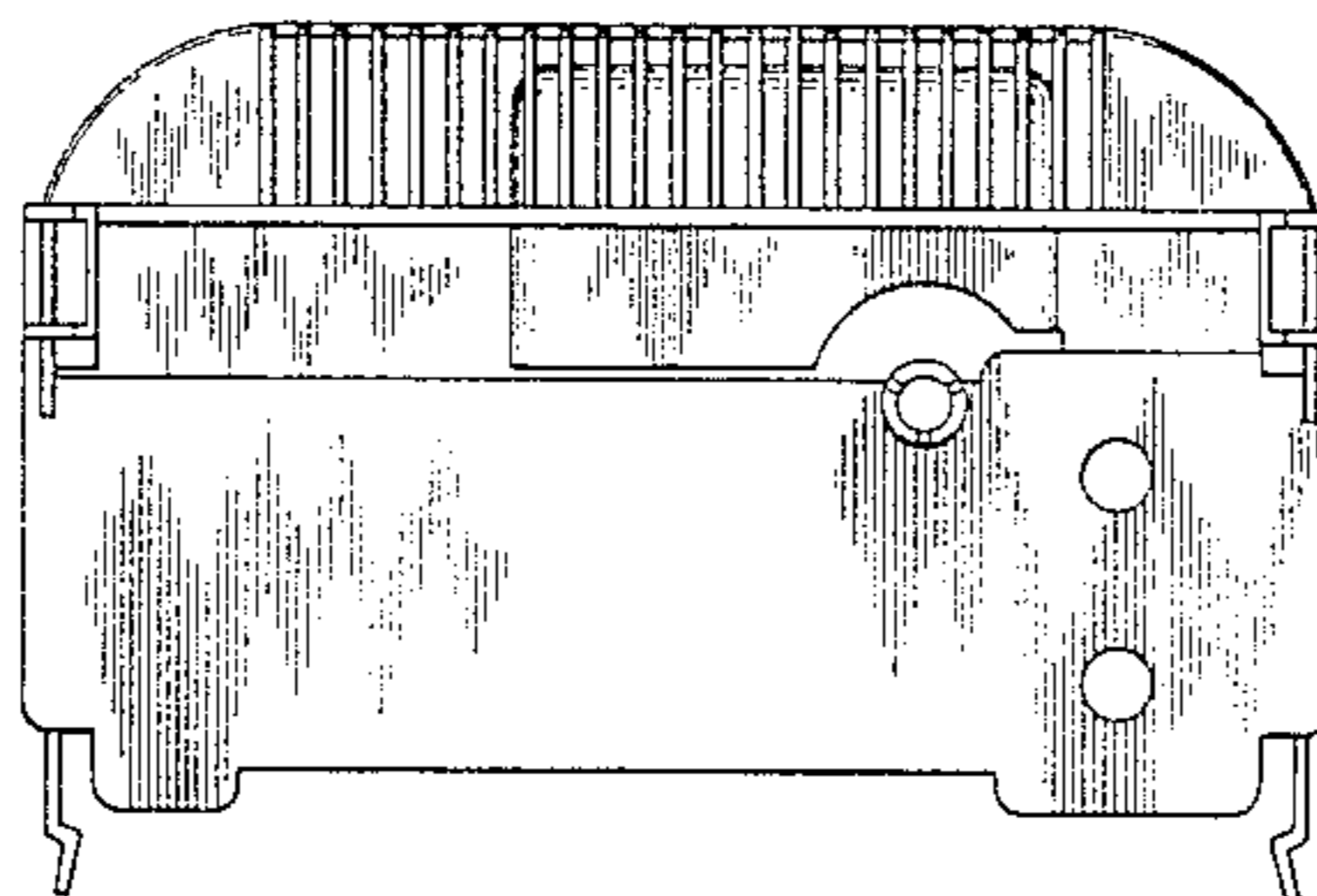
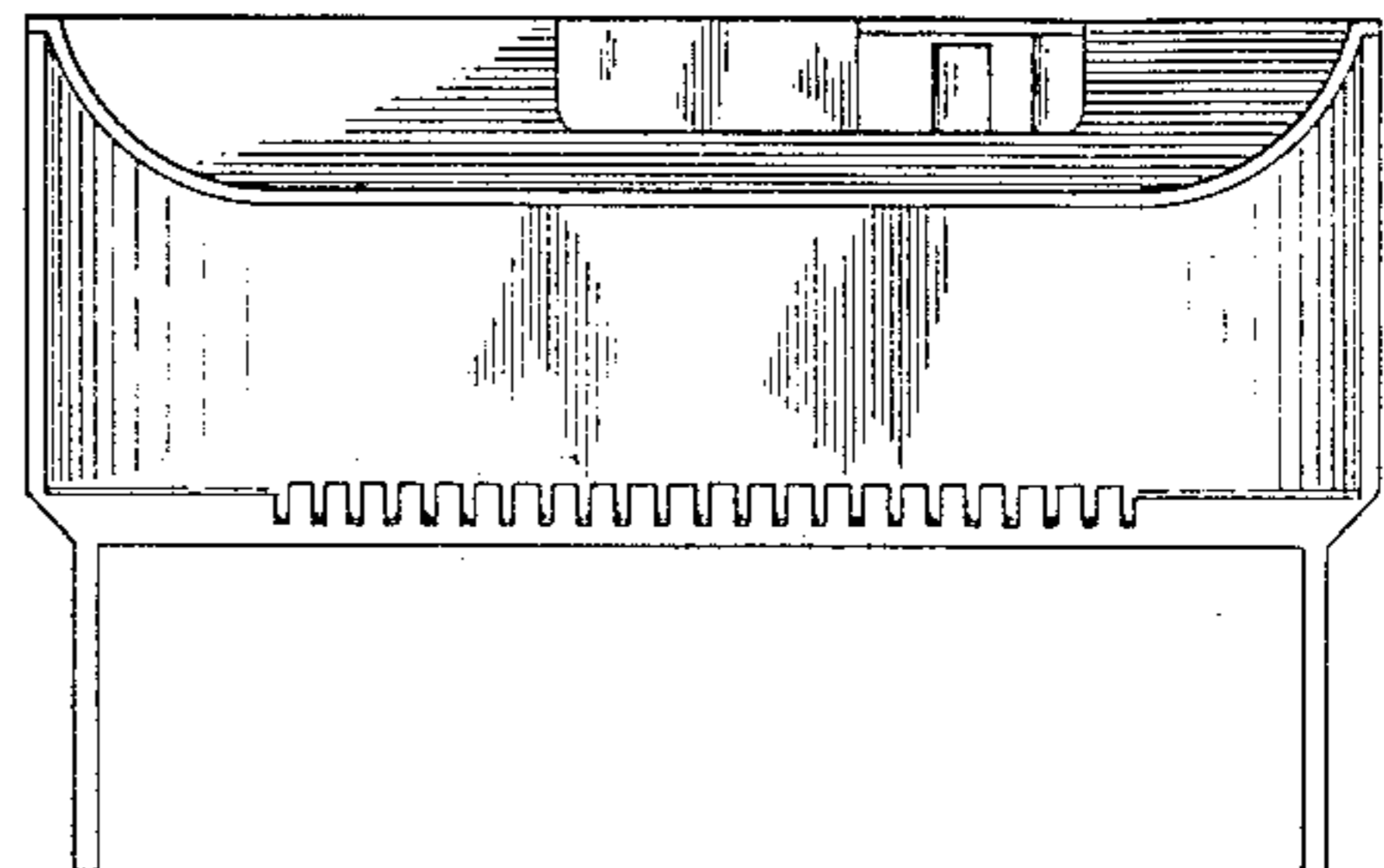
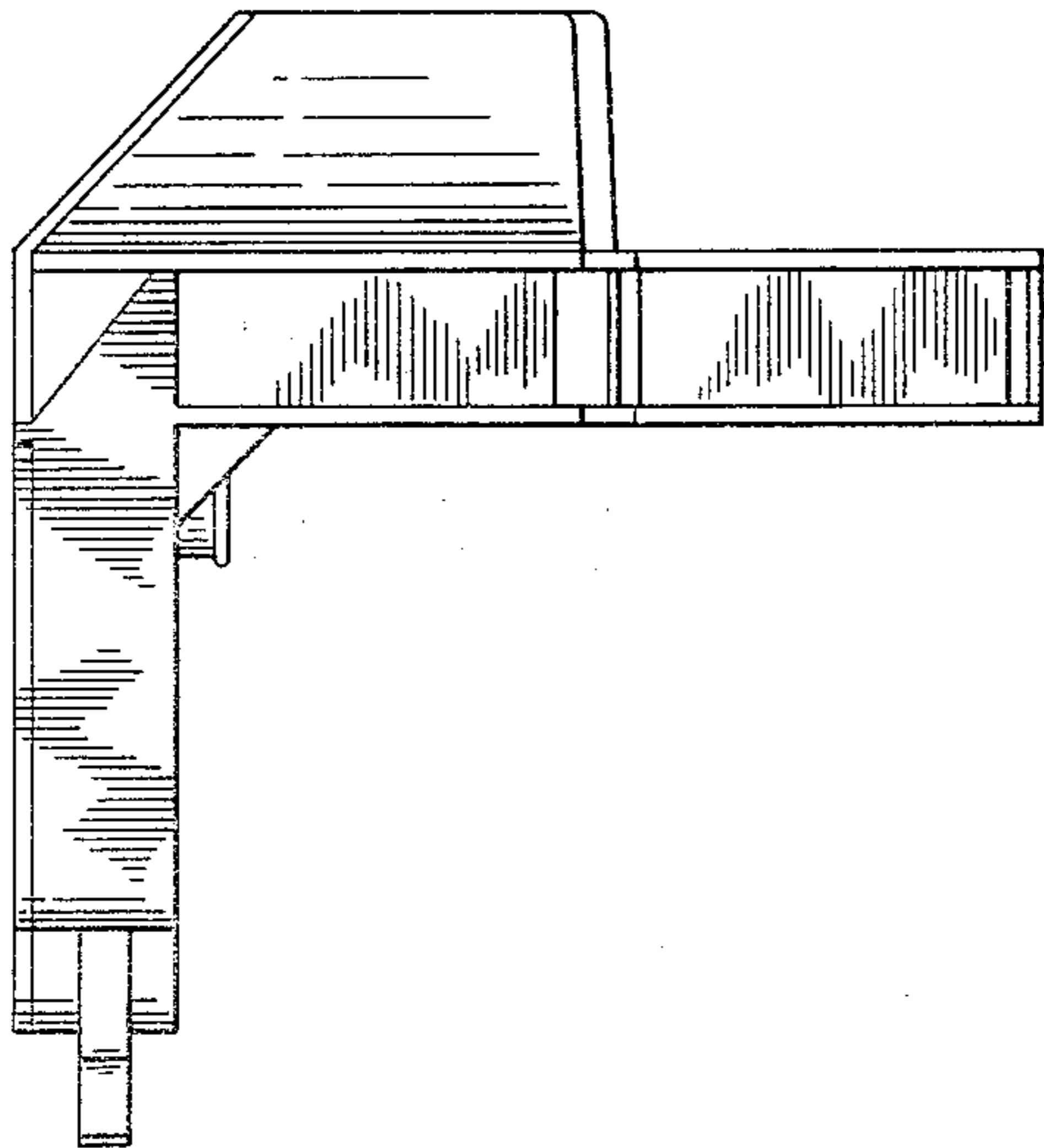


FIG. 1

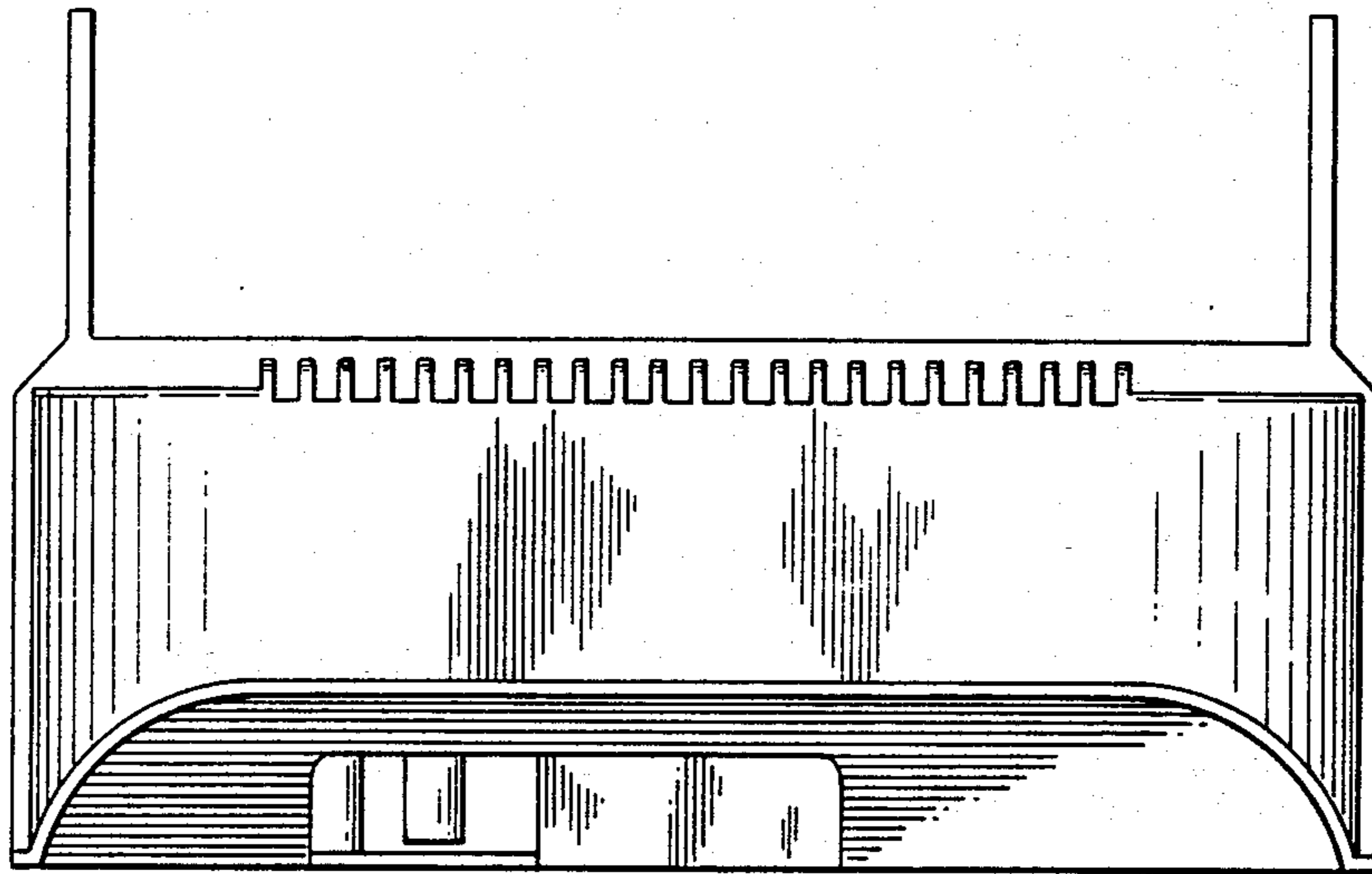


FIG. 2

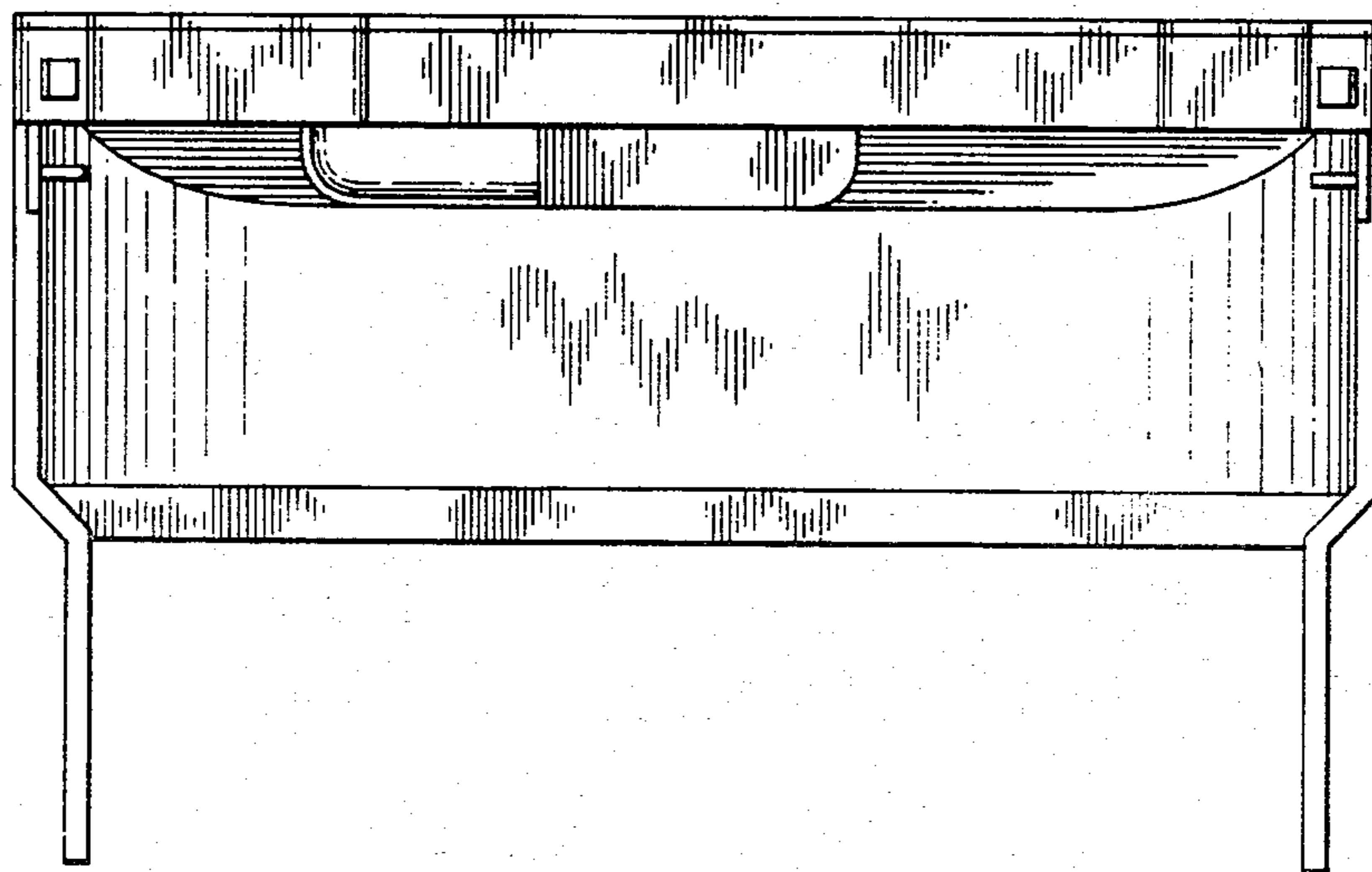


FIG. 3

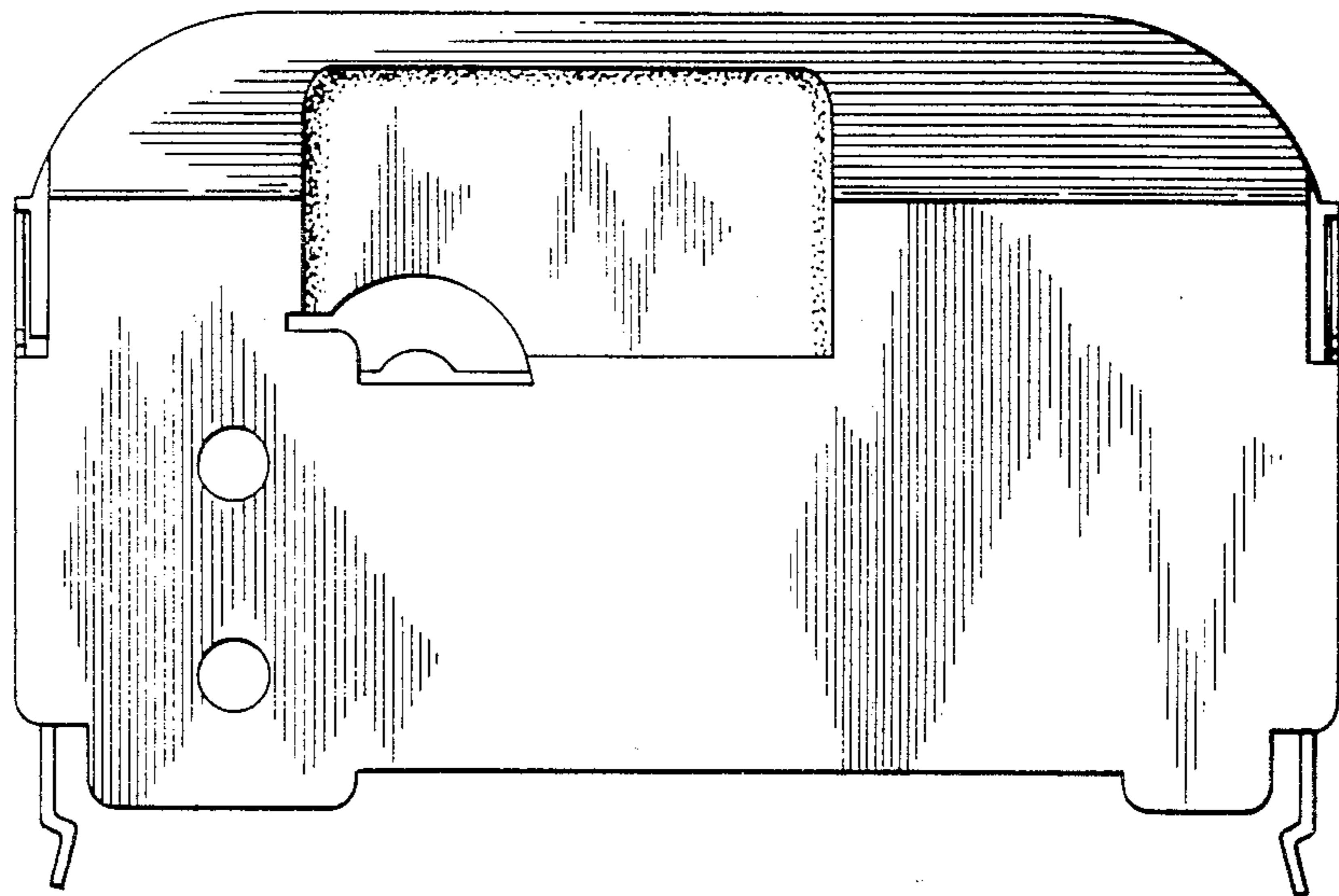


FIG. 4

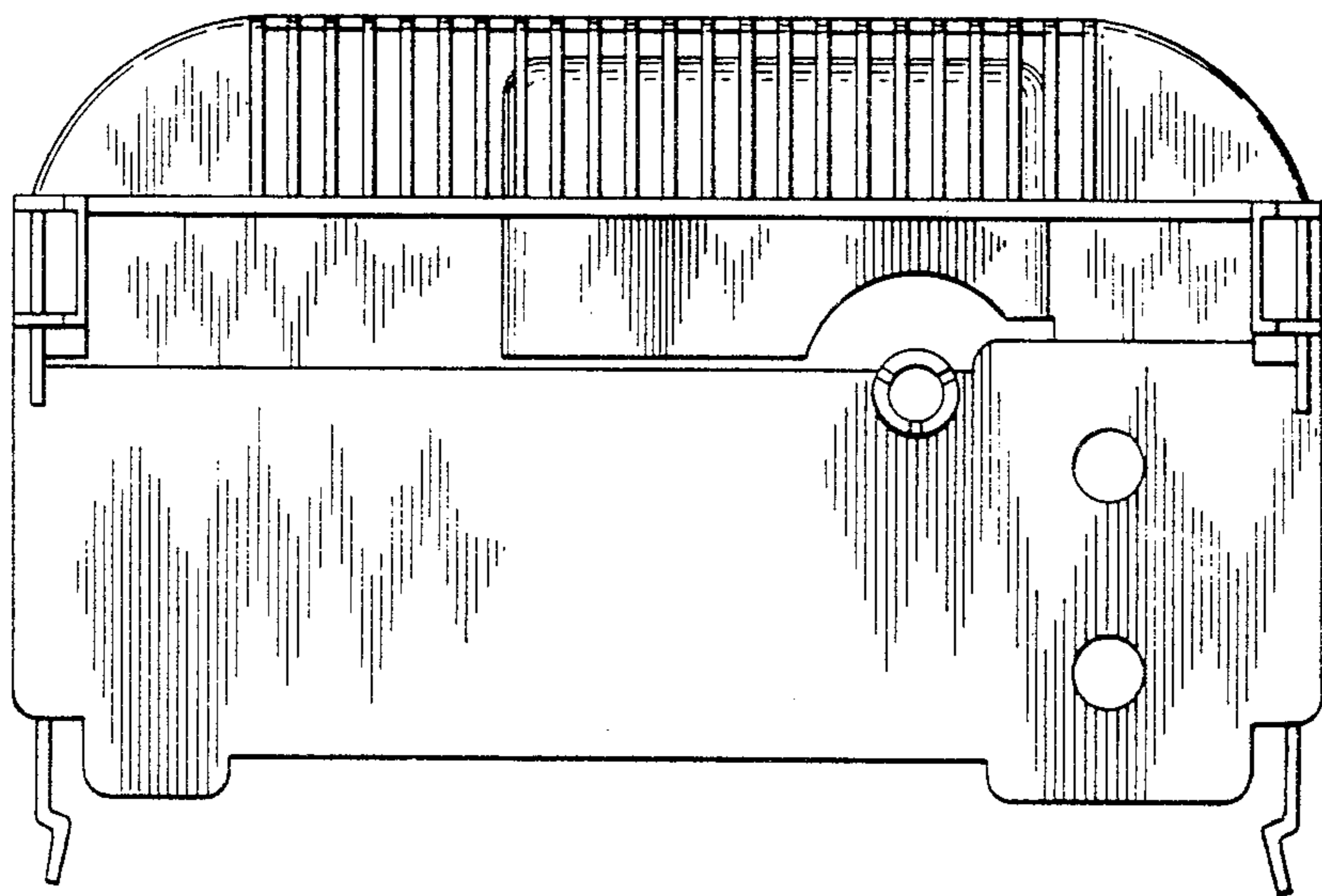


FIG. 5

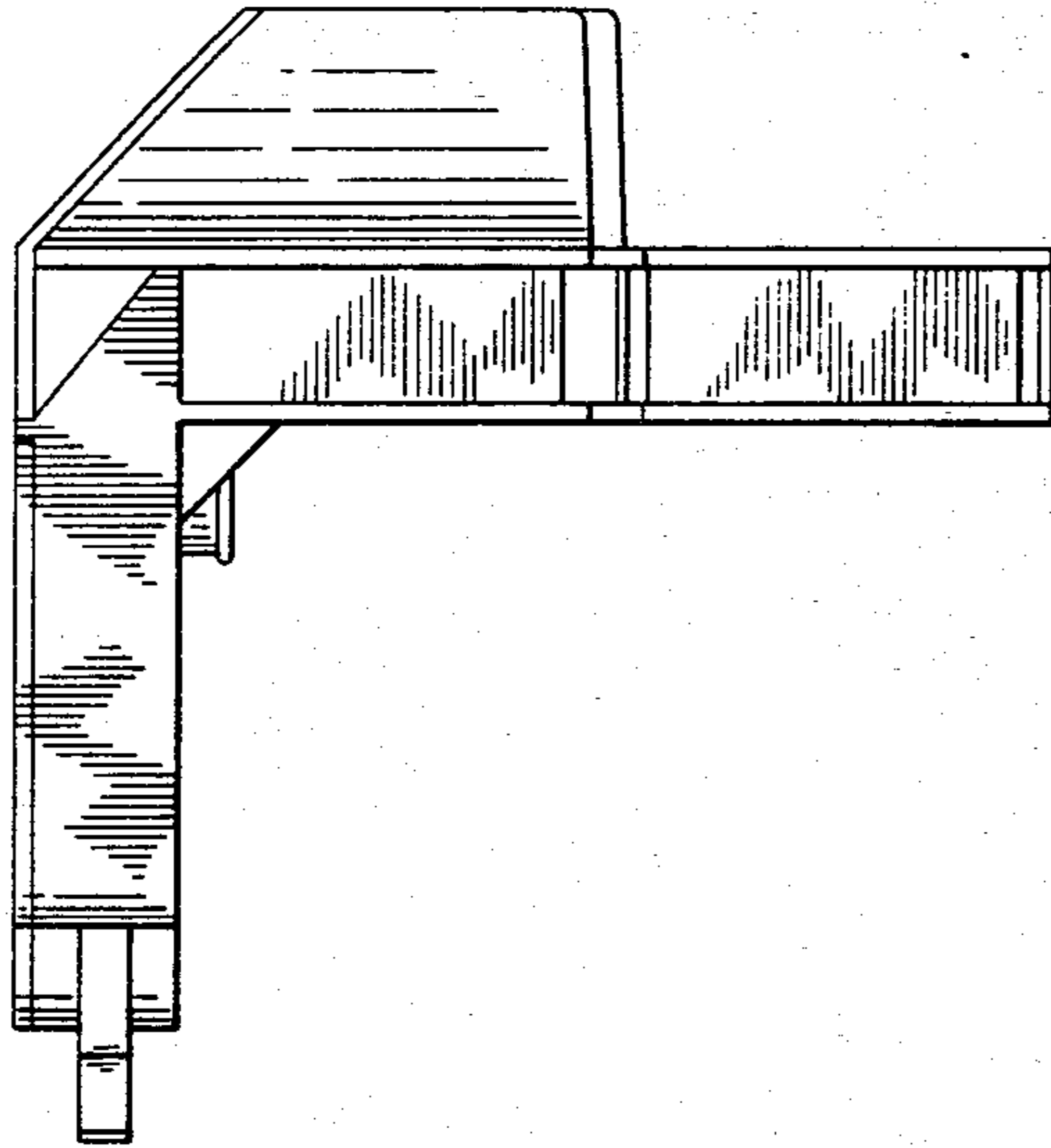


FIG. 6

