

# United States Patent [19]

Simmons

[11] Patent Number: **Des. 284,977**

[45] Date of Patent: **\*\* Aug. 5, 1986**

[54] MIMEOGRAPHER

[76] Inventor: **Raymond B. Simmons**, 1570 Hudson Ave., San Francisco, Calif. 94124

[\*\*] Term: **14 Years**

[21] Appl. No.: **12,442**

[22] Filed: **Feb. 15, 1979**

[52] U.S. Cl. .... **D18/18**

[58] Field of Search ..... **D18/14, 15, 17, 18;**  
118/264, 269, 270; 101/125-127, 128.21, 128.4

[56] **References Cited**

**U.S. PATENT DOCUMENTS**

806,738 12/1905 Edmund ..... 101/125

826,733 7/1906 Moore ..... 101/125  
2,132,719 10/1938 Bright ..... 101/125  
2,424,988 8/1947 Johnson ..... 101/125

*Primary Examiner*—Louis S. Zarfes

[57] **CLAIM**

The ornamental design for a mimeograph, as shown and described.

### DESCRIPTION

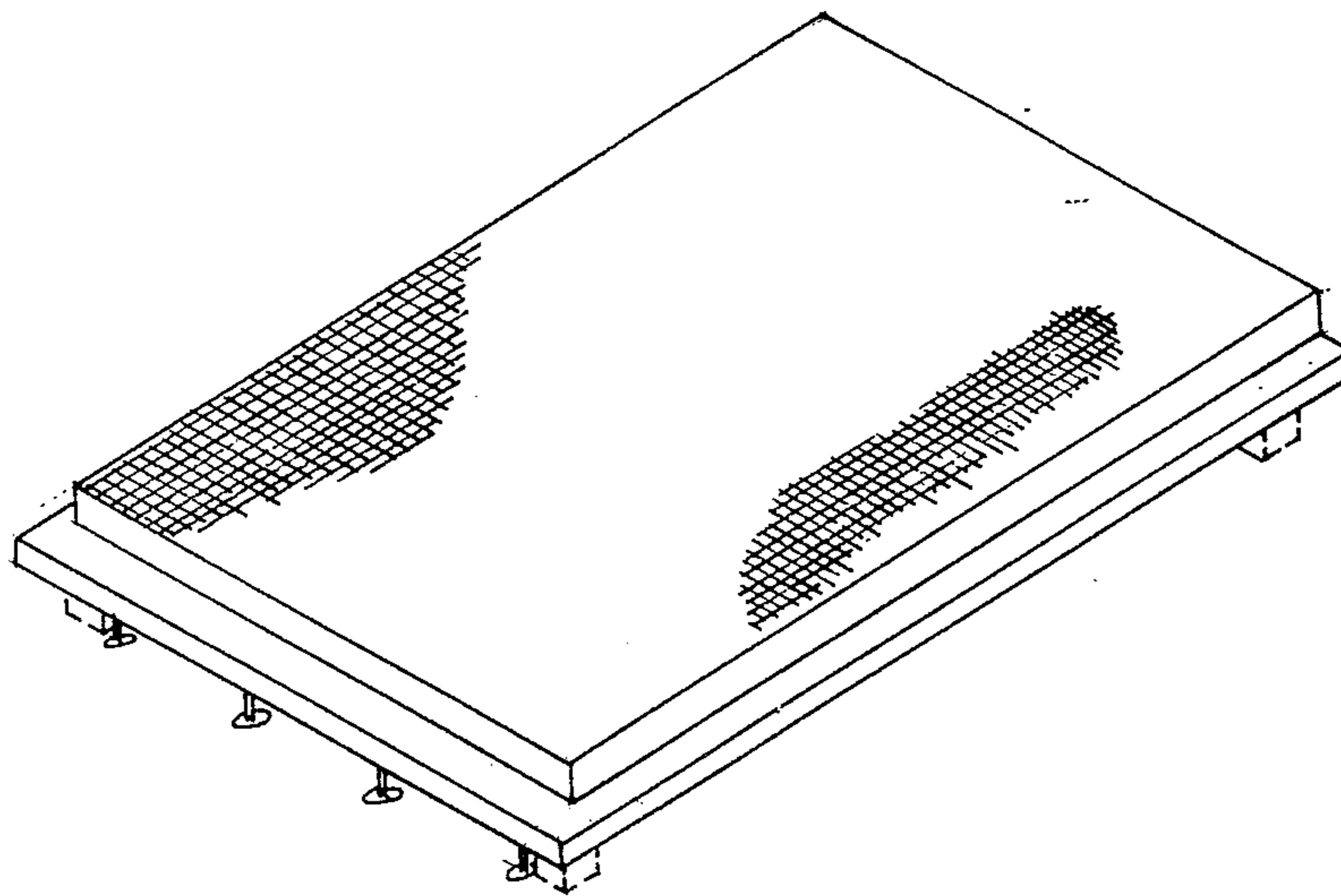
FIG. 1 is a perspective view of a mimeograph showing my new design;

FIG. 2 is a top plan view;

FIG. 3 is a front elevational view; and

FIG. 4 is a side elevational view.

The broken line showing of legs is for illustrative purposes only and forms no part of the claimed design.



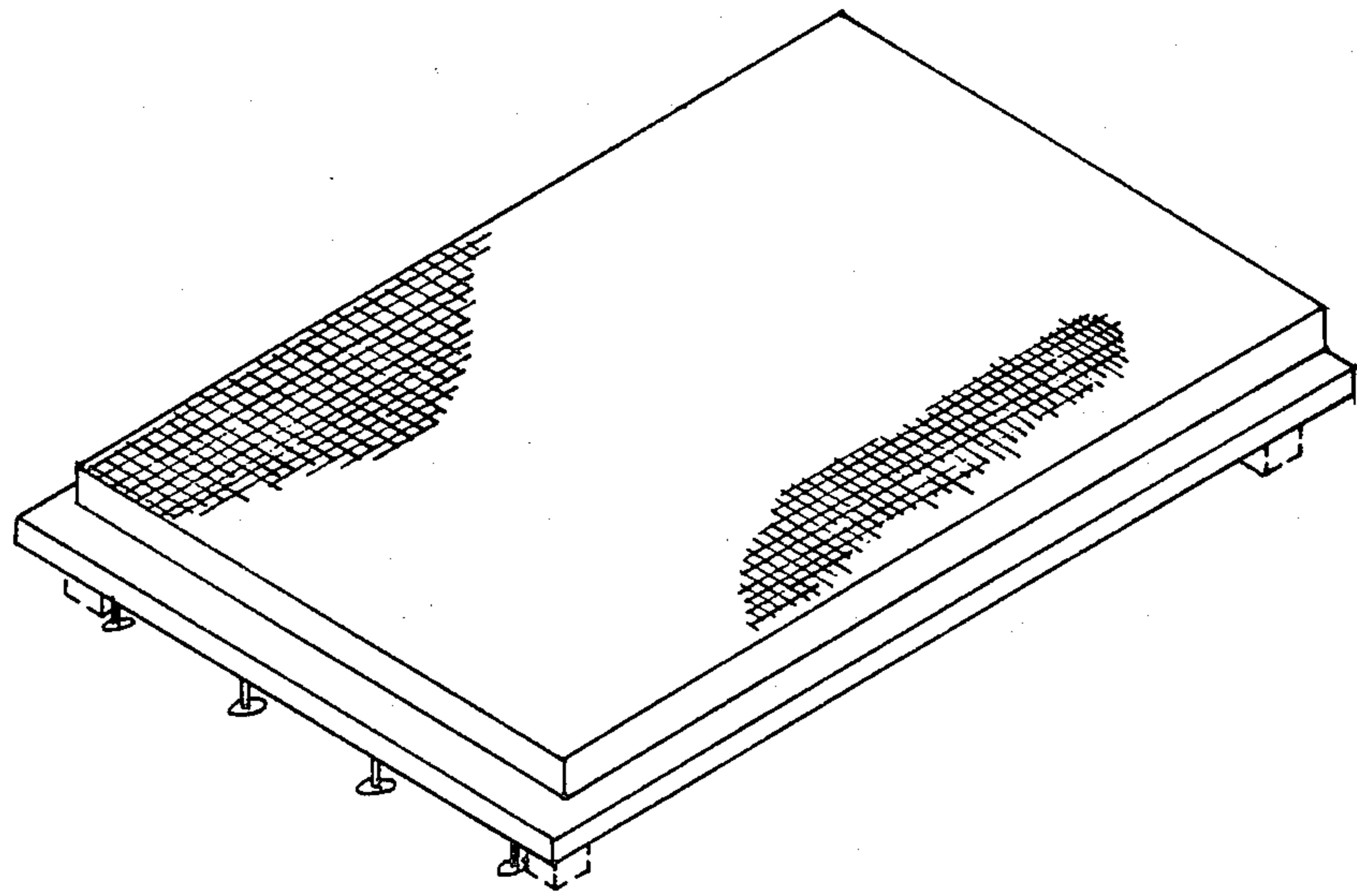


FIGURE 1

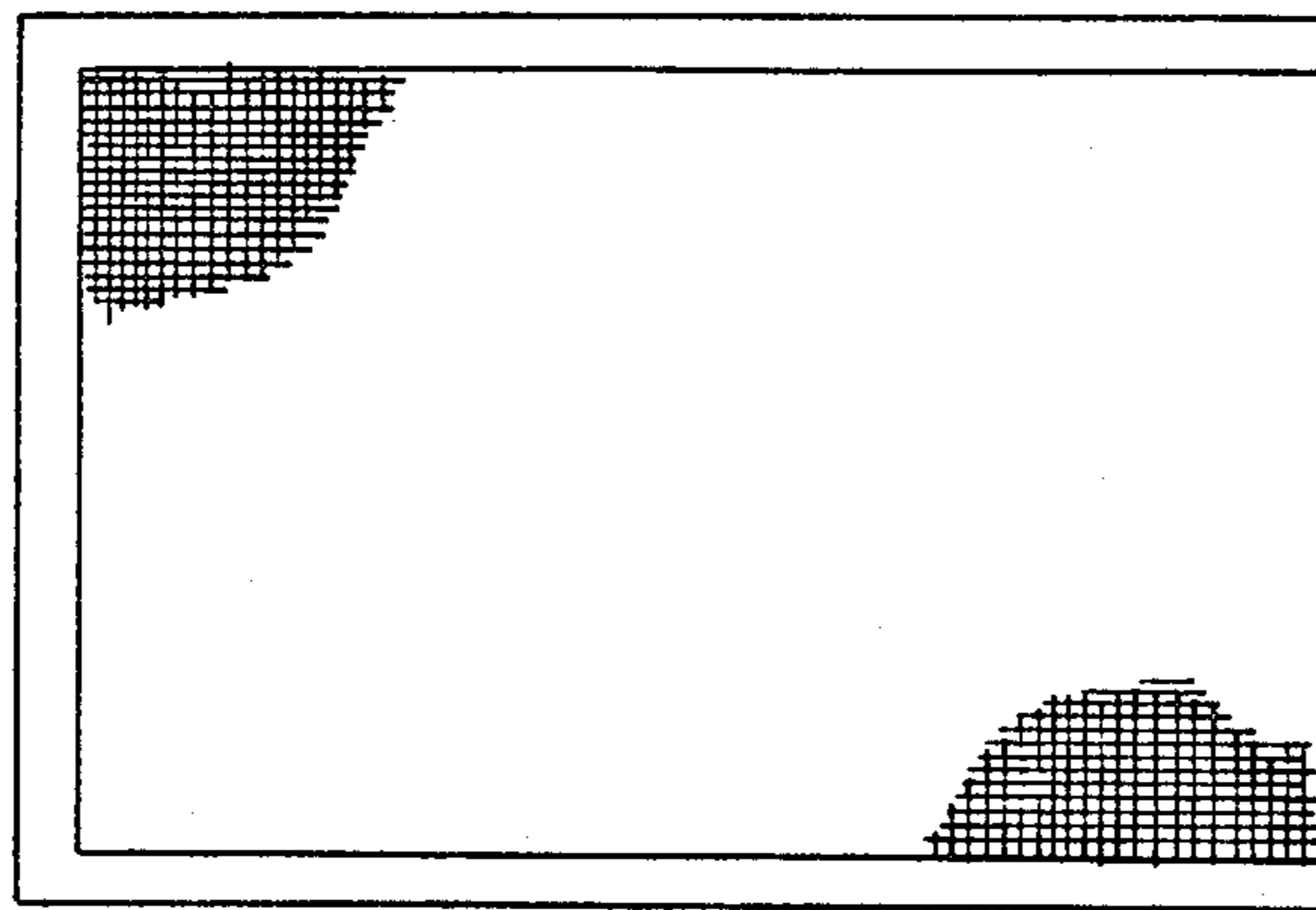


FIGURE 2

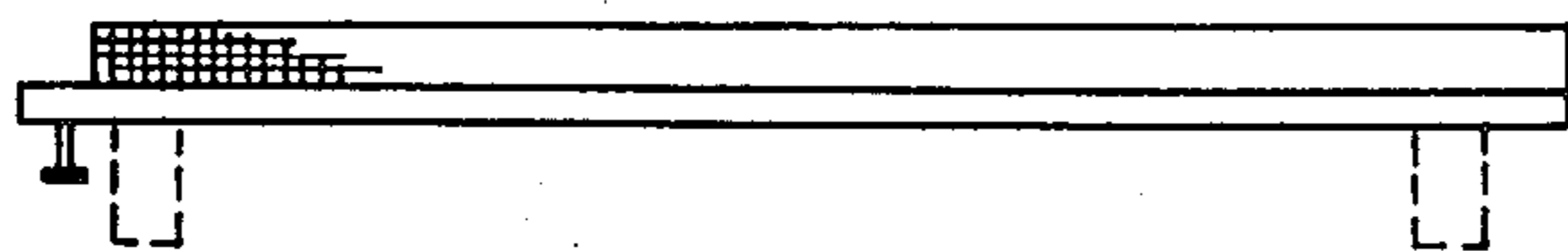


FIGURE 3

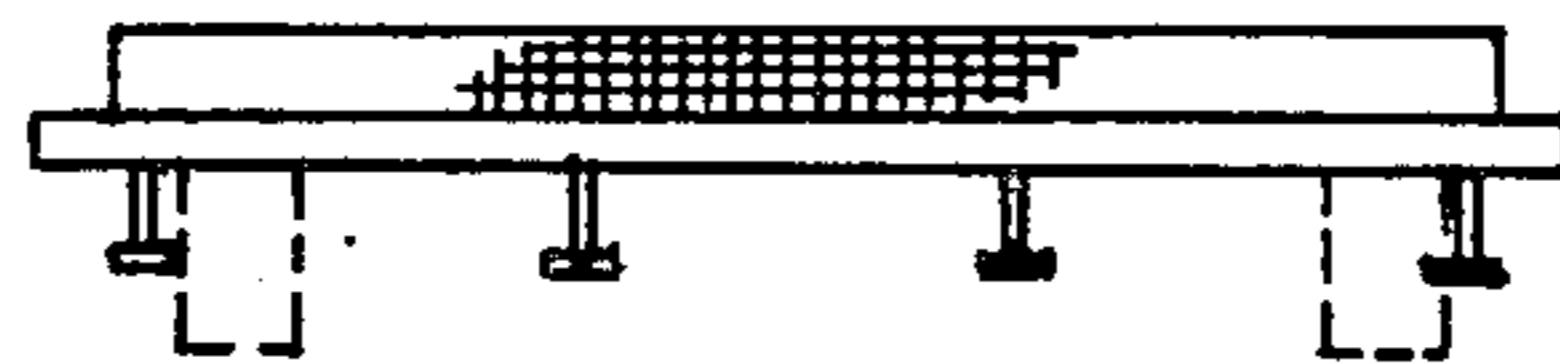


FIGURE 4