

United States Patent [19]

Deason

[11] Patent Number: **Des. 284,971**

[45] Date of Patent: **** Aug. 5, 1986**

[54] **MOLD FOR FORMING SWIMMING POOL COPING**

[76] Inventor: **Max W. Deason**, 1818 W. Price St., Tucson, Ariz. 85705

[**] Term: **14 Years**

[21] Appl. No.: **481,669**

[22] Filed: **Apr. 4, 1983**

[52] U.S. Cl. **D15/136**

[58] Field of Search **D15/136; D25/74; 249/10, 19, DIG. 3**

[56] **References Cited**

U.S. PATENT DOCUMENTS

3,526,070 9/1970 Deason 249/19
3,904,717 9/1975 Stegmeier 249/DIG. 3

3,967,422 7/1976 Stegmeier 249/19
4,387,877 6/1983 Deason 249/DIG. 3
4,395,014 7/1983 Deason 249/DIG. 3

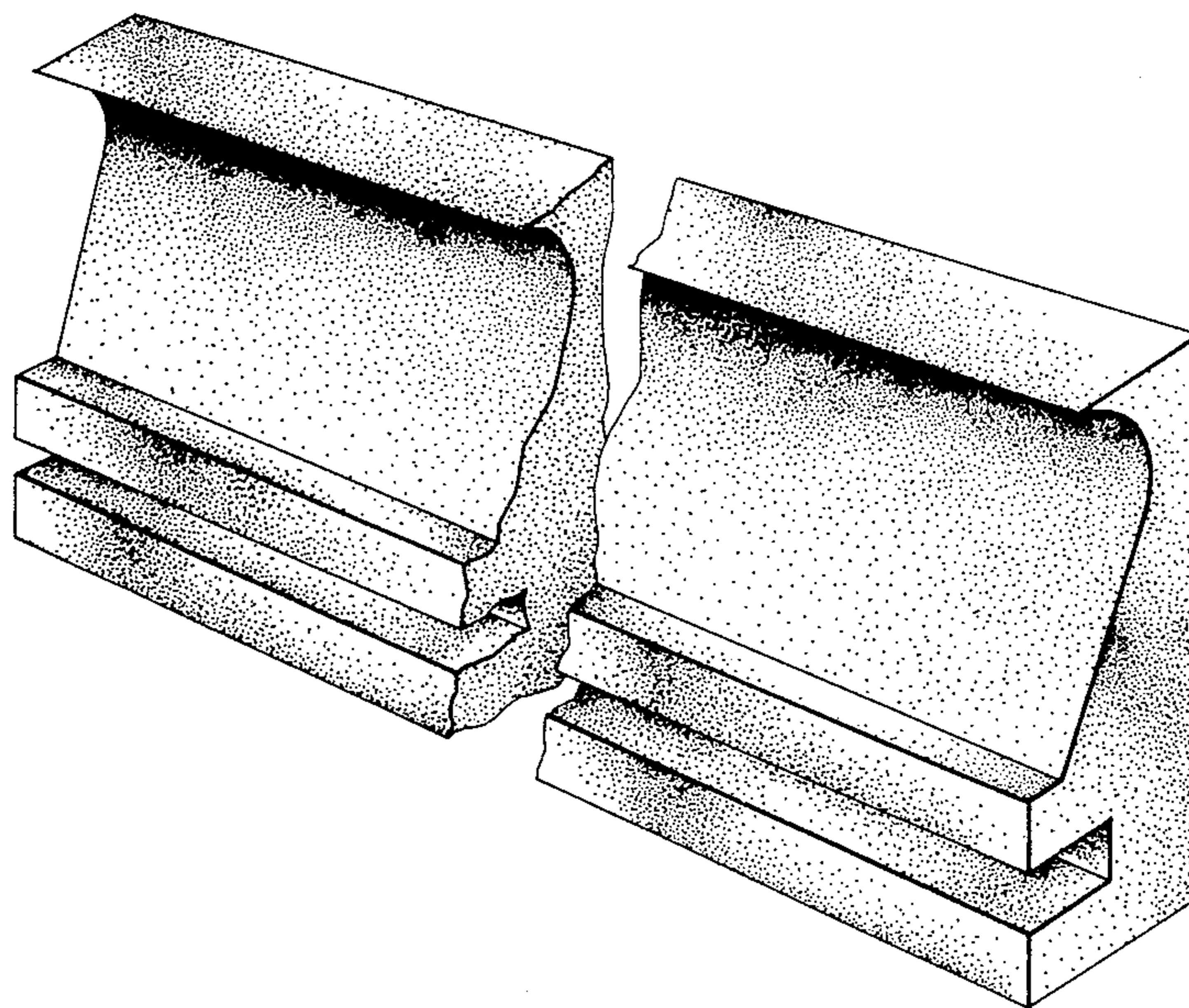
Primary Examiner—B. J. Bullock
Attorney, Agent, or Firm—Drummond & Nissle

[57] **CLAIM**

The ornamental design for a mold for forming swimming pool coping, as shown and described.

DESCRIPTION

FIG. 1 is a perspective view of a mold for forming swimming pool coping showing my new design, shown broken away to indeterminate length;
FIG. 2 is a fragmentary reduced top view thereof;
FIG. 3 is a fragmentary reduced bottom view thereof;
FIG. 4 is a reduced front view thereof; and,
FIG. 5 is a reduced fragmentary rear view thereof.



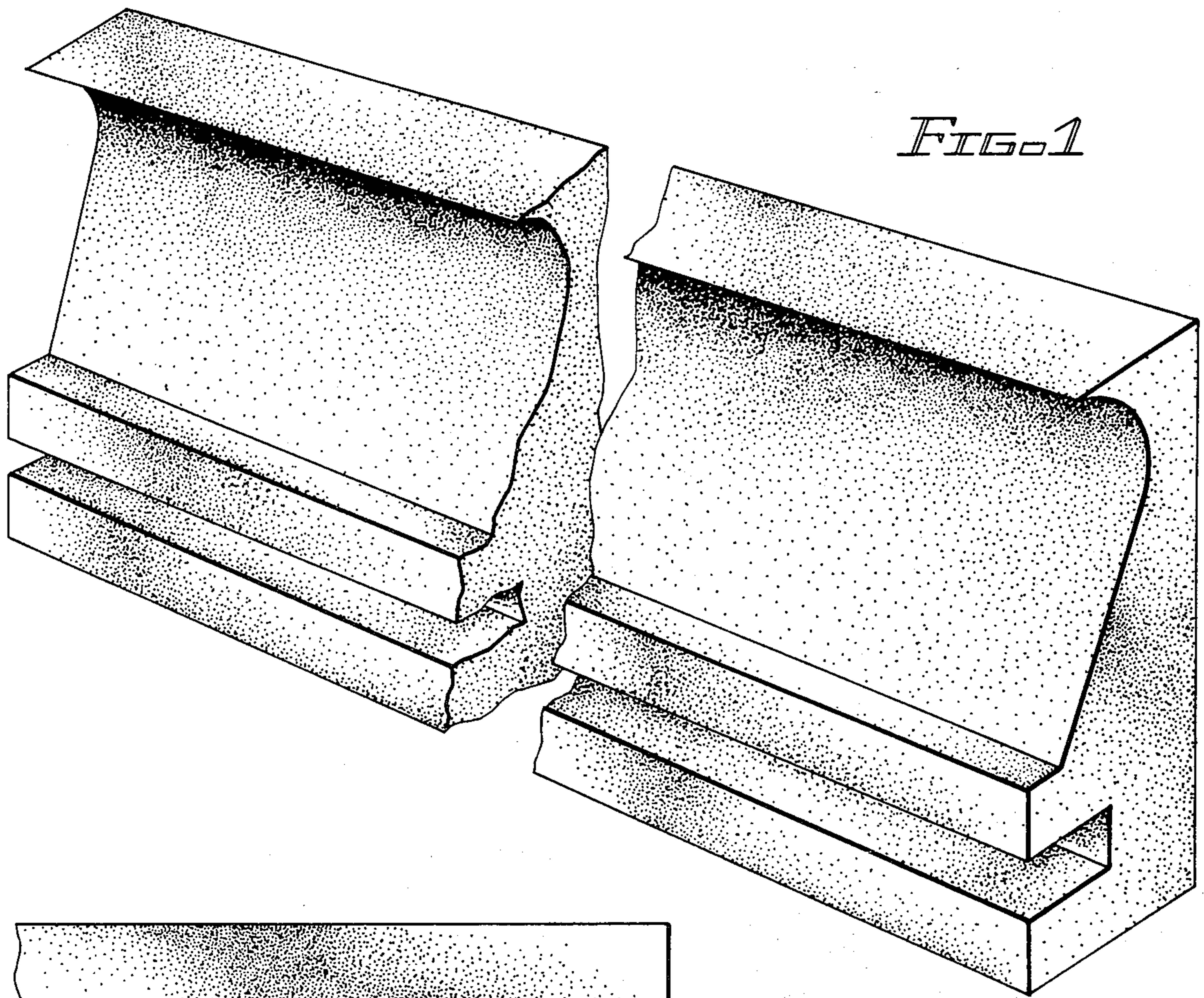


FIG. 1

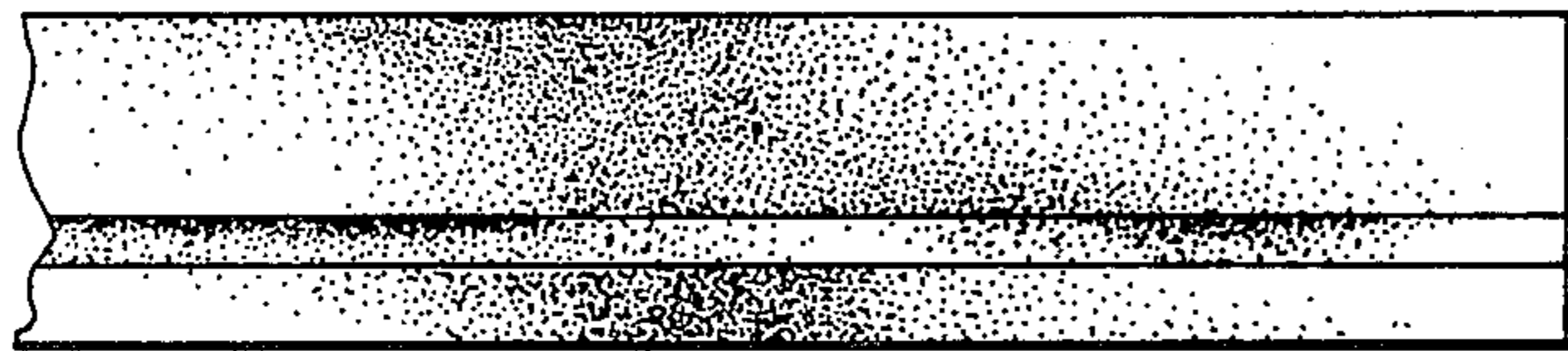


FIG. 2



FIG. 3

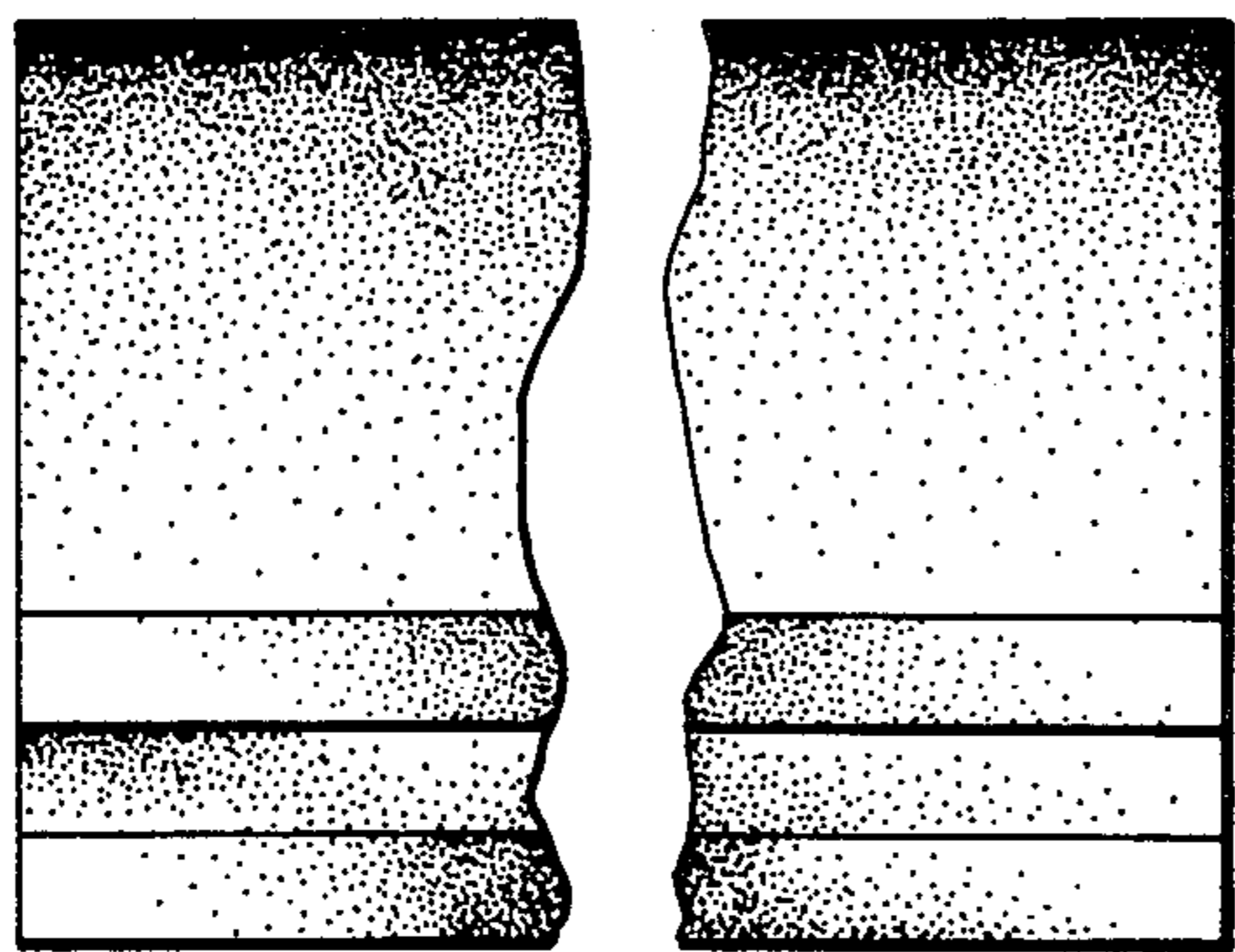


FIG. 4

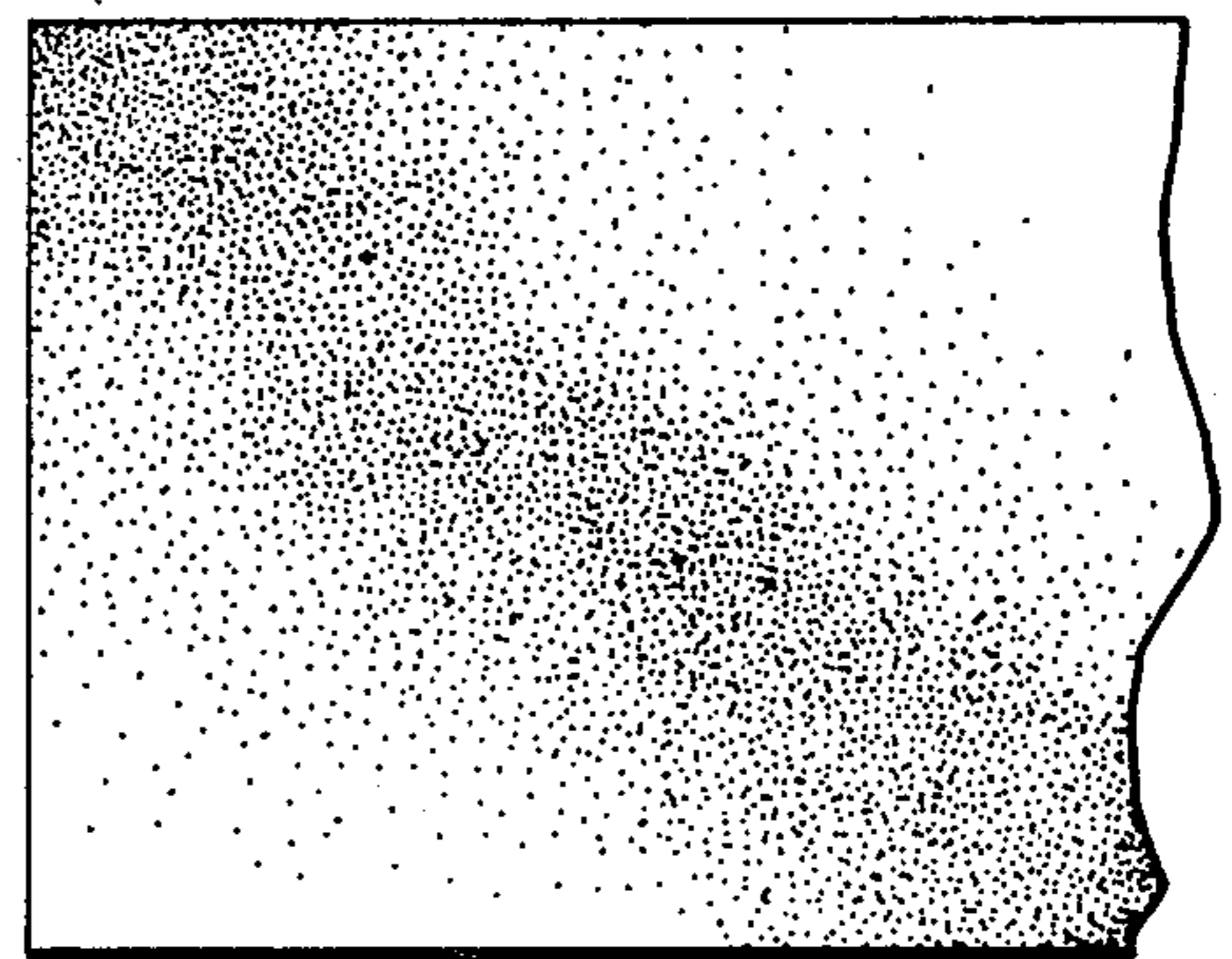


FIG. 5