

[54] HAND-DRILL PRESS STAND  
[75] Inventor: Friedrich Wolff, Remscheid, Fed. Rep. of Germany

D. 273,496 4/1984 House, II ..... D15/132  
3,837,757 9/1974 Levine ..... 408/236  
4,118,141 10/1978 Spohn, Jr. .... 408/236

[73] Assignee: Werkzeug GmbH, Fed. Rep. of Germany

OTHER PUBLICATIONS

Shopmate Power Tool Catalog 226-73A; p. 3, Drill Press 2450.

[\*\*] Term: 14 Years

Primary Examiner—B. J. Bullock  
Attorney, Agent, or Firm—Antonelli, Terry & Wands

[21] Appl. No.: 629,047

[57] CLAIM

[22] Filed: Jul. 9, 1984

The ornamental design for a hand-drill press stand, as shown and described.

[30] Foreign Application Priority Data

Feb. 8, 1984 [DE] Fed. Rep. of Germany ... 5 MR 254

[52] U.S. Cl. .... D15/132

[58] Field of Search ..... D15/132; 29/26 R;  
408/87, 90, 135, 234, 236

DESCRIPTION

FIG. 1 is a front perspective view of the hand-drill press stand showing my new design;  
FIG. 2 is a left side perspective view thereof;  
FIG. 3 is a right side perspective view thereof;  
FIG. 4 is a rear perspective view thereof;  
FIG. 5 is a top plan view thereof, the bottom being unornamented;  
FIG. 6 is a front perspective view with the drill holder block turned ninety degrees.

[56] References Cited

U.S. PATENT DOCUMENTS

D. 233,168 10/1974 Adams ..... D15/132  
D. 267,011 11/1982 Morris ..... D15/132  
D. 267,492 1/1983 Schieber ..... D15/132

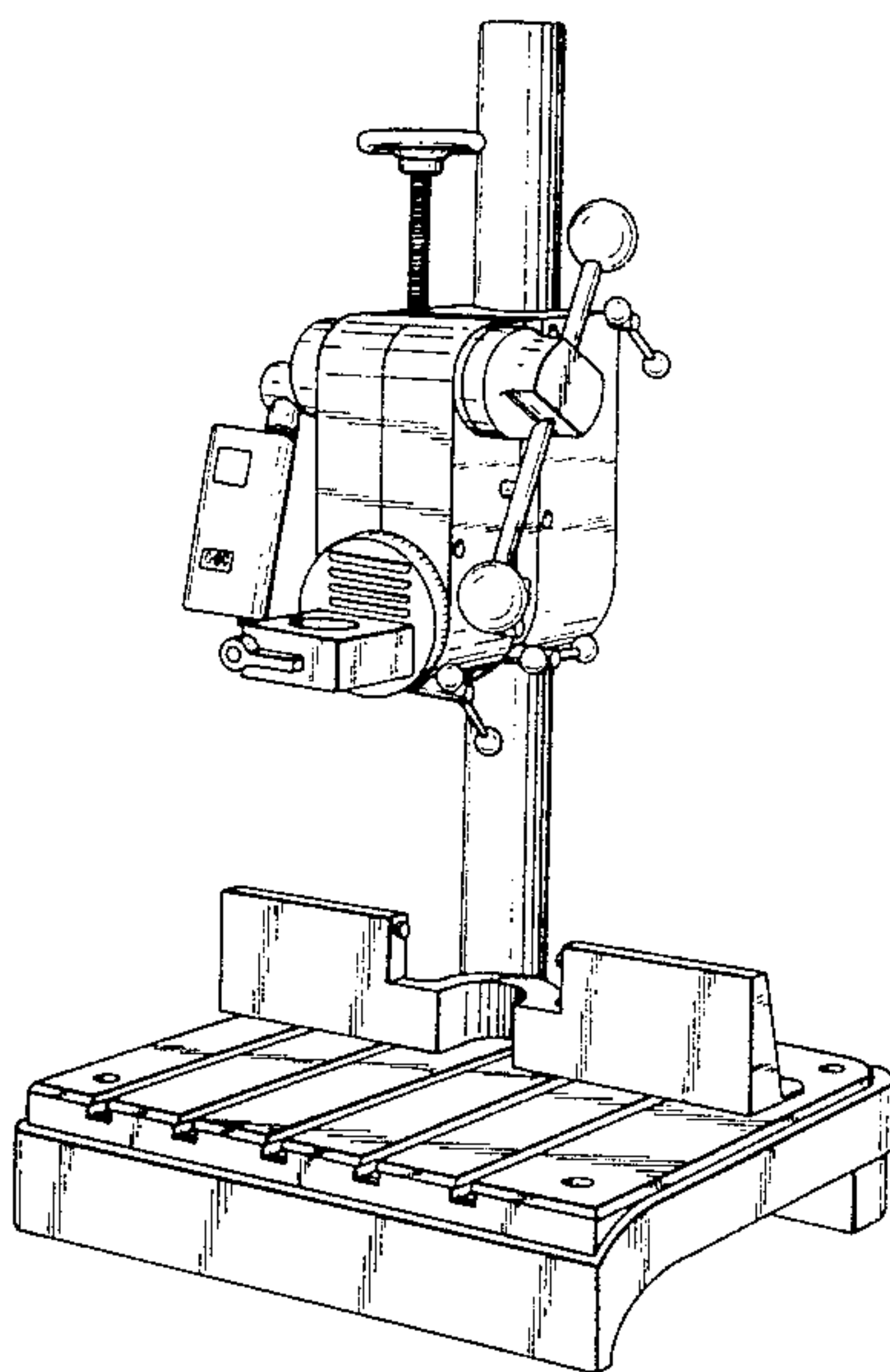


FIG. 1.

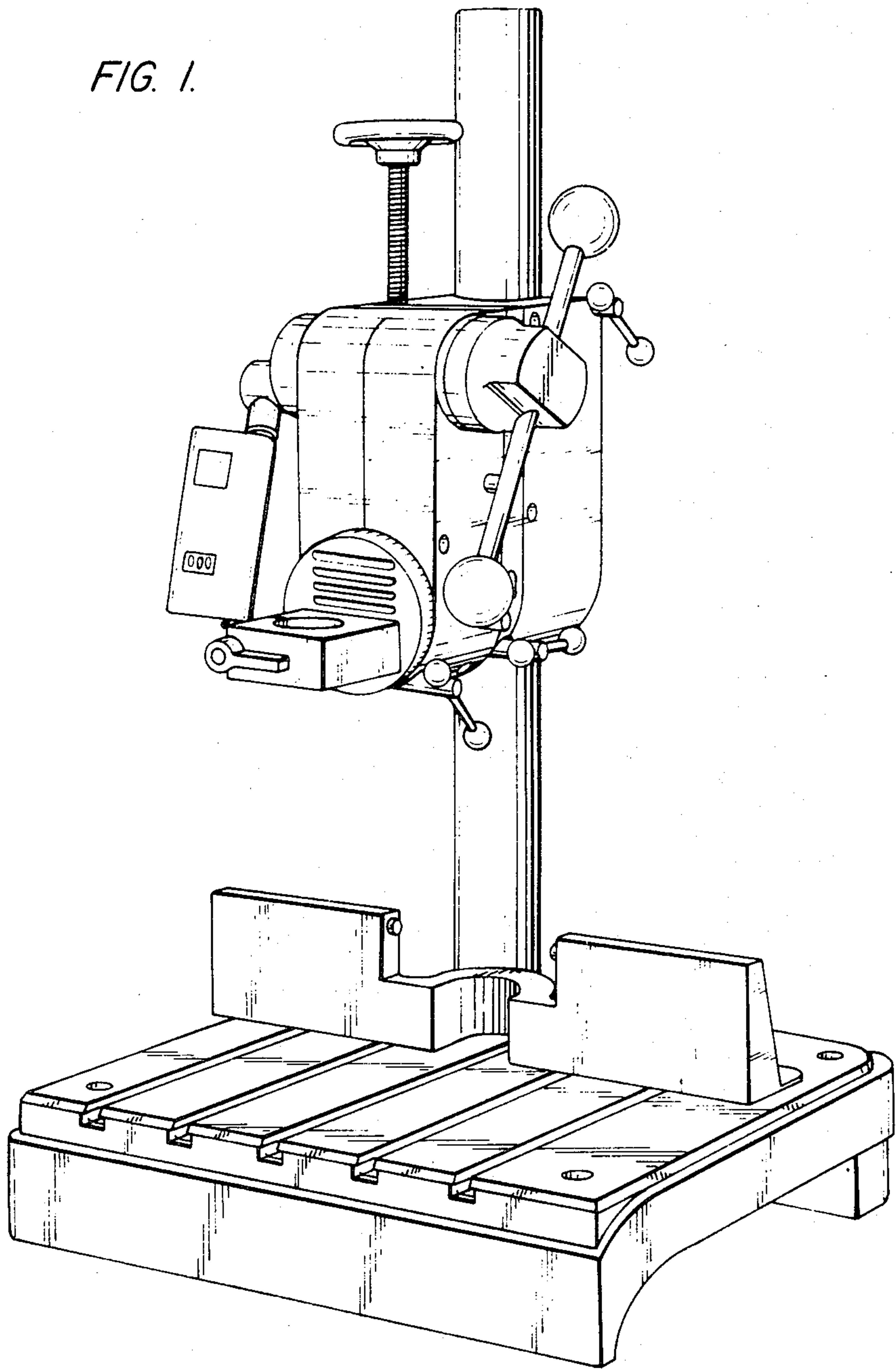


FIG. 2.

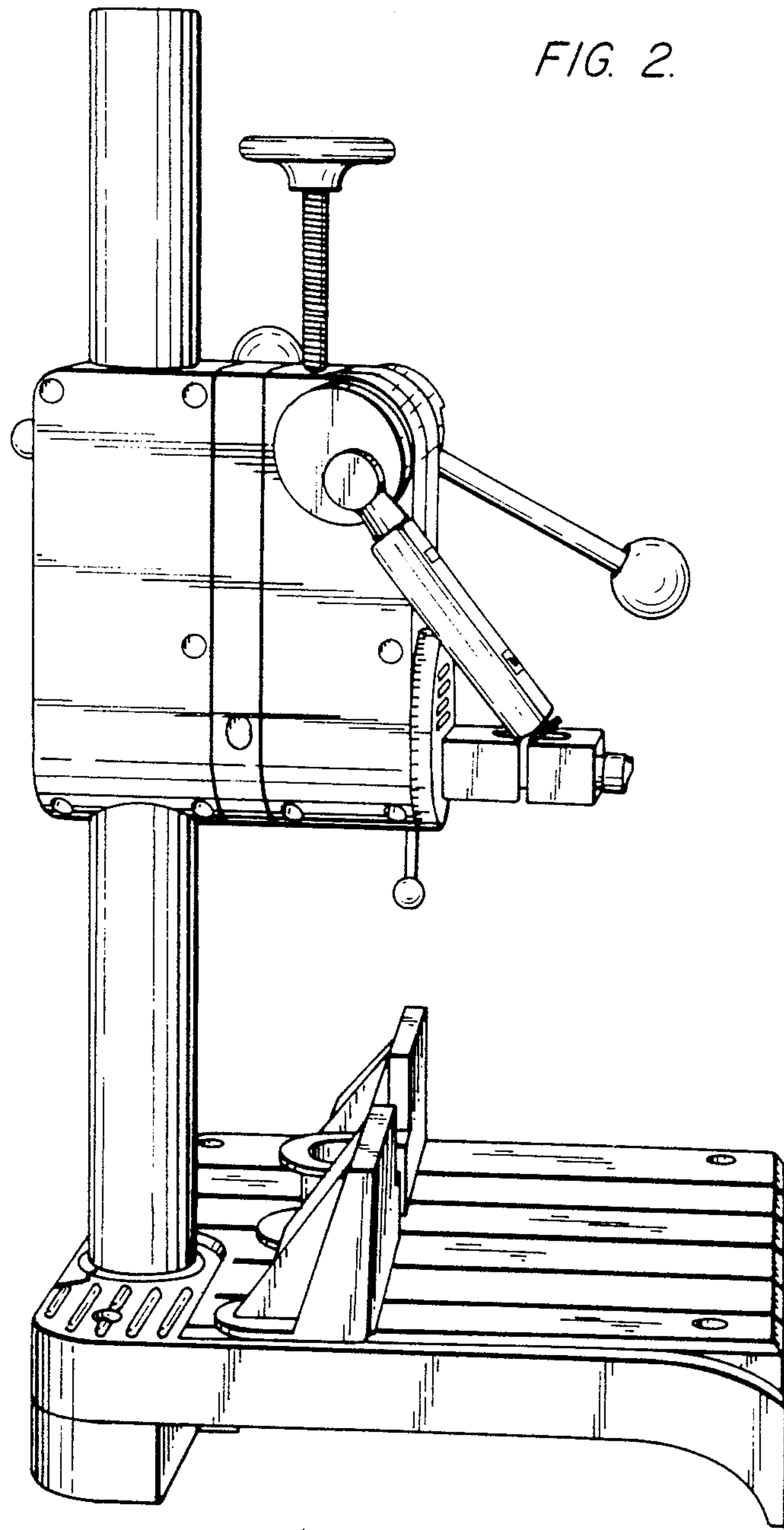


FIG. 3.

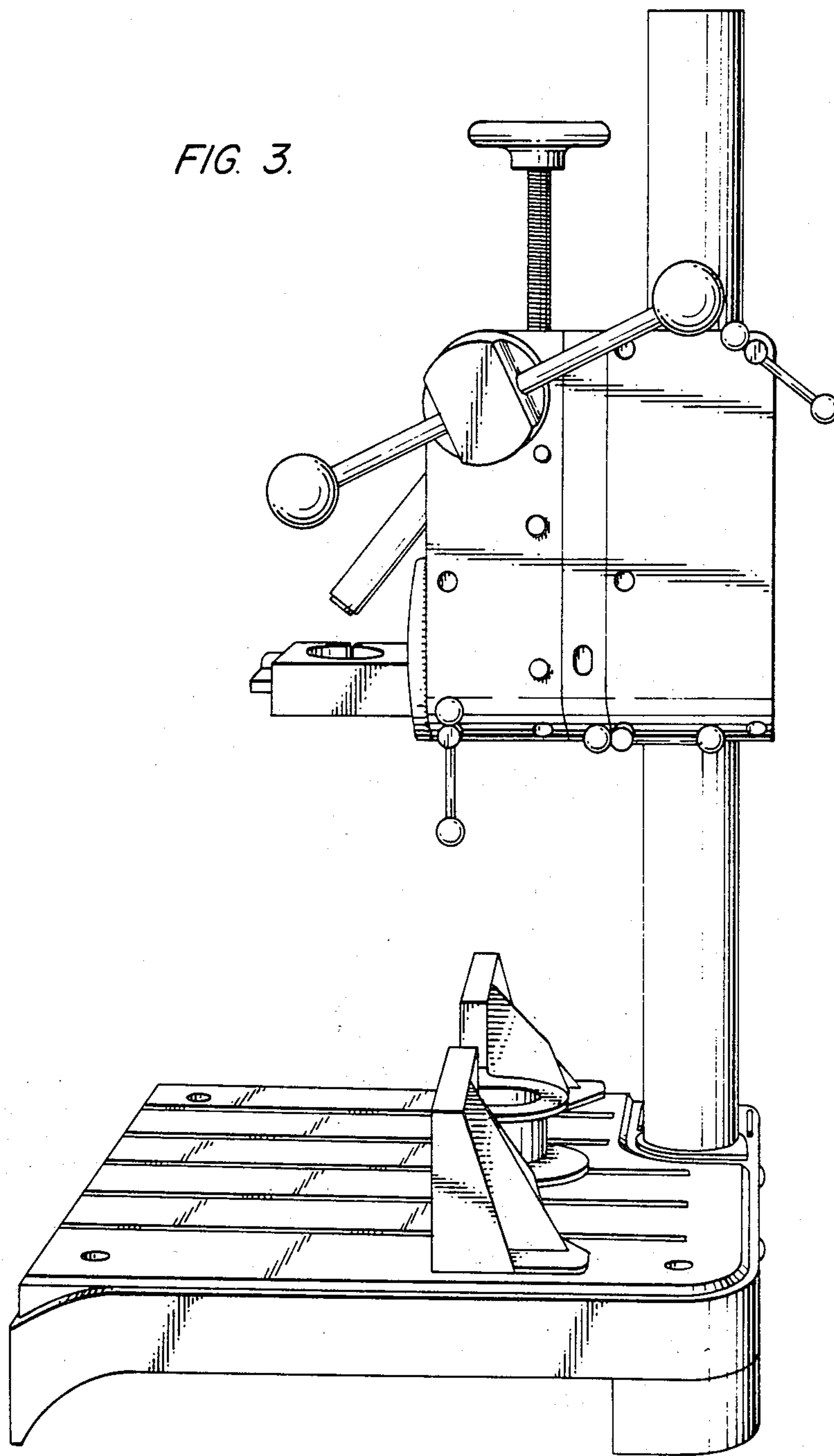


FIG. 4.

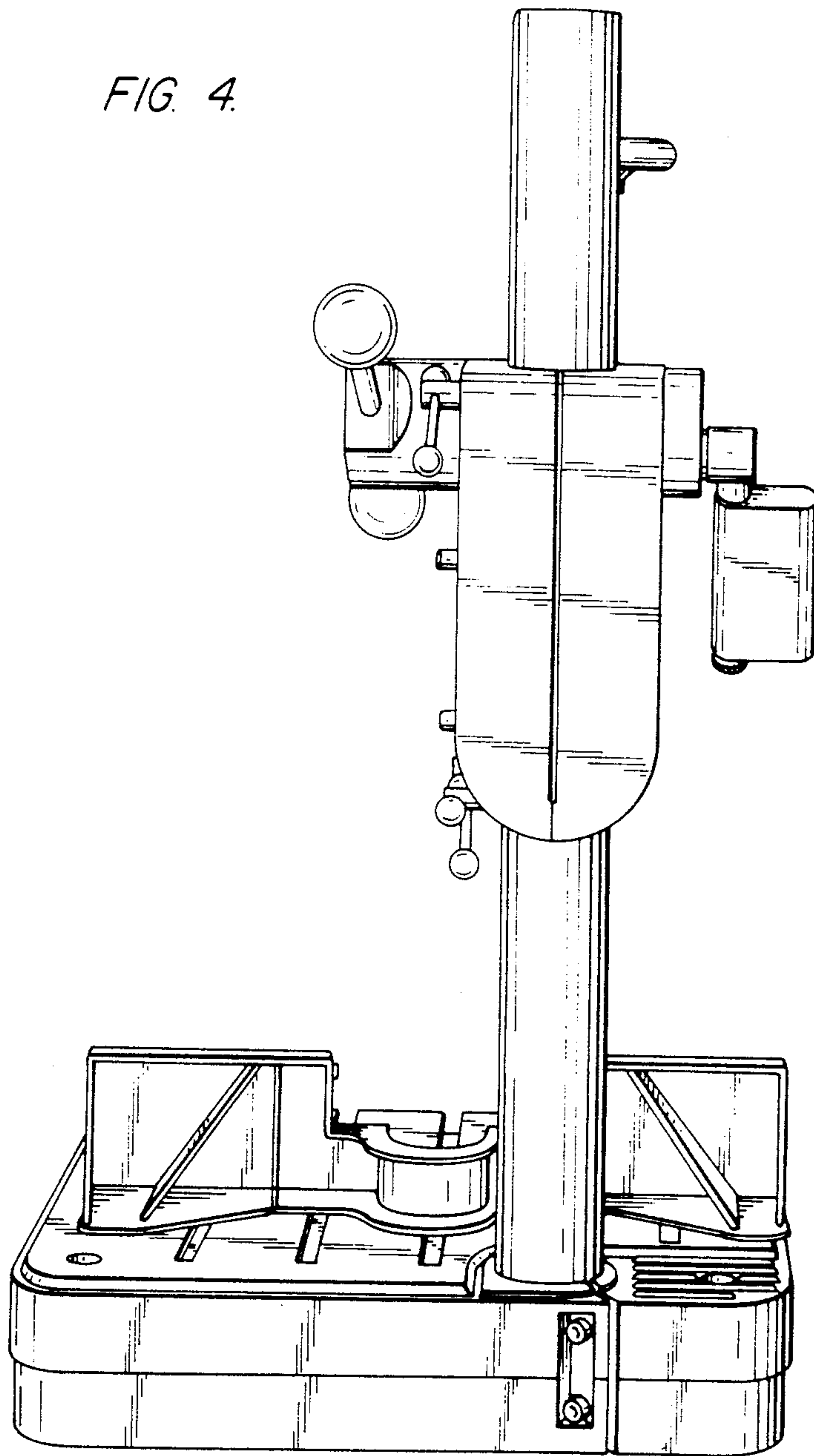




FIG. 5.

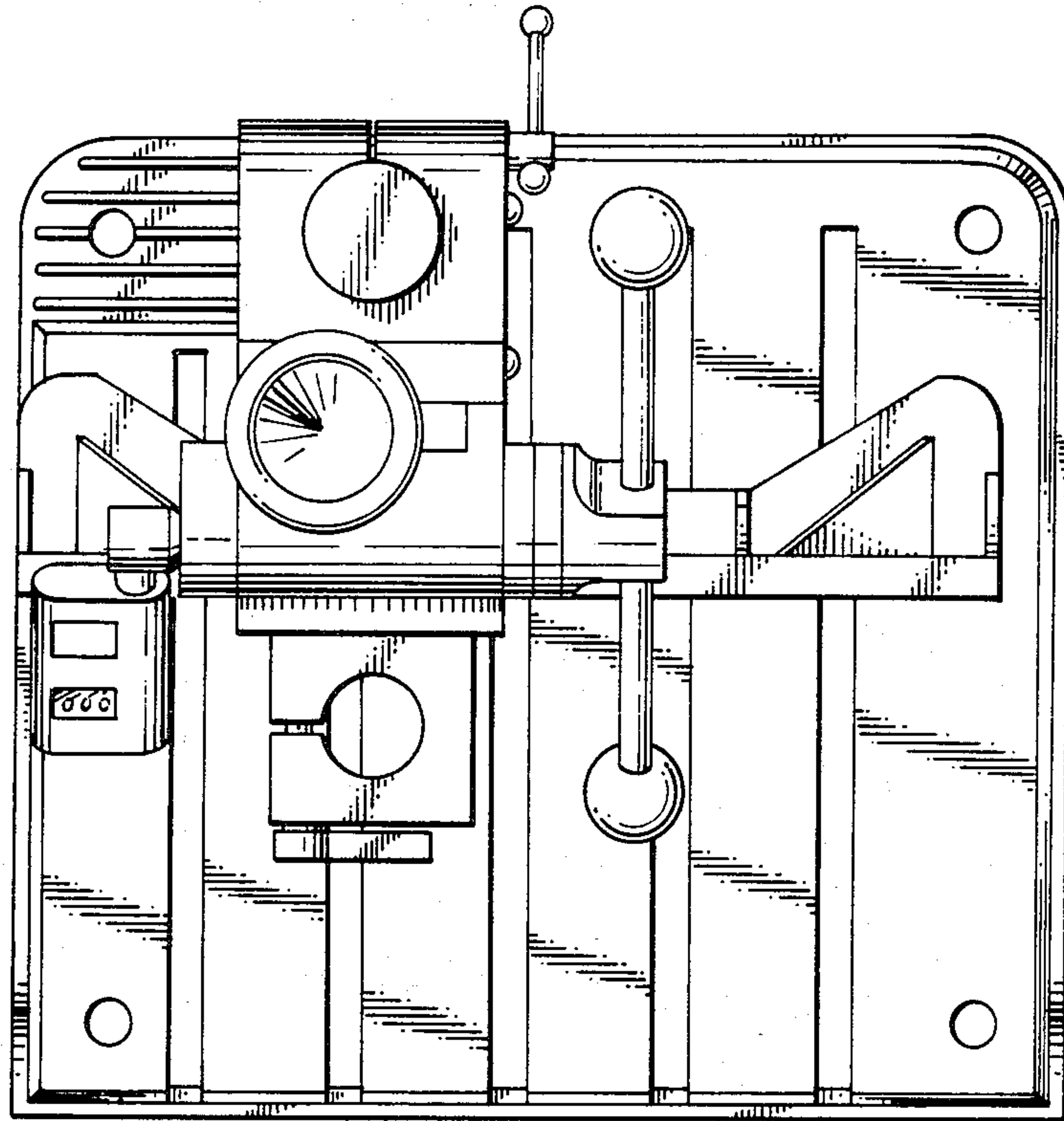


FIG. 6.

