

[54] LAWN TRACTOR

[75] Inventors: Masahiro Watanabe; Shungo Yorozu, both of Tokyo, Japan

[73] Assignee: Honda Giken Kogyo Kabushiki Kaisha, Tokyo, Japan

[**] Term: 14 Years

[21] Appl. No.: 669,938

[22] Filed: Nov. 9, 1984

[30] Foreign Application Priority Data

May 9, 1984 [JP] Japan 59-18682

[52] U.S. Cl. D15/15

[58] Field of Search D15/10, 14, 15, 17; 56/DIG. 22, 202, 320.1, 320.2

[56] References Cited

U.S. PATENT DOCUMENTS

D. 243,270 2/1977 Ehrlin et al. D15/15
D. 248,655 7/1978 Klein D15/15

D. 271,020 10/1983 Halmberg et al. D15/15
3,805,500 4/1974 Sweet 56/202
4,158,279 6/1979 Jackson 56/320.2
4,325,211 4/1982 Witt et al. 56/DIG. 22

Primary Examiner—B. J. Bullock
Assistant Examiner—Suzanne N. Gitlin
Attorney, Agent, or Firm—Wenderoth, Lind & Ponack

[57] CLAIM

The ornamental design for a lawn tractor, substantially as shown and described.

DESCRIPTION

FIG. 1 is a front elevational view of a lawn tractor showing our new design;
FIG. 2 is a rear elevational view thereof;
FIG. 3 is a side elevational view taken from the left of FIG. 1;
FIG. 4 is a side elevational view taken from the right of FIG. 1;
FIG. 5 is a top plan view thereof;
FIG. 6 is a bottom plan view thereof;
FIG. 7 is a perspective view thereof.

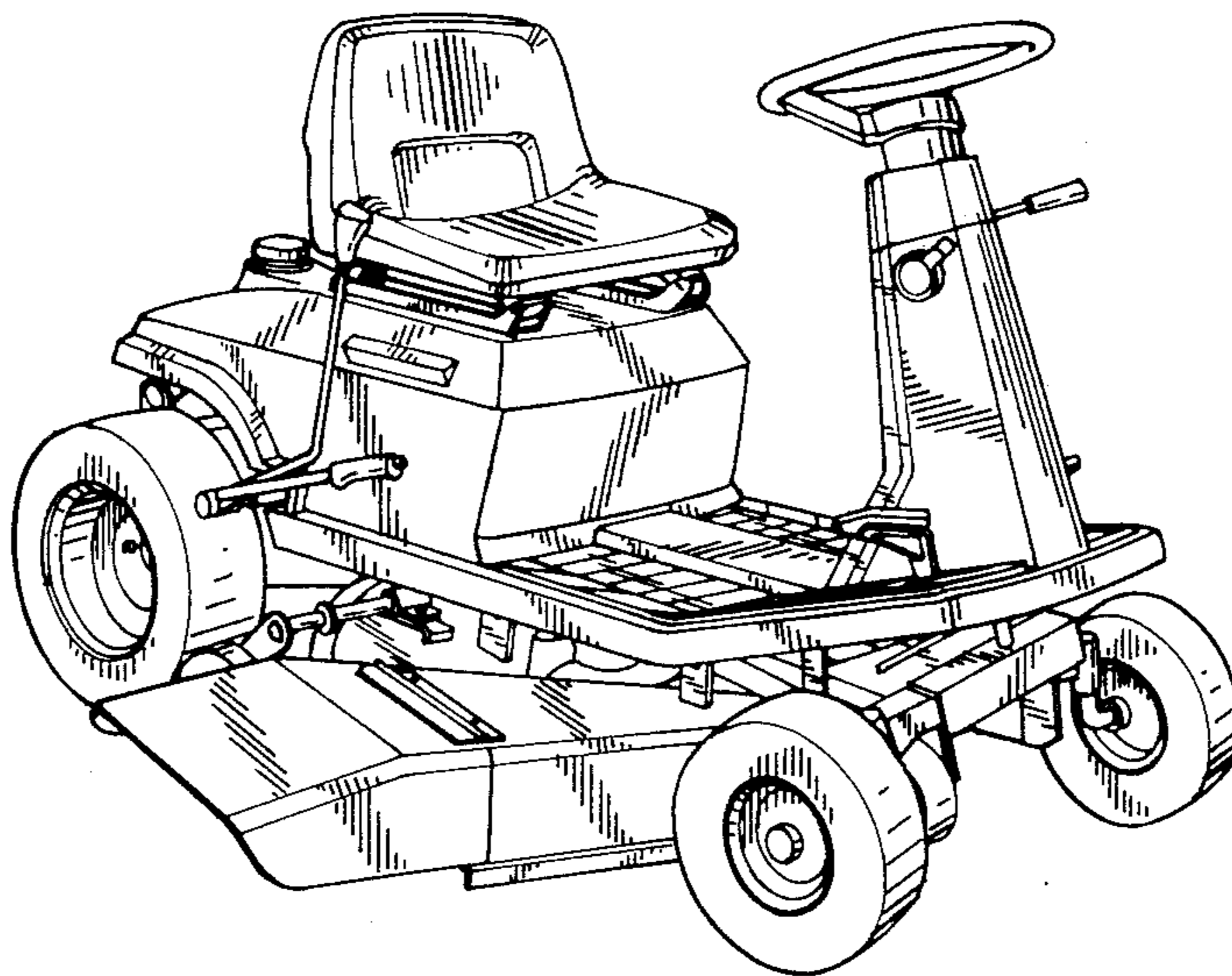


FIG. 1

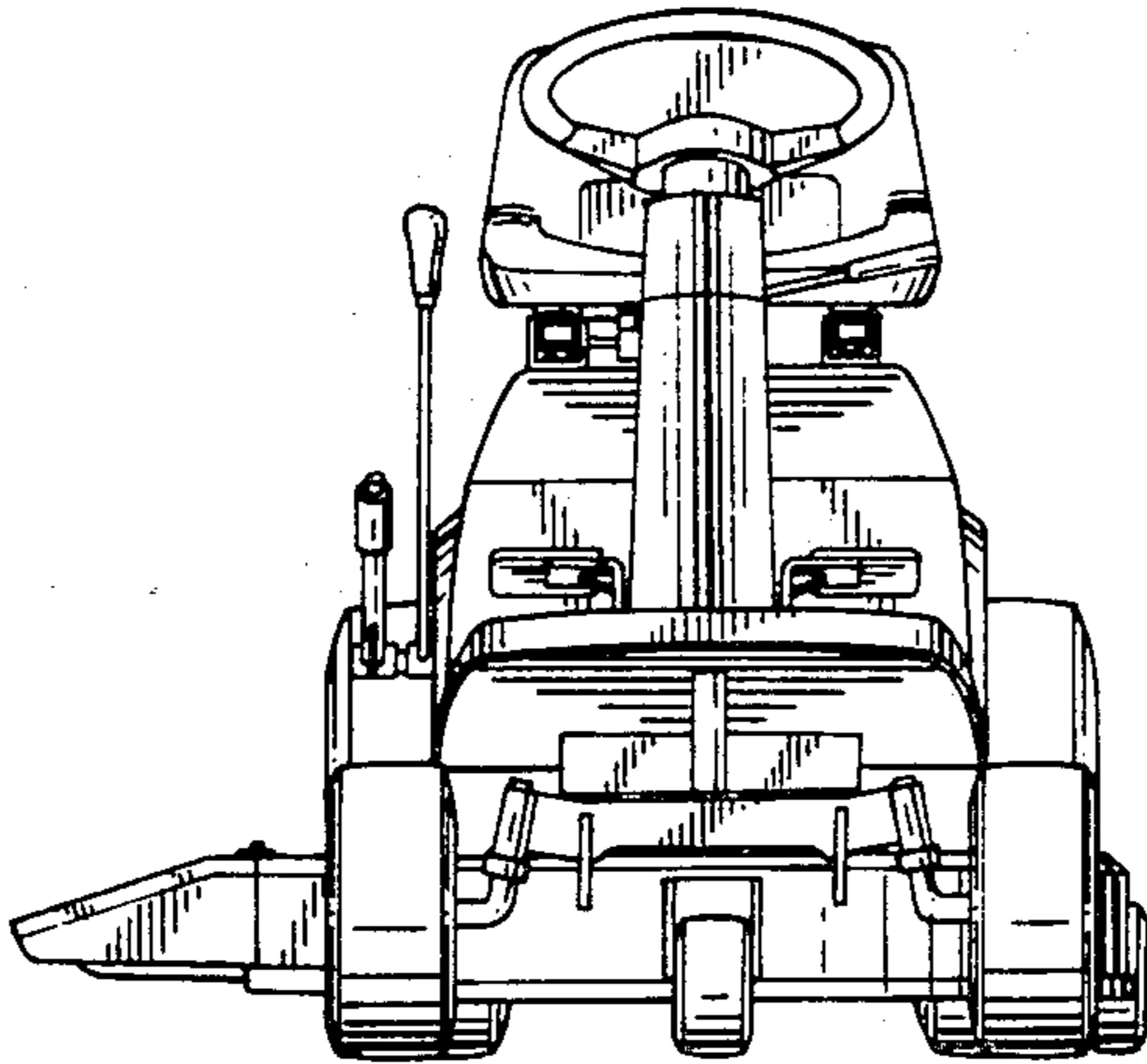


FIG. 2

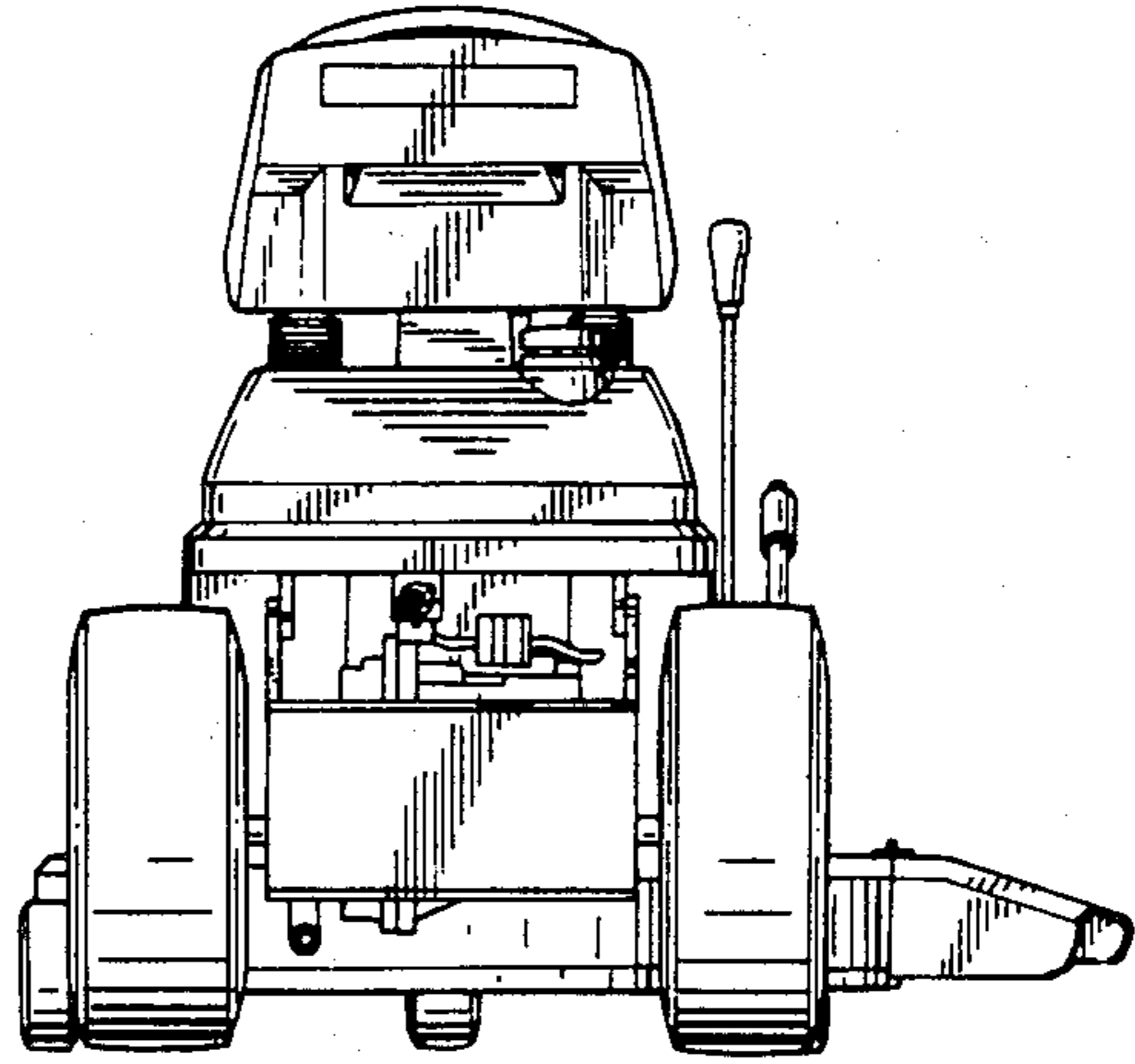


FIG. 3

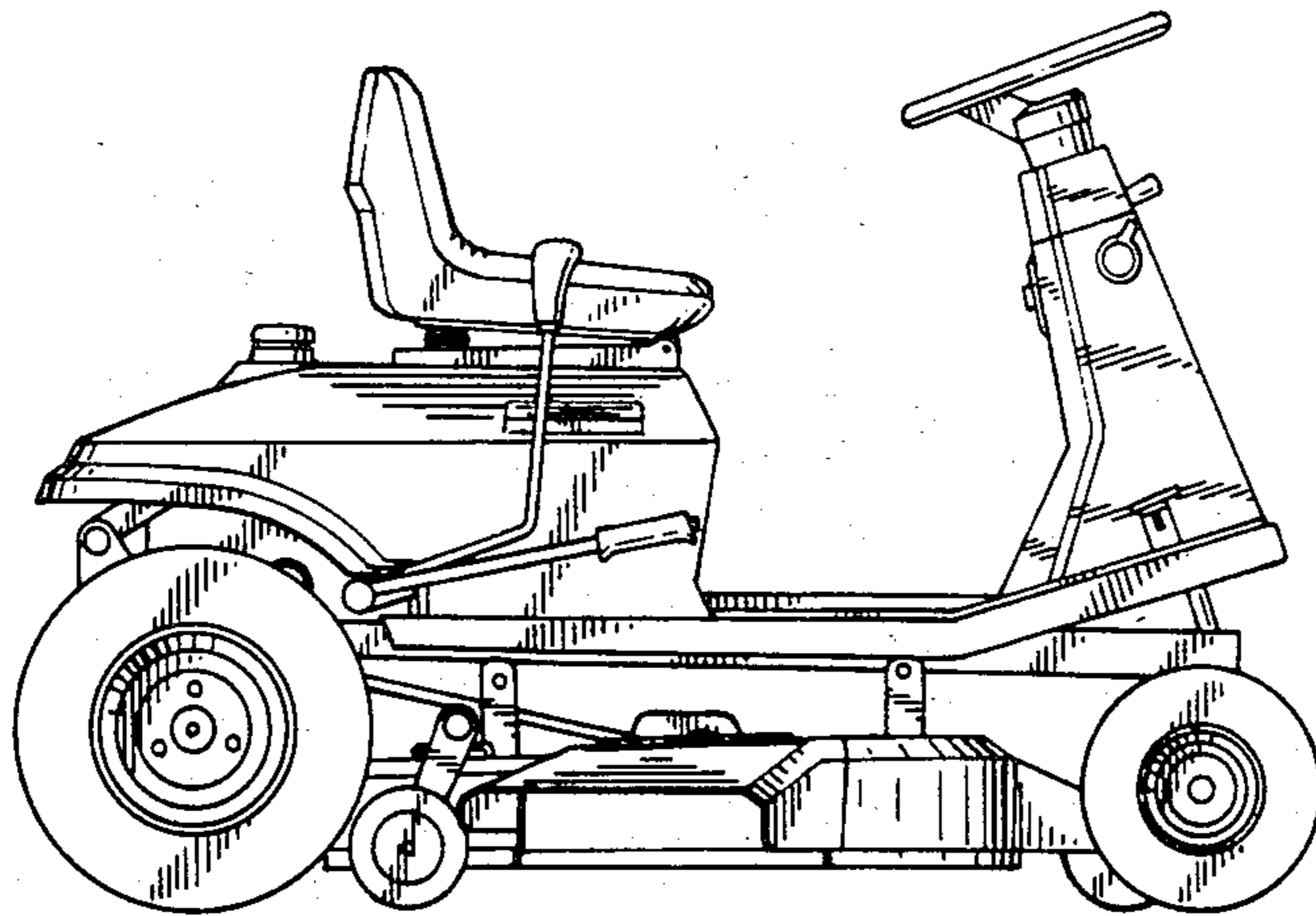


FIG. 4

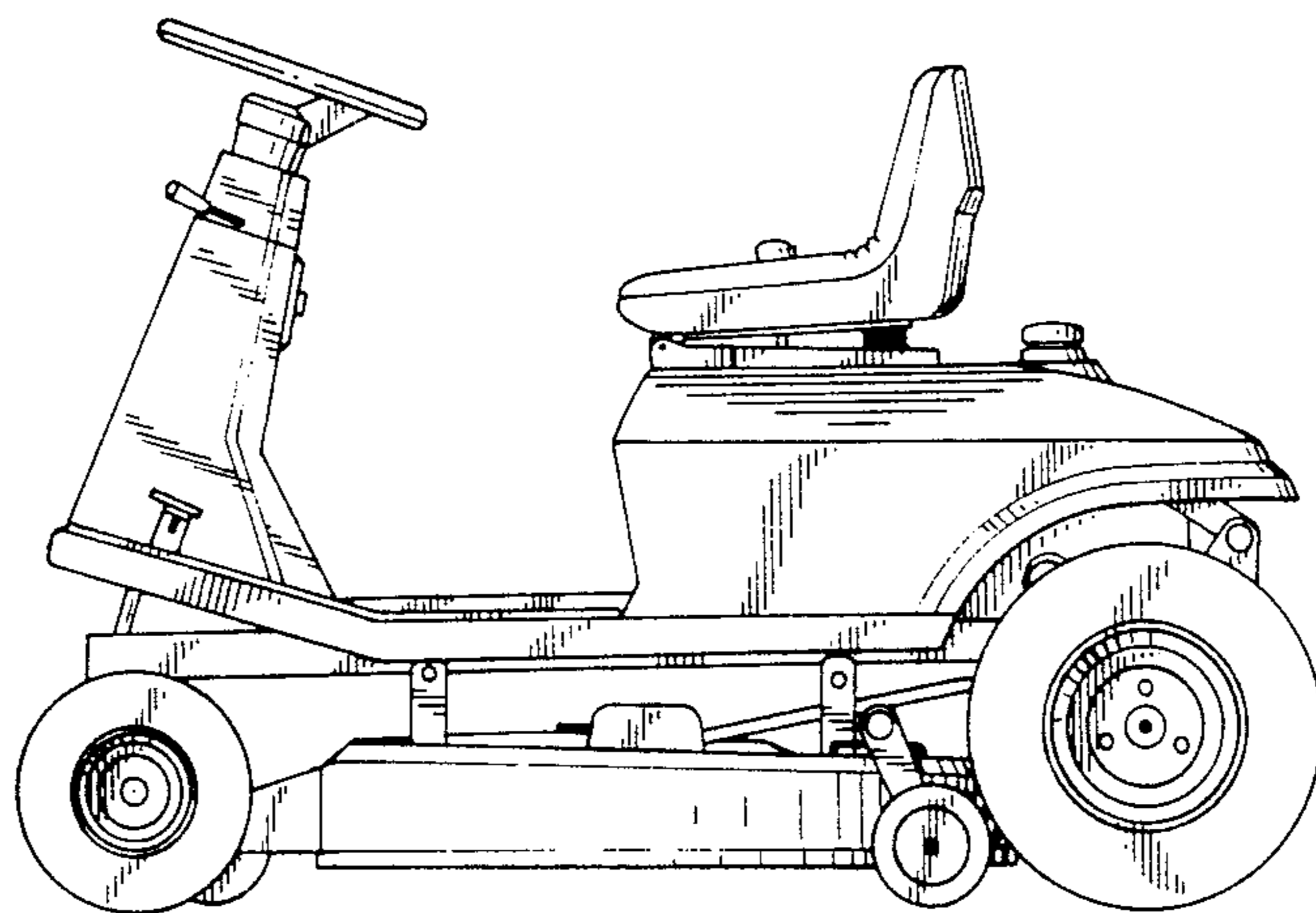


FIG. 5

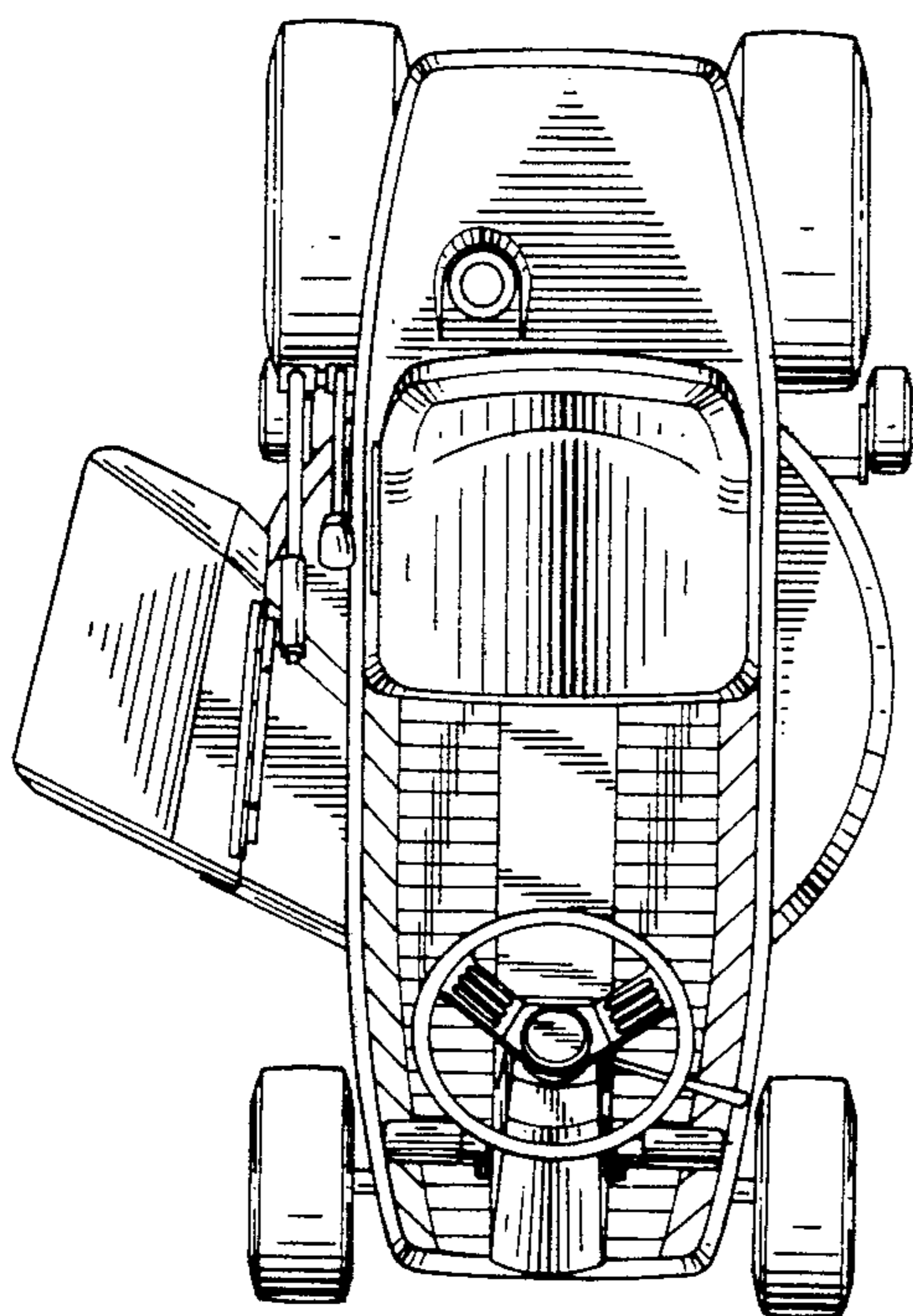


FIG. 6

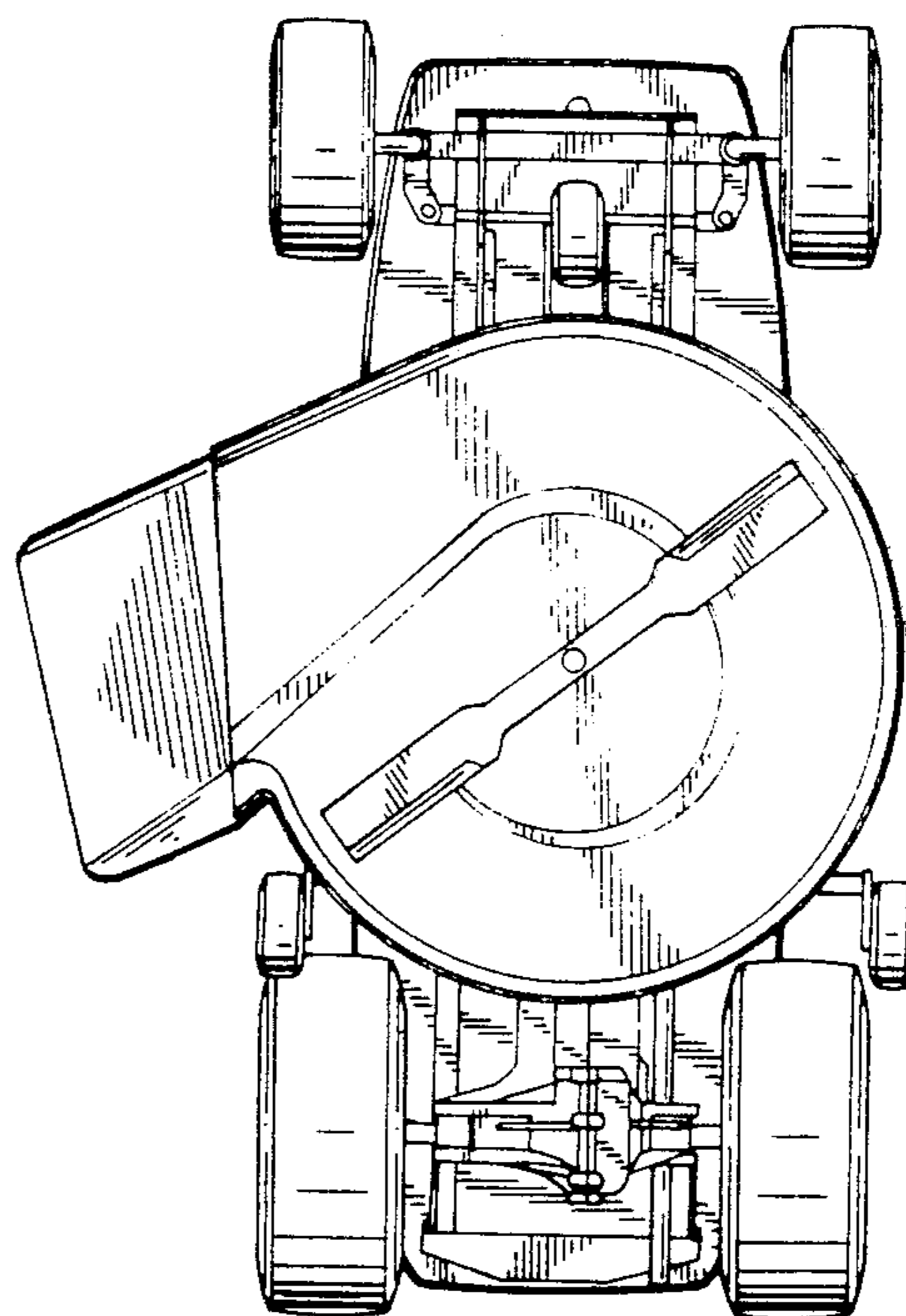


FIG. 7

