

United States Patent [19]

Wiseman

[11] Patent Number: **Des. 284,967**

[45] Date of Patent: **** Aug. 5, 1986**

[54] **DISPLAY MONITOR**

[75] Inventor: **John A. Wiseman**, Winchester,
United Kingdom

[73] Assignee: **International Business Machines
Corporation**, Armonk, N.Y.

[**] Term: **14 Years**

[21] Appl. No.: **562,503**

[22] Filed: **Dec. 16, 1983**

[30] **Foreign Application Priority Data**

Jun. 21, 1983 [GB] United Kingdom 1013702

[52] U.S. Cl. **D14/113**

[58] Field of Search D14/70, 81, 82, 83;
358/249, 254, 903; 340/700, 710, 711

[56] **References Cited**

U.S. PATENT DOCUMENTS

D. 259,343 5/1981 Chamberlain D14/113
D. 271,874 12/1983 Endt D14/113
D. 274,726 7/1984 Caven D14/113

D. 276,236 11/1984 Akiyama D14/113
D. 279,007 5/1985 Empson et al. D14/113

OTHER PUBLICATIONS

Computer Design, 3-1981, p. 9, Zentec Series 8000,
Intelligent Terminal.

Primary Examiner—Susan J. Lucas
Attorney, Agent, or Firm—Joseph J. Connerton

[57] **CLAIM**

The ornamental design for a display monitor, substan-
tially as shown and described.

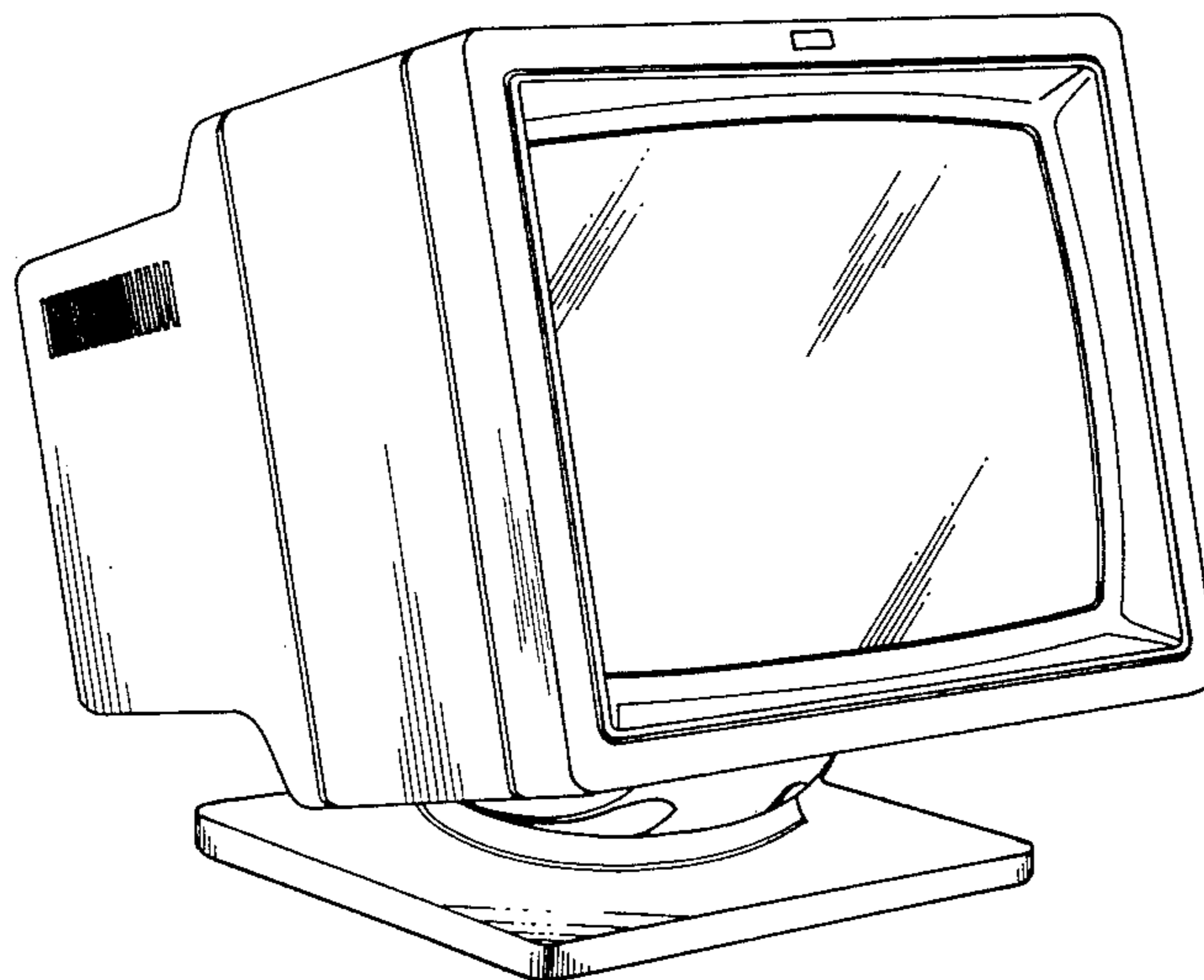
DESCRIPTION

FIG. 1 is a front, right side perspective view of a display
monitor showing my new design, the display being
titled backwardly;

FIG. 2 is a rear, top and left side perspective view
thereof;

FIGS. 3 through 6 are respectively front, rear, left and
right side elevational views thereof, the display being
upright;

FIGS. 7 and 8 are respectively top and bottom plan
views thereof.



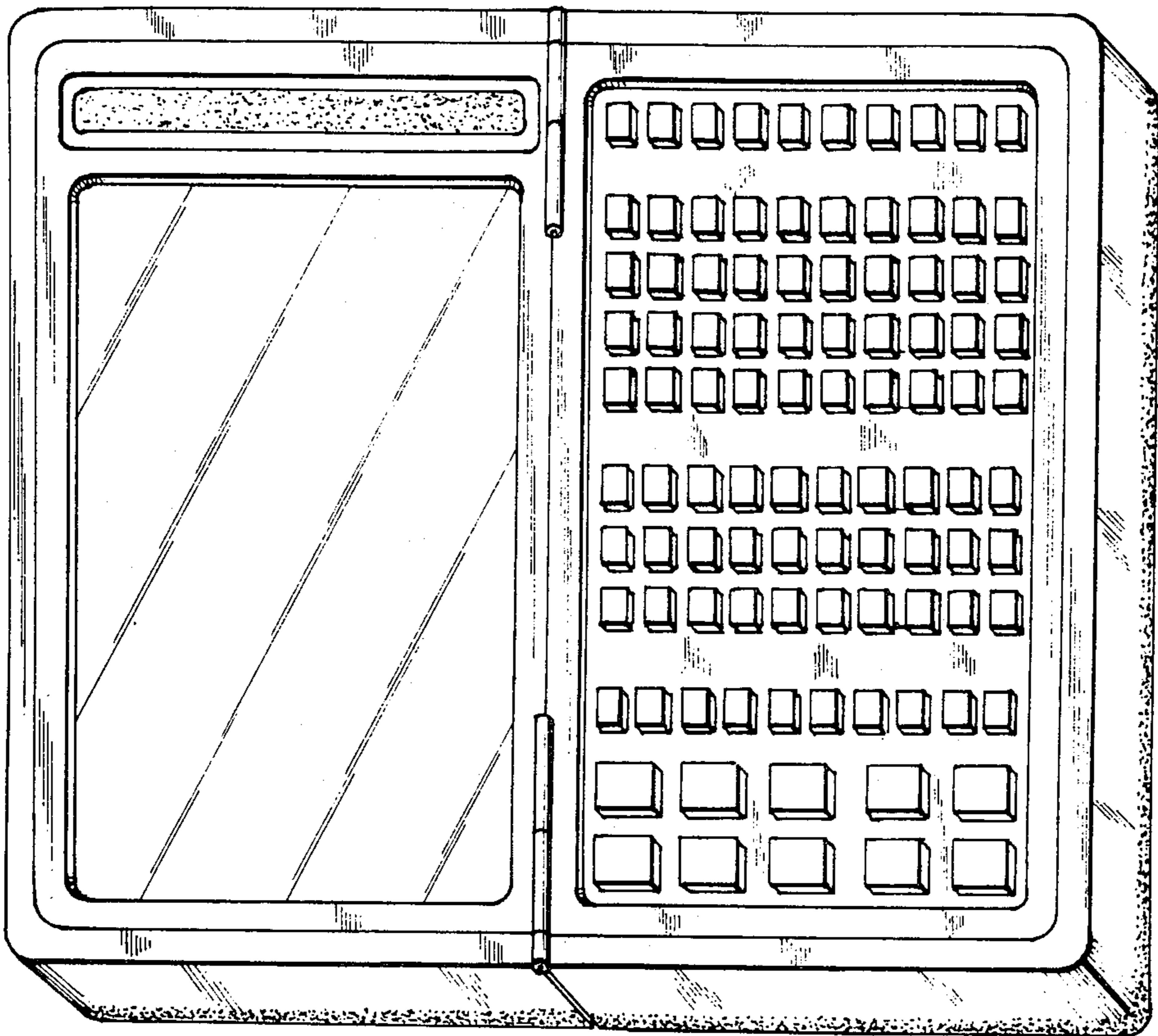


Fig. 1

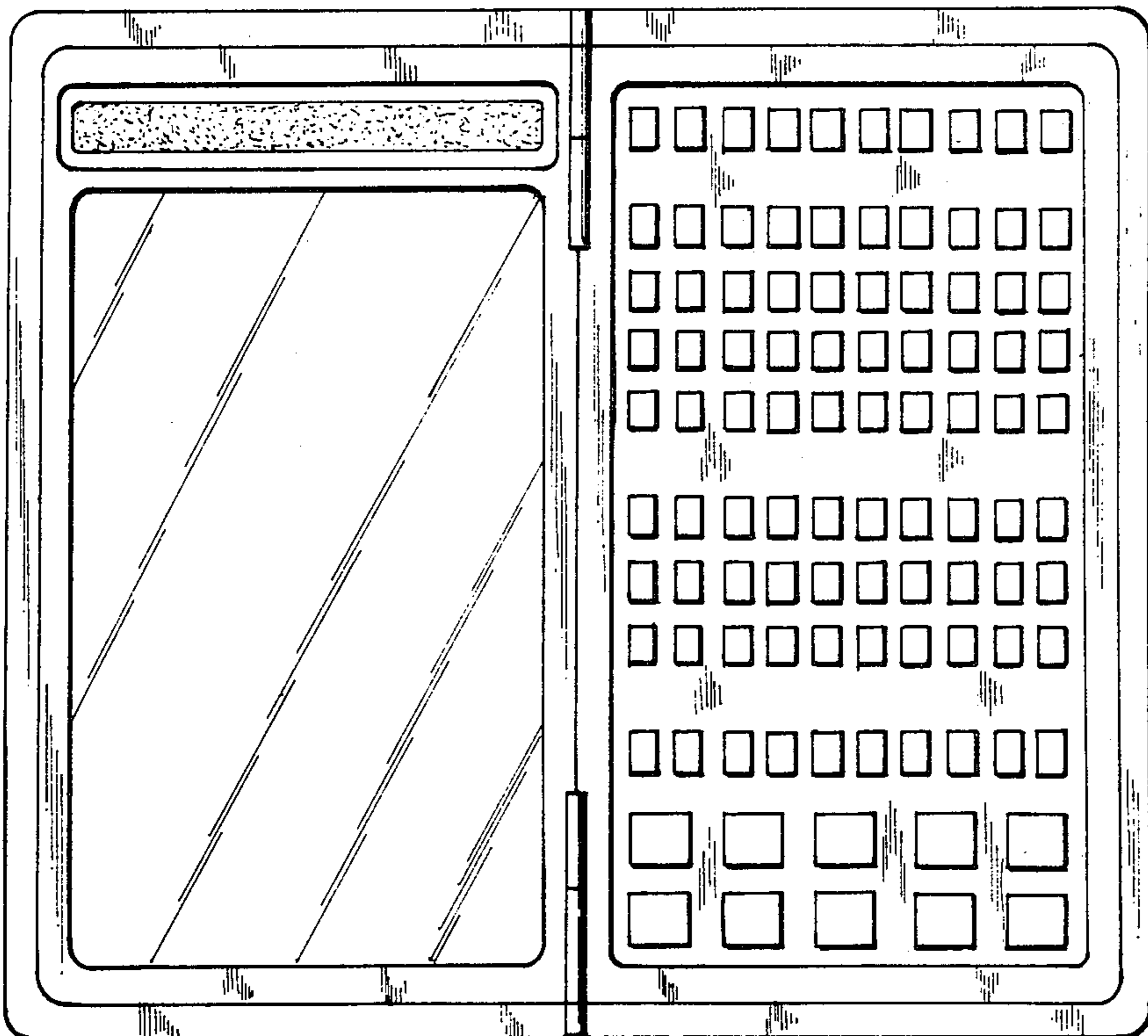


Fig. 2

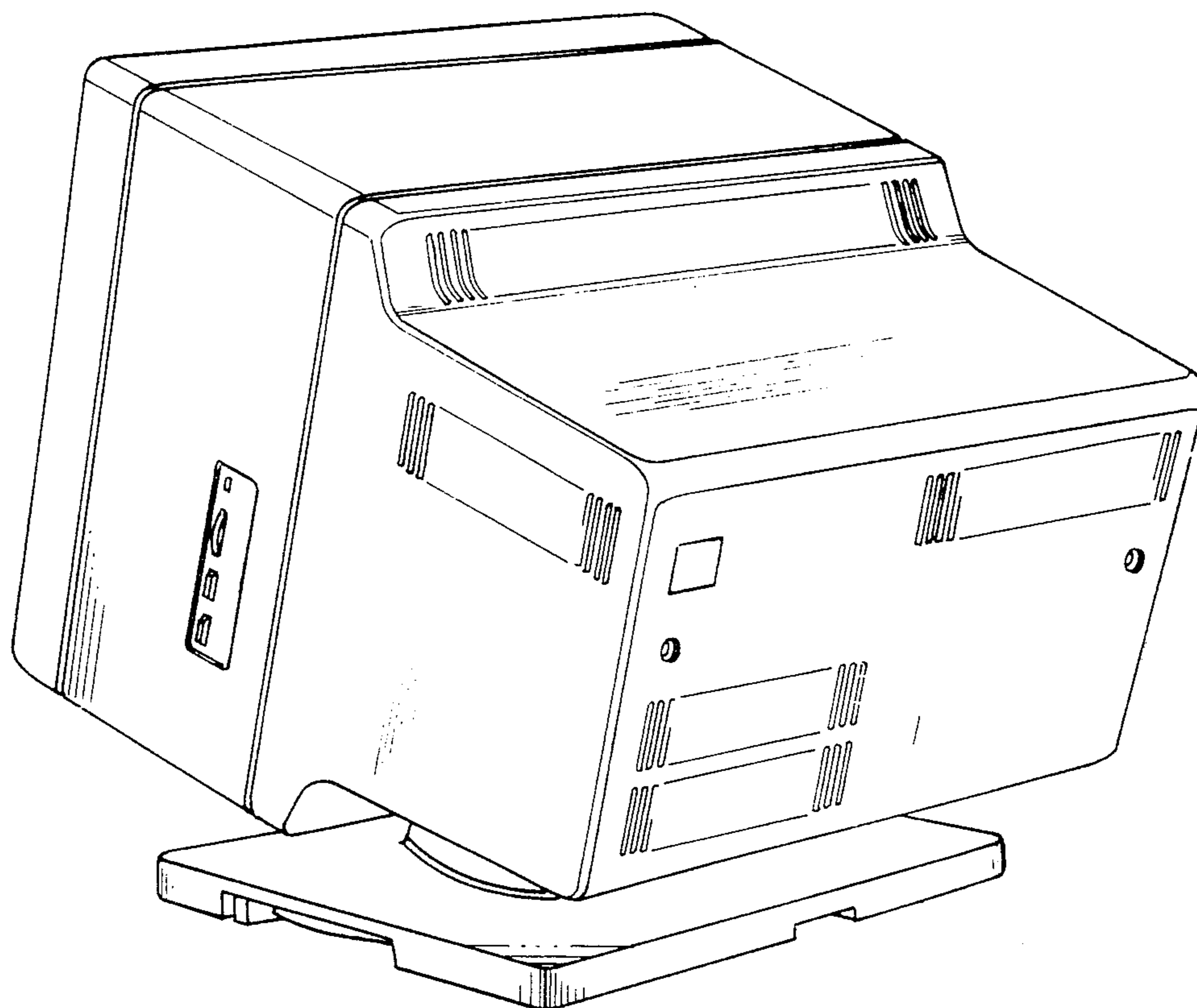


FIG. 2

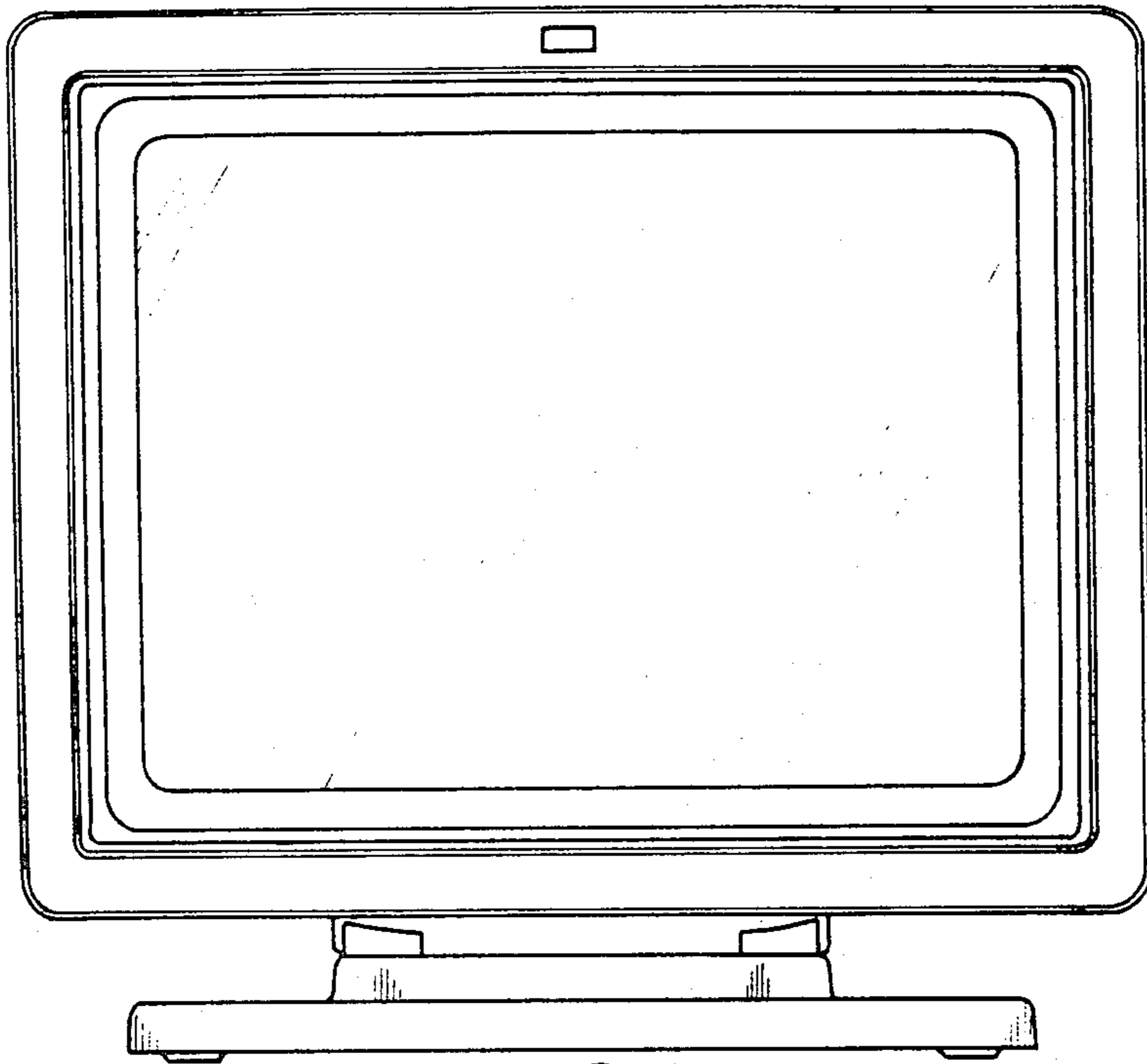


FIG. 3

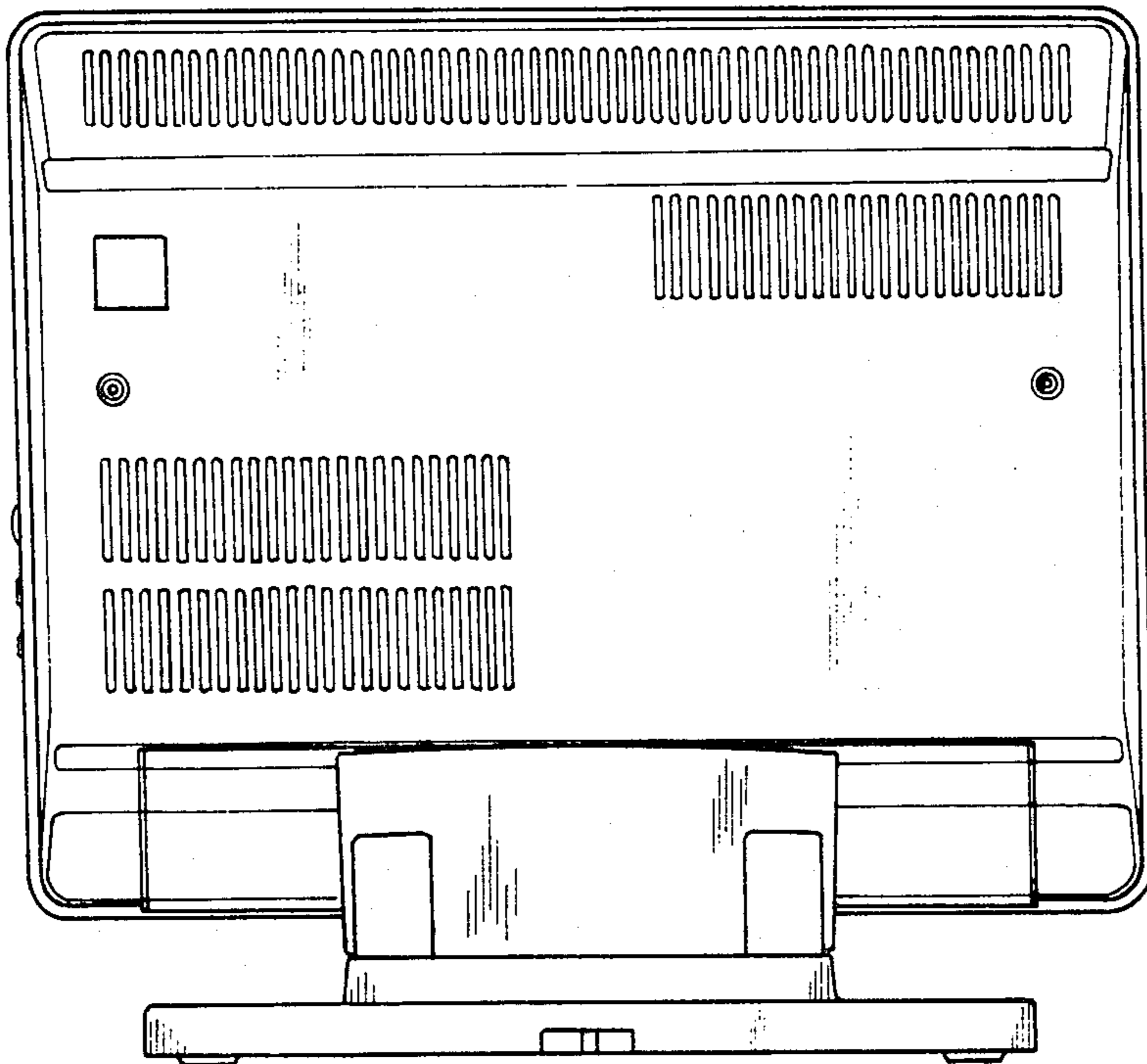


FIG. 4

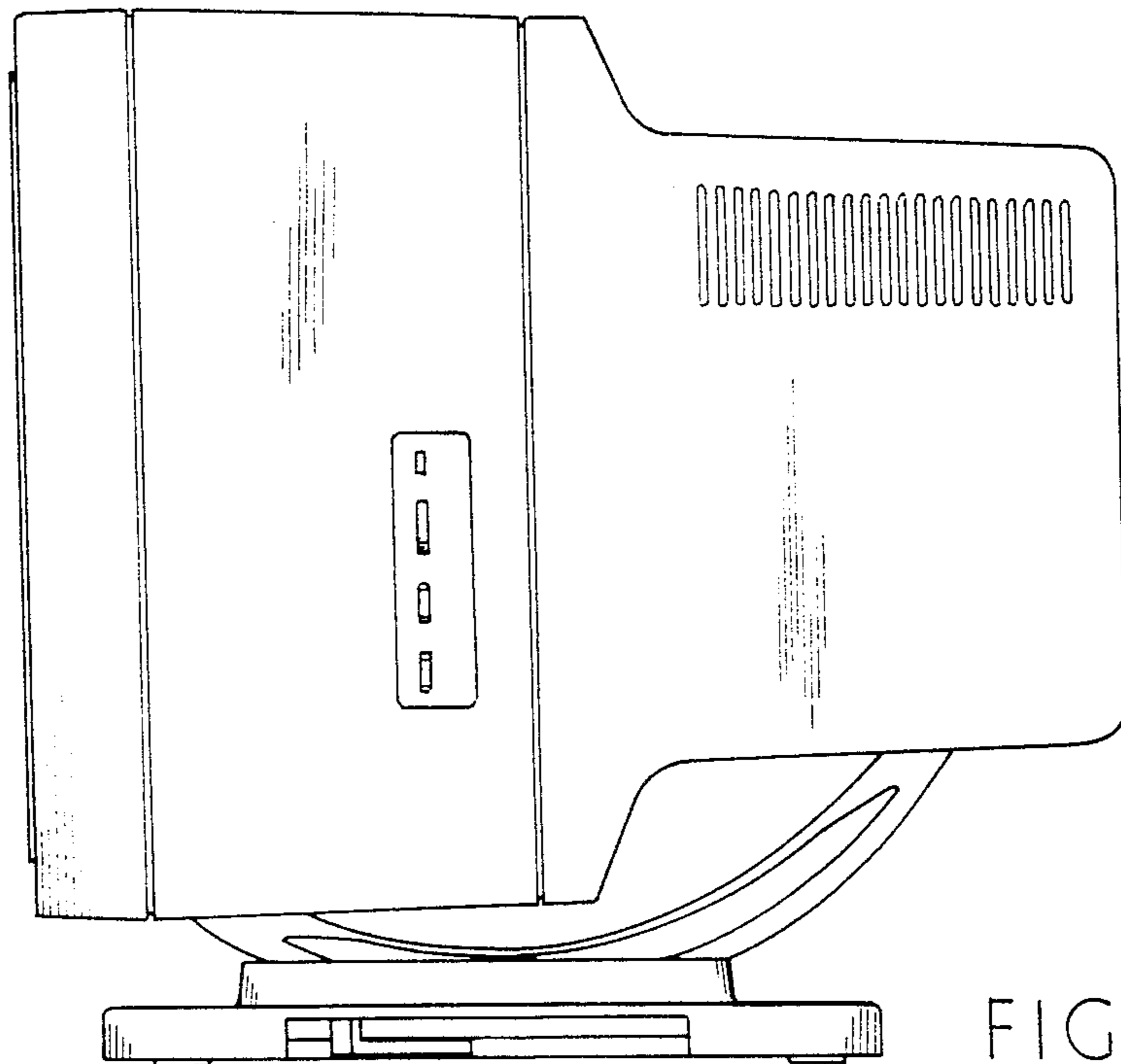


FIG. 5

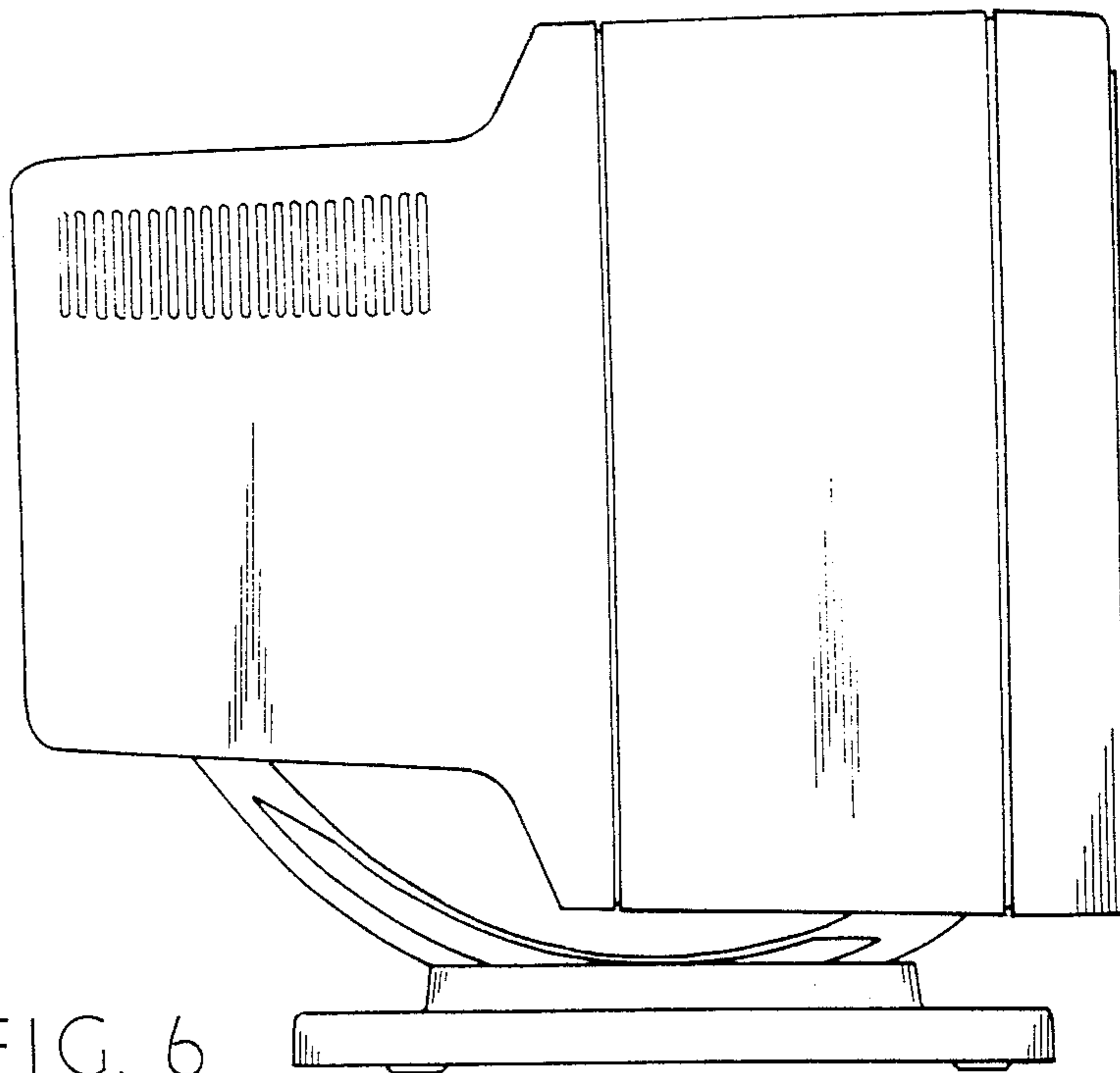


FIG. 6

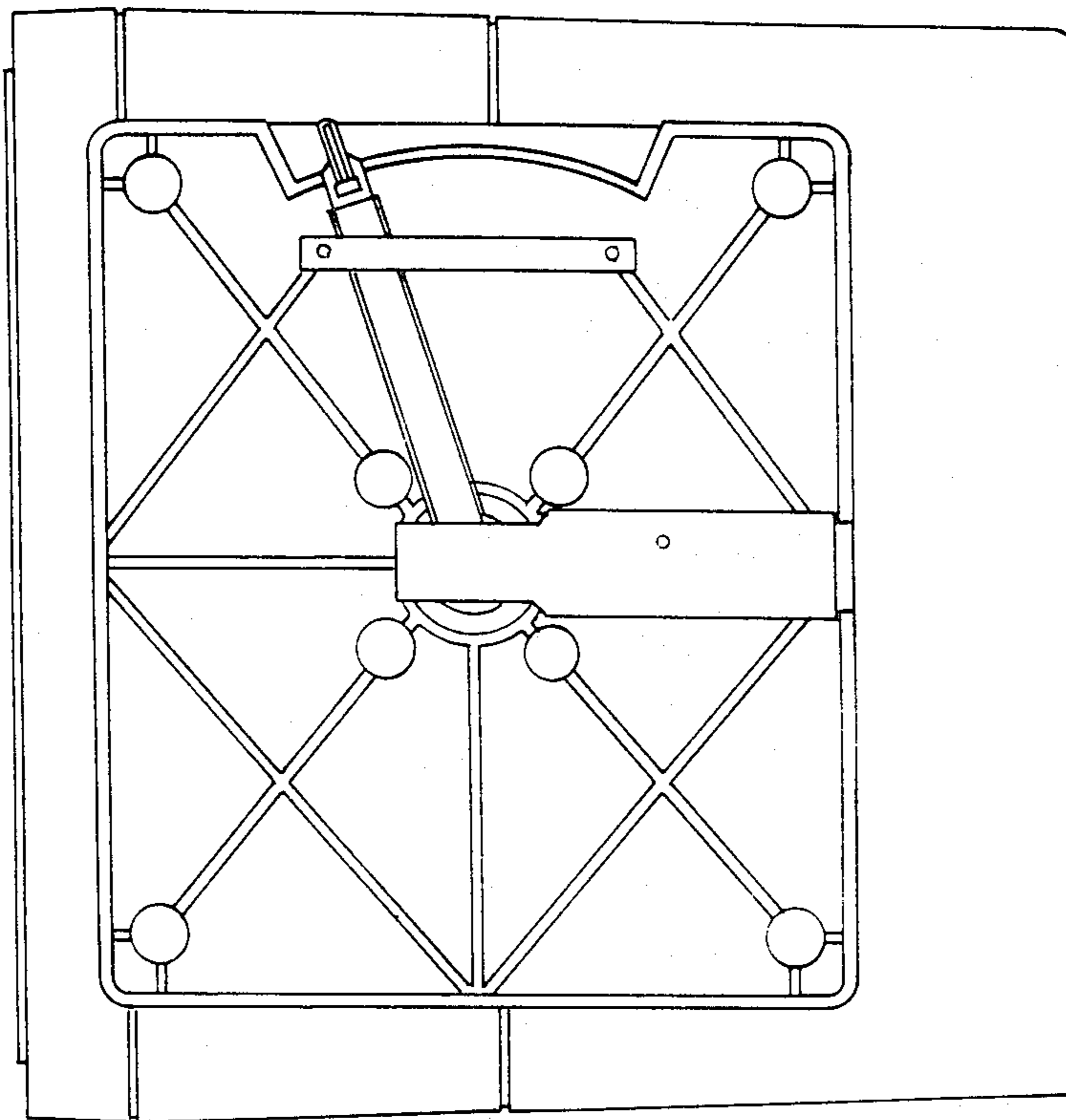


FIG. 7

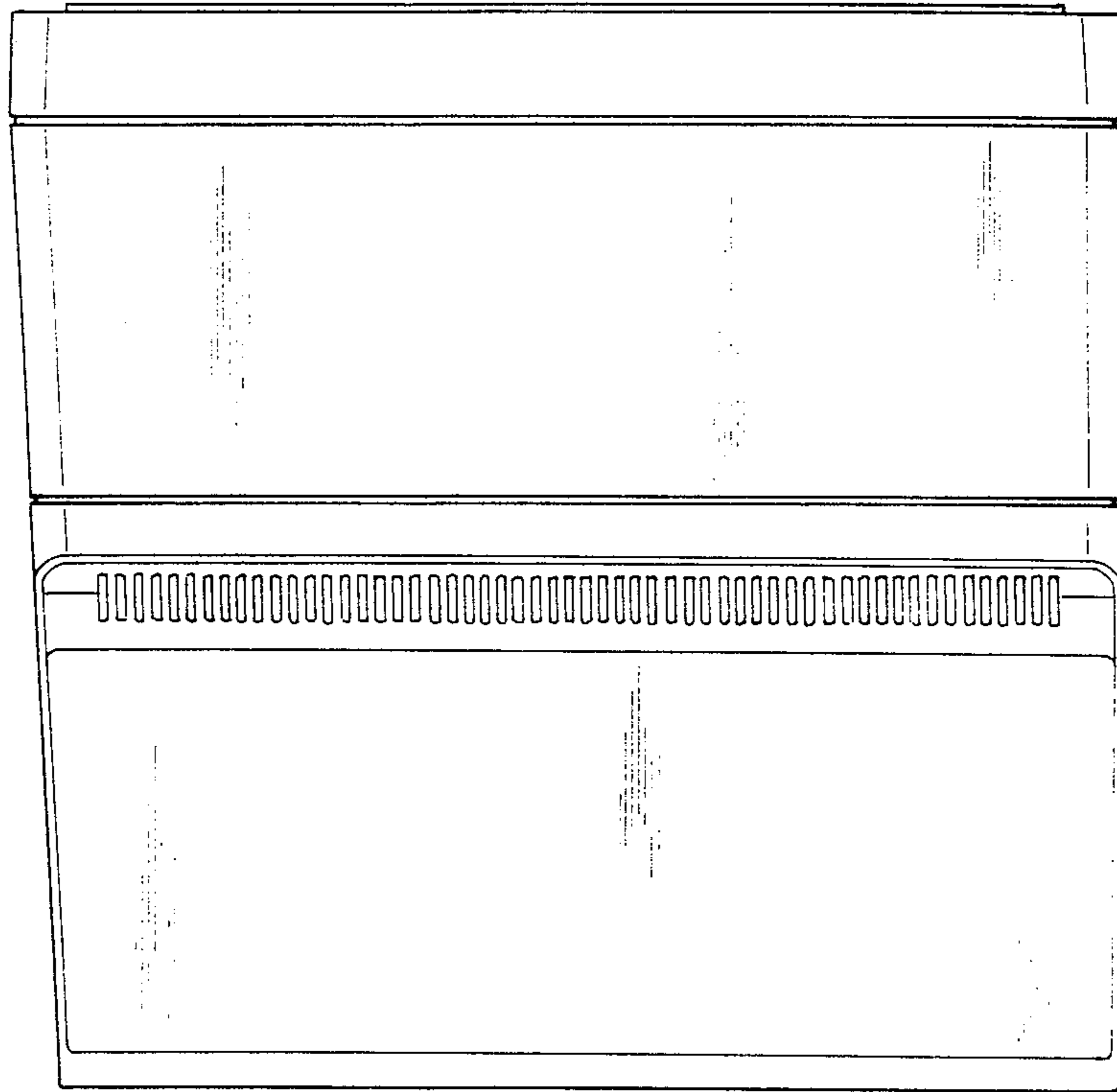


FIG. 8