

[54] COMBINED JUMPER CABLE CONTROL BOX AND METER

[75] Inventor: Bobby L. Bates, San Dimas, Calif.

[73] Assignee: Bates R&D, Inc., San Dimas, Calif.

[**] Term: 14 Years

[21] Appl. No.: 571,836

[22] Filed: Jan. 19, 1984

[52] U.S. Cl. D13/5

[58] Field of Search D13/2, 4-12, D13/15, 40-41; D10/77; 339/29 B, 29 R; 307/150; 320/2-5; 429/48, 96, 100, 187

[56] **References Cited**

U.S. PATENT DOCUMENTS

D. 252,502 7/1979 Kelly, III D10/77

D. 280,614 9/1985 Bates D13/5

D. 281,314 11/1985 Bates D13/5

OTHER PUBLICATIONS

J. C. Whitney Auto Accessories Catalog, ©1979, p. 135, Electronic Ignition System Analyzer.

J. C. Whitney Auto Accessories Catalog, ©1979, p. 135, New Charging System Analyzer.

J. C. Whitney Auto Accessories Catalog, ©1979, p. 136, UL Listed Battery Charger.

Primary Examiner—Catherine E. Kemper
Assistant Examiner—Ruth Takemoto
Attorney, Agent, or Firm—Christie, Parker & Hale

[57] CLAIM

The ornamental design for a combined jumper cable control box and meter, substantially as shown and described.

DESCRIPTION

FIG. 1 is a perspective view of a combined jumper cable control box and meter, with associated cables and terminal clamps being shown in broken lines for illustrative purposes only and form no part of the claimed design;

FIG. 2 is a top plan view thereof;

FIG. 3 is a side elevational view thereof, the two sides being substantially identical;

FIG. 4 is a bottom plan view thereof; and

FIG. 5 is a rear elevational view thereof, the two ends being substantially identical.

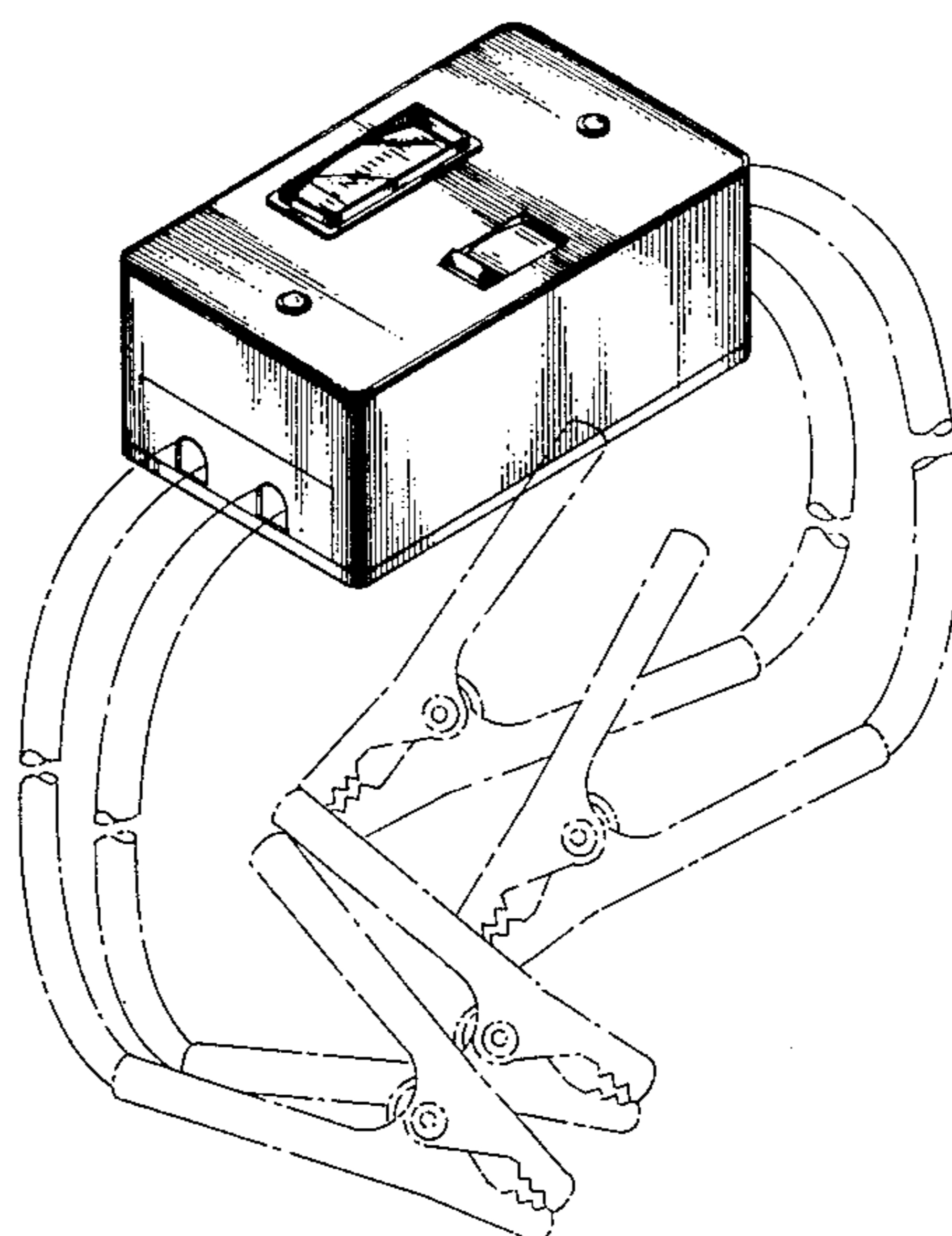


Fig. 1

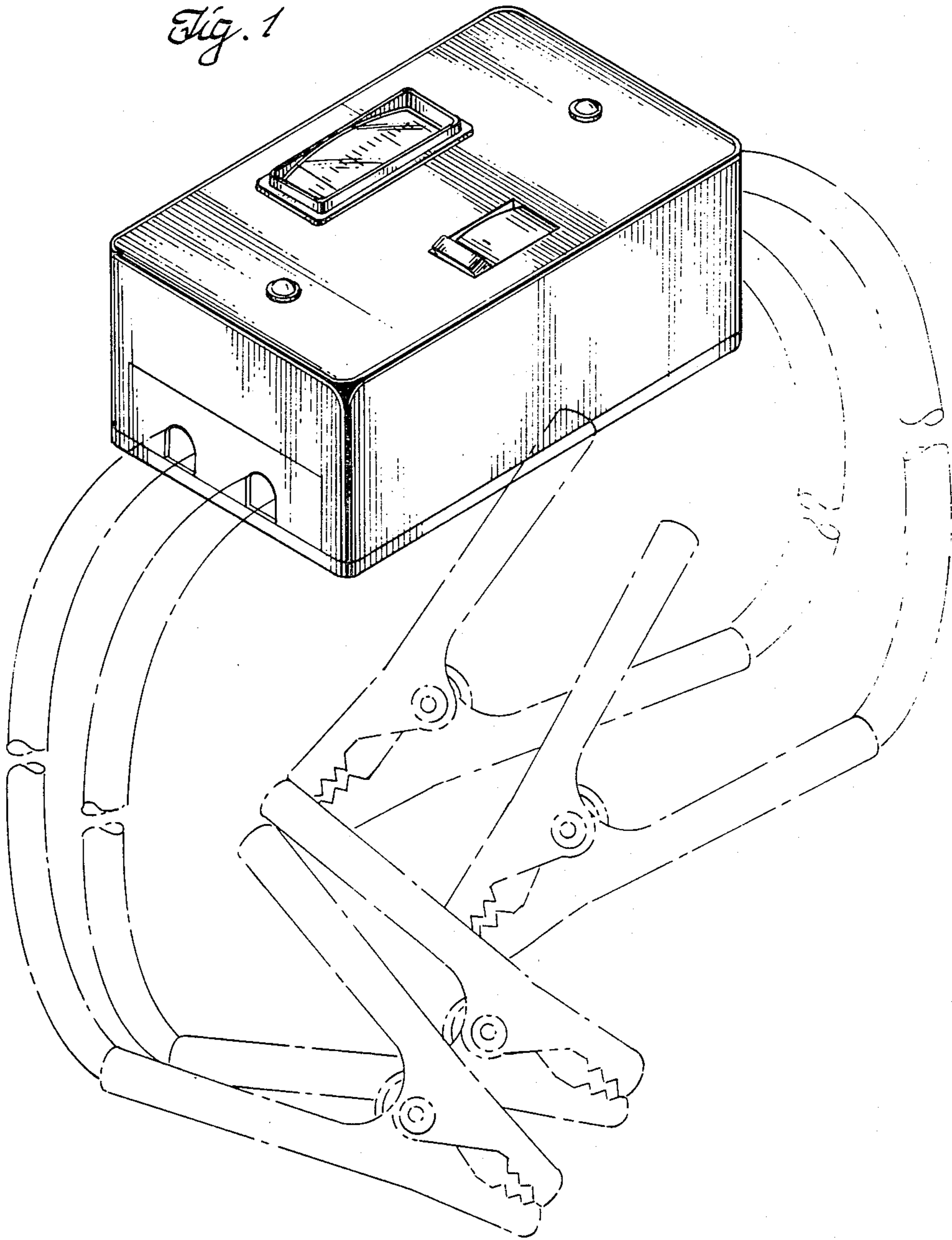


Fig. 4

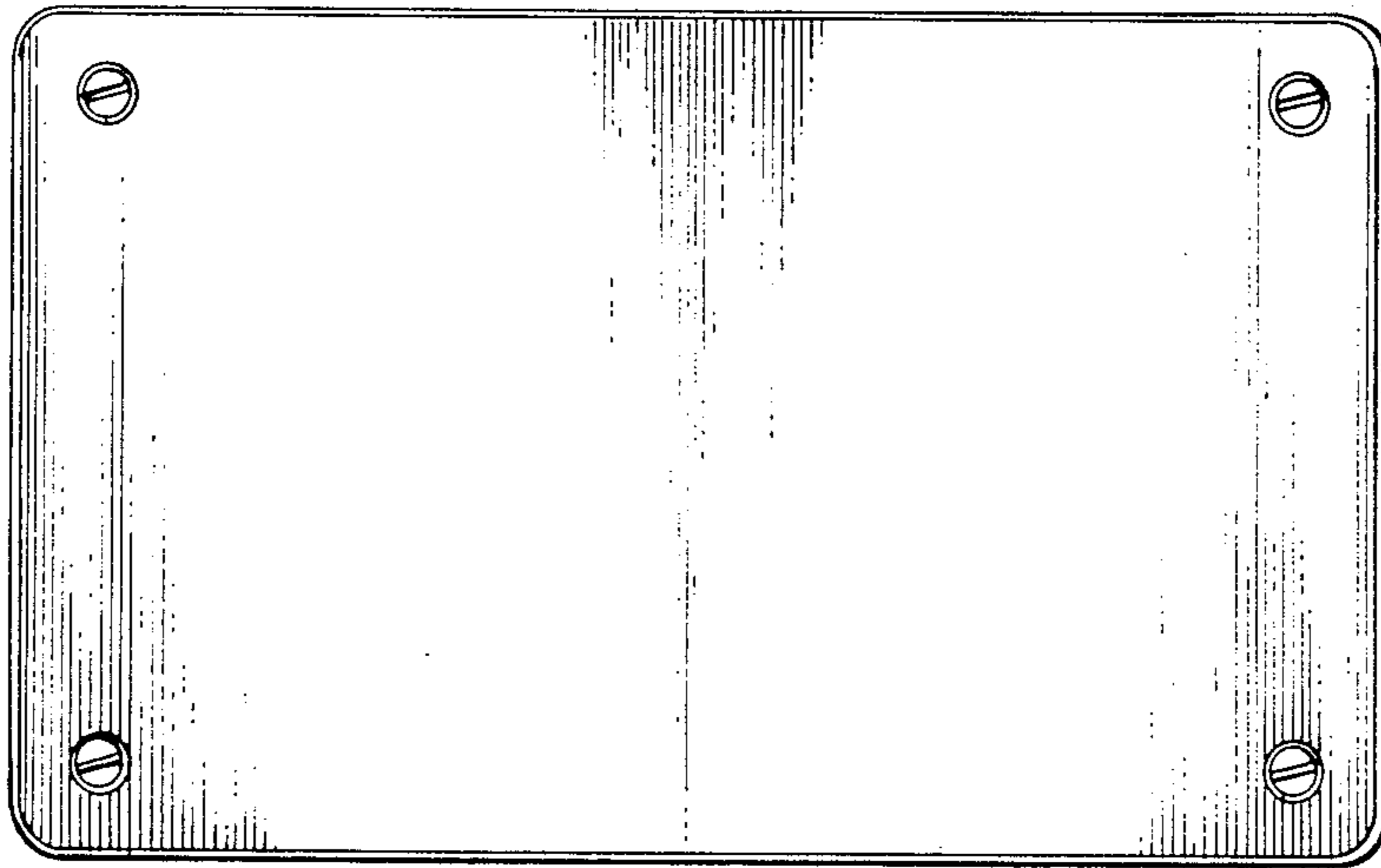


Fig. 5

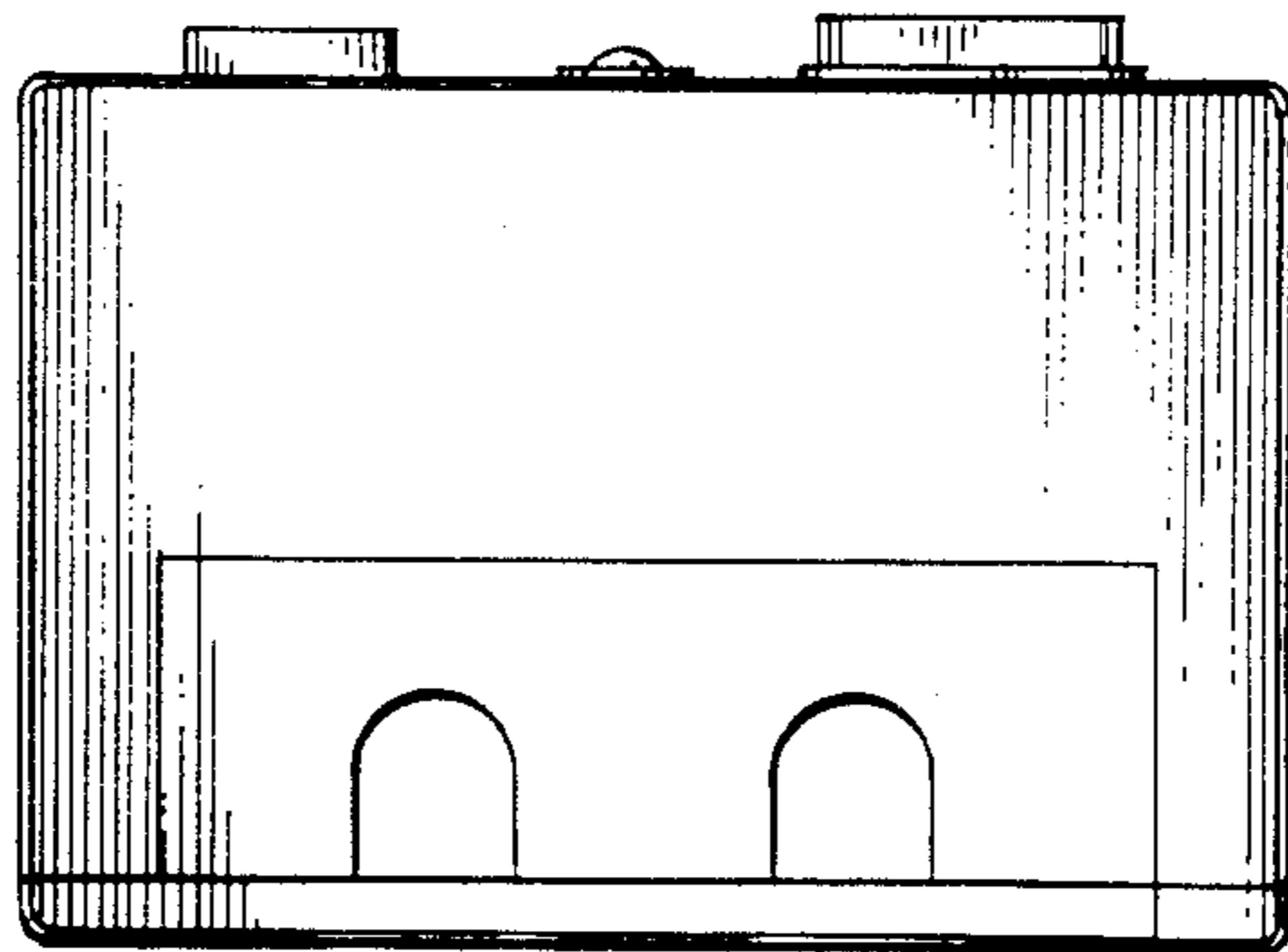


Fig. 2

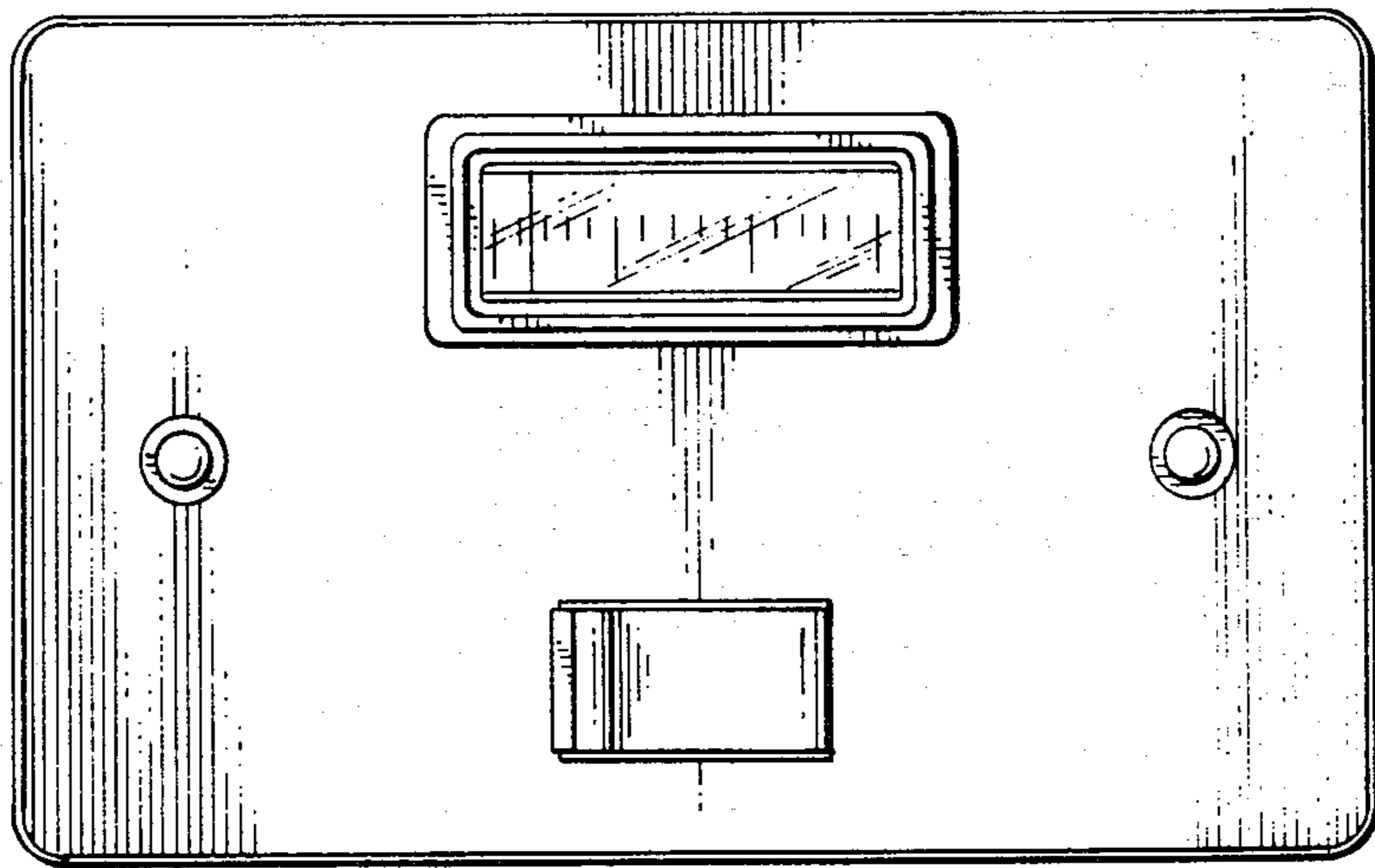


Fig. 3

