

[54] WATCH FRAME

4,473,304 9/1984 Ketner 368/276 X

[76] Inventor: Hung W. Kong, No. 5, Wanchai Rd., Fifth Floor, Hong Kong, Hong Kong

[**] Term: 14 Years

[21] Appl. No.: 600,822

[22] Filed: Apr. 16, 1984

[52] U.S. Cl. D10/128

[58] Field of Search D10/30-32, D10/37-39, 122, 123, 126, 128, 129; 368/276-278, 285, 280-283, 294, 295

[56] References Cited

U.S. PATENT DOCUMENTS

D. 157,607 3/1950 Lachman D10/38

OTHER PUBLICATIONS

Swiss Watch & Jewelry Journal, 11-12-1957, p. 443—Watch at center.

Primary Examiner—Louis S. Zarfes

[57] CLAIM

The ornamental design for a watch frame, as shown and described.

DESCRIPTION

FIG. 1 is a top plan view of a watch frame, showing my new design;

FIG. 2 is a bottom plan view thereof;

FIG. 3 is a right side elevation of FIG. 1;

FIG. 4 is a left side elevation of FIG. 1; and

FIG. 5 is a rear elevation of FIG. 1.

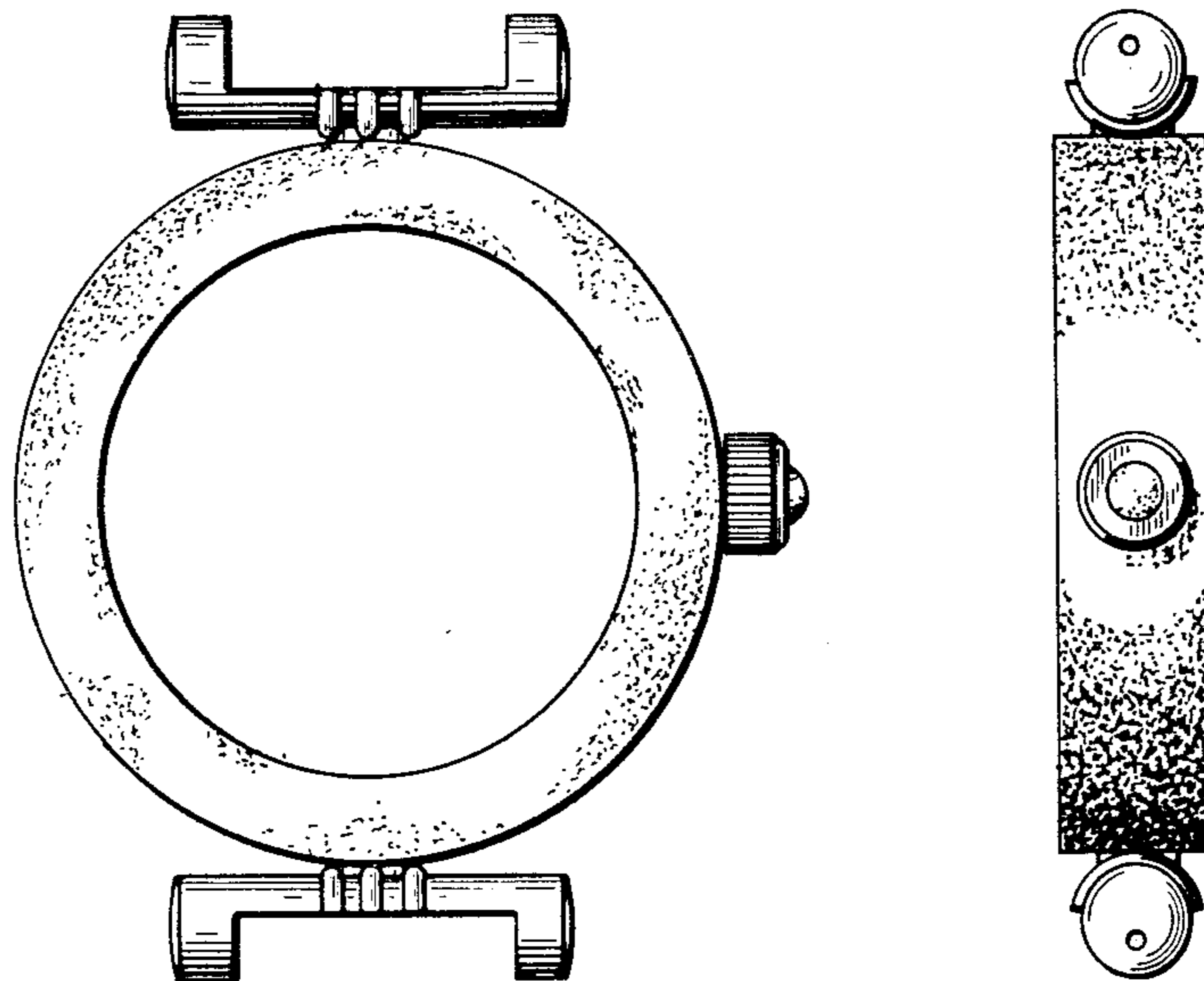


Fig. 1

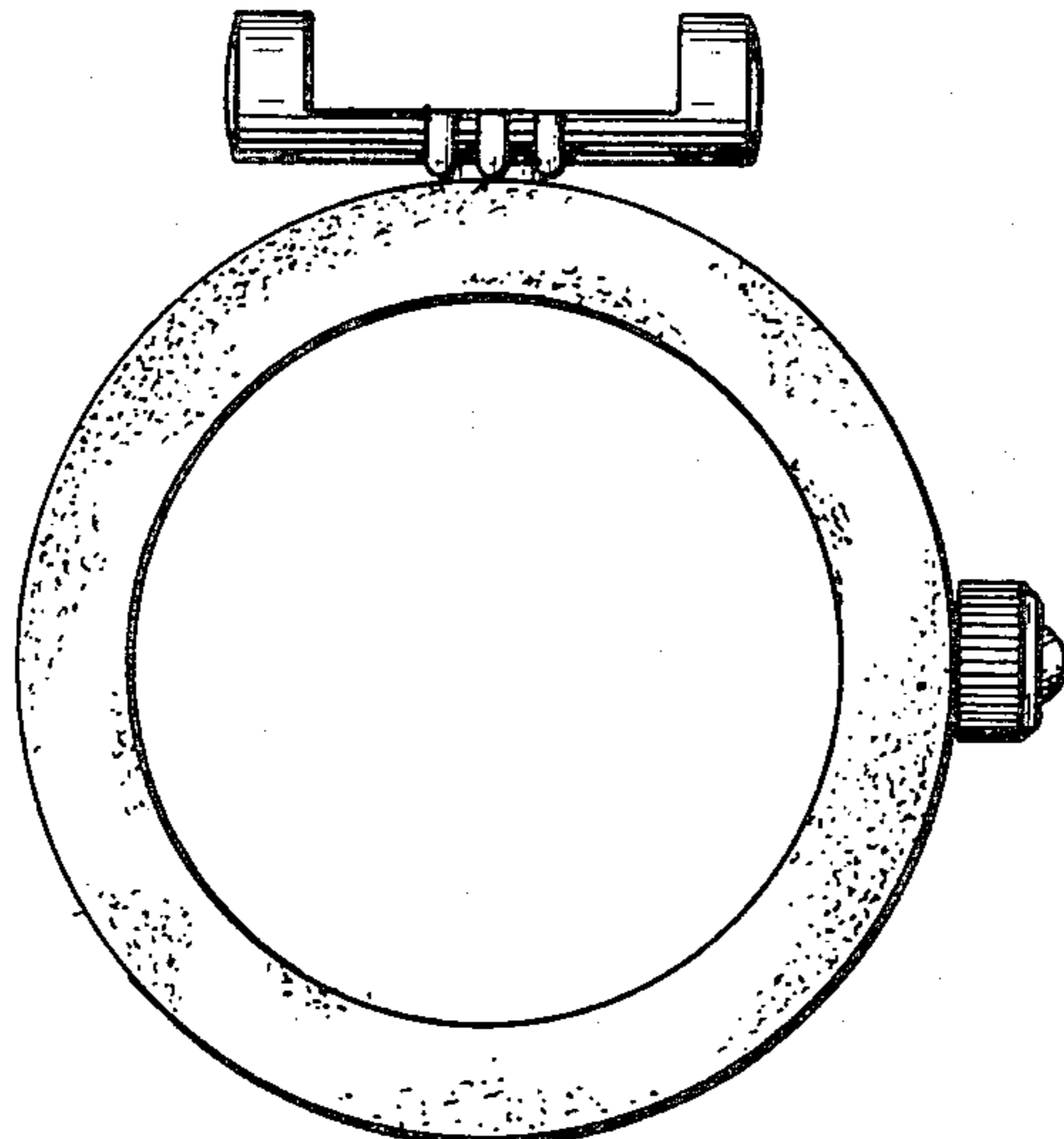


Fig. 2

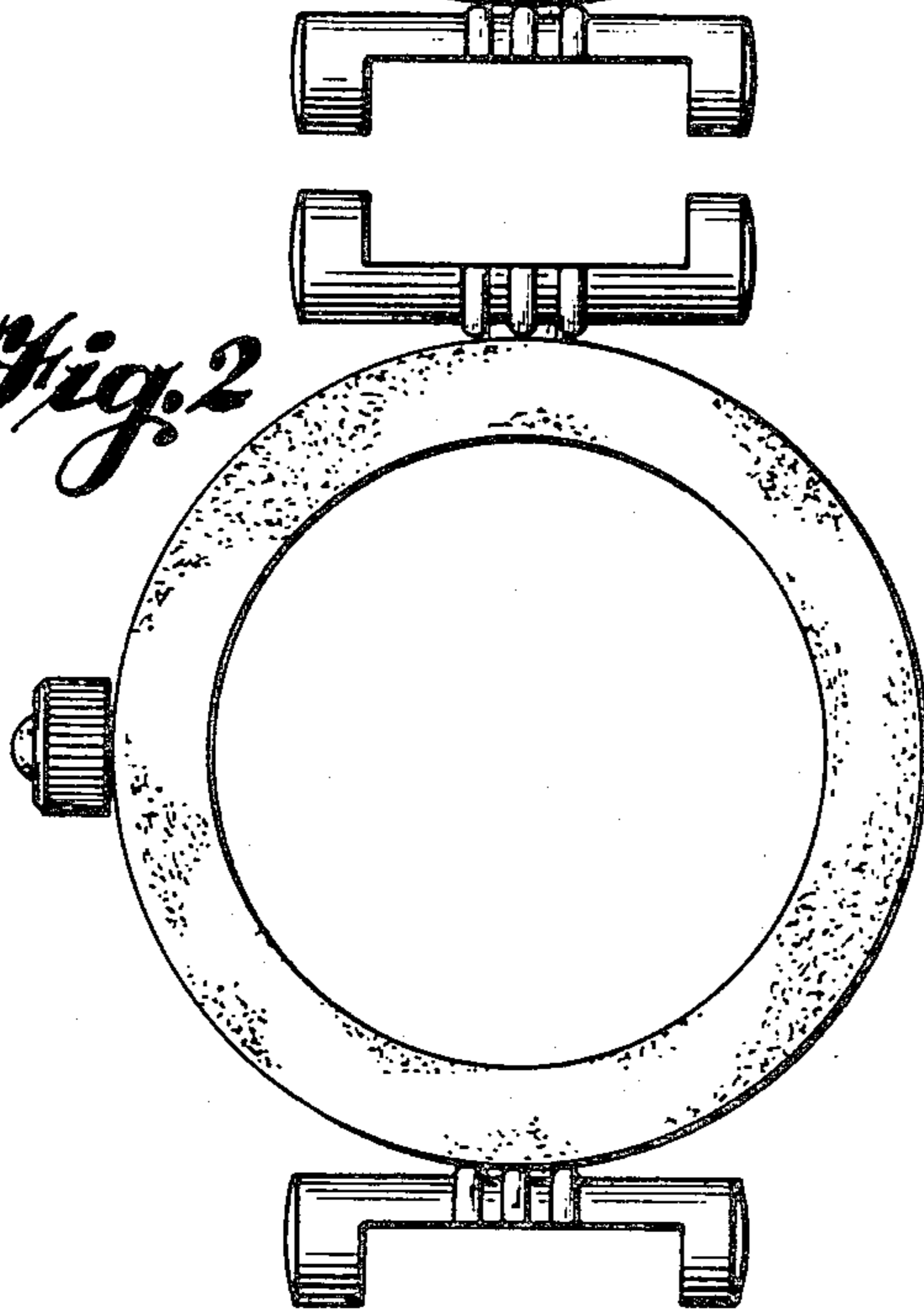


Fig. 4



Fig. 3

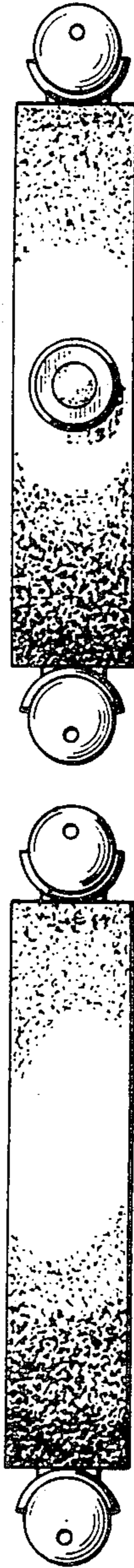


Fig. 5