

[54] COMBINED WRISTWATCH AND TOY ANIMAL FIGURE

[75] Inventor: Iwakichi Ogawa, Kashiwa, Japan

[73] Assignee: Takara Co., Ltd., Tokyo, Japan

[**] Term: 14 Years

[21] Appl. No.: 616,426

[22] Filed: May 30, 1984

[52] U.S. Cl. D10/34; D10/31; D10/32; D10/38; D21/150; D21/185; 368/10; 446/487

[58] Field of Search D10/2, 6, 30, 31, 32, D10/33, 34, 35, 38-39, 15; 368/10; D21/150, 185; 446/487, 69, 71-73, 76-77

[56] References Cited

U.S. PATENT DOCUMENTS

D. 167,006	6/1952	Schaper	D21/185
D. 227,682	7/1973	David	D21/185
D. 258,746	3/1981	Jones	D21/128
D. 272,894	3/1984	Kodaka	D21/185 X
D. 275,586	9/1984	Matsuda	D21/144
4,206,564	6/1980	Ogawa	446/94
4,456,384	6/1984	Murakami	446/487
4,482,256	11/1984	Matsuda	368/277 X

Primary Examiner—Nelson C. Holtje
Attorney, Agent, or Firm—Price, Gess & Ubell

[57] CLAIM

The ornamental design for a combined wristwatch and toy animal figure, substantially as shown and described.

DESCRIPTION

FIG. 1 is a top plan view of a combined wristwatch and toy animal figure showing my new design;
 FIG. 2 is a bottom plan view thereof;
 FIG. 3 is a right side elevational view thereof;
 FIG. 4 is a left side elevational view thereof;
 FIG. 5 is a top end elevational view thereof;
 FIG. 6 is a bottom end elevational view thereof;
 FIG. 7 is a top plan view of the watch body, the band/holder being omitted for clarity of illustration;
 FIG. 8 is a bottom plan view of FIG. 7;
 FIG. 9 is a top end elevational view of FIG. 7;
 FIG. 10 is a bottom end elevational view of FIG. 7;
 FIG. 11 is a right side elevational view of FIG. 7;
 FIG. 12 is a left side elevational view of FIG. 7;
 FIG. 13 is a top plan view of the watch body reconfigured into the form of an insect, the band/holder being omitted for clarity of illustration;
 FIG. 14 is a bottom plan view of FIG. 13;
 FIG. 15 is a top/front elevational view of FIG. 14;
 FIG. 16 is a bottom/rear elevational view of FIG. 13;
 FIG. 17 is a right side elevational view of FIG. 13;
 FIG. 18 is a left side elevational view of FIG. 13;
 FIG. 19 is a top plan view of the band/holder with the watch body omitted for clarity of illustration;
 FIG. 20 is a bottom plan view of FIG. 19;
 FIG. 21 is a top and right side perspective view of FIG. 1;
 FIG. 22 is a top and right rear perspective view of FIG. 13.

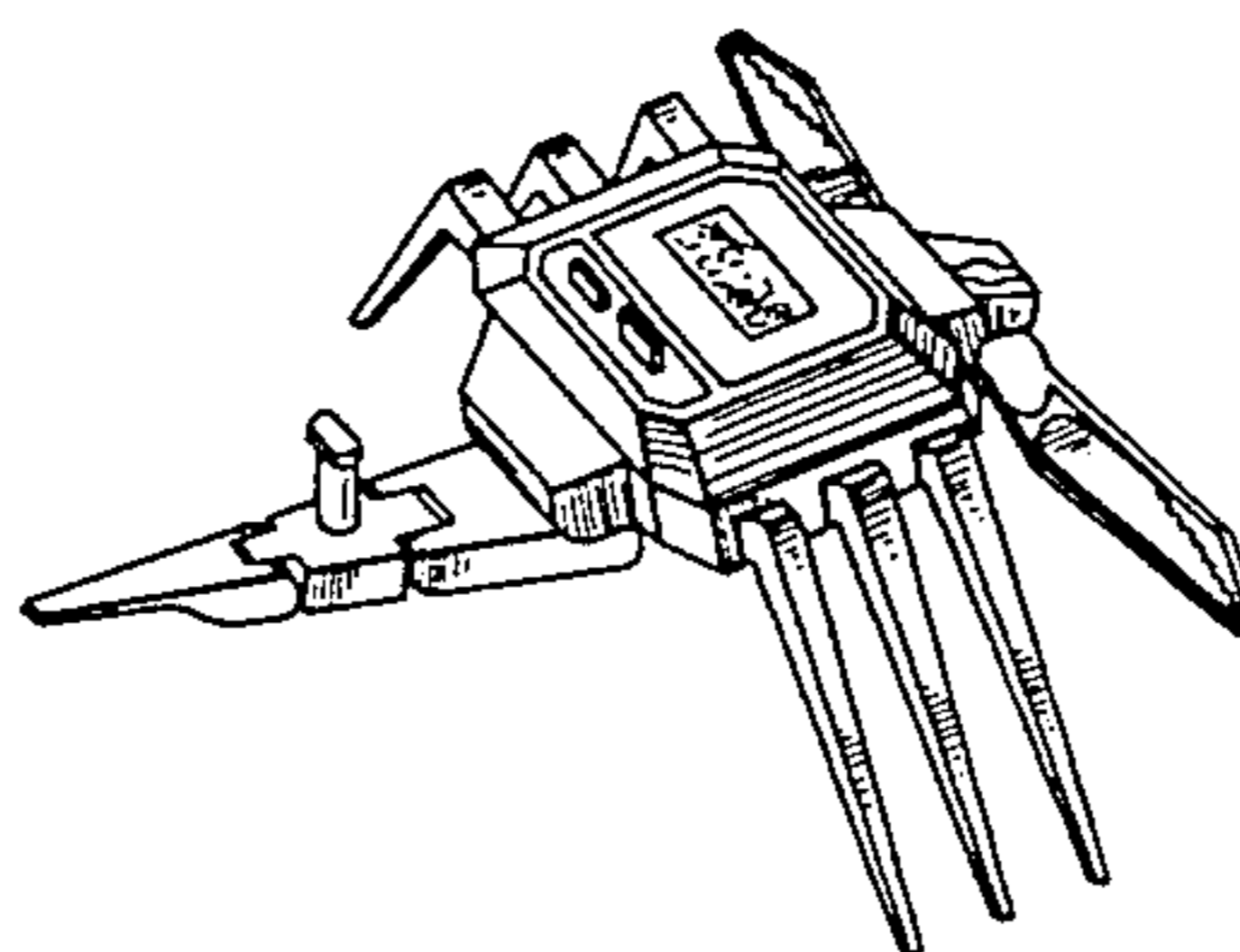
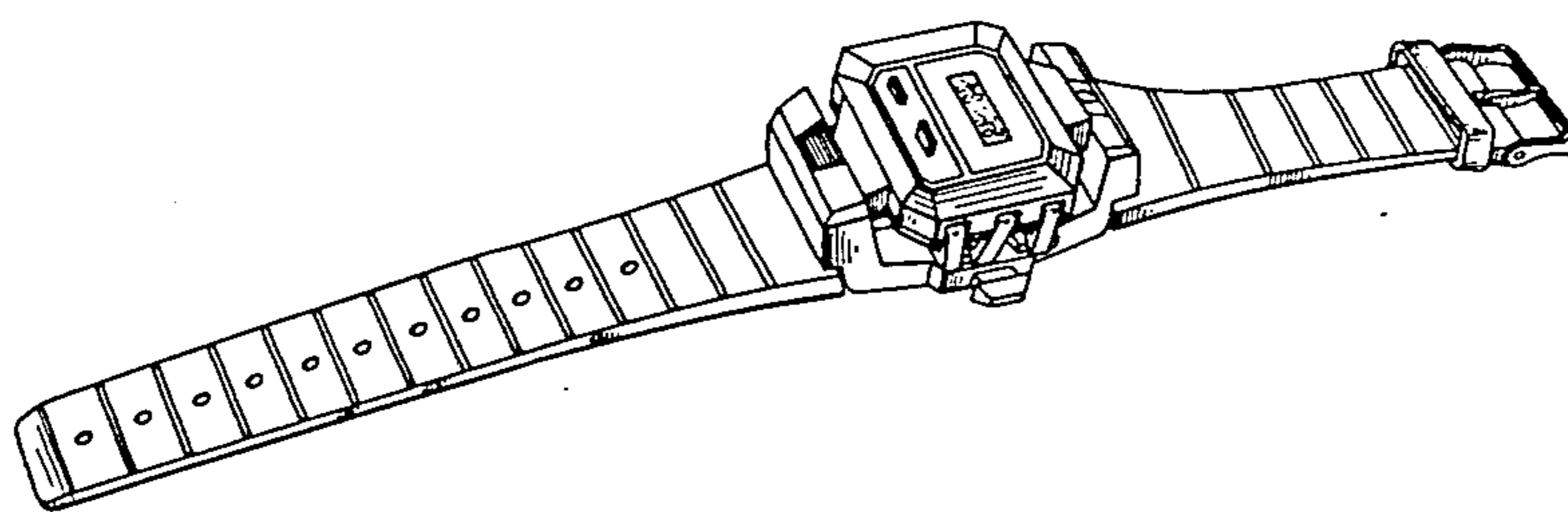


FIG.3

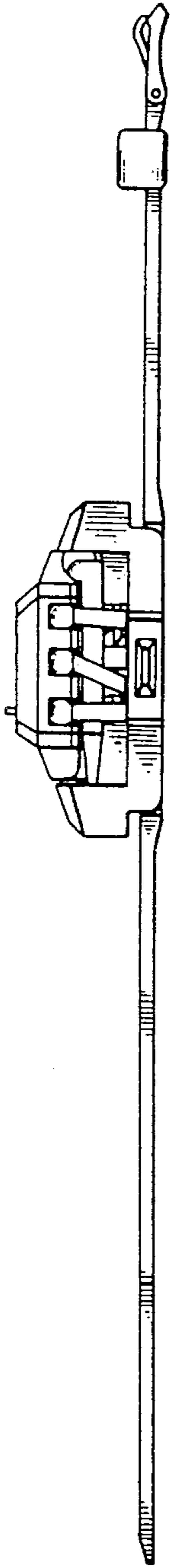


FIG.2

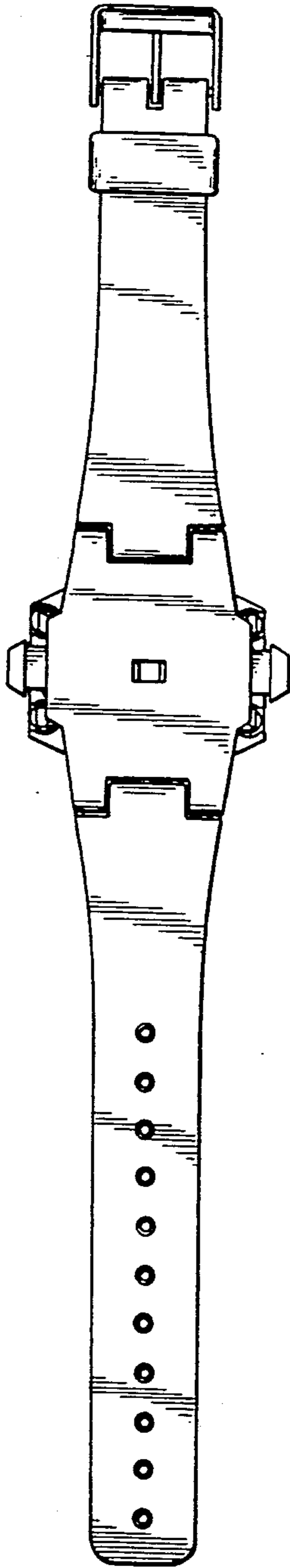


FIG.1

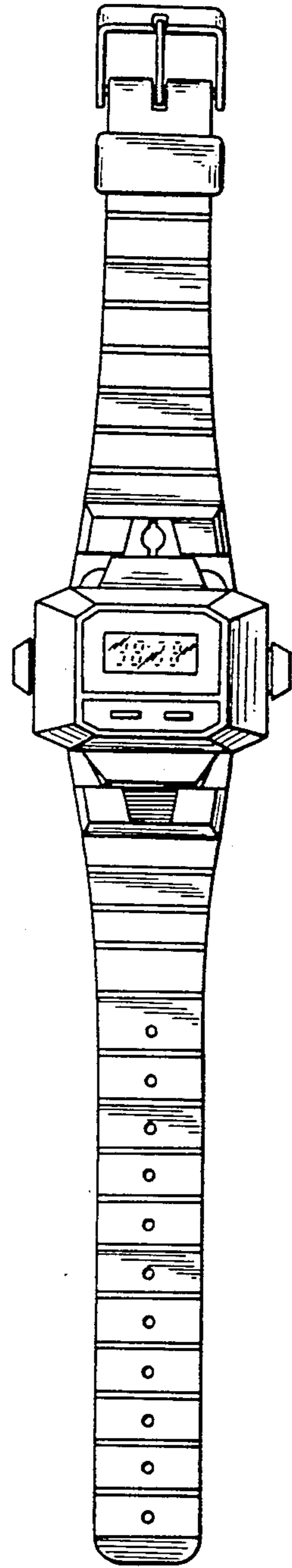


FIG.5

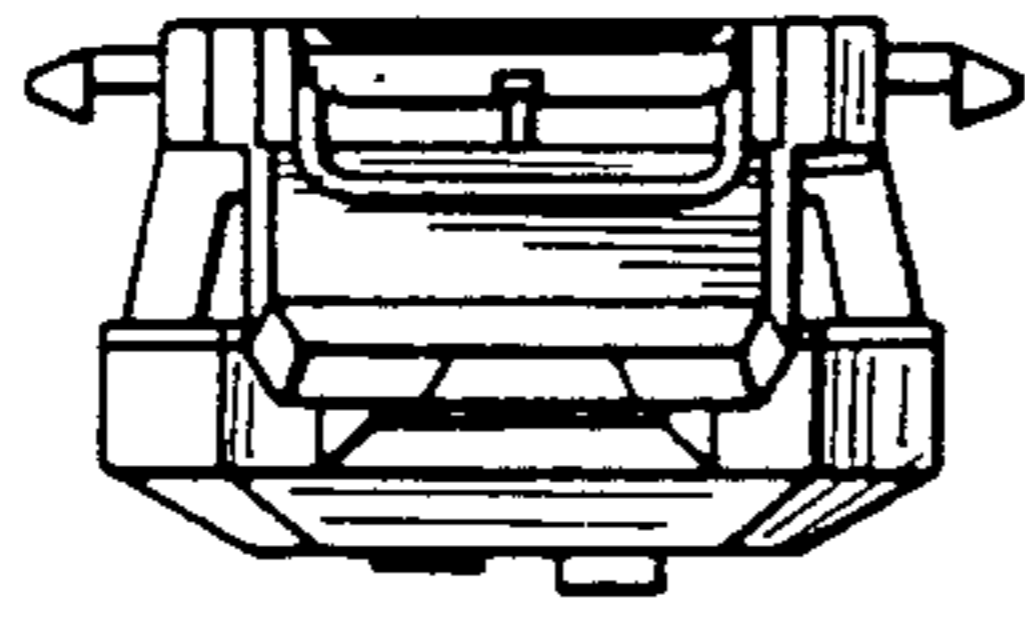


FIG.4

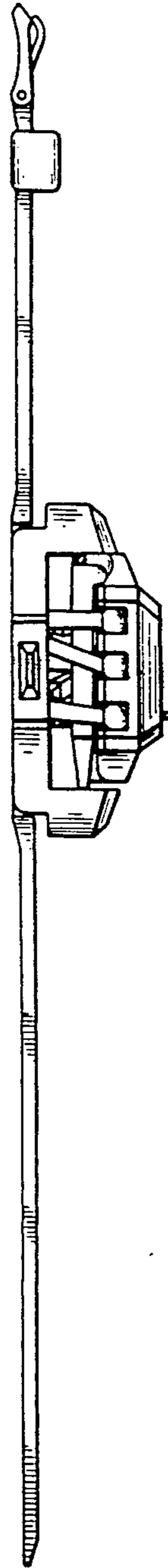


FIG.6

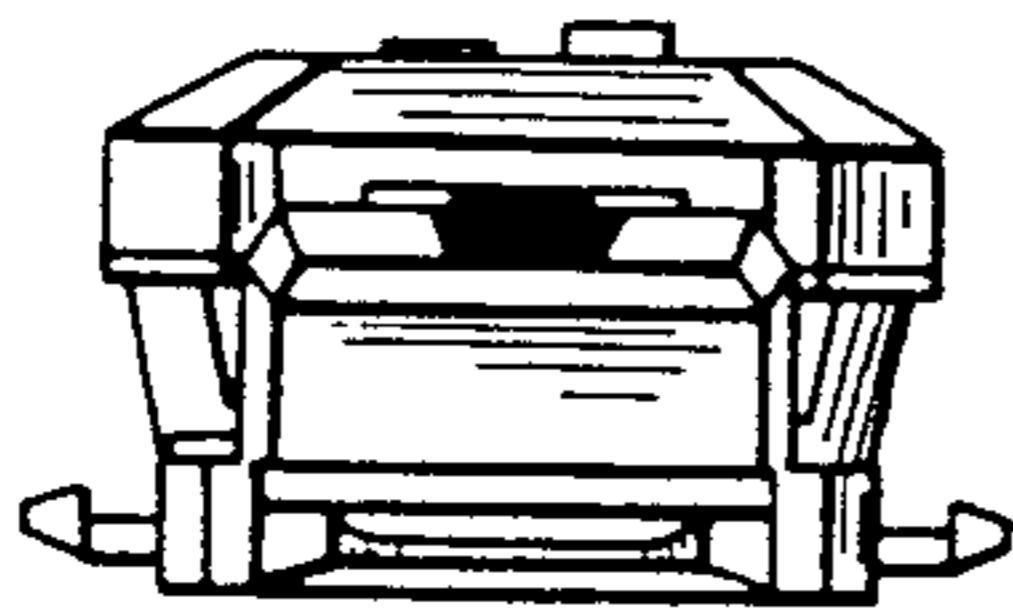


FIG. 7

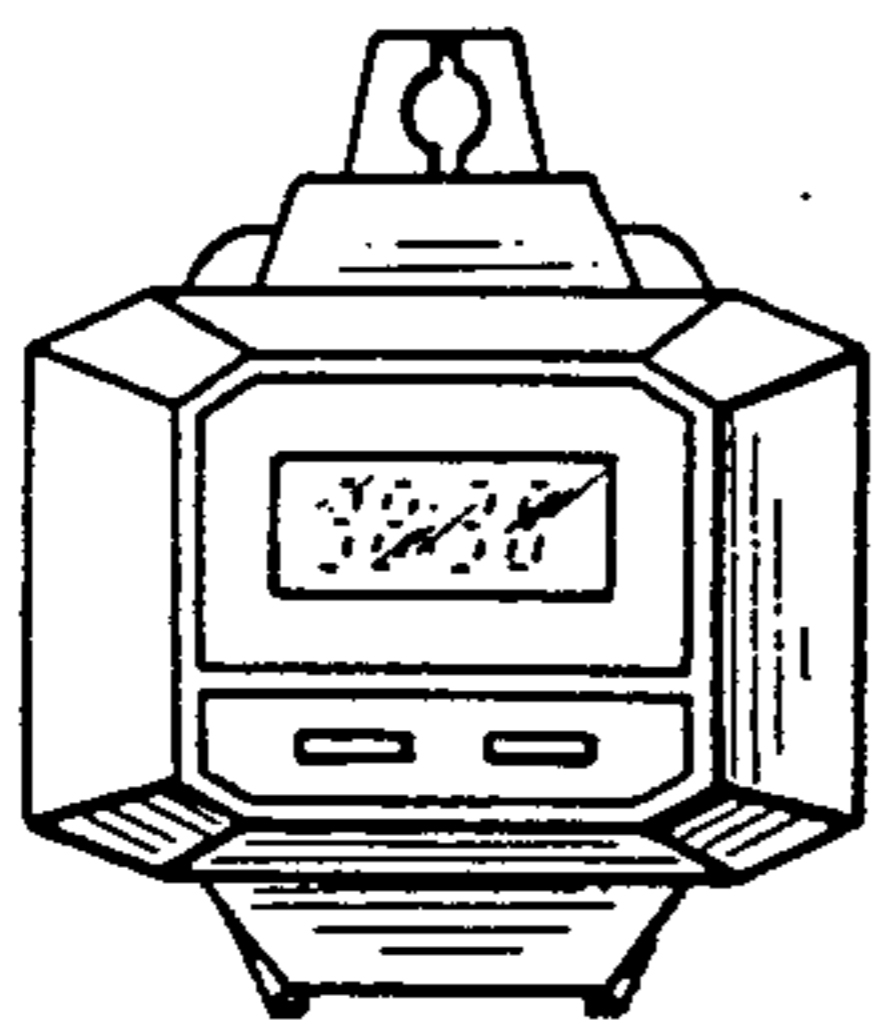


FIG. 8

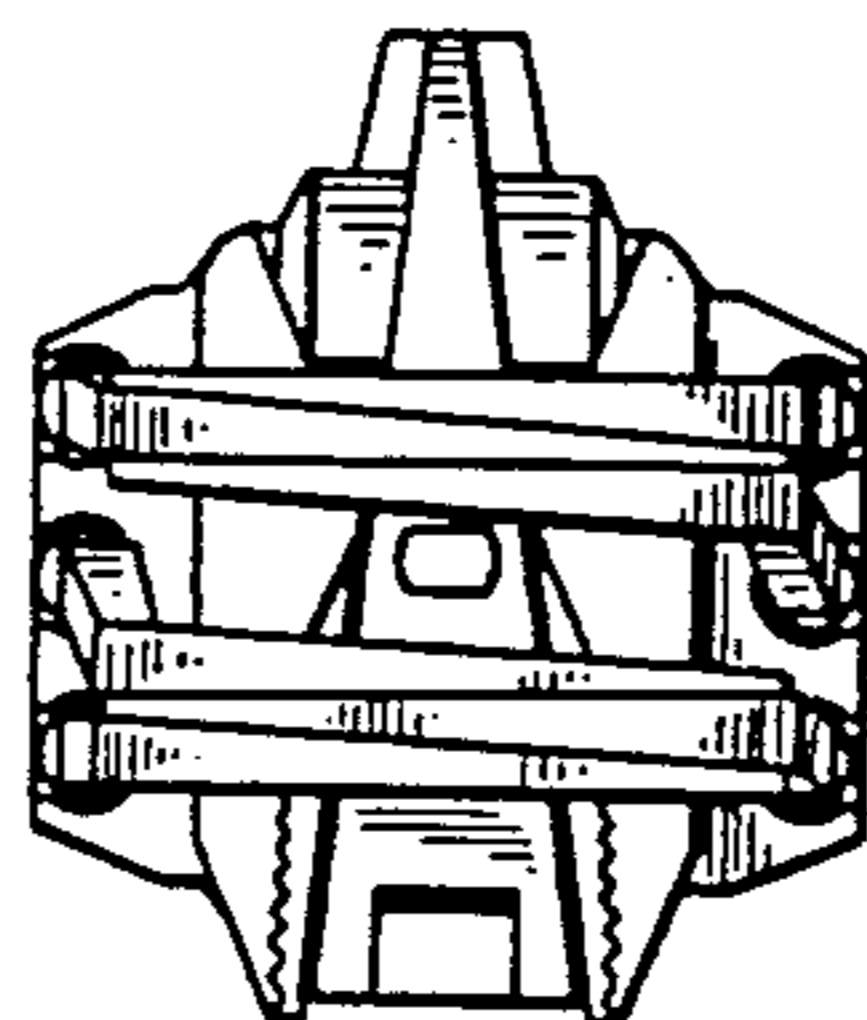


FIG. 9

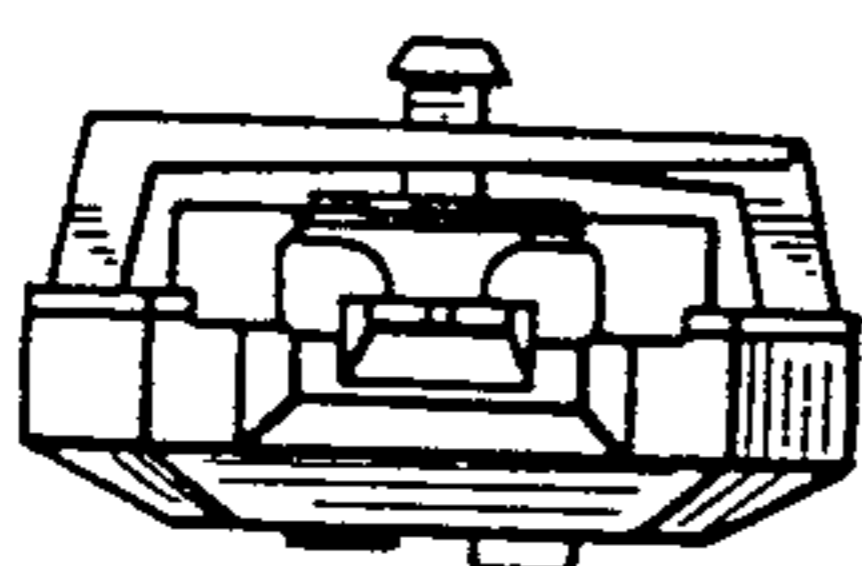


FIG. 10

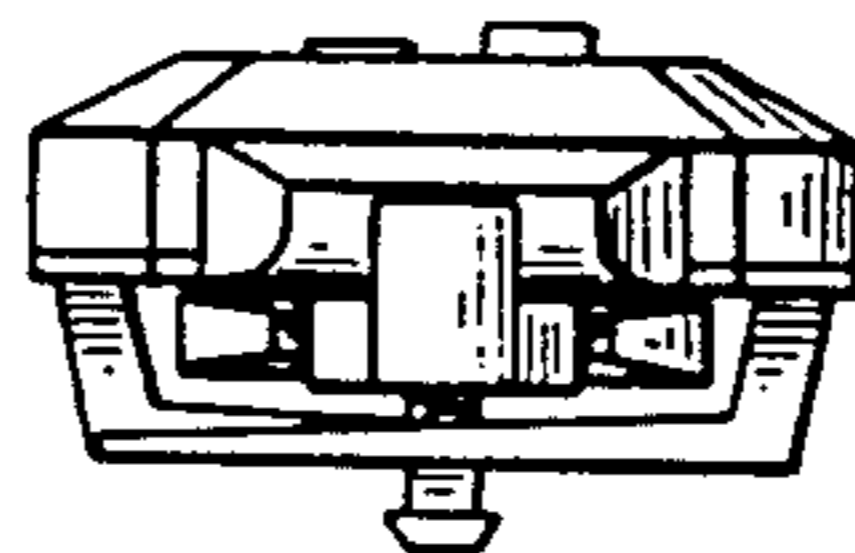


FIG. 11

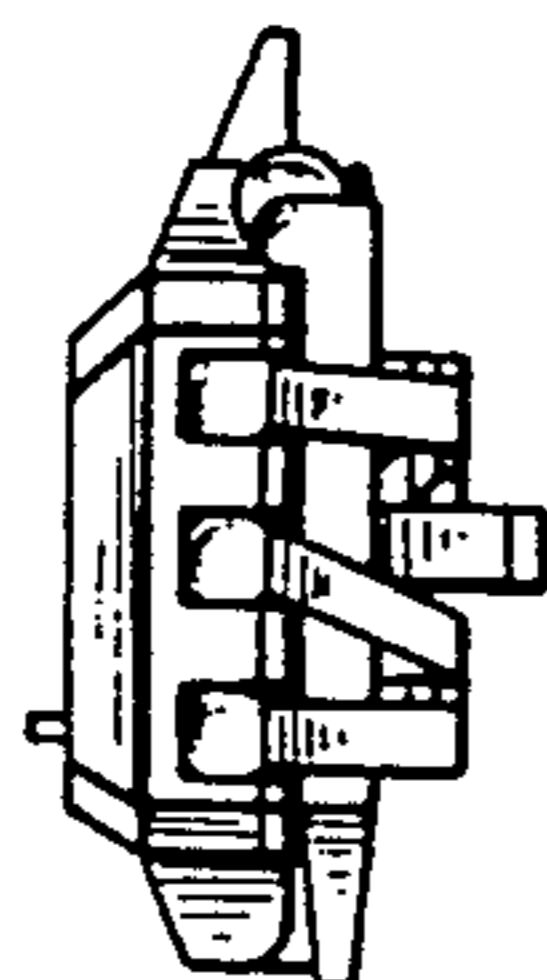


FIG. 12

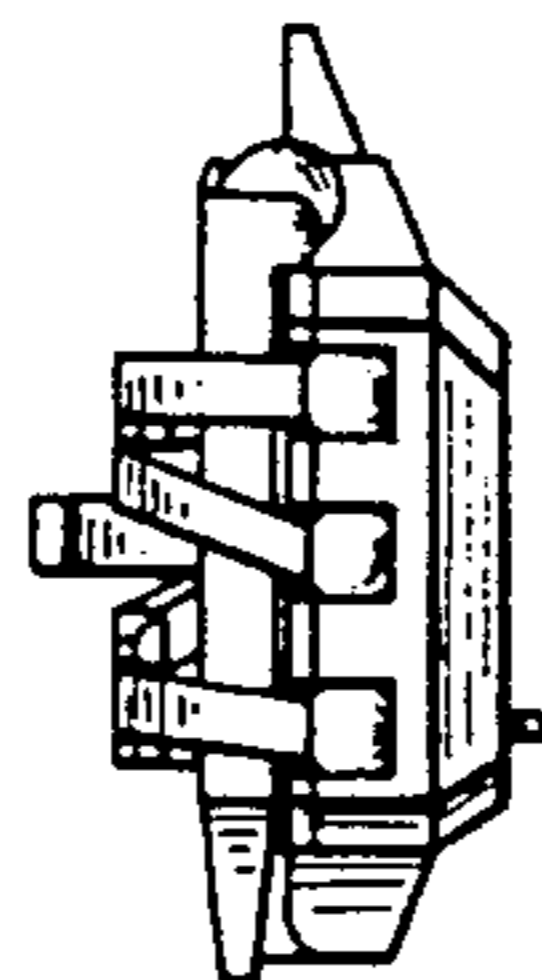


FIG.14

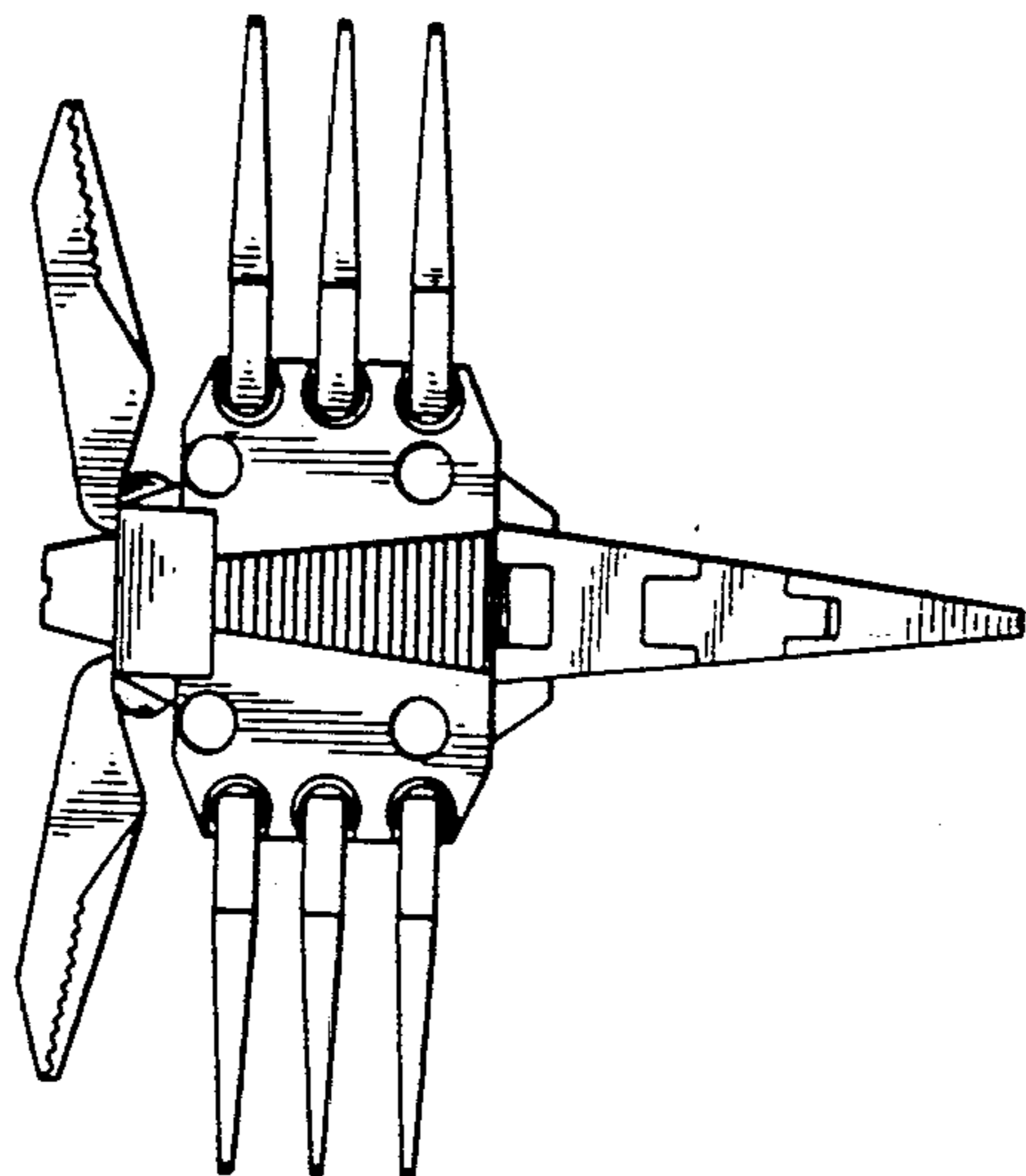


FIG.16

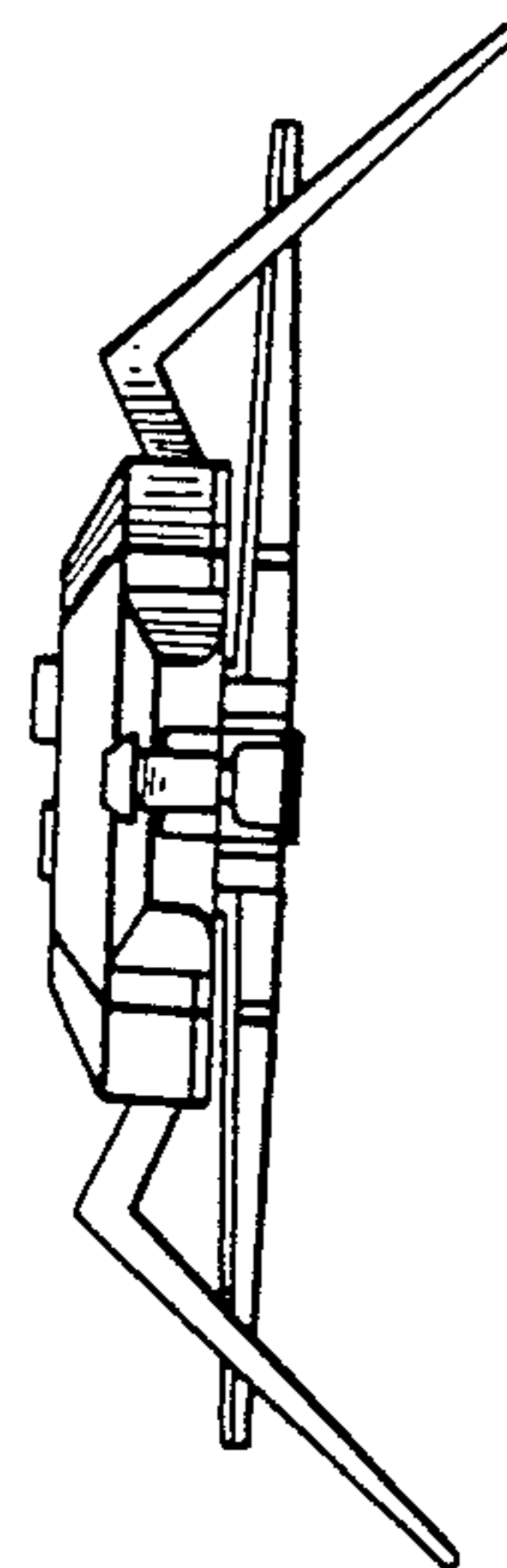


FIG.13

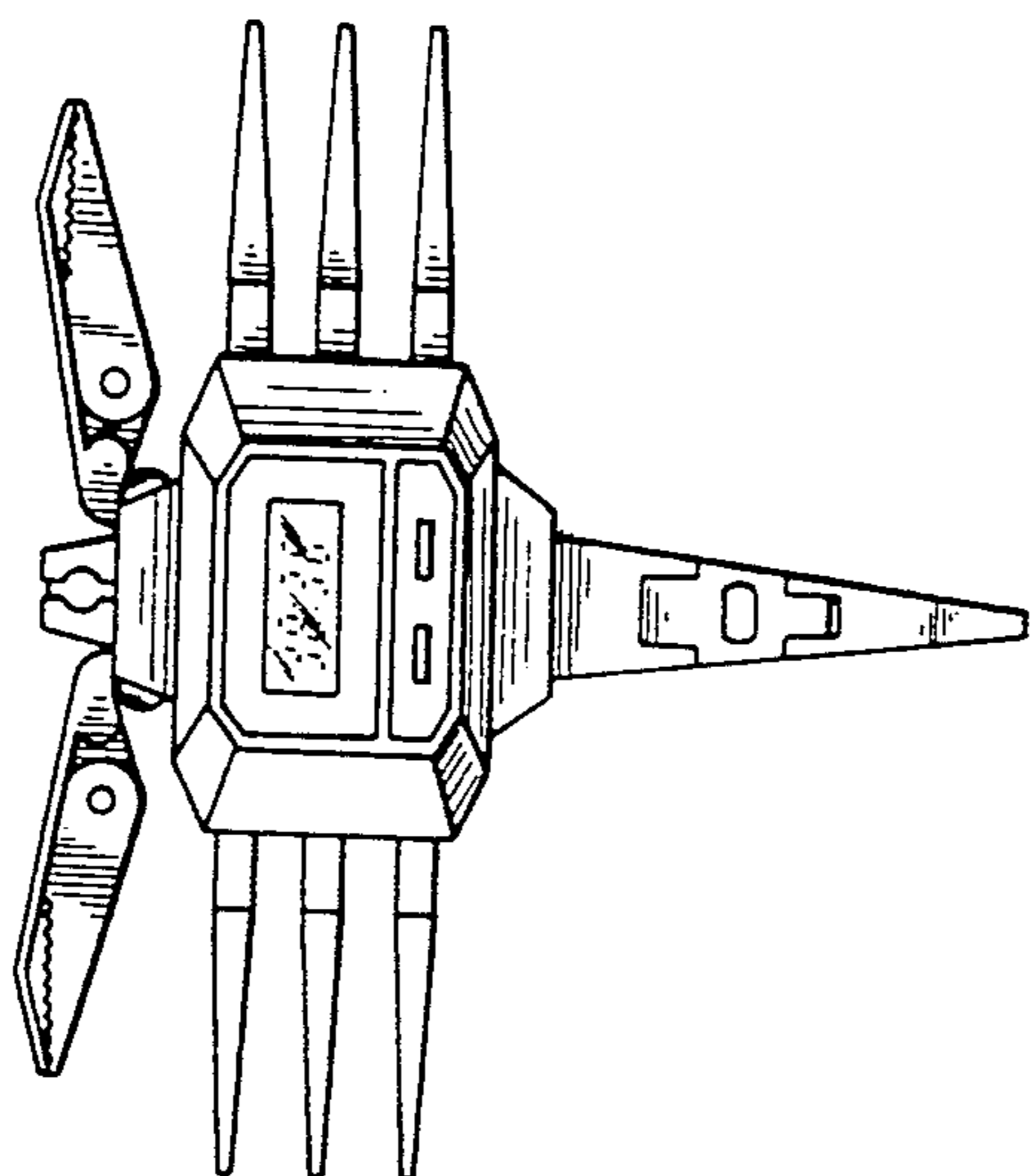


FIG.15

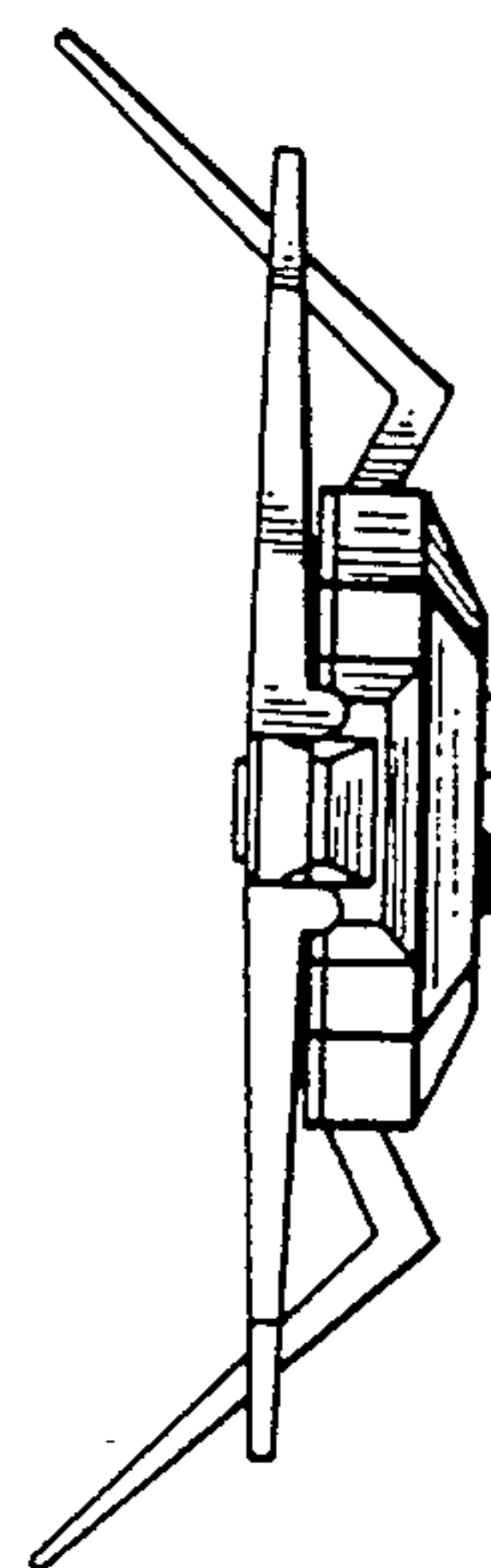


FIG.18

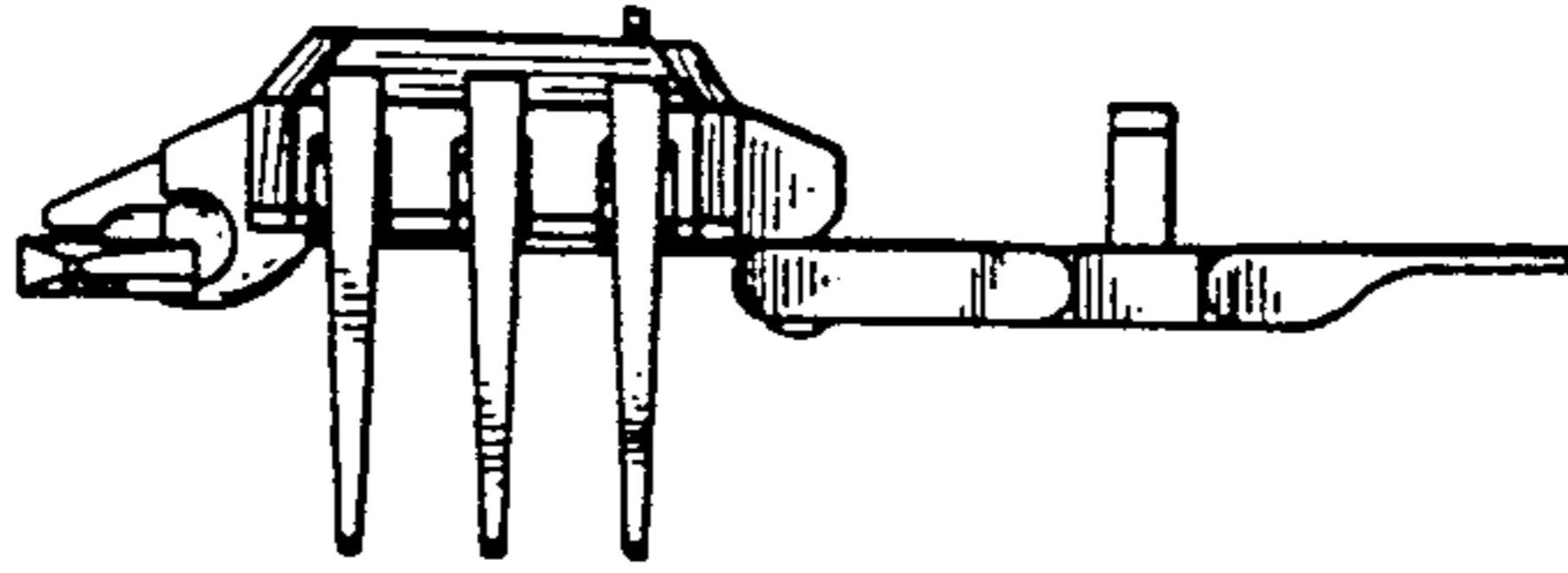


FIG.17

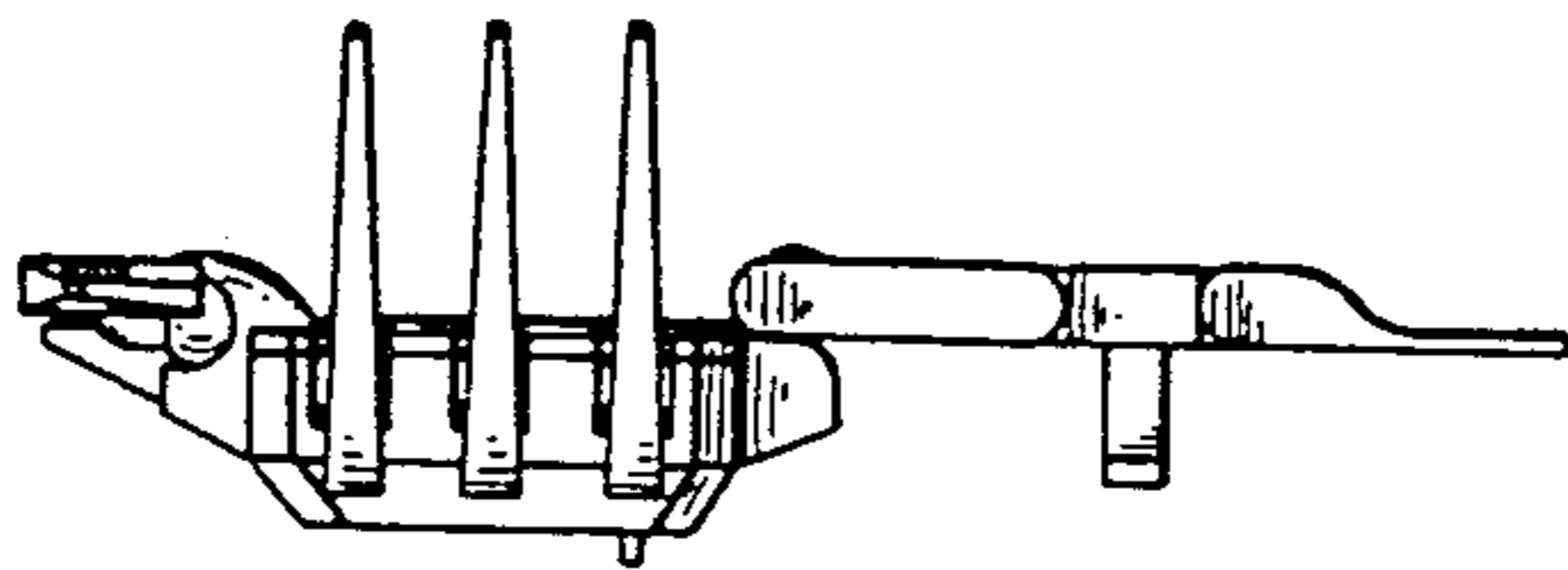
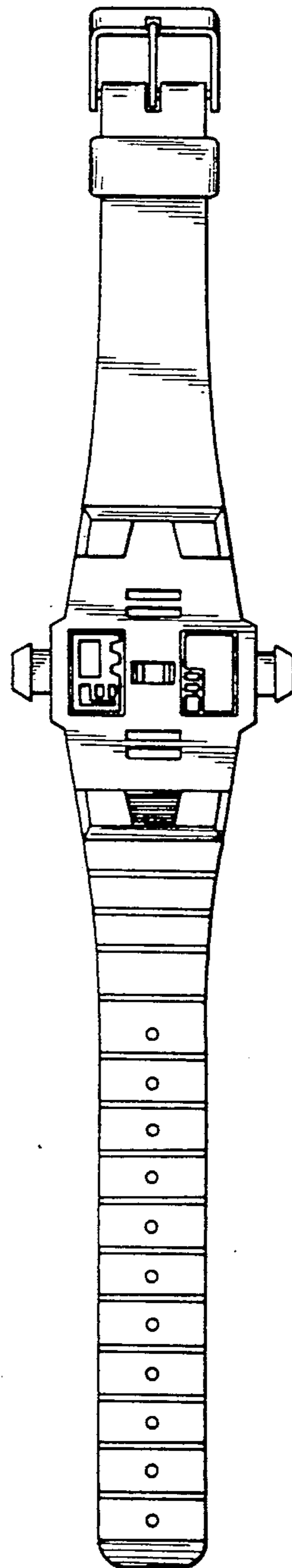
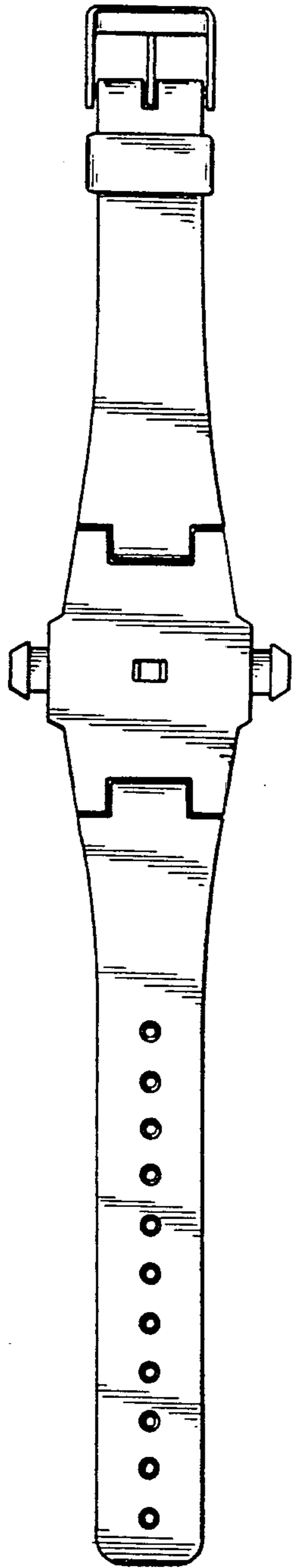


FIG. 20

FIG. 19



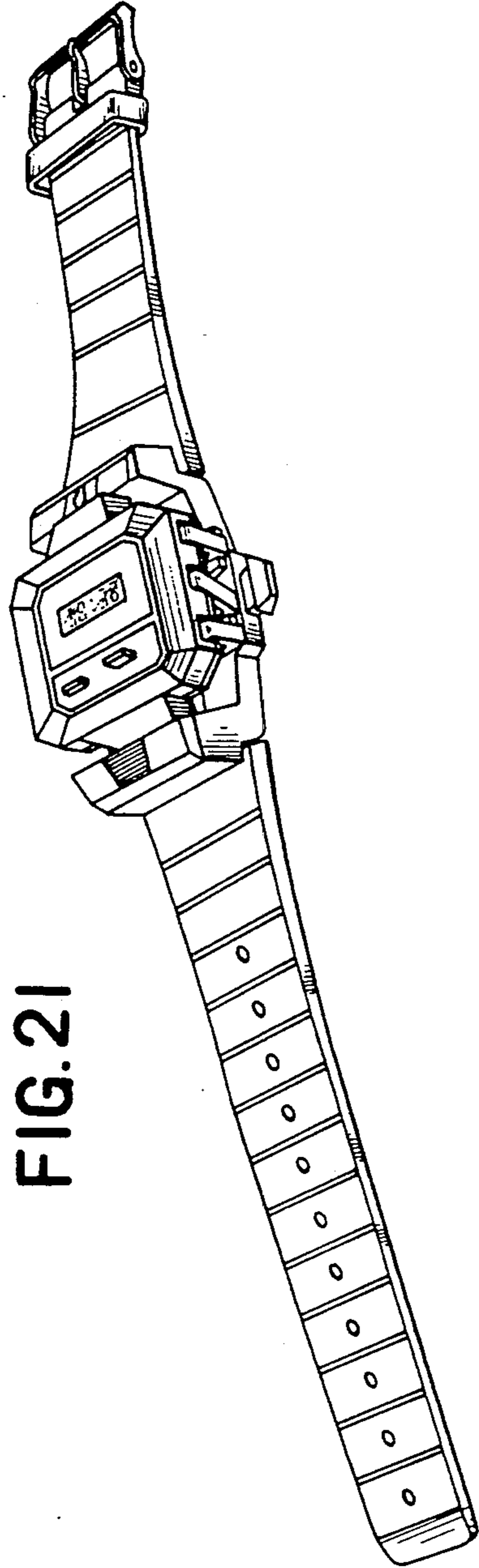


FIG. 21

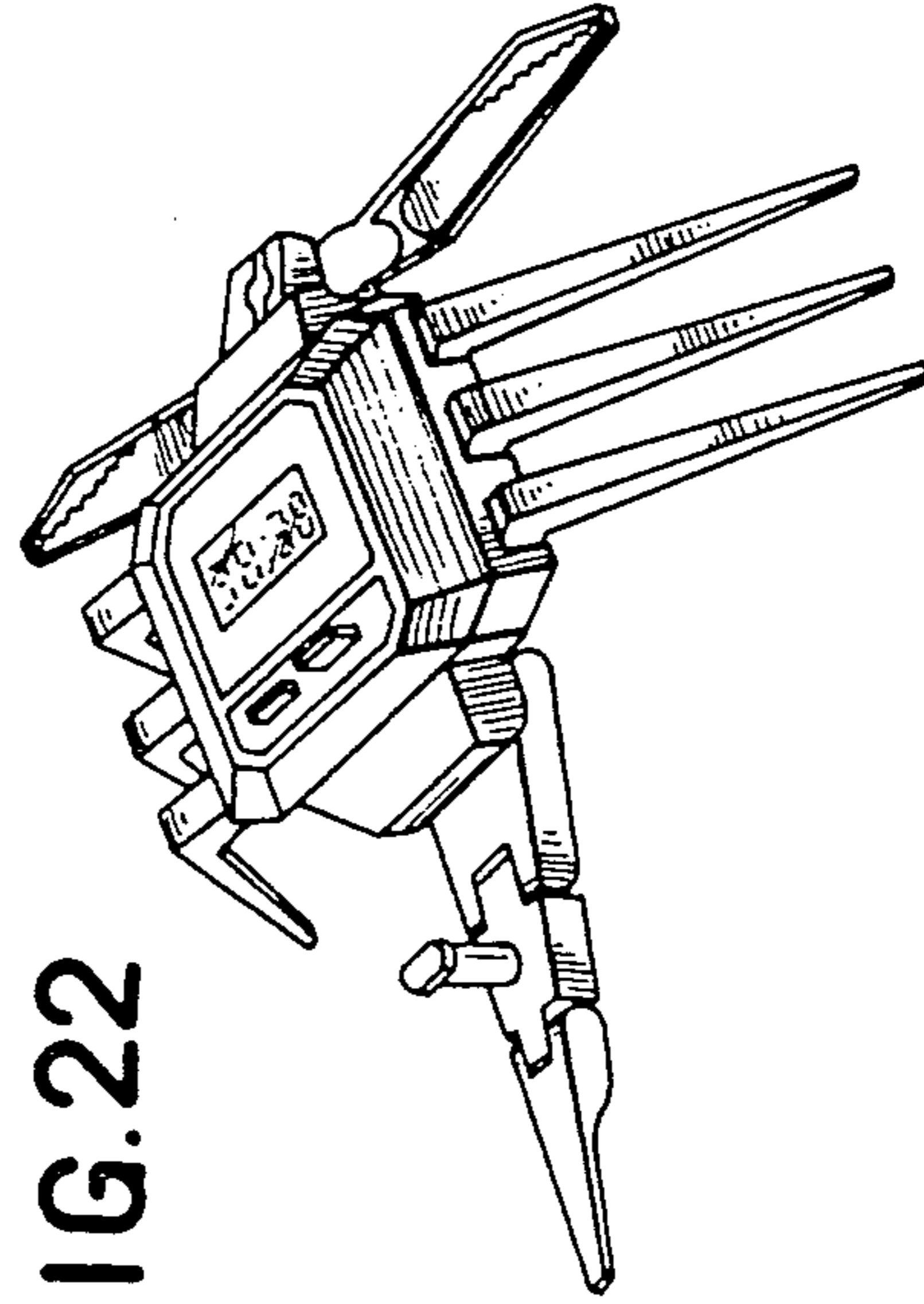


FIG. 22