

[54] **COMBINED TRAY AND COVER**

[75] Inventors: **Wilfred L. Jones, Crafta Webb; Nigel A. Dent**, Headington, both of England

[73] Assignee: **Imperial Chemical Industries PLC**, London, England

[\*\*] Term: **14 Years**

[21] Appl. No.: **599,556**

[22] Filed: **Apr. 12, 1984**

[30] **Foreign Application Priority Data**

Oct. 12, 1983	[GB]	United Kingdom	1015629
[52]	U.S. Cl.		<b>D9/425</b>
[58]	Field of Search	D7/16; D9/424, 425, D9/435, 341, 347; D34/40, 43; 206/506; 220/94 A; 229/43	

[56] **References Cited**

**U.S. PATENT DOCUMENTS**

D. 95,429	4/1935	James et al.	D9/341
D. 218,629	9/1970	Wasselbach	D9/425 X
D. 267,703	1/1983	Chase et al.	D9/435
D. 275,833	10/1984	Malpass	D9/341
D. 276,026	10/1984	Hexamer	D9/425

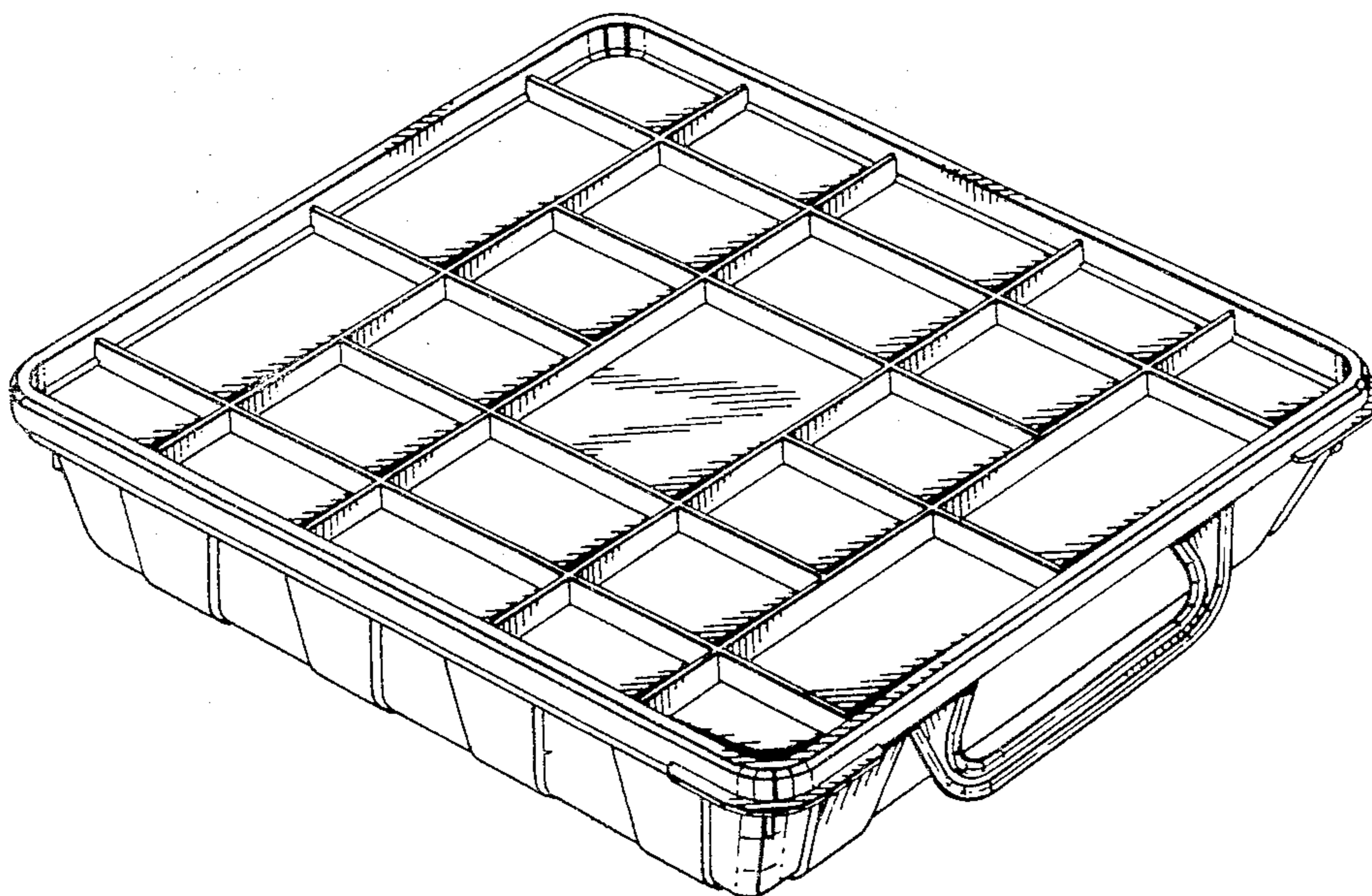
*Primary Examiner*—Robert C. Spangler  
*Attorney, Agent, or Firm*—Cushman, Darby & Cushman

[57] **CLAIM**

The ornamental design for a combined tray and cover, as shown and described.

**DESCRIPTION**

FIG. 1 is a perspective view of a combined tray and cover showing our new design; FIG. 2 is a front elevational view thereof; FIG. 3 is a rear elevational view thereof; FIG. 4 is a bottom plan view thereof; and FIG. 5 is a right side elevational view thereof, the left side being a mirror image thereof.



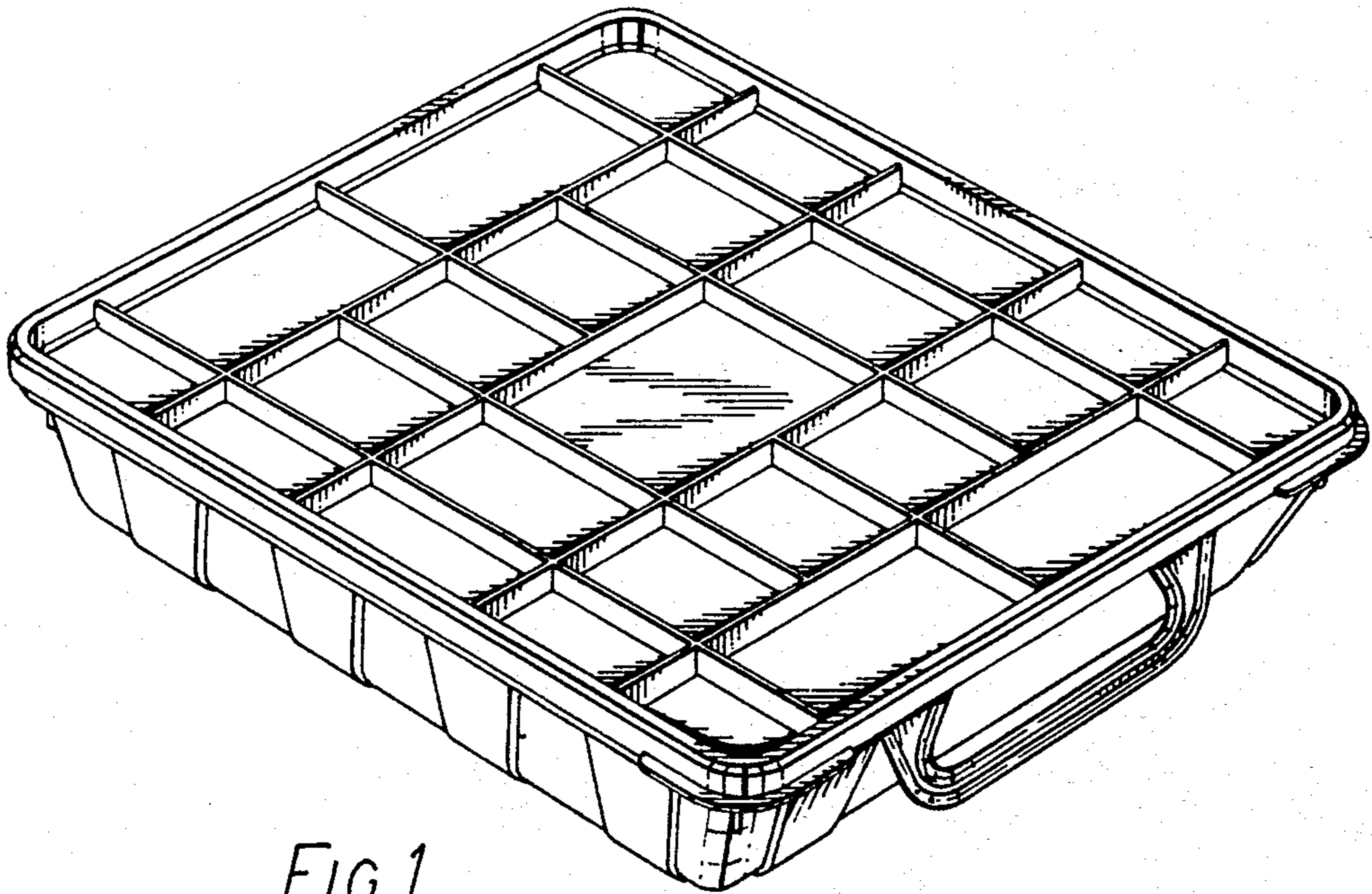


FIG. 1

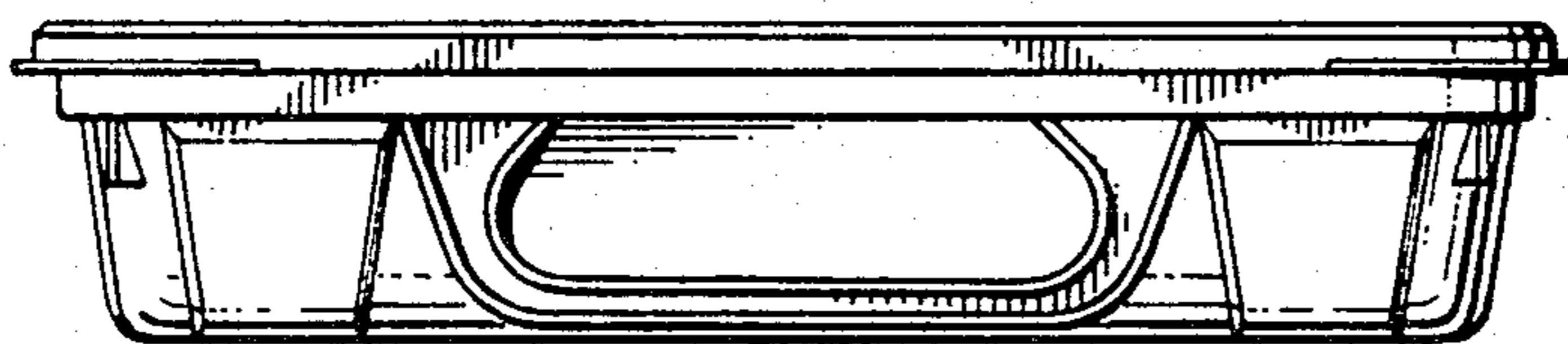


FIG. 2



FIG. 3

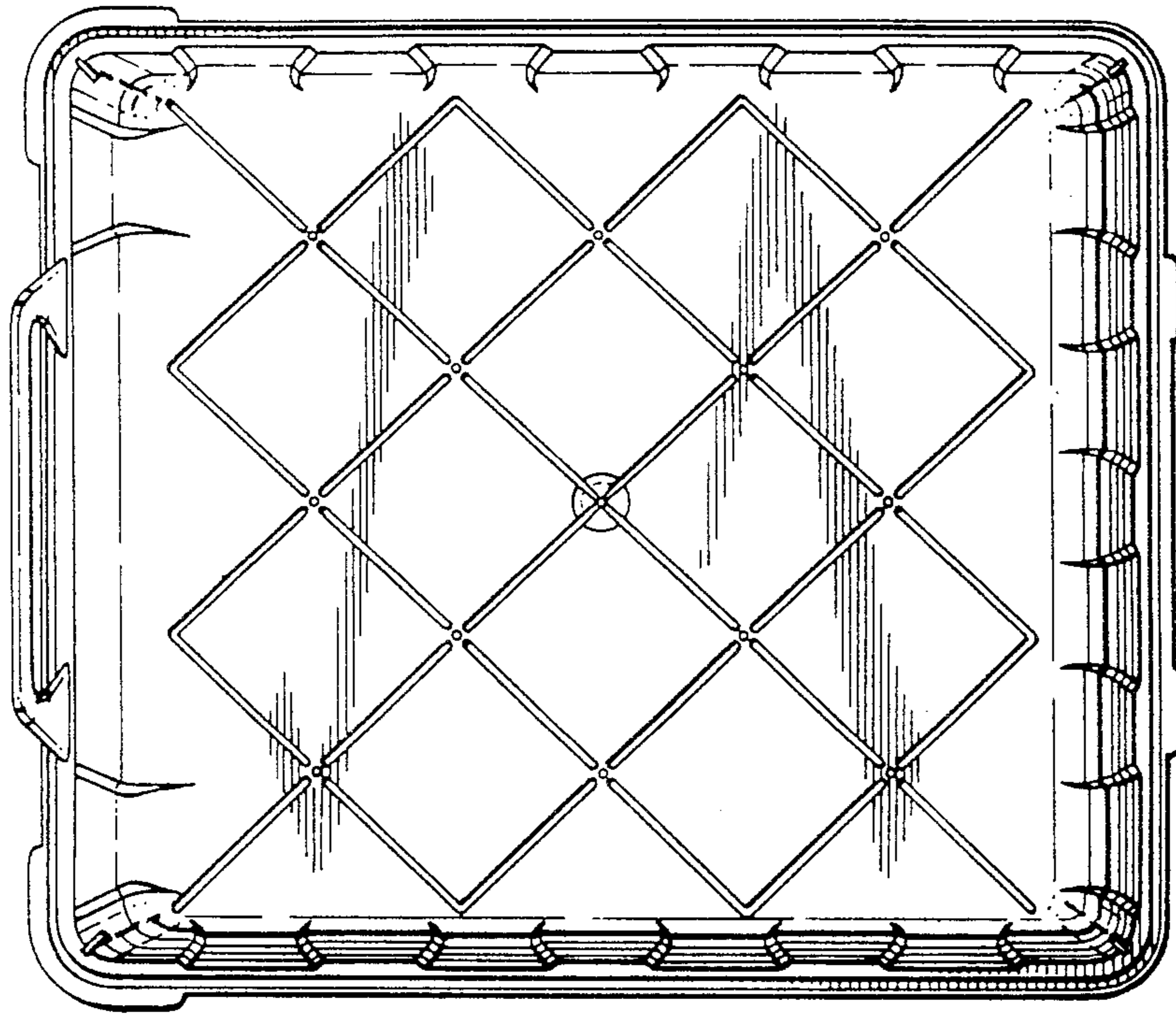


FIG. 4

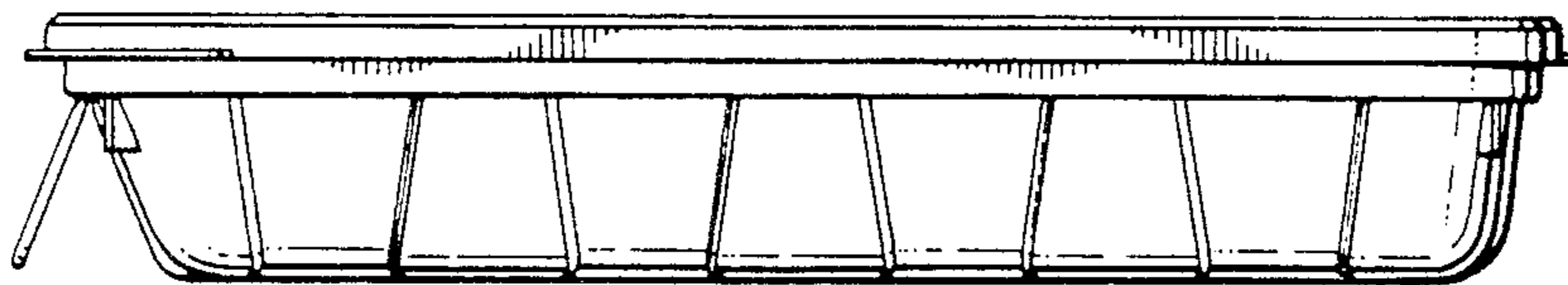


FIG. 5