

[54] CONTAINER FOR FOOD

[75] Inventor: Arthur R. Carlson, East Malvern, Australia

[73] Assignee: The Decor Corporation PTY, LTD, Scoresby, Australia

[**] Term: 14 Years

[21] Appl. No.: 513,720

[22] Filed: Jul. 14, 1983

[52] U.S. Cl. D9/425; D9/432; D9/435

[58] Field of Search 206/541, 545, 542, 543, 206/544; 62/371, 457, 372; 220/22.3, 23, 284, 412, 281, 306, 324, 400, 408, 412; D34/40; D9/424, 425, 431, 432, 435; D7/16, 37, 38, 70, 76, 77, 79

[56] References Cited

U.S. PATENT DOCUMENTS

D. 189,594	1/1961	Robinson	D9/425
D. 205,868	9/1966	Immerman et al.	D9/425
D. 209,239	11/1967	Bernstein	D9/425
D. 231,085	4/1974	Edwards	D9/425
D. 240,597	7/1976	Persson	D9/425
D. 243,914	4/1977	Marubashi et al.	D9/425 X
D. 248,621	7/1978	Hay et al.	D9/431
D. 268,622	4/1983	Wolters et al.	D34/40

1,926,240	9/1933	Maas	D7/16 X
2,457,043	12/1948	Histand	206/545 X
2,496,296	2/1950	Lobi	206/545 X
2,695,645	11/1954	Tupper	D7/16 X
2,780,385	2/1957	Tupper	D9/431 X
3,391,816	7/1968	Swett	D7/76 X
3,698,783	10/1972	Swett et al.	D7/76 X
4,024,731	5/1977	Branscum	220/23 X
4,336,883	6/1982	Klug et al.	206/545
4,499,998	2/1985	Carlson	206/541

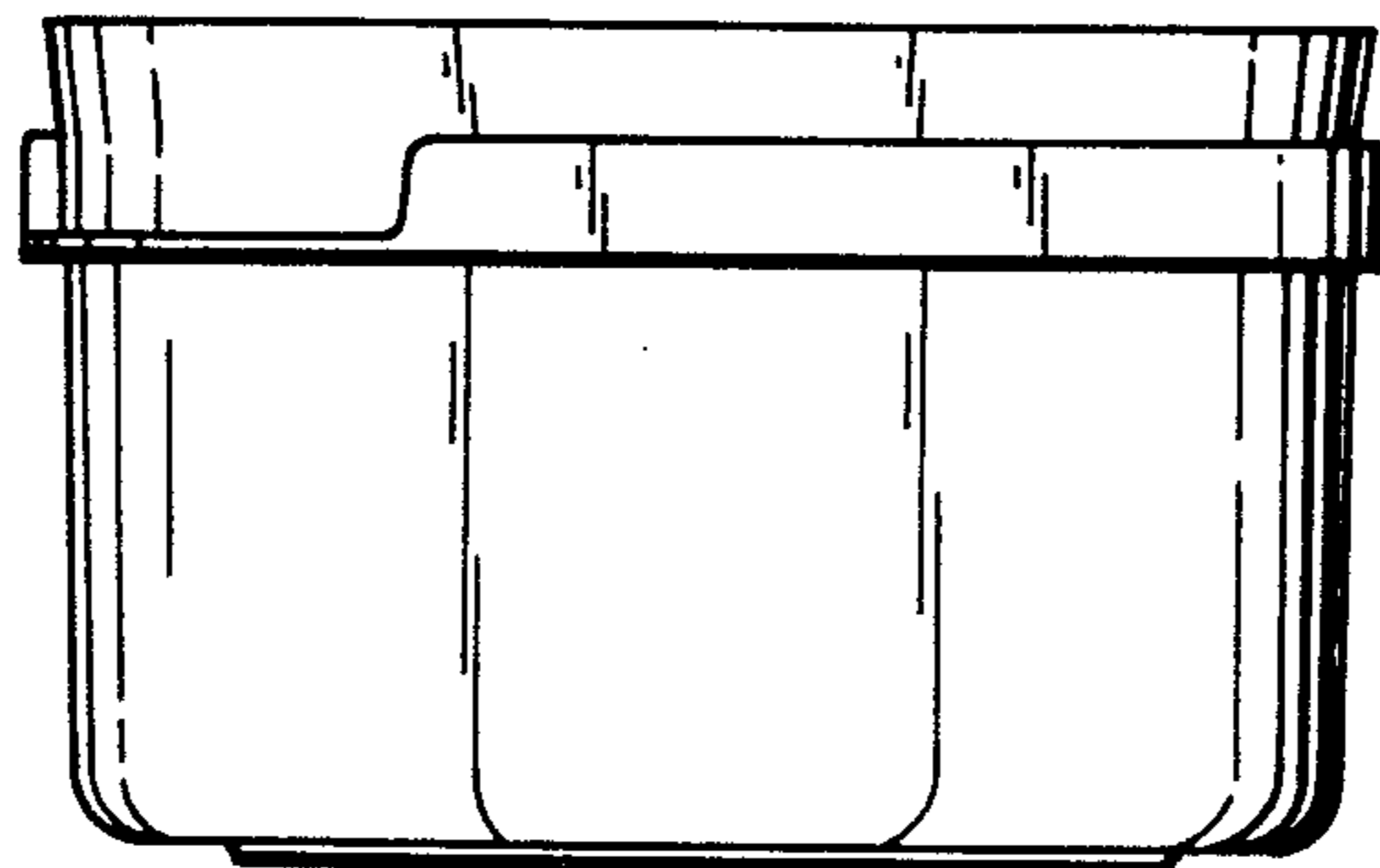
Primary Examiner—Robert C. Spangler
Attorney, Agent, or Firm—Walter H. Schneider

[57] CLAIM

The ornamental design for a container for food, as shown.

DESCRIPTION

FIG. 1 is an exploded perspective view of a container for food showing my new design;
 FIG. 2 is a perspective view with the lid in place;
 FIG. 3 is a side elevational view of the base portion;
 FIG. 4 is an end view thereof looking from the right of FIG. 3;
 FIG. 5 is a top plan view thereof;
 FIG. 6 is a bottom plan view thereof;
 FIG. 7 is a side elevational view of the lid portion;
 FIG. 8 is a top plan view thereof;
 FIG. 9 is an end elevational view thereof; and
 FIG. 10 is a bottom plan view thereof.



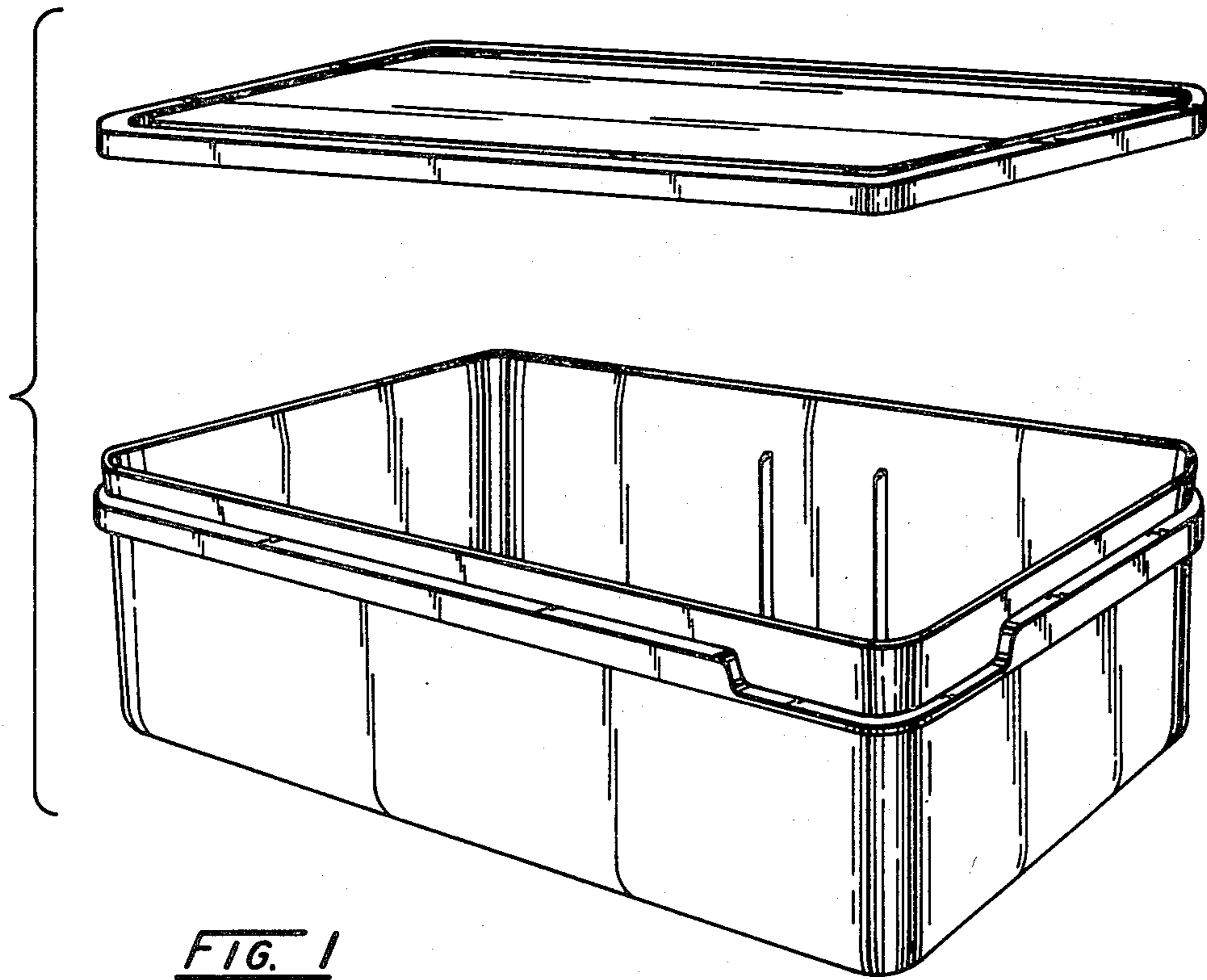


FIG. 1

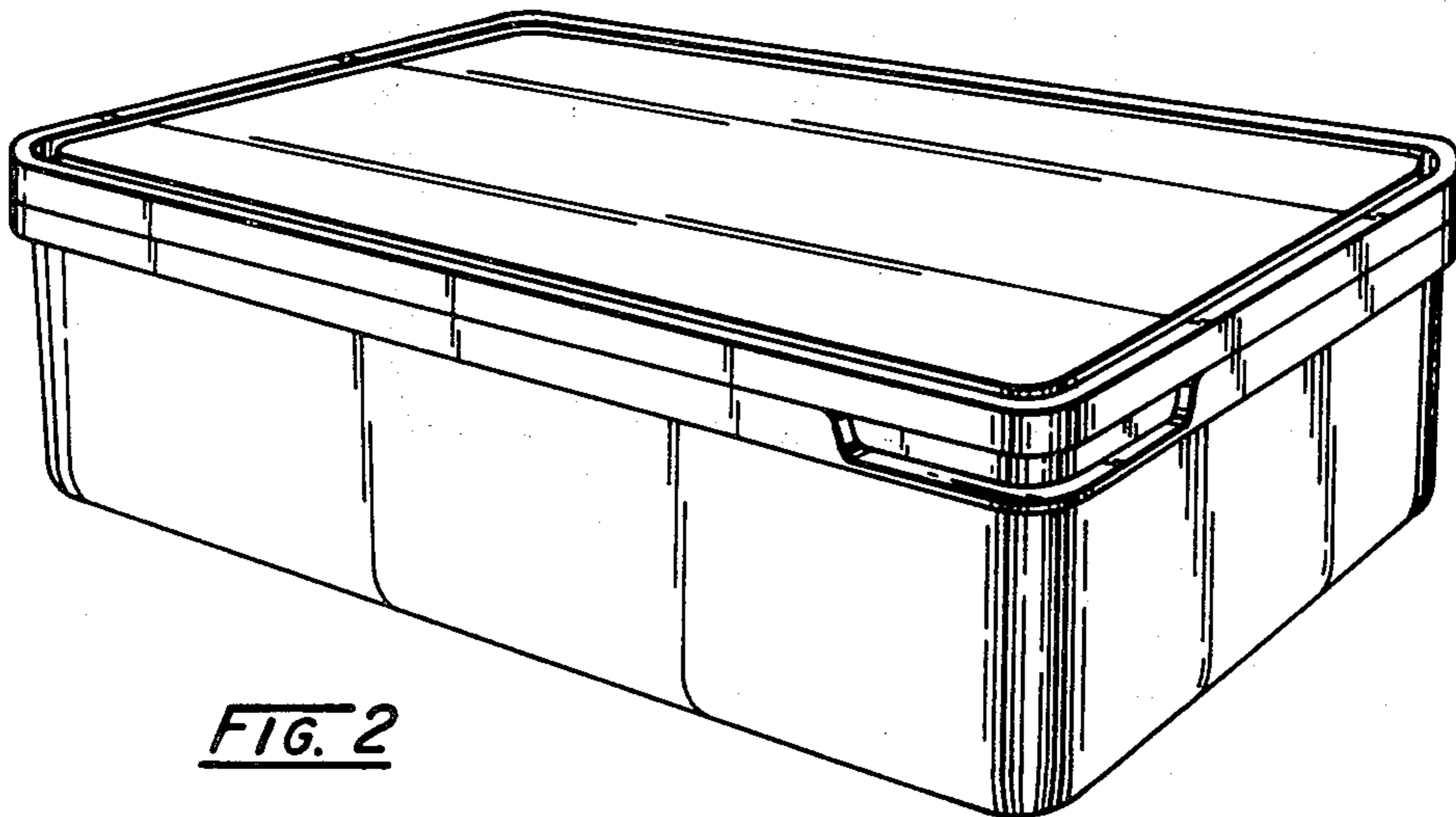


FIG. 2

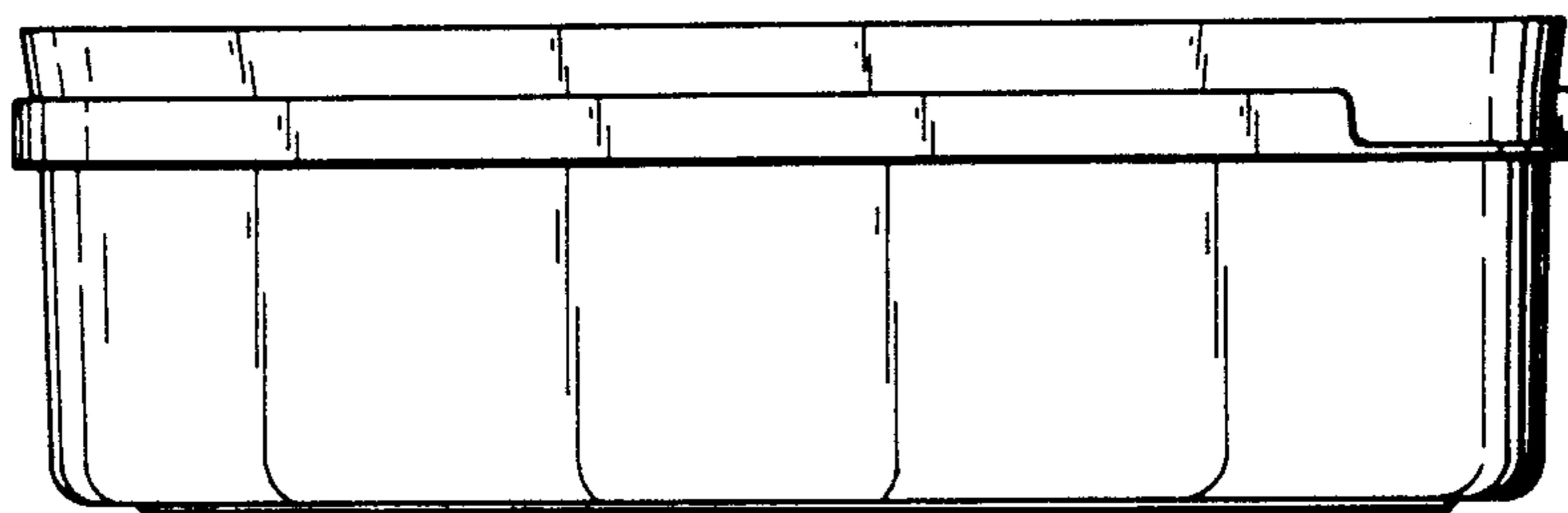


FIG. 3

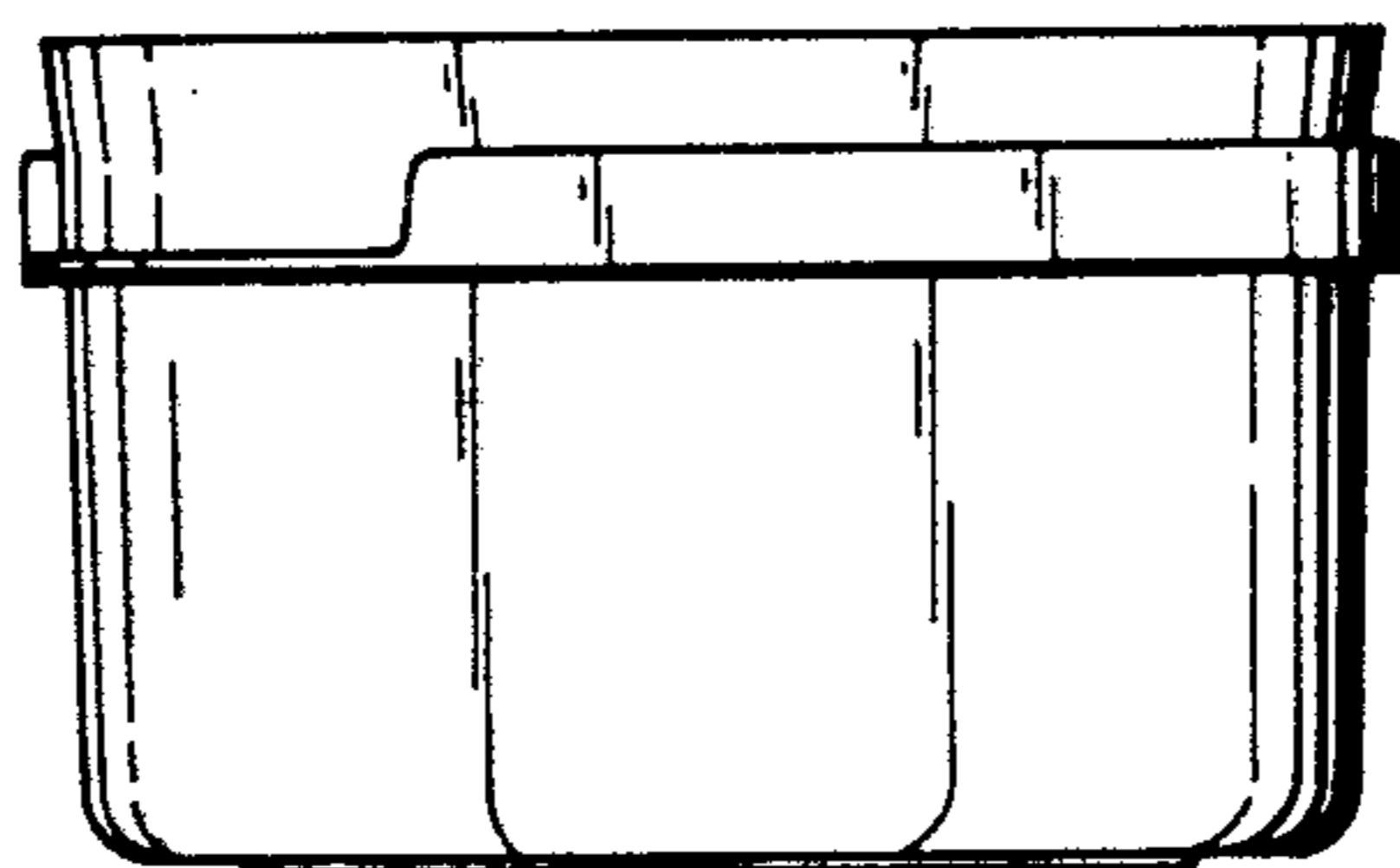


FIG. 4

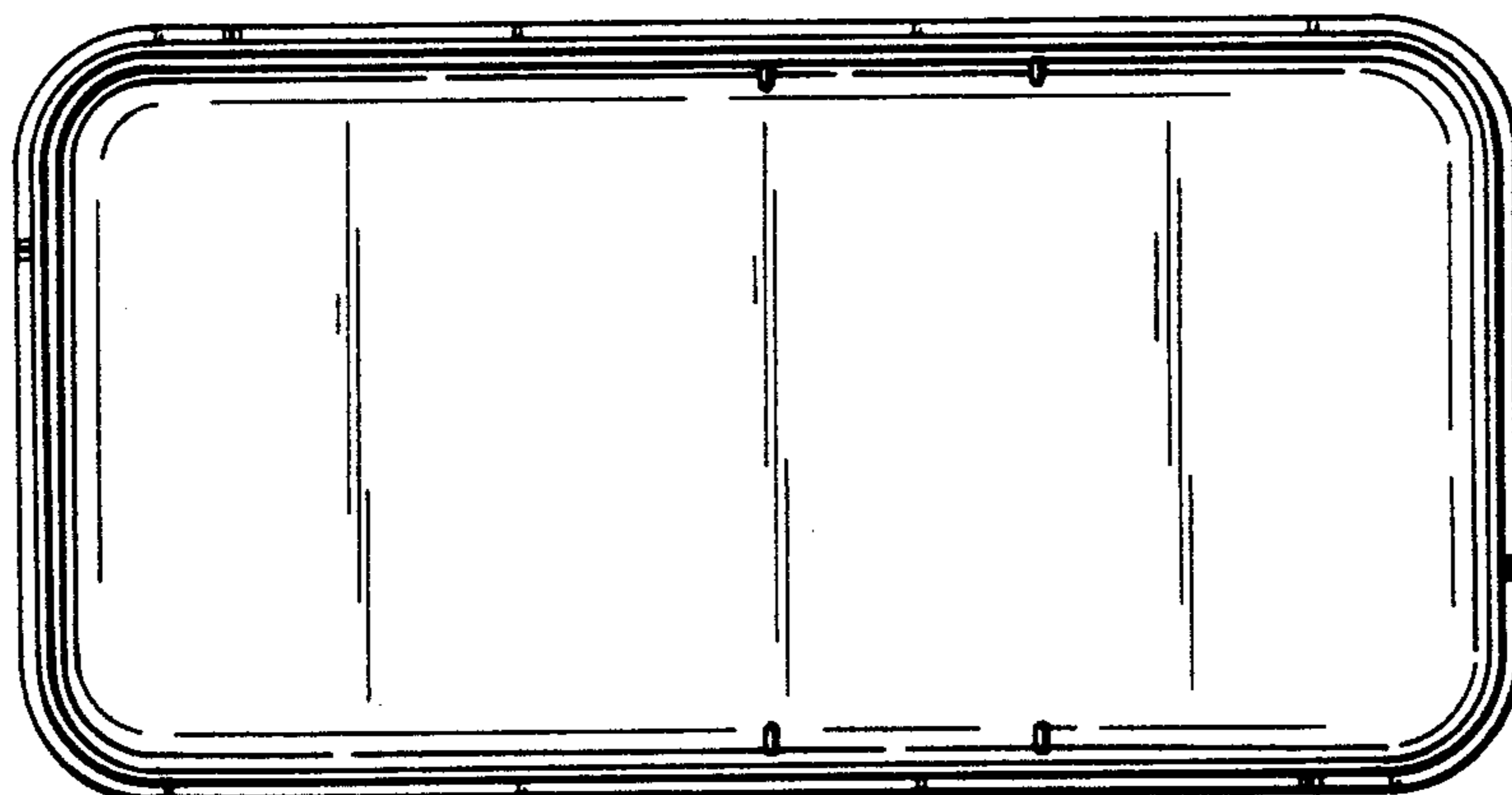


FIG. 5

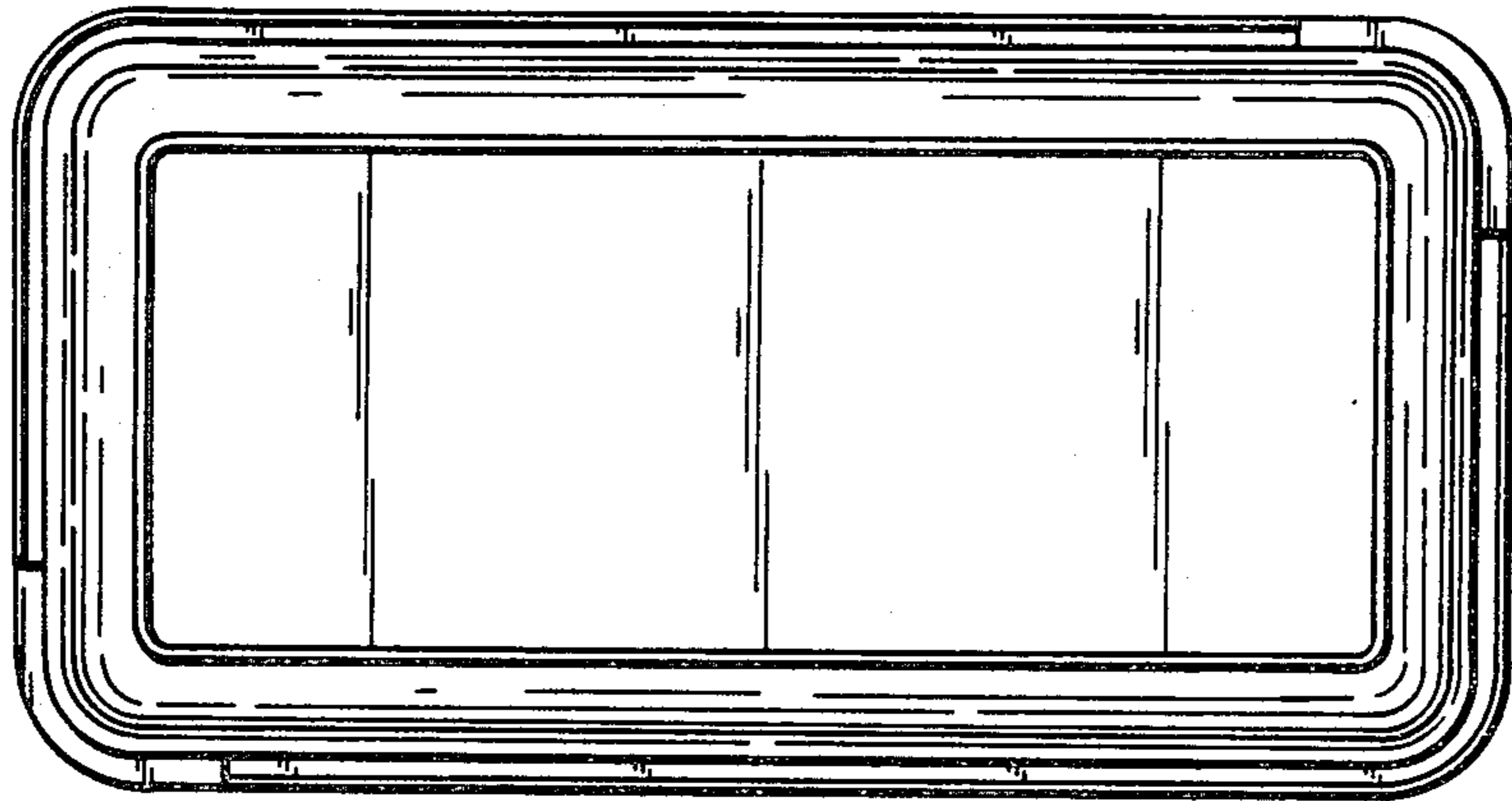


FIG. 6



FIG. 7

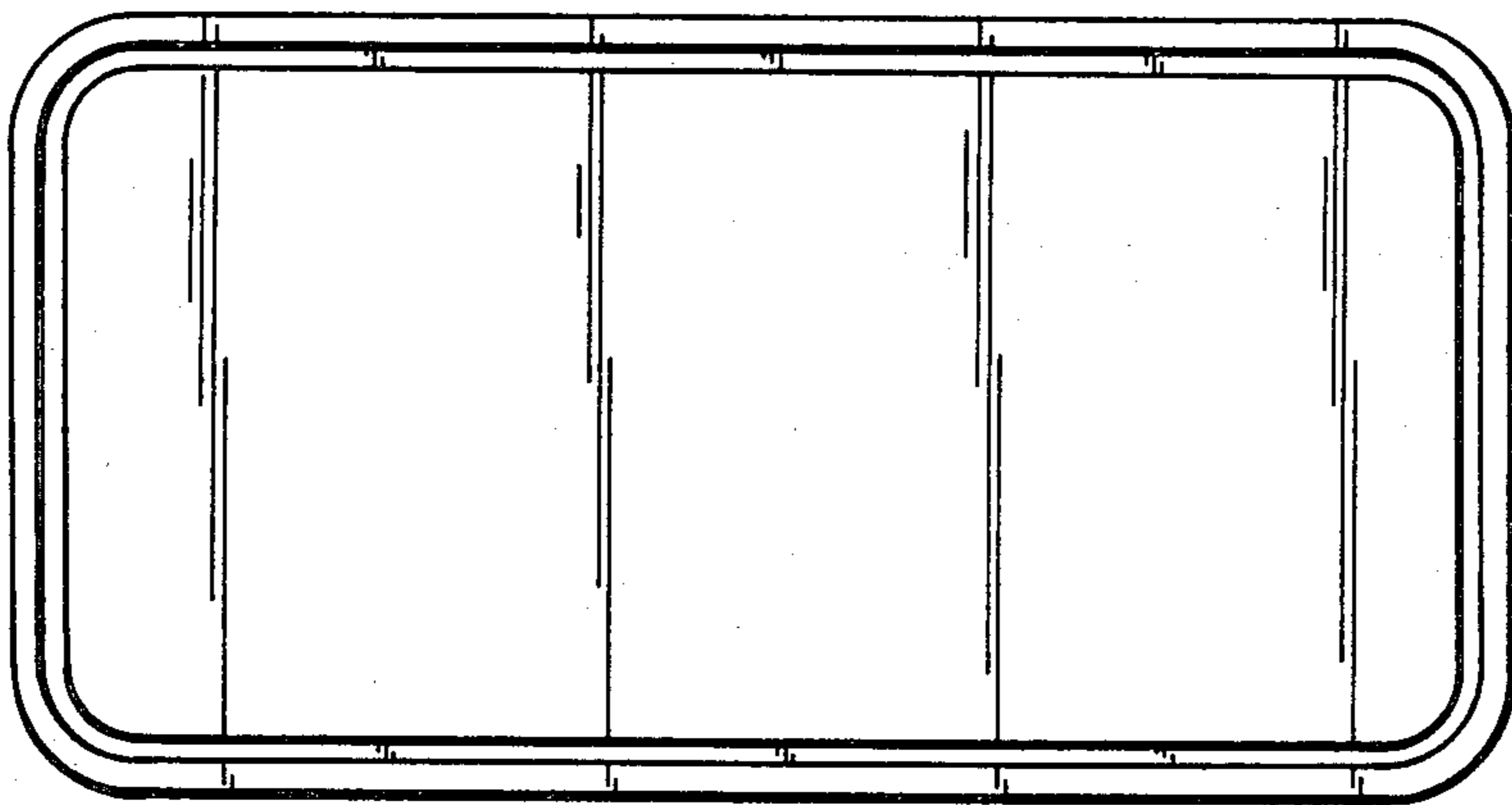


FIG. 8

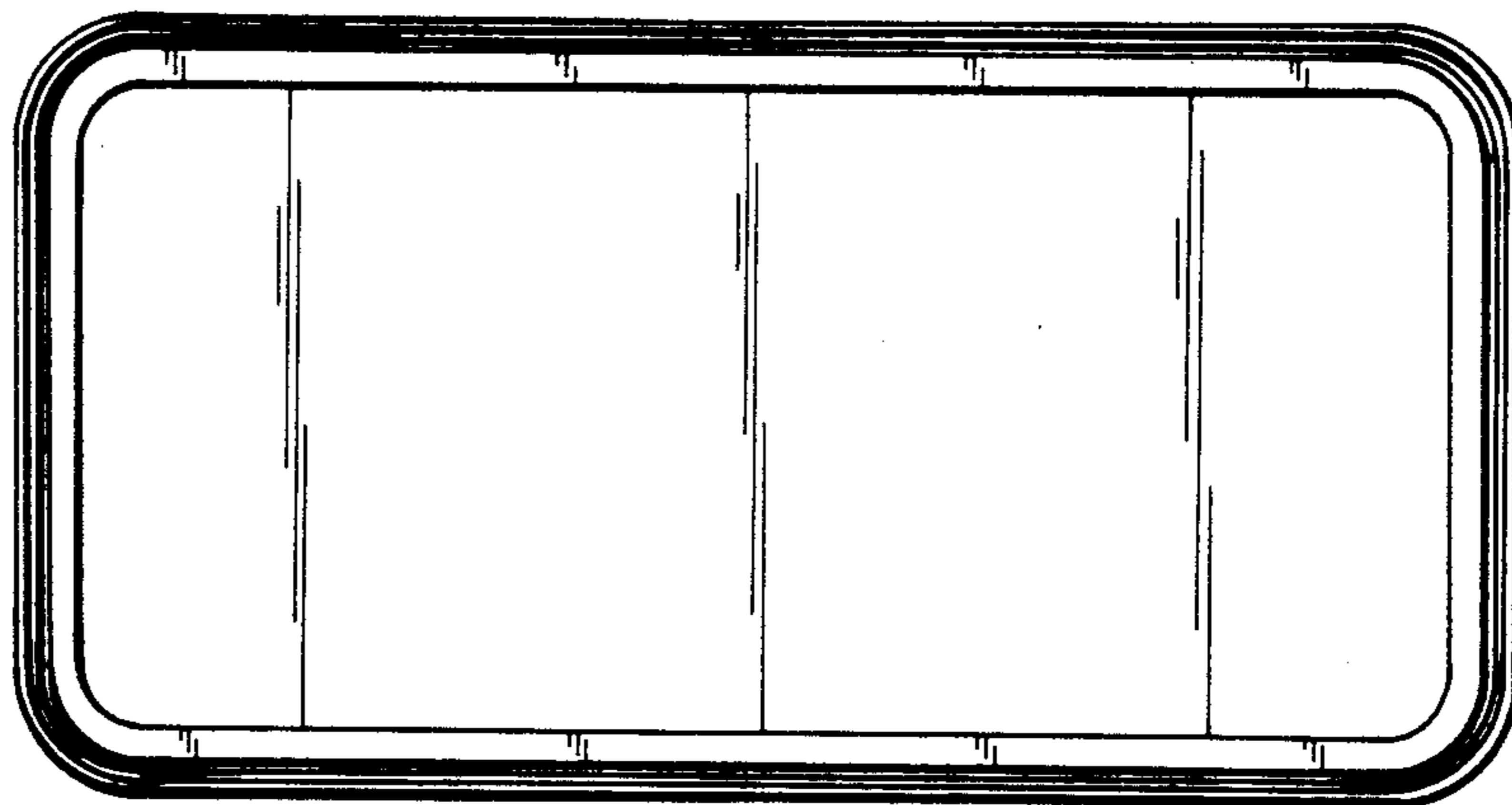


FIG. 10



FIG. 9