

[54] **PACKAGING CONTAINER FOR FOOD AND BEVERAGES**

[75] **Inventors:** George R. Sandish, Annapolis, Md.; Henry Wischusen, III, Lilburn, Ga.; George Nemeskeri, Nova Scotia, Canada

[73] **Assignees:** The Coca-Cola Company, Atlanta; Rock Tenn, Norcross, both of Ga.

[\*\*] **Term:** 14 Years

[21] **Appl. No.:** 526,575

[22] **Filed:** Aug. 25, 1983

[52] **U.S. Cl.** ..... D9/346; D9/418; D9/416

[58] **Field of Search** ..... D9/416, 432, 467, 418, D9/341, 346, 345; 206/611, 562, 620, 628, 612, 561; 229/30, 41 B, 28 R

[56] **References Cited**

**U.S. PATENT DOCUMENTS**

- D. 134,249 11/1942 Button ..... D9/346
- D. 233,135 10/1974 Combs, Jr. et al. .... D9/346
- D. 262,191 12/1981 Quillen ..... D9/418 X
- D. 262,440 12/1981 Skalleberg ..... D9/418
- D. 269,068 5/1983 Mann, Sr. .... D9/418 X
- D. 281,146 10/1985 Holewinski ..... D9/346 X
- 2,238,545 4/1941 Whiley .
- 2,403,840 7/1946 Ashurst .
- 2,604,980 7/1952 Reid .
- 2,711,819 6/1955 Vander Lugt, Jr. .
- 2,732,983 1/1956 Siddall .
- 2,875,940 3/1959 Dunn .
- 3,005,584 10/1961 Coe .
- 3,074,615 1/1963 Johnson .
- 3,195,719 7/1965 Giesler .
- 3,215,332 11/1965 Bess .
- 3,288,344 11/1966 Woollen .
- 3,322,329 5/1967 Castaneda et al. .
- 3,323,706 6/1967 Gereke .
- 3,326,445 6/1967 Goings .
- 3,349,985 10/1967 Salway .
- 3,365,114 1/1968 Macchi .
- 3,376,974 4/1968 Hilliard .

- 3,411,696 11/1968 Ayer et al. .
- 3,580,483 5/1971 Young .
- 3,604,560 9/1971 Farquhar .
- 3,618,848 11/1971 Pawlowski et al. .
- 3,722,781 3/1973 Page et al. .
- 3,829,006 8/1974 Spiegel .
- 3,907,195 9/1975 Struble .
- 3,954,220 5/1976 Foster .
- 3,977,518 8/1976 Arneson .
- 4,069,917 1/1978 Stollberg et al. .
- 4,130,237 12/1978 Struble .
- 4,180,165 12/1979 Kuchenbecker .
- 4,221,320 9/1980 Faller .
- 4,360,107 11/1982 Roccaforte .

**FOREIGN PATENT DOCUMENTS**

- 272792 4/1963 Australia .
- 268988 5/1968 Austria .
- 687951 6/1964 Canada .

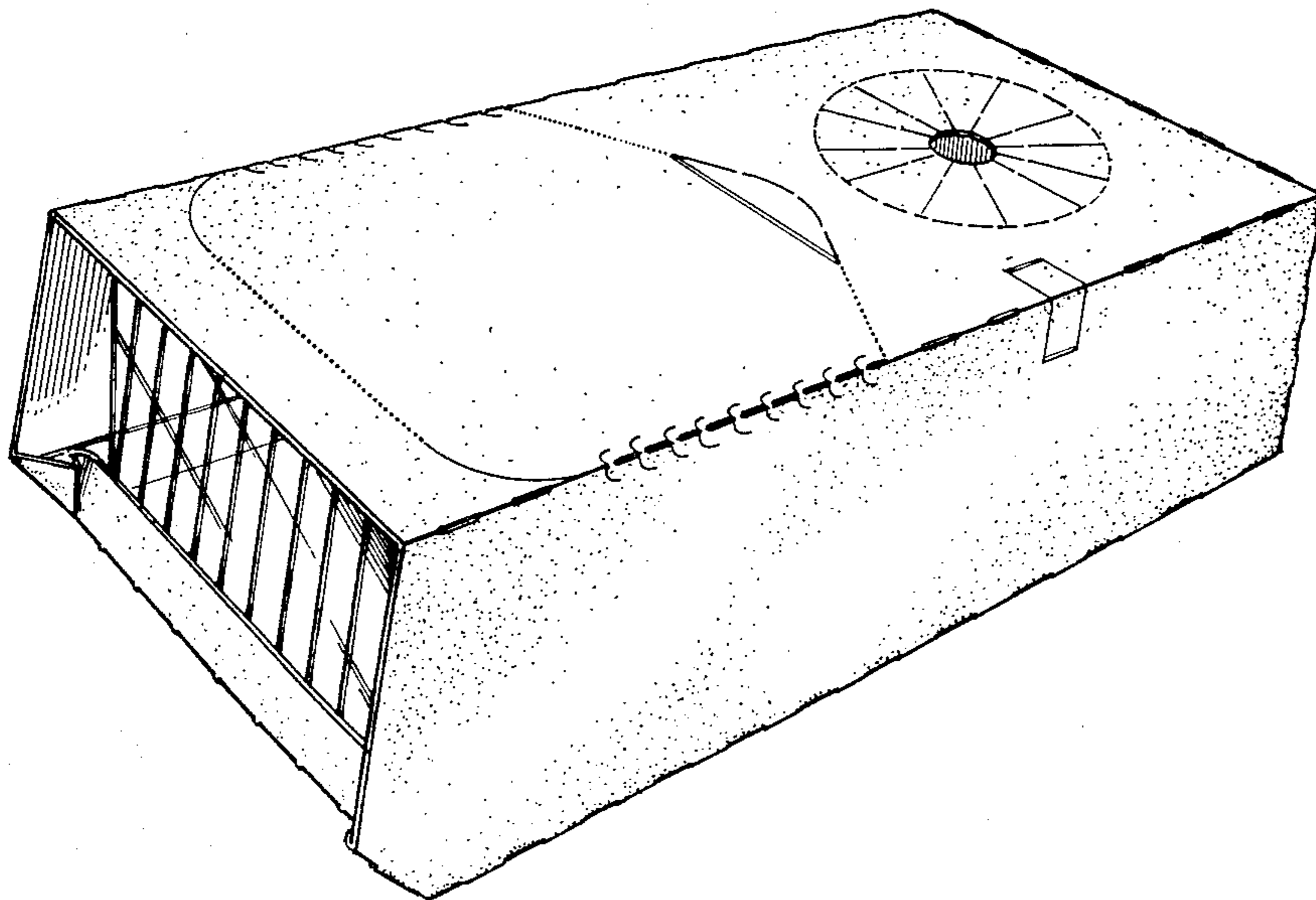
*Primary Examiner*—Robert C. Spangler

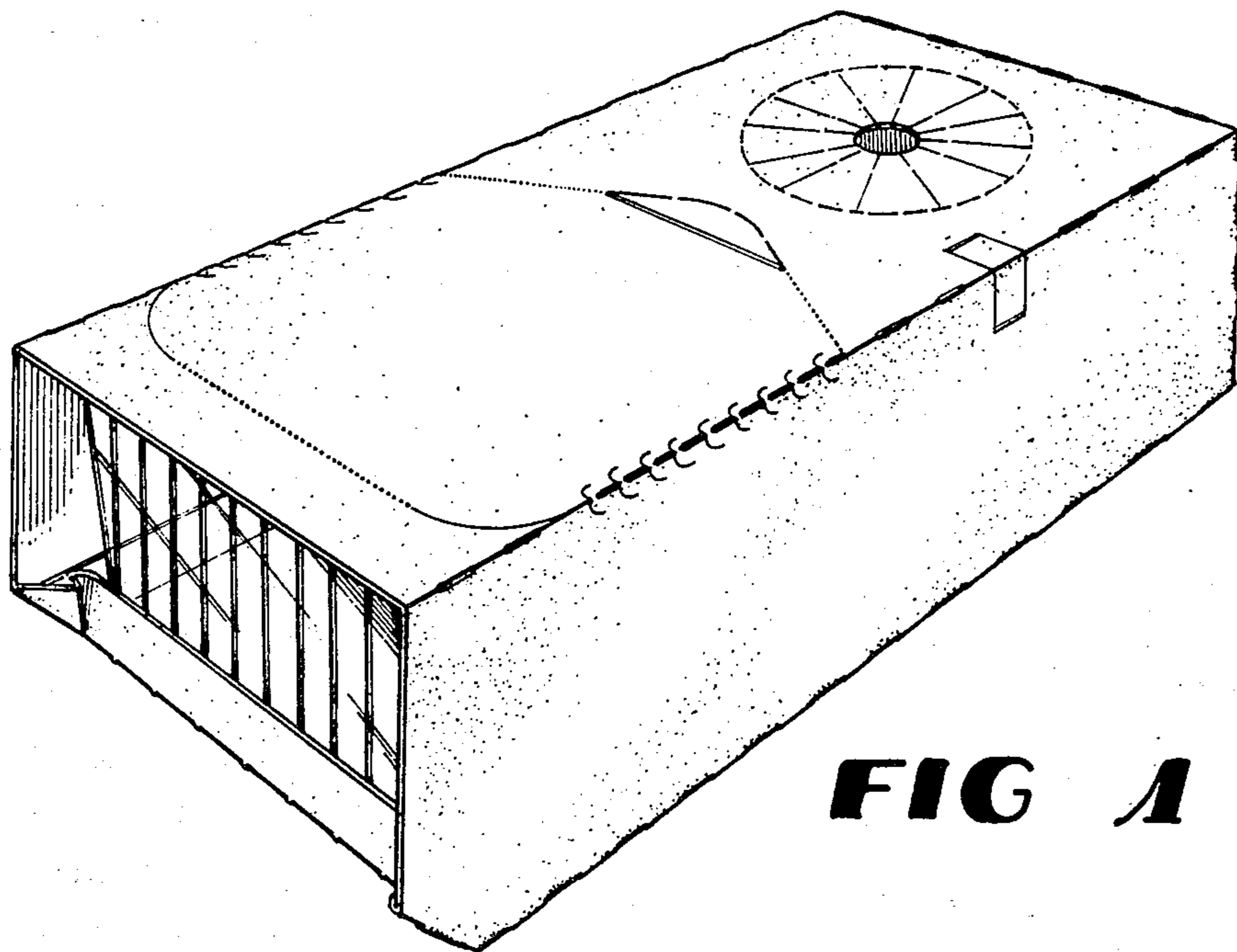
[57] **CLAIM**

The ornamental design for a packaging container for food and beverages, as shown and described.

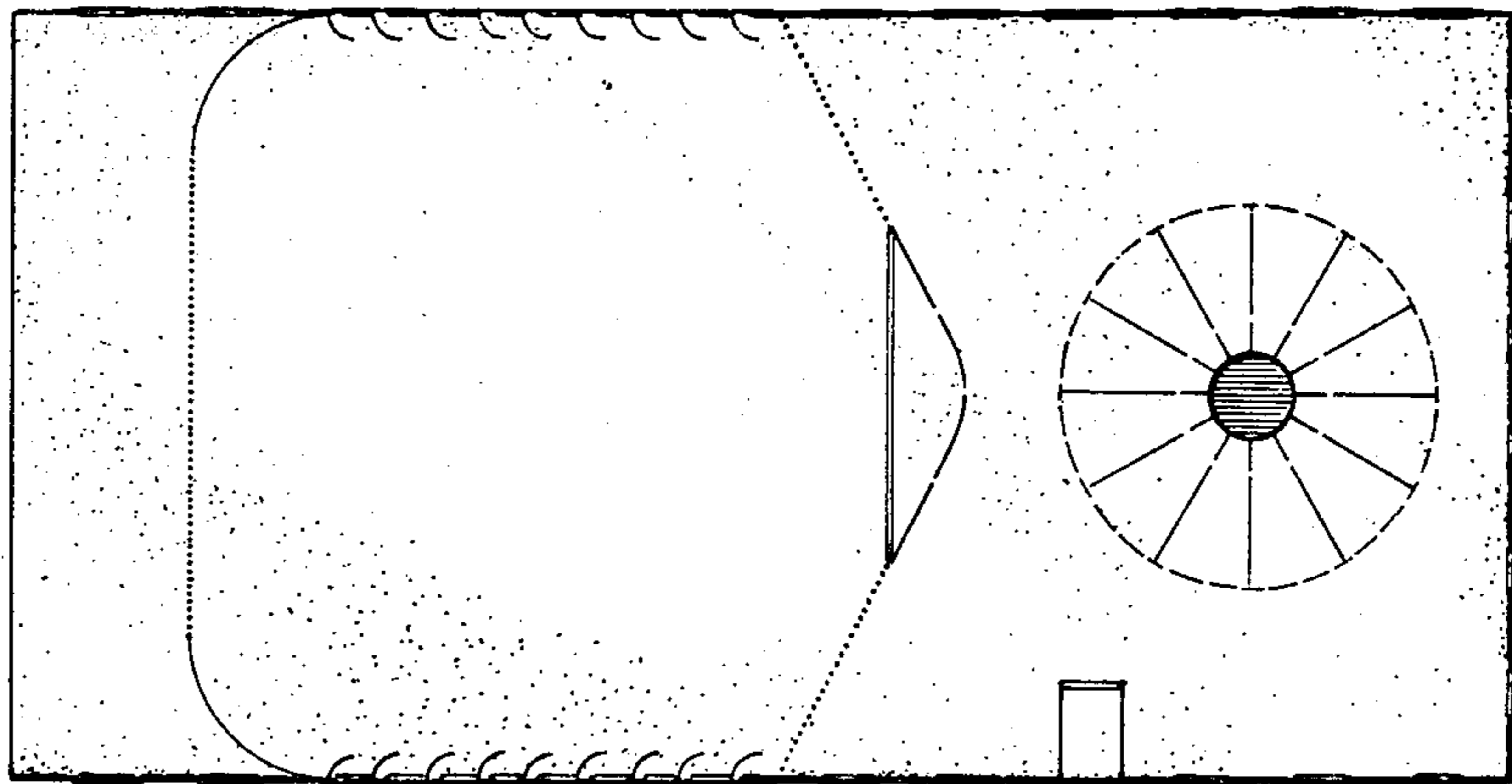
**DESCRIPTION**

FIG. 1 is a perspective view of a packaging container for food and beverages showing our new design; FIG. 2 is a top plan view thereof; FIG. 3 is a front elevational view thereof; FIG. 4 is a bottom plan view thereof; FIG. 5 is a rear elevational view thereof; FIG. 6 is a view looking from the left of FIG. 3; FIG. 7 is a view looking from the right of FIG. 3; FIG. 8 is a perspective view with the tear away panel removed, the top stop means folded in and a beverage cup being shown in broken lines to illustrate environmental use only; FIG. 9 is a top plan view thereof; FIG. 10 is a front elevational view thereof; FIG. 11 is a rear elevational view thereof; FIG. 12 is a view looking from the left of FIG. 10; and FIG. 13 is a view looking from the right of FIG. 10. The dash lines and dotted lines on the container represent score lines.

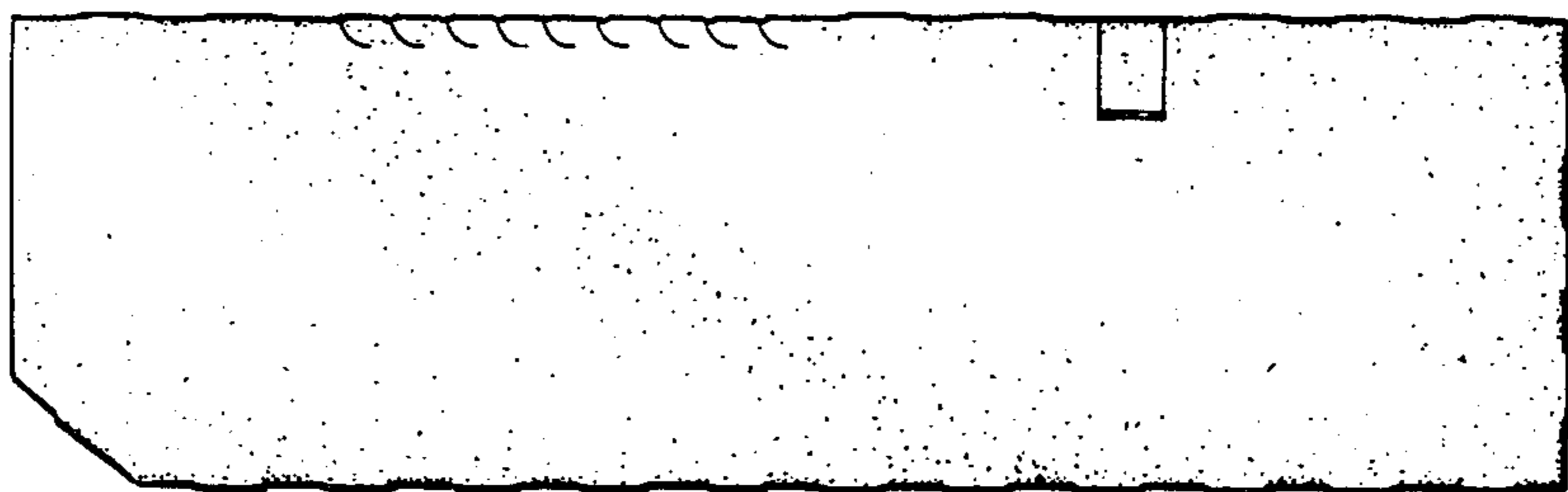




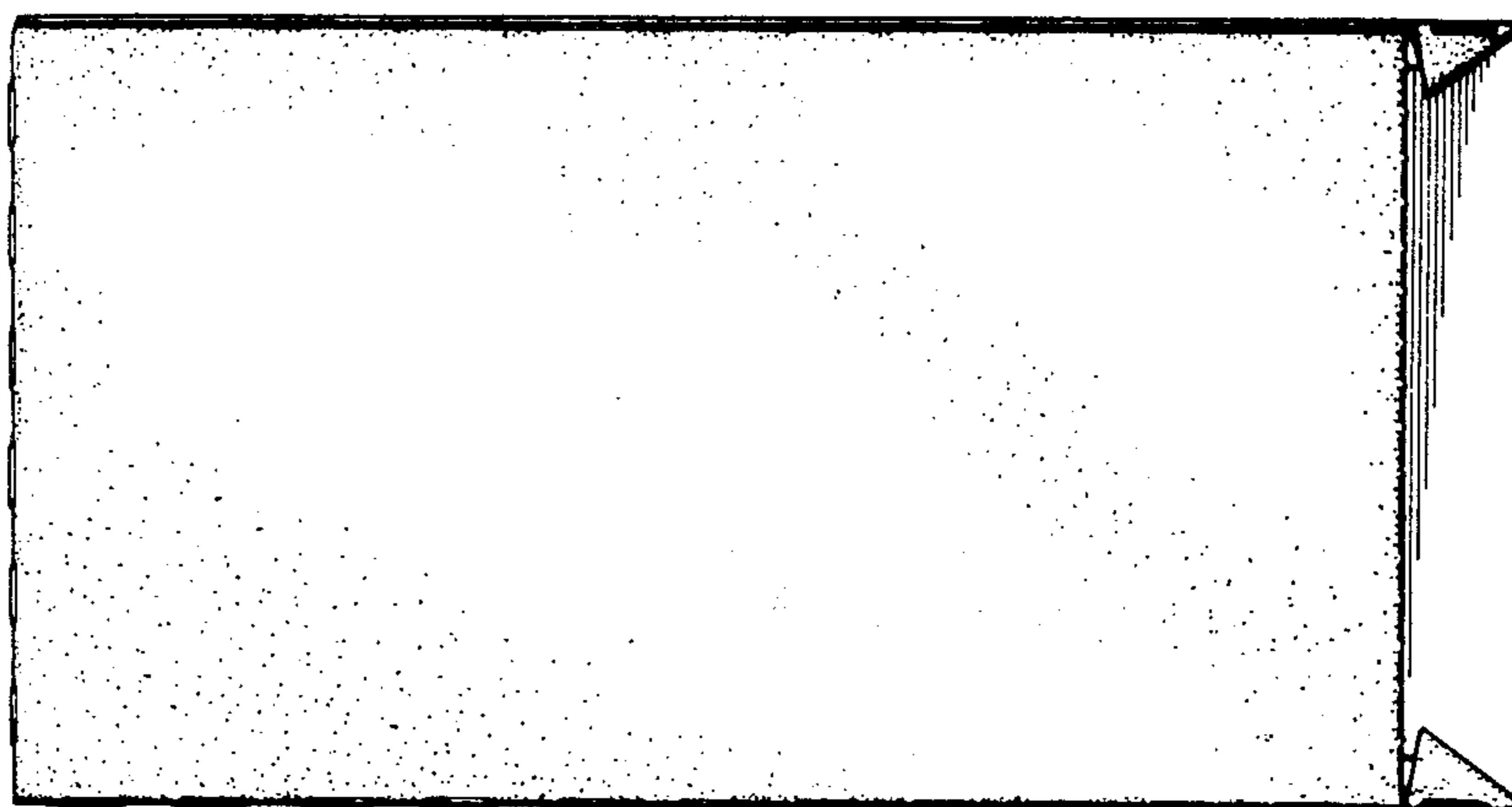
**FIG 1**



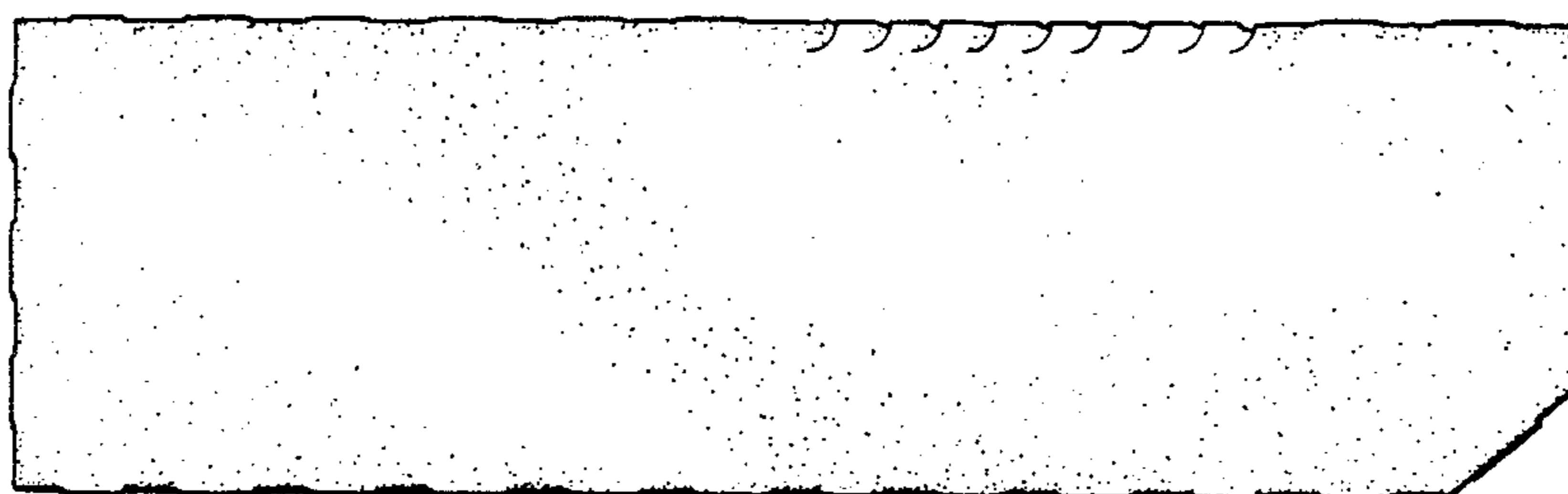
**FIG 2**



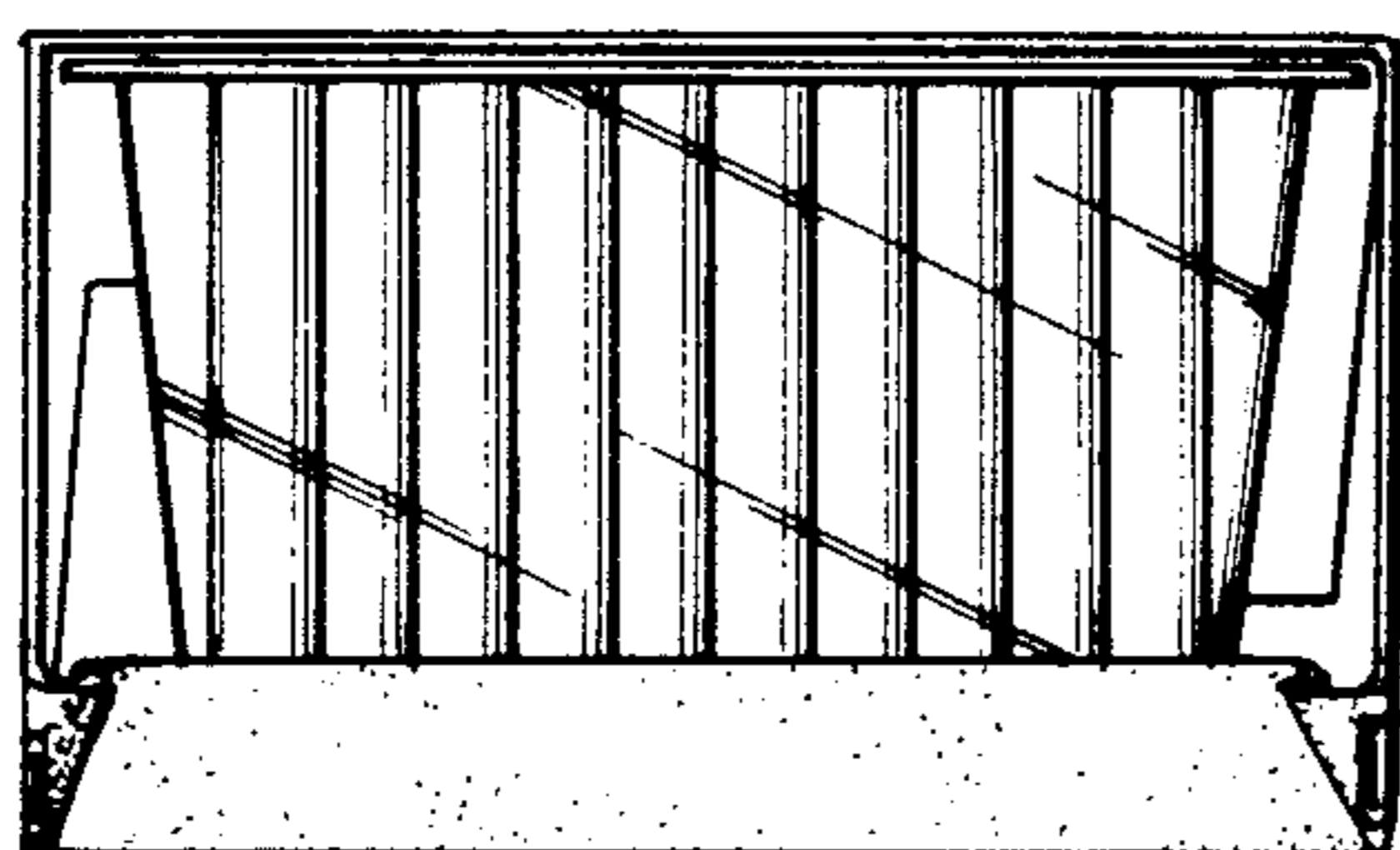
**FIG 3**



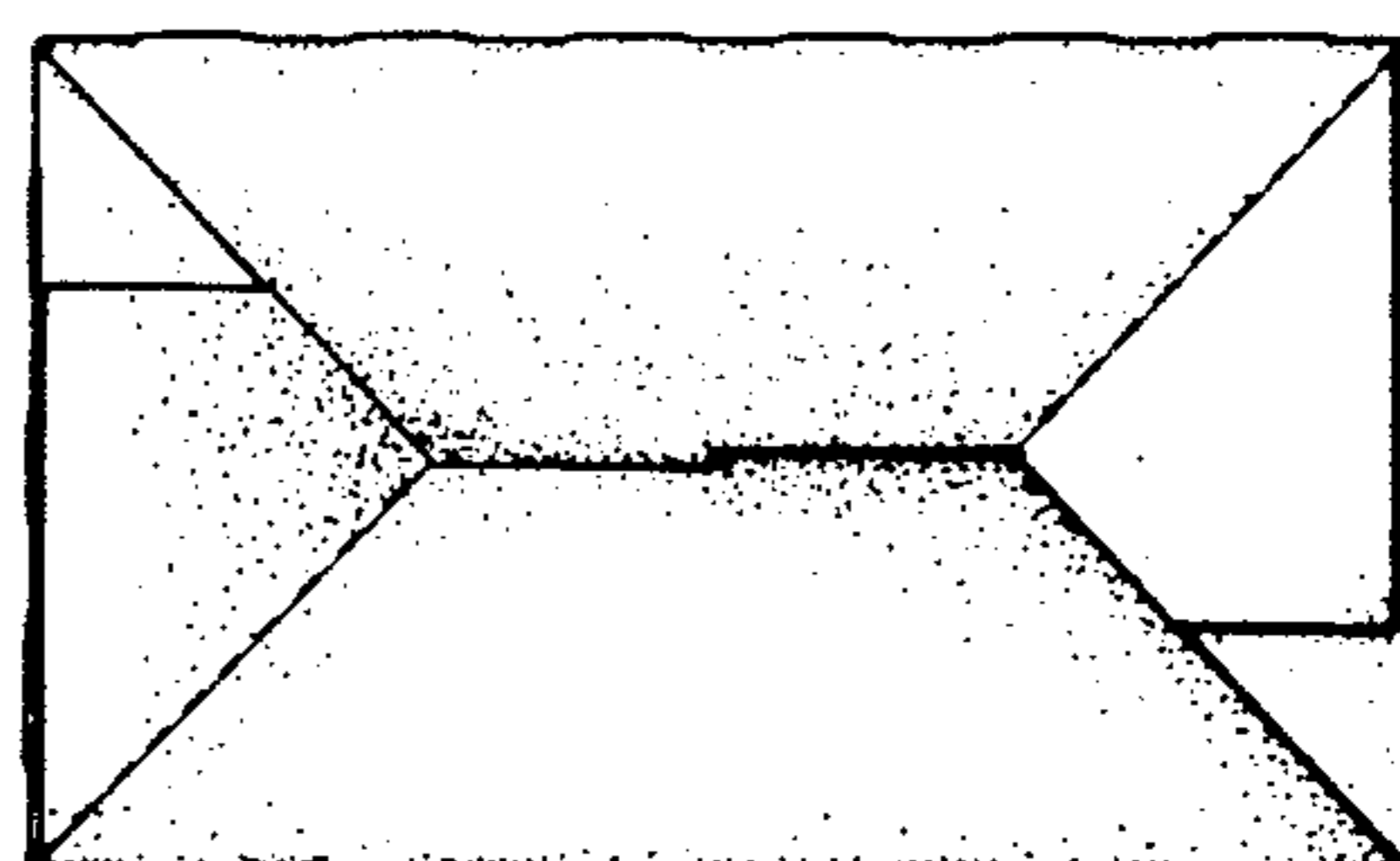
**FIG 4**



**FIG 5**

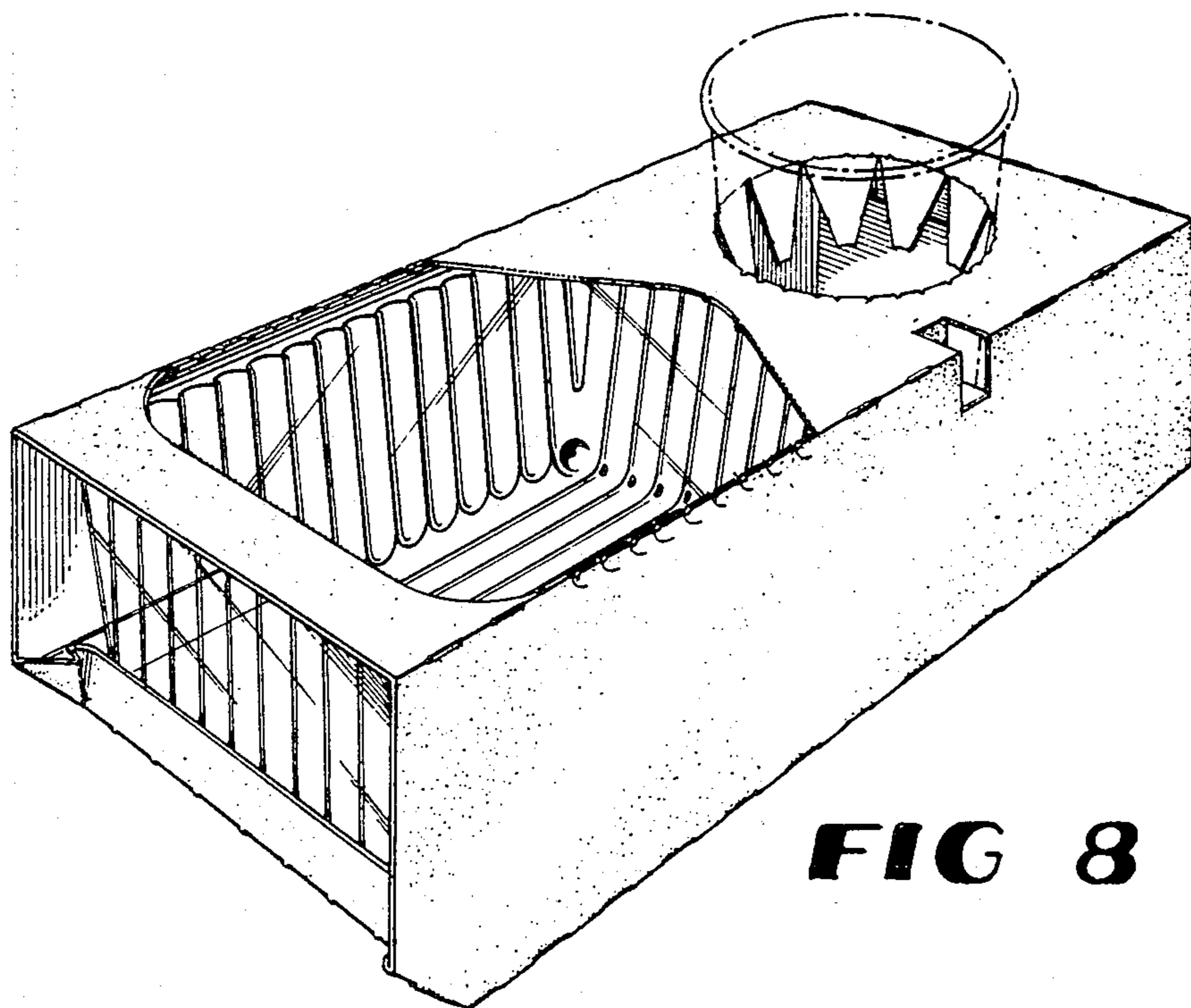


**FIG 6**

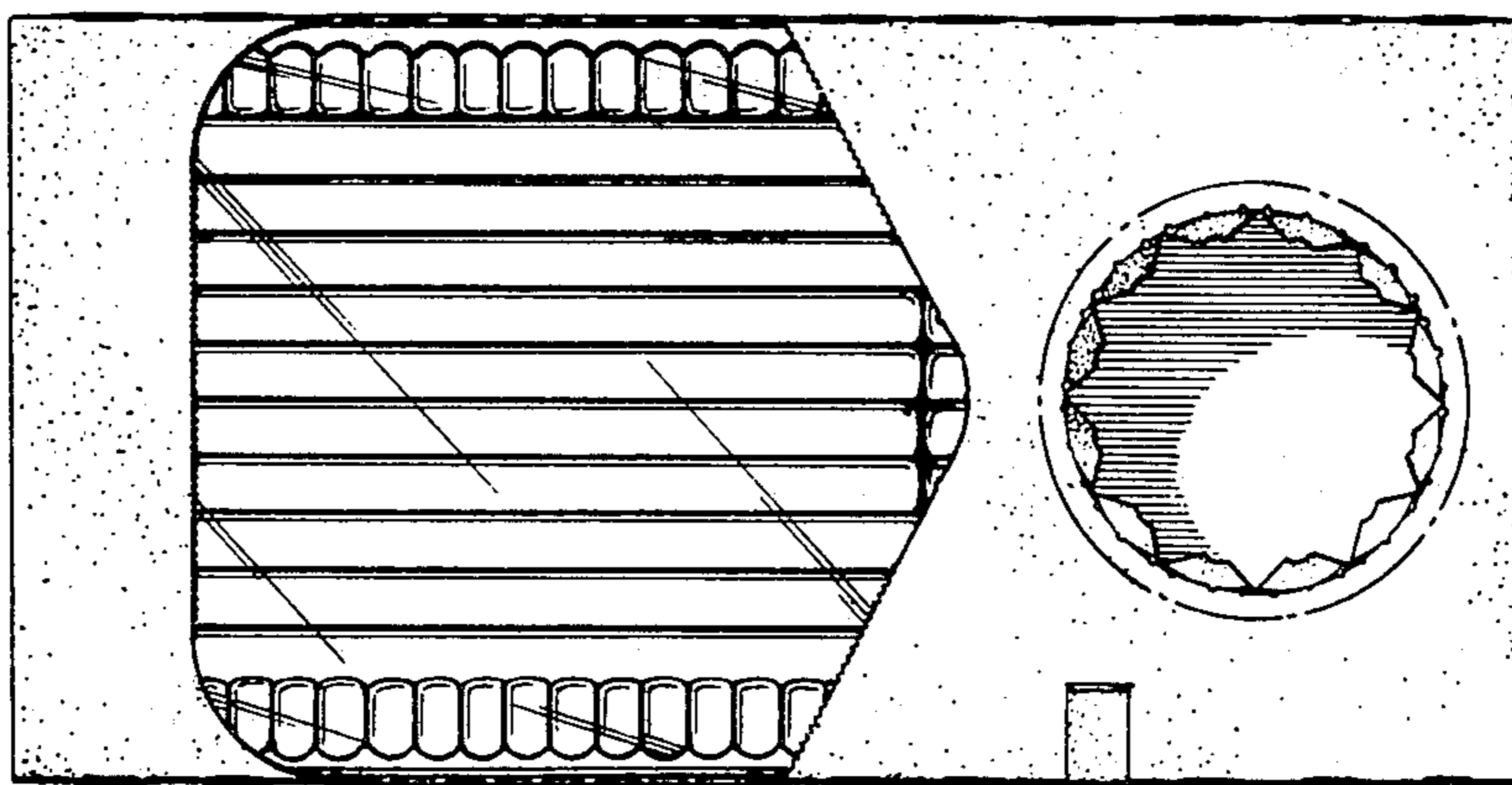


**FIG 7**

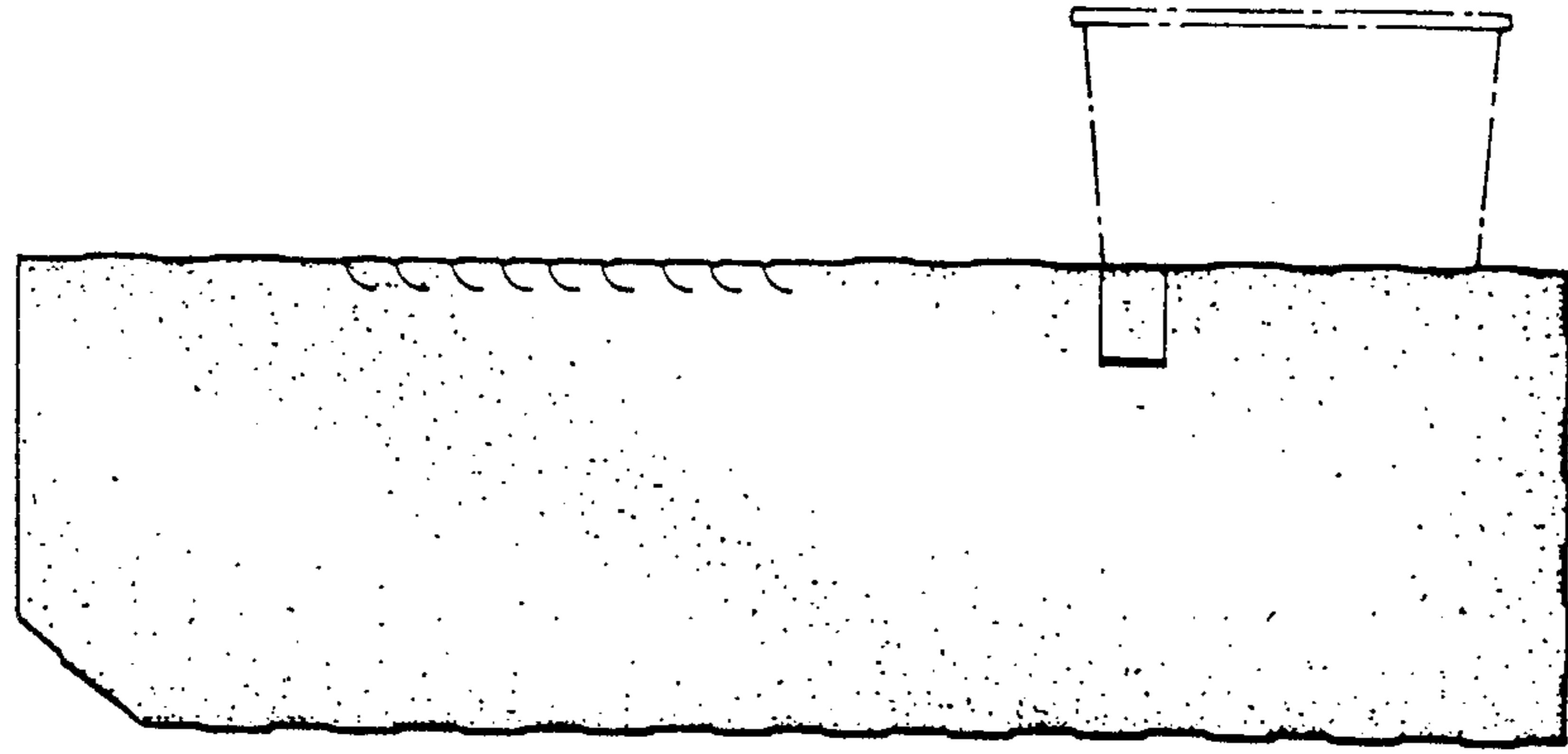




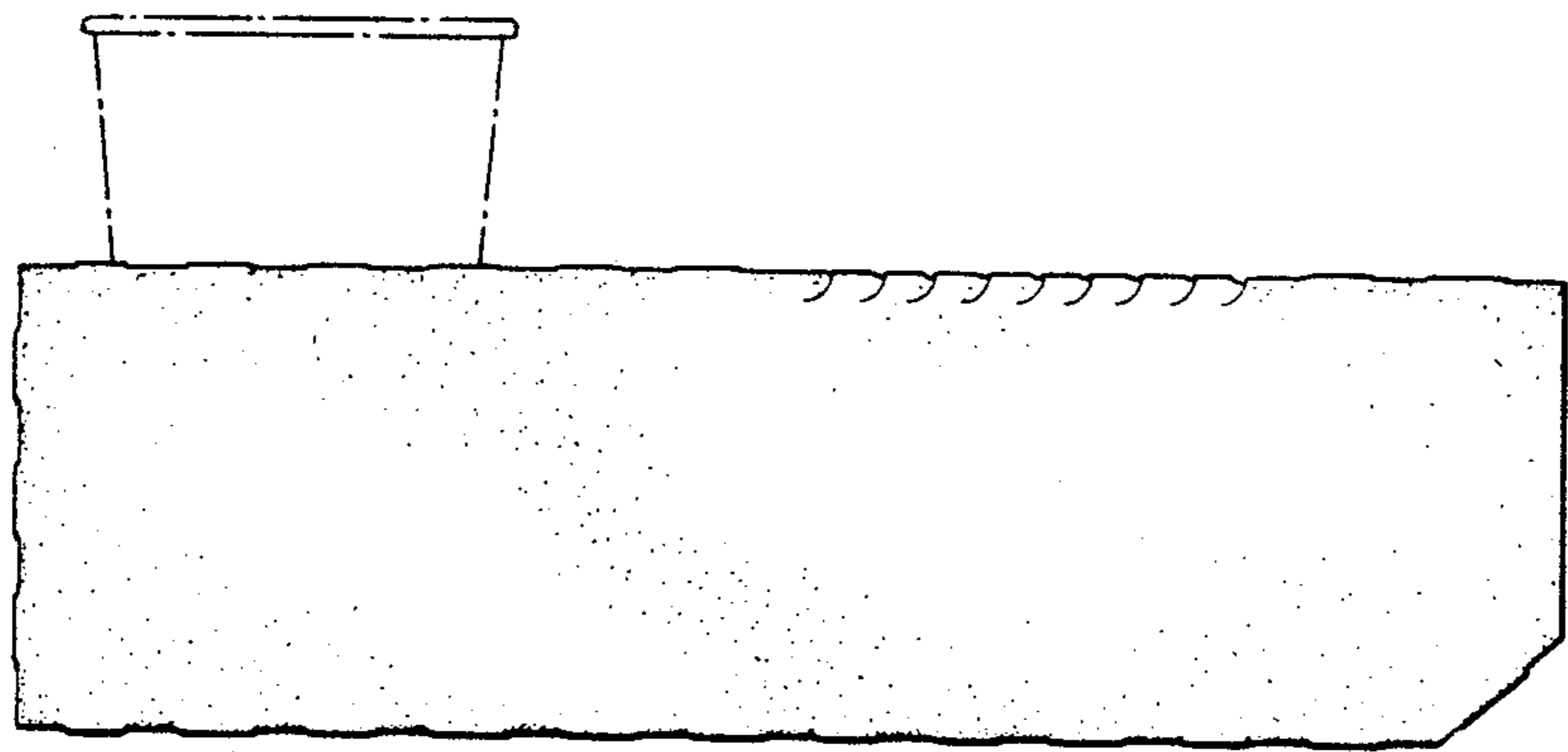
**FIG 8**



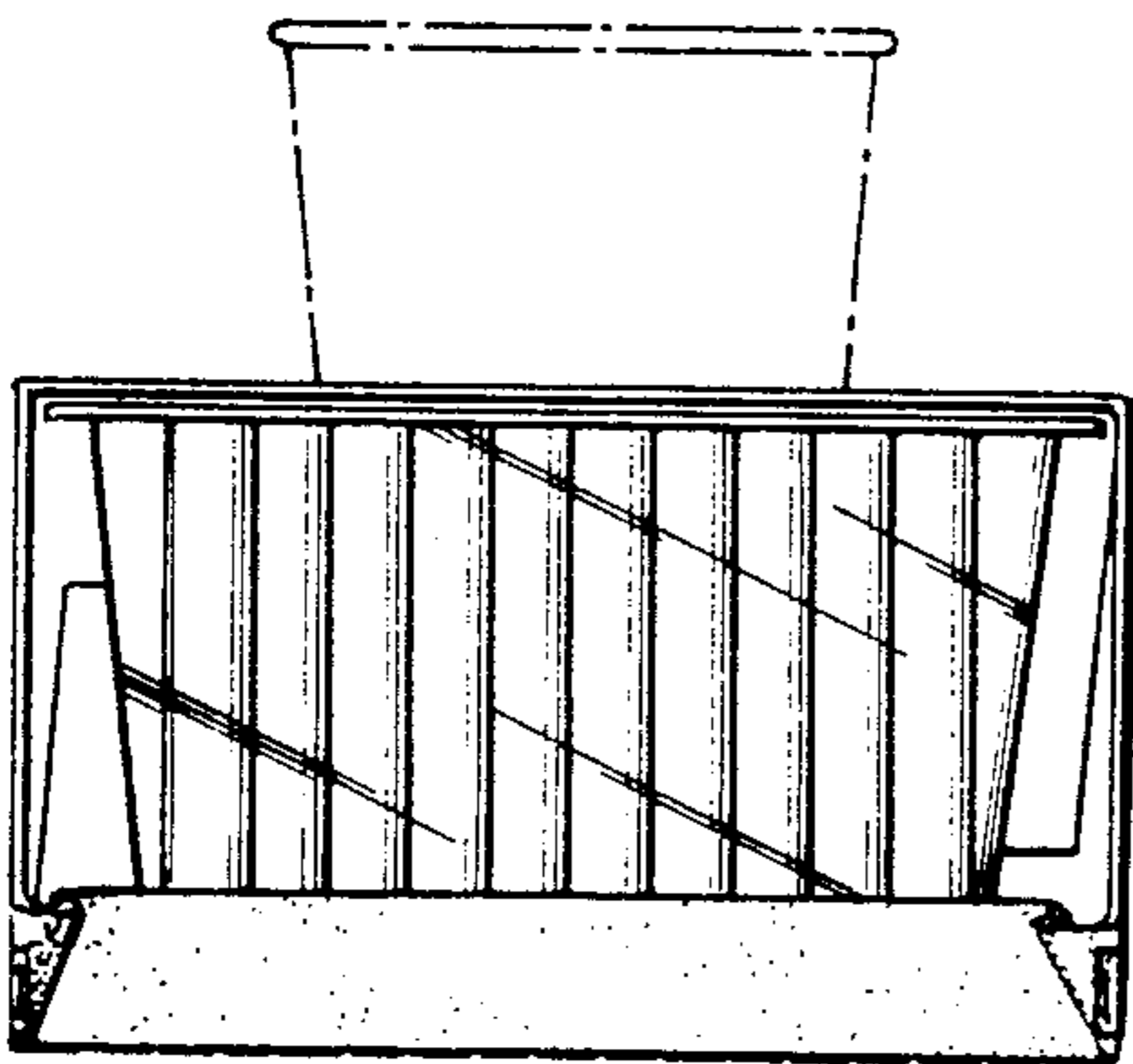
**FIG 9**



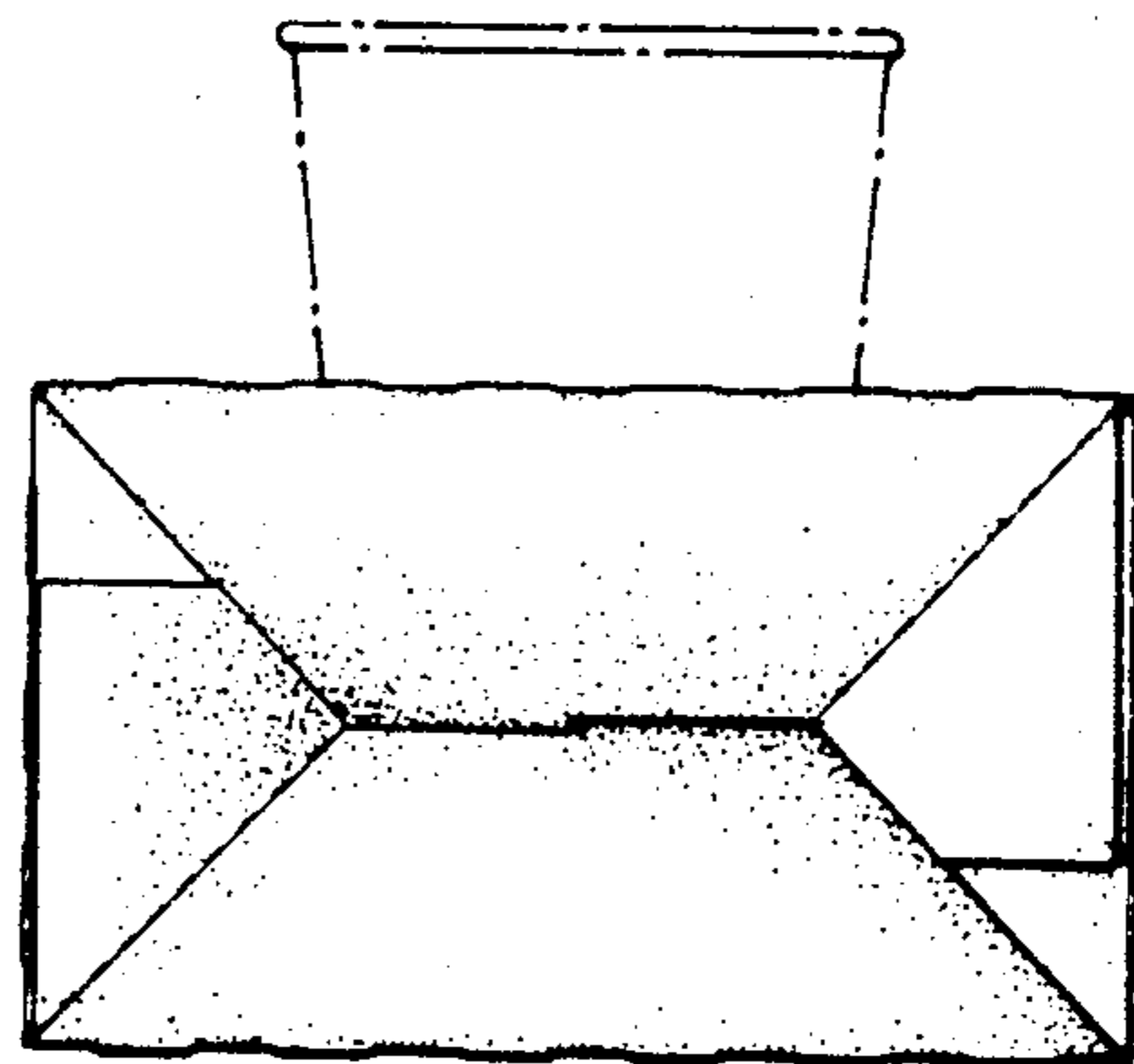
**FIG 10**



**FIG 11**



**FIG 12**



**FIG 13**