

[54] BRACKET FOR ELECTRONIC EQUIPMENT

[75] Inventor: R. Alan Beverly, San Luis Obispo, Calif.

[73] Assignee: Ziatech Corporation, San Luis Obispo, Calif.

[**] Term: 14 Years

[21] Appl. No.: 561,877

[22] Filed: Dec. 15, 1983

[52] U.S. Cl. D8/373; D8/354

[58] Field of Search D8/349, 354, 373, 380, D8/396; 269/903; 248/27.1, 300, 637, 674, 201

[56] References Cited

U.S. PATENT DOCUMENTS

| | | | |
|------------|---------|----------------------|----------|
| D. 130,744 | 12/1941 | Krasemann, Sr. | D8/380 |
| D. 275,553 | 9/1984 | Emmie | D8/396 |
| 1,230,035 | 6/1917 | Royston | 248/380 |
| 1,870,731 | 8/1932 | Isaacson | 248/201 |
| 3,544,049 | 12/1970 | Brown et al. | 248/300 |
| 3,903,458 | 9/1975 | Arnoux | 248/27.1 |
| 4,465,256 | 8/1984 | Wolbrink et al. | 248/674 |

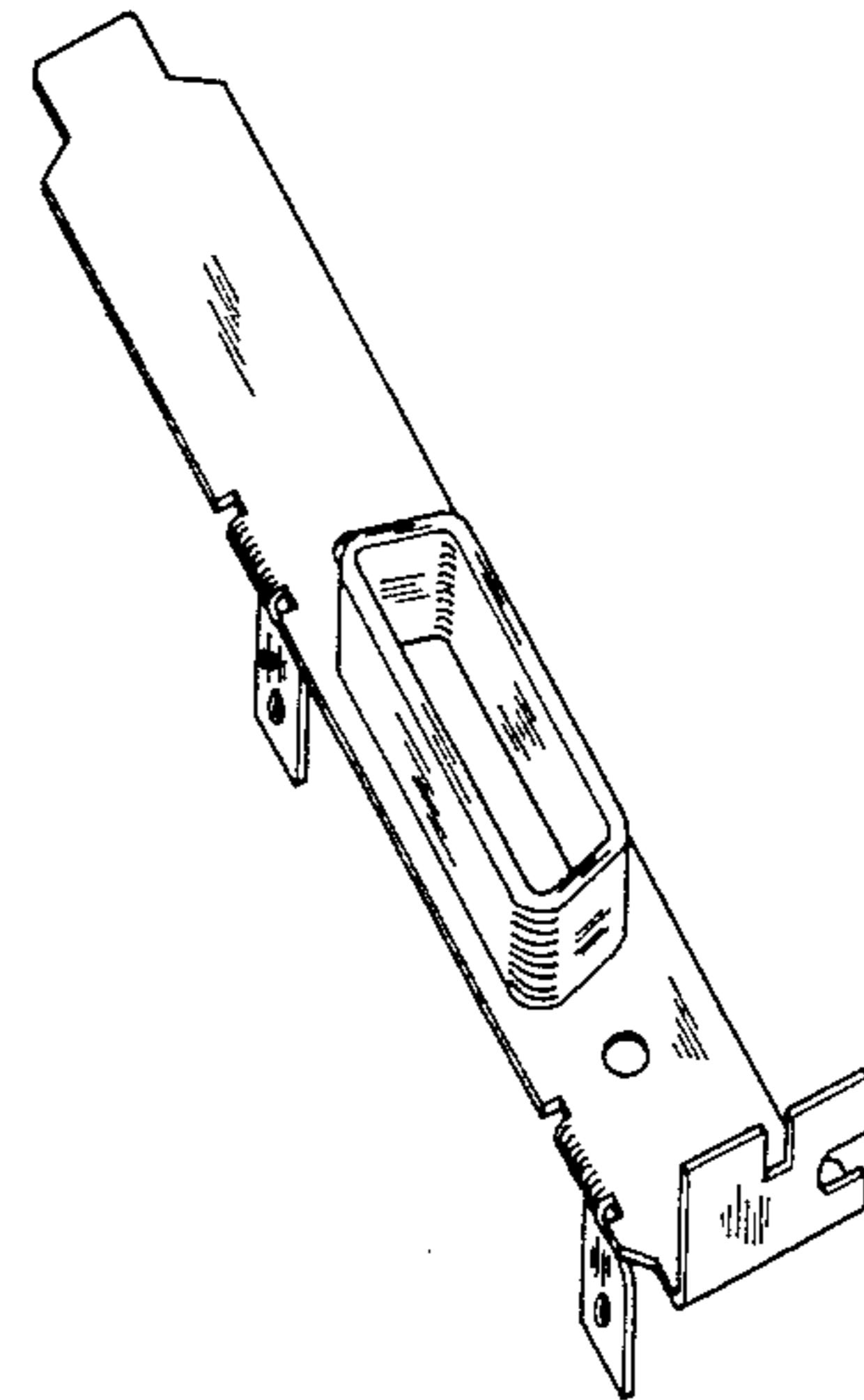
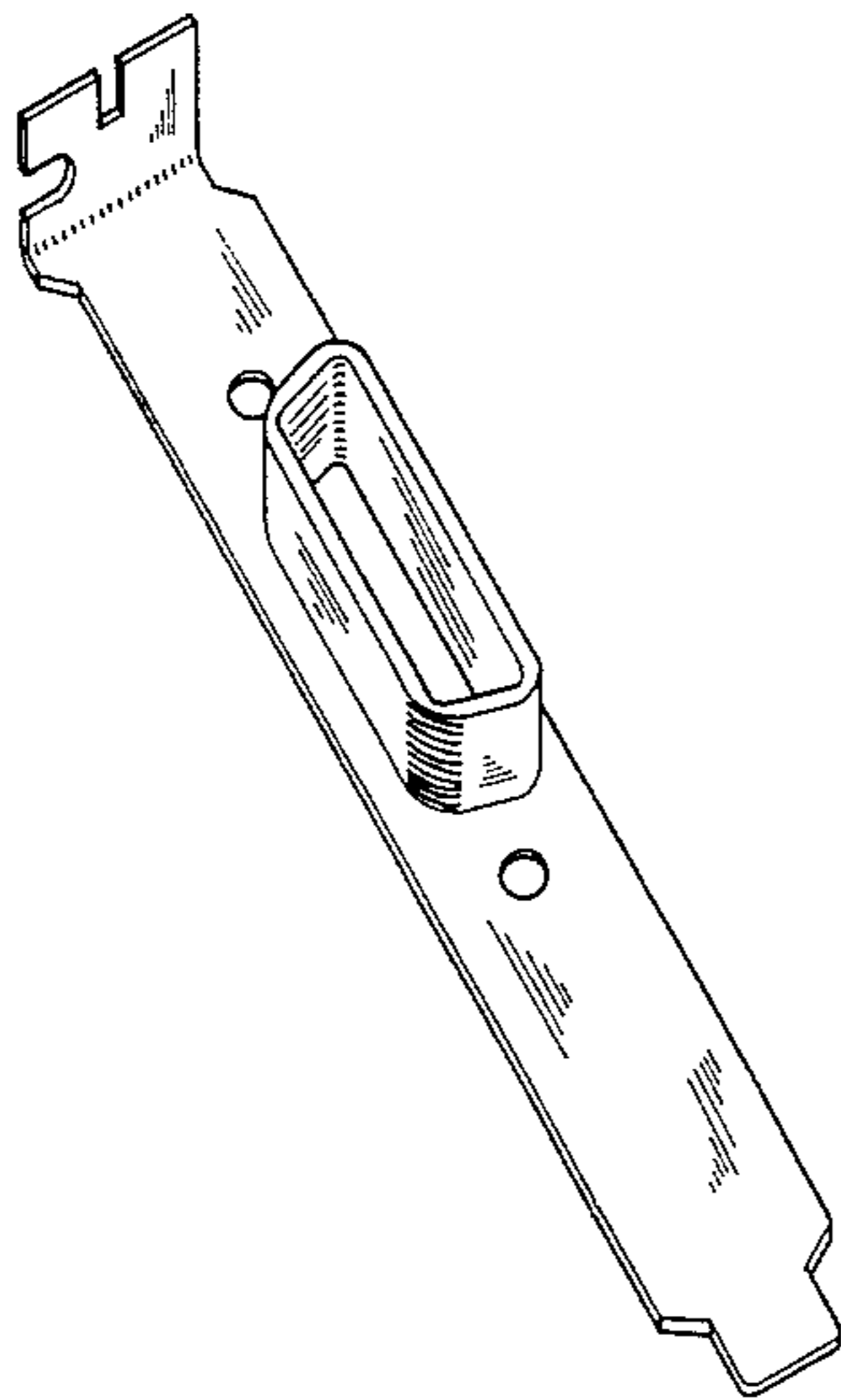
Primary Examiner—B. J. Bullock
Attorney, Agent, or Firm—Daniel C. McKown

[57] CLAIM

The ornamental design for a bracket for electronic equipment, substantially as shown and described.

DESCRIPTION

FIG. 1 is a front perspective view of a bracket for electronic equipment showing my new design;
 FIG. 2 is a front elevational view thereof;
 FIG. 3 is a rear elevational view thereof;
 FIG. 4 is a left side elevational view thereof;
 FIG. 5 is a right side elevational view thereof;
 FIG. 6 is a bottom plan view thereof;
 FIG. 7 is a top plan view thereof;
 FIG. 8 is a front perspective view of a second embodiment of FIG. 1;
 FIG. 9 is a front elevational view of FIG. 8;
 FIG. 10 is a rear elevational view of FIG. 8;
 FIG. 11 is a left side elevational view of FIG. 8;
 FIG. 12 is a right side elevational view of FIG. 8;
 FIG. 13 is a bottom plan view of FIG. 8;
 FIG. 14 is a top plan view of FIG. 8.



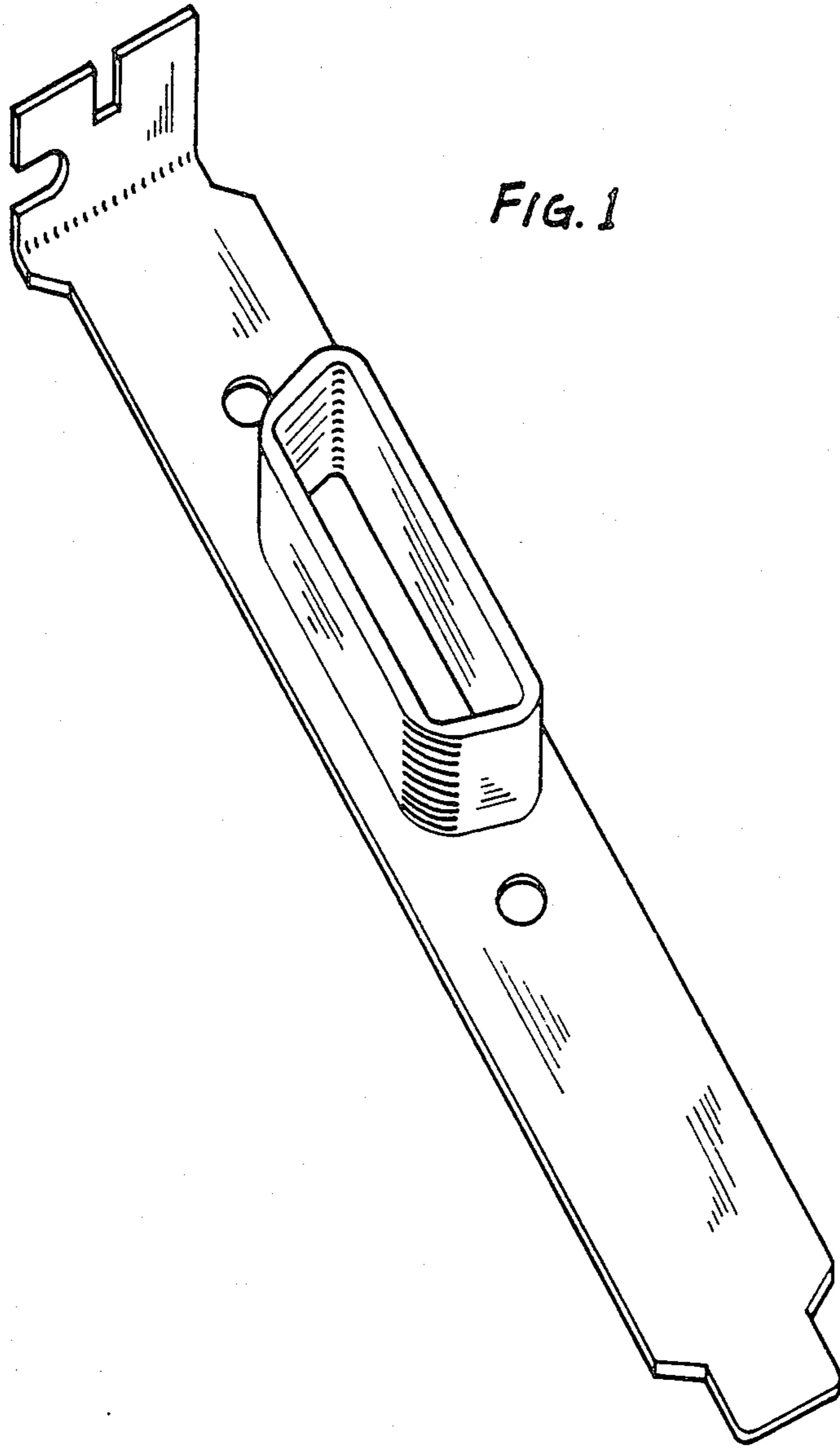


FIG. 1

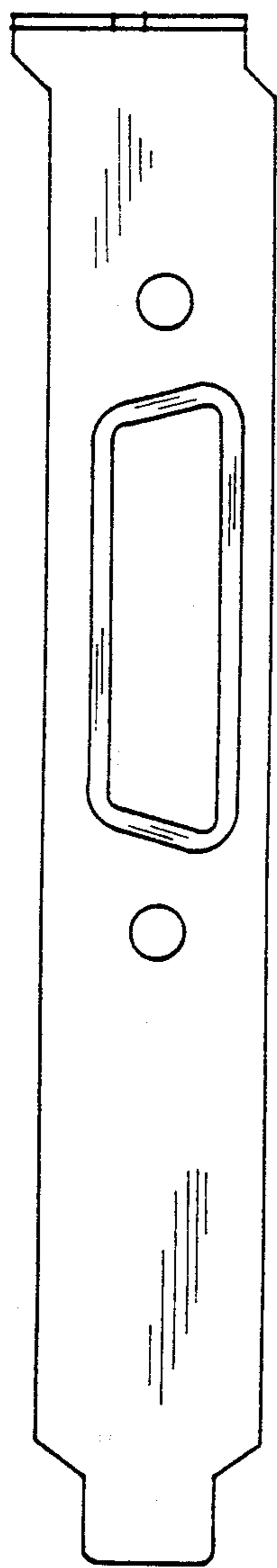


FIG. 2

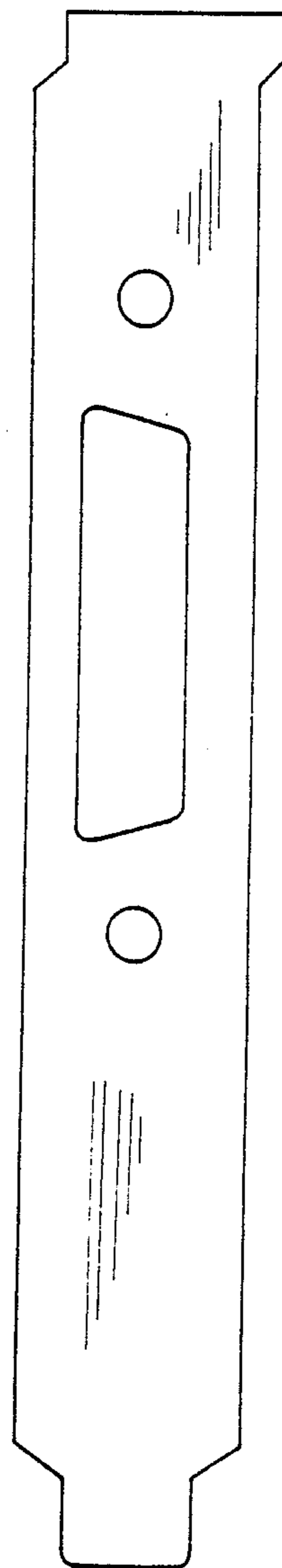


FIG. 3

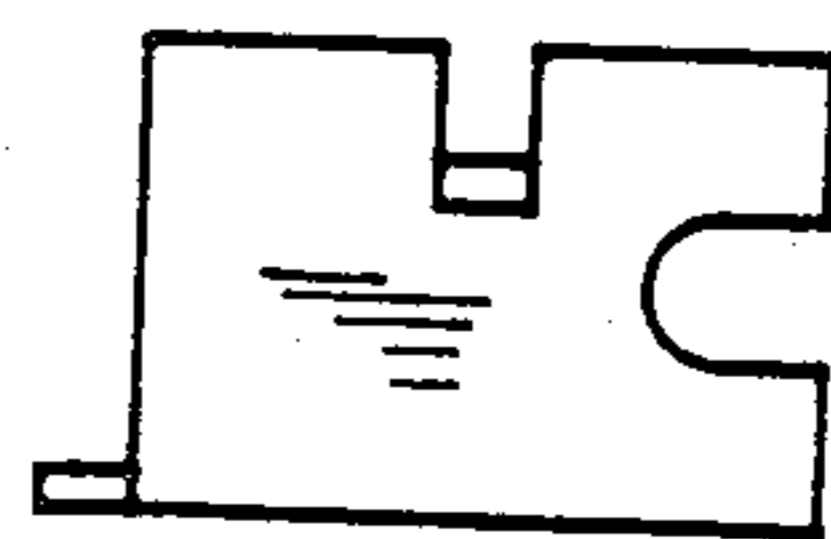
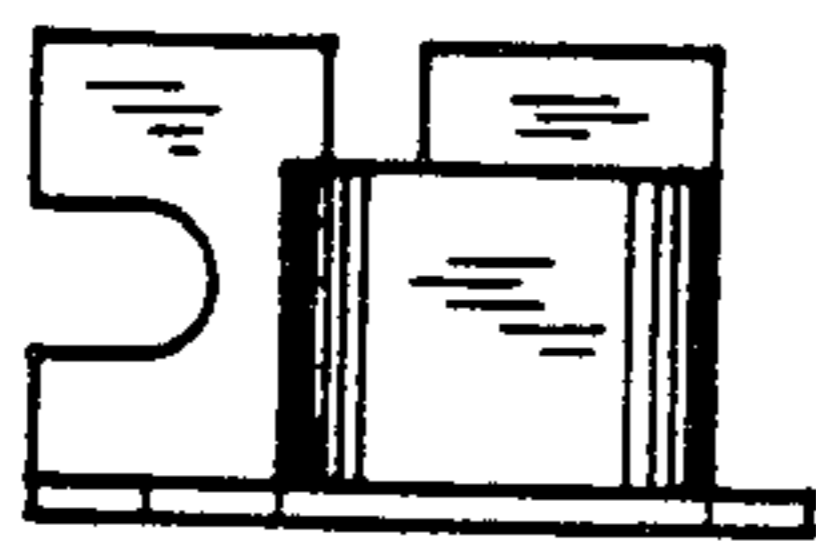
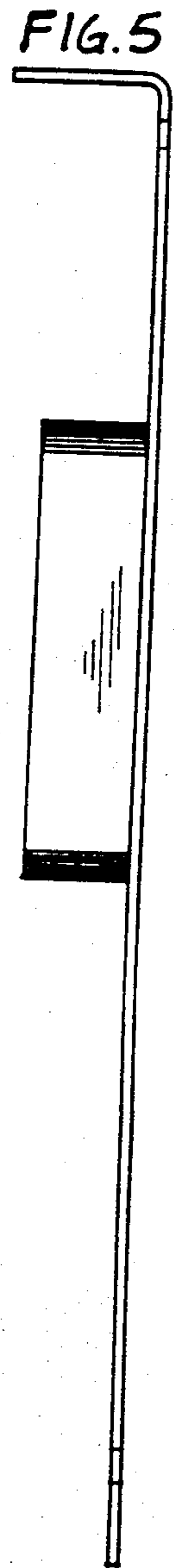
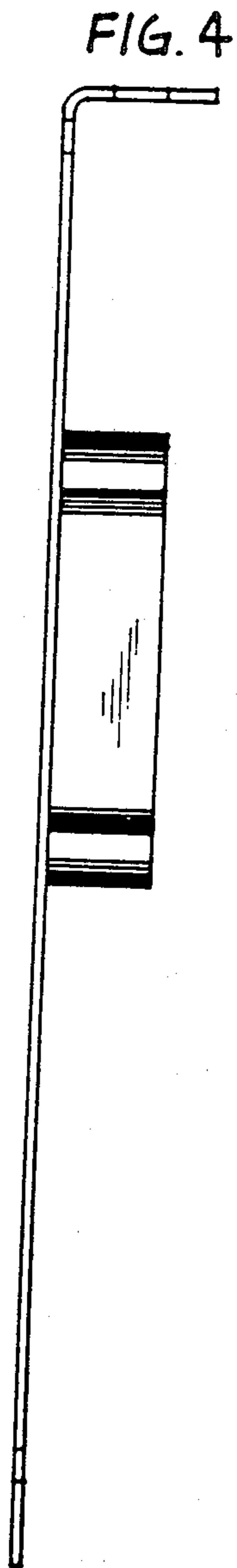
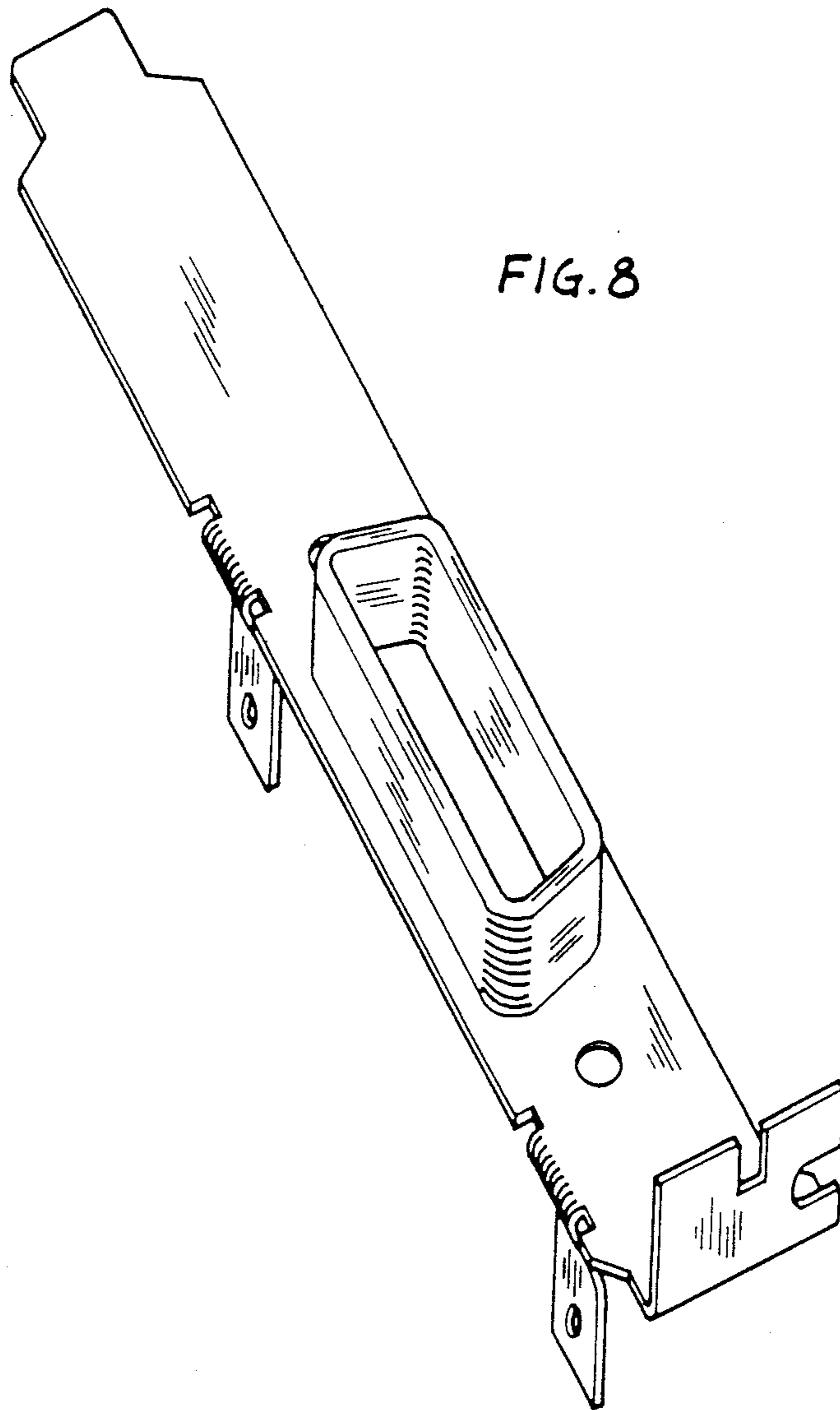


FIG. 6

FIG. 7



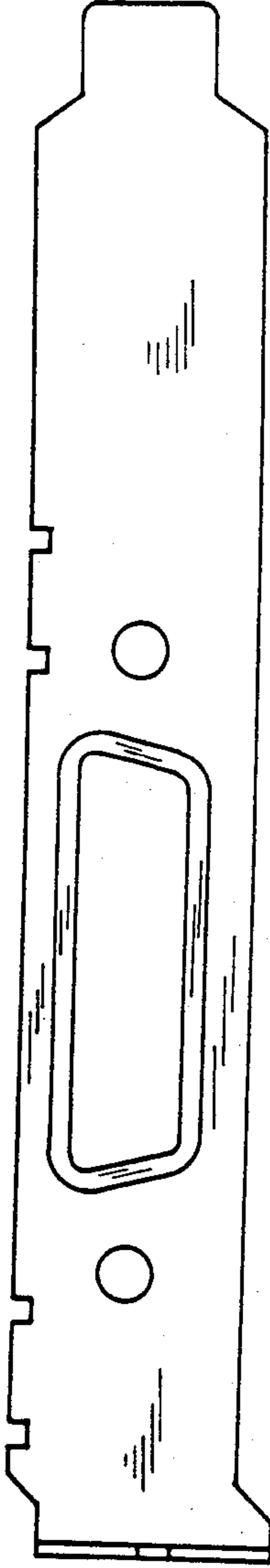


FIG. 9

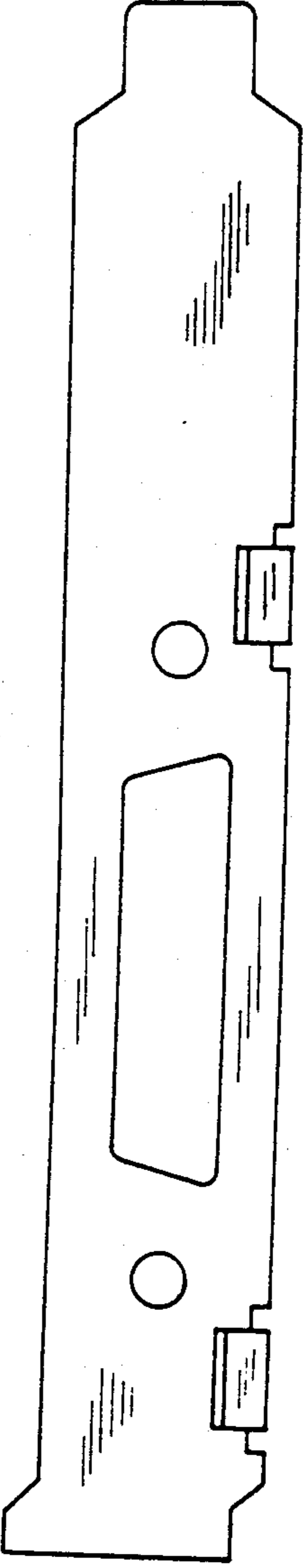


FIG. 10

FIG. 11

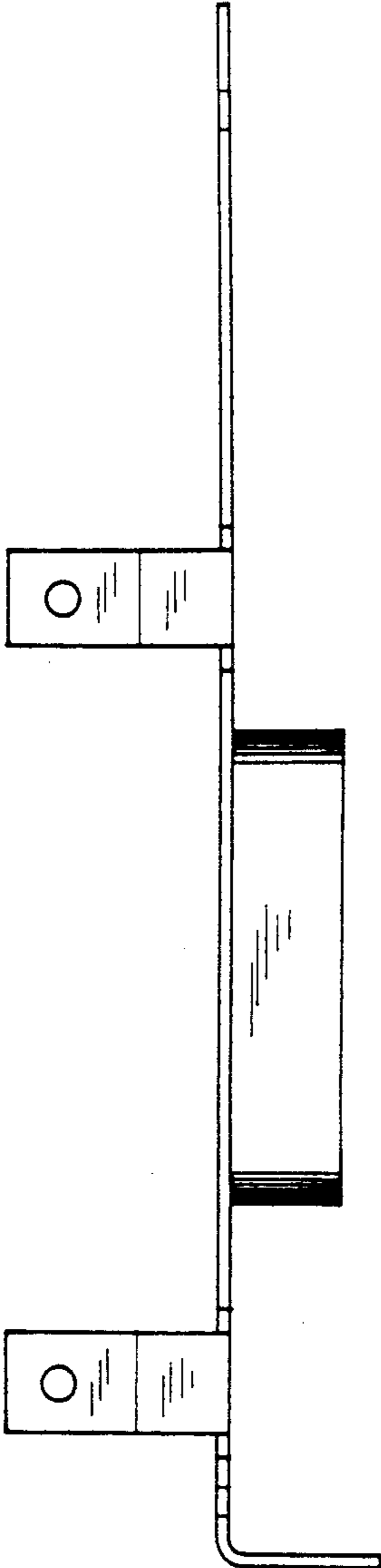


FIG. 12

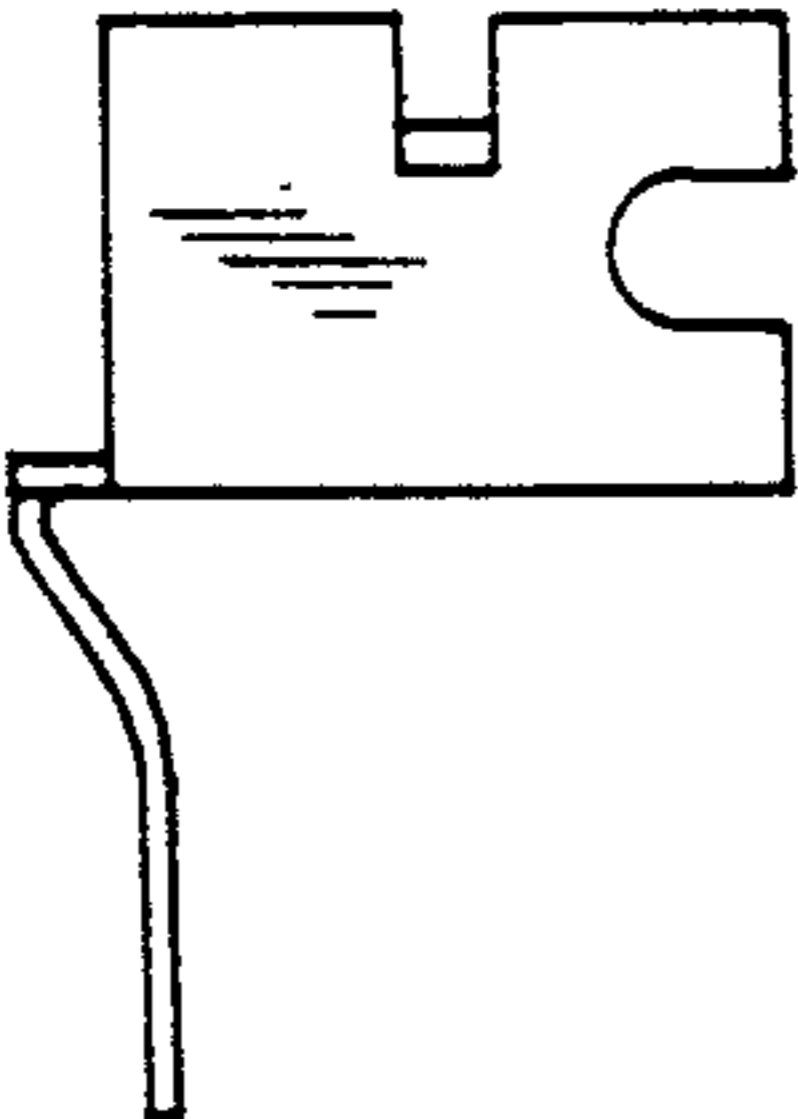
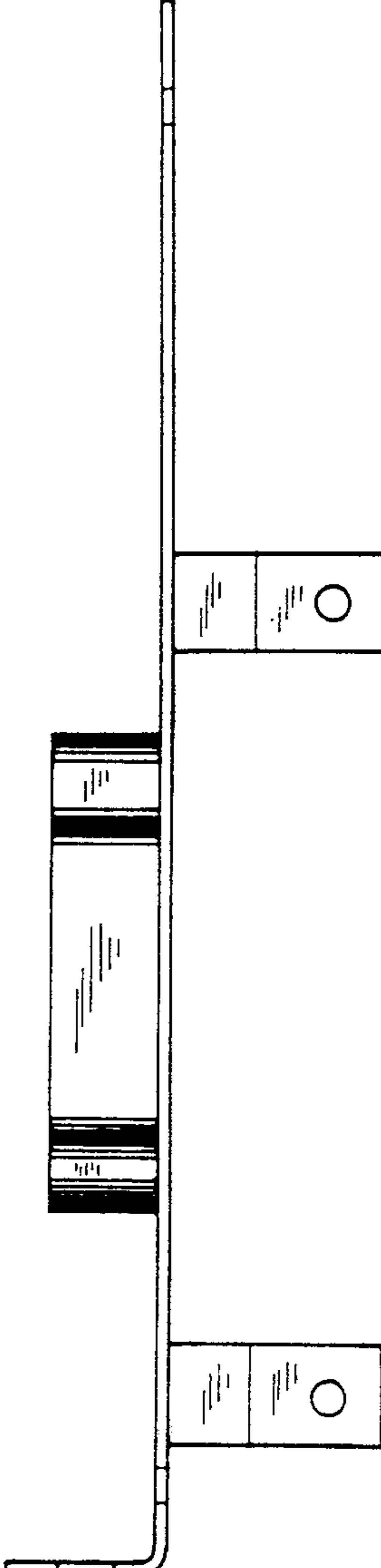


FIG. 13

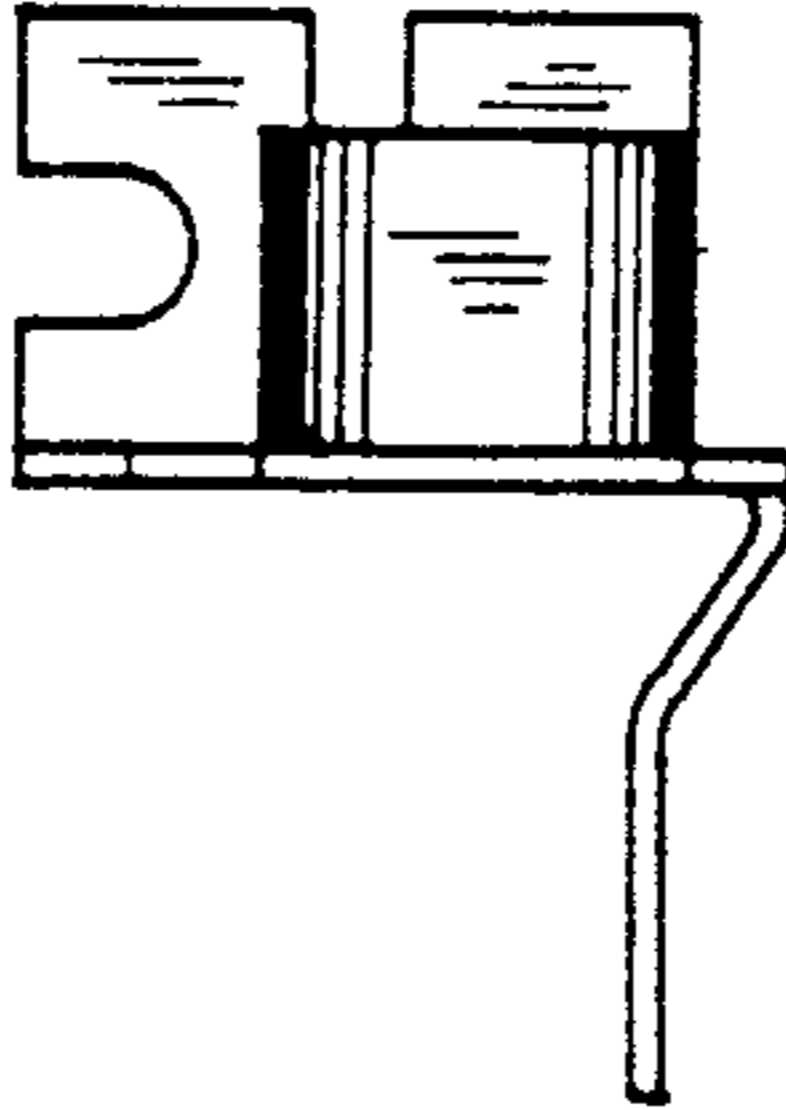


FIG. 14