

[54] ADJUSTABLE FRICTION HINGE
 [75] Inventor: Robert H. Bisbing, Springfield, Pa.
 [73] Assignee: Southco, Inc., Concordville, Pa.
 [**] Term: 14 Years
 [21] Appl. No.: 669,667
 [22] Filed: Nov. 8, 1984
 [52] U.S. Cl. D8/327; D8/328
 [58] Field of Search D8/323, 327-329;
 16/340, 386, 388, 389

1,830,885 11/1931 Purdy 16/340
 1,835,129 12/1931 Woernle 16/340
 4,490,884 1/1985 Vickers 16/386

Primary Examiner—B. J. Bullock
 Attorney, Agent, or Firm—Paul & Paul

[57] CLAIM

The ornamental design for an adjustable friction hinge, as shown.

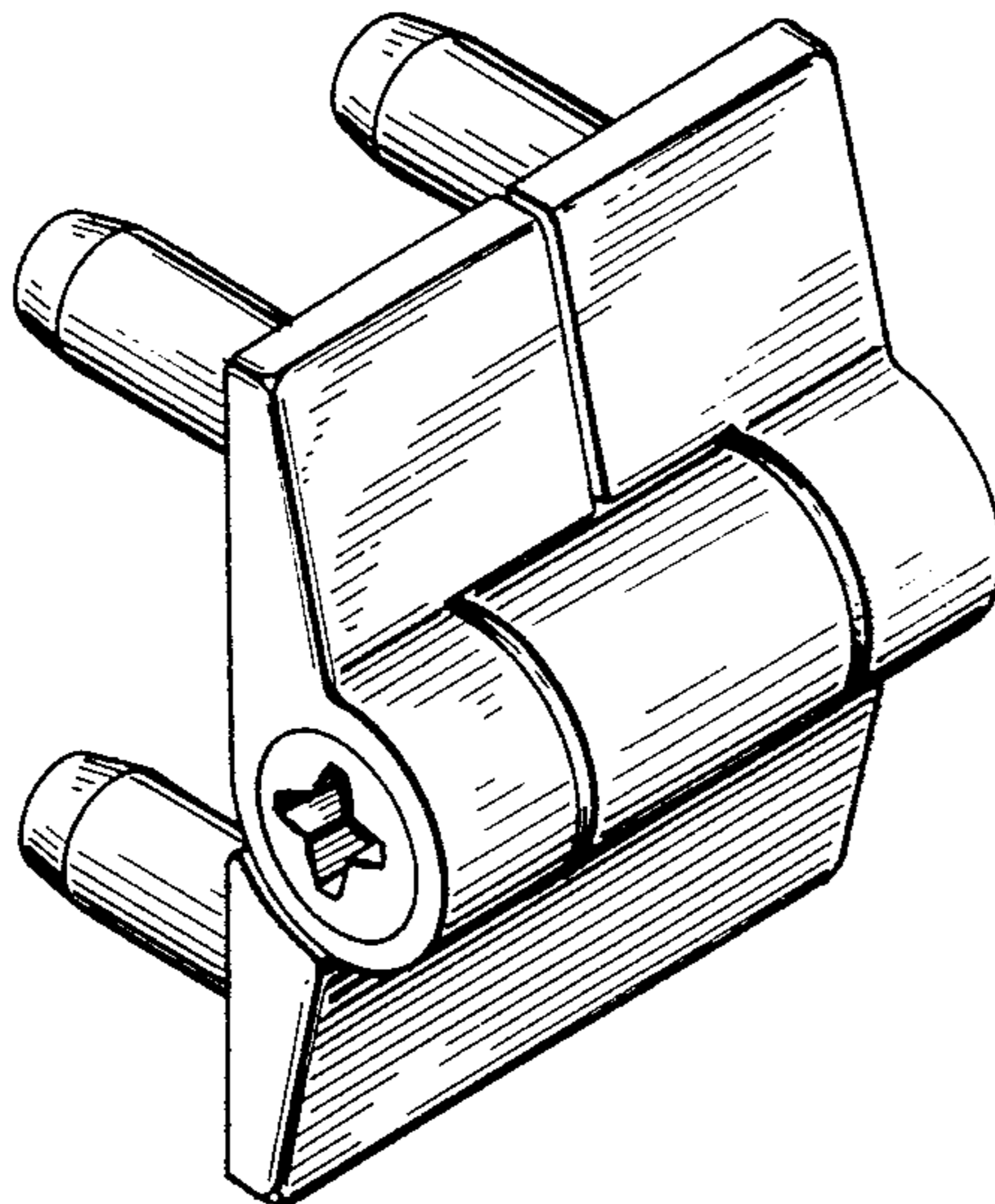
DESCRIPTION

FIG. 1 is a perspective view of the adjustable friction hinge embodying my new design;
 FIG. 2 is a top plan view thereof;
 FIG. 3 is a right side elevational view thereof;
 FIG. 4 is a front elevational view thereof;
 FIG. 5 is a bottom view thereof.

[56] References Cited

U.S. PATENT DOCUMENTS

D. 204,129 3/1966 Kirby D8/328
 D. 279,255 6/1985 Roy D8/327



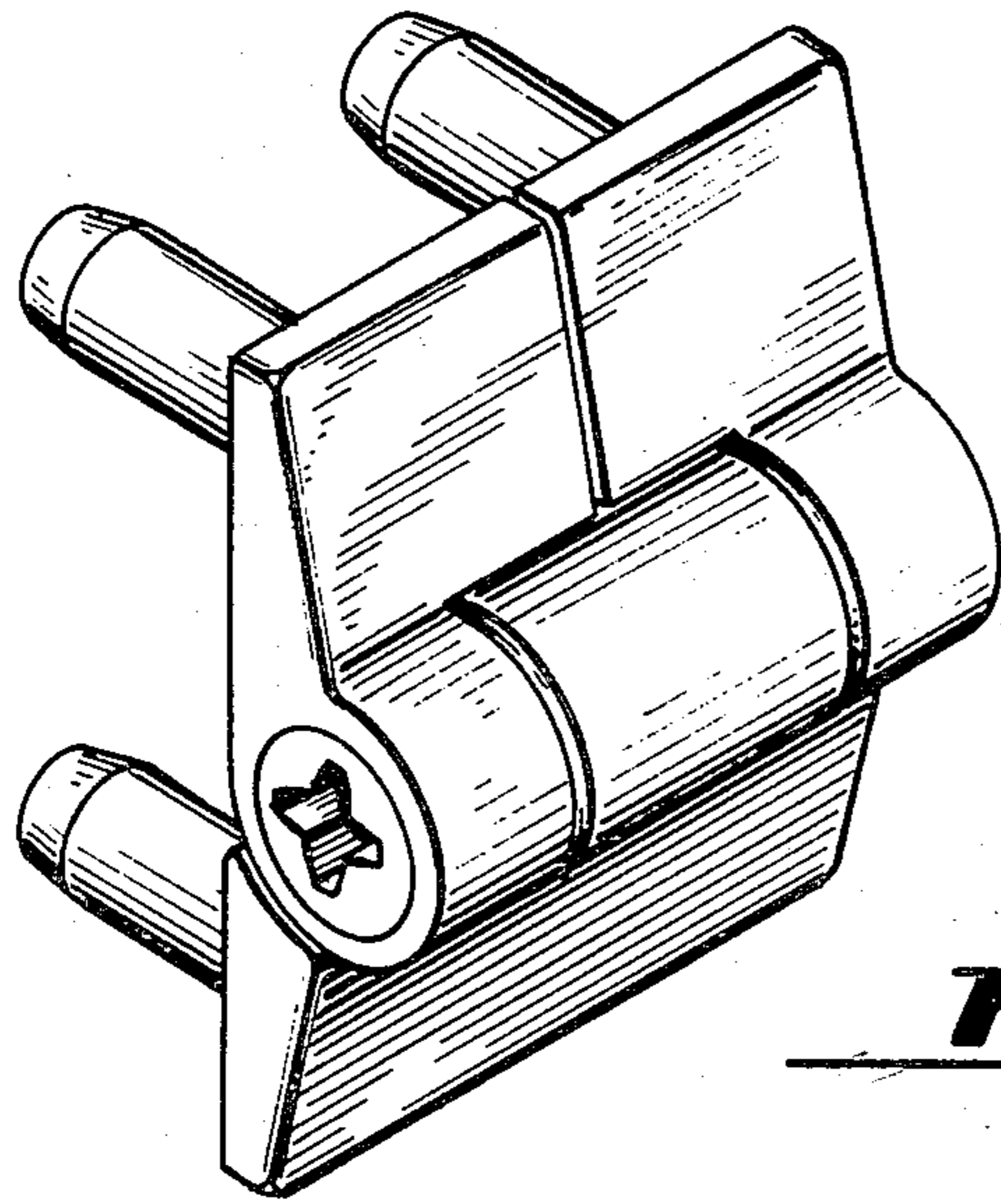


Fig. 1

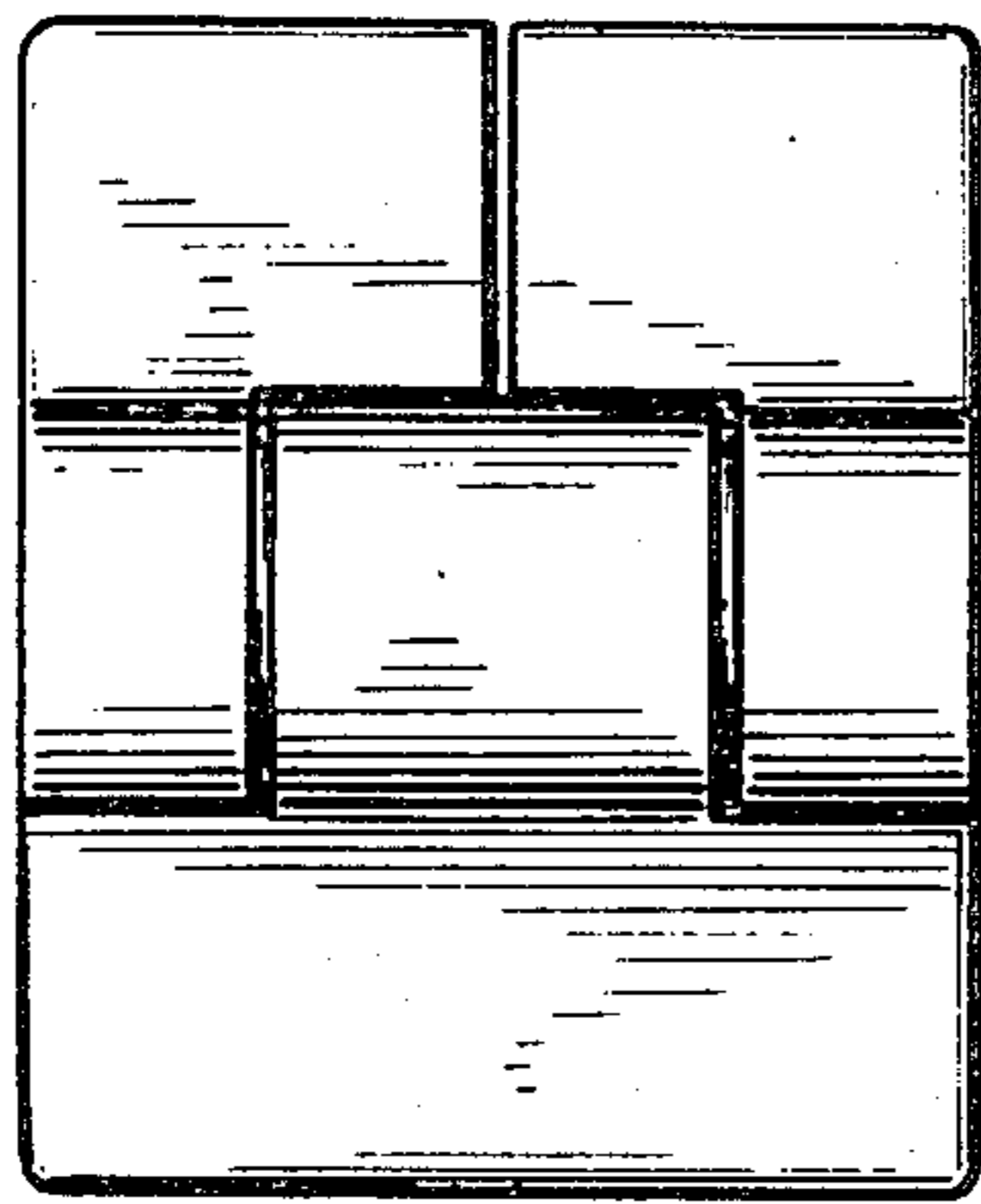


Fig. 2

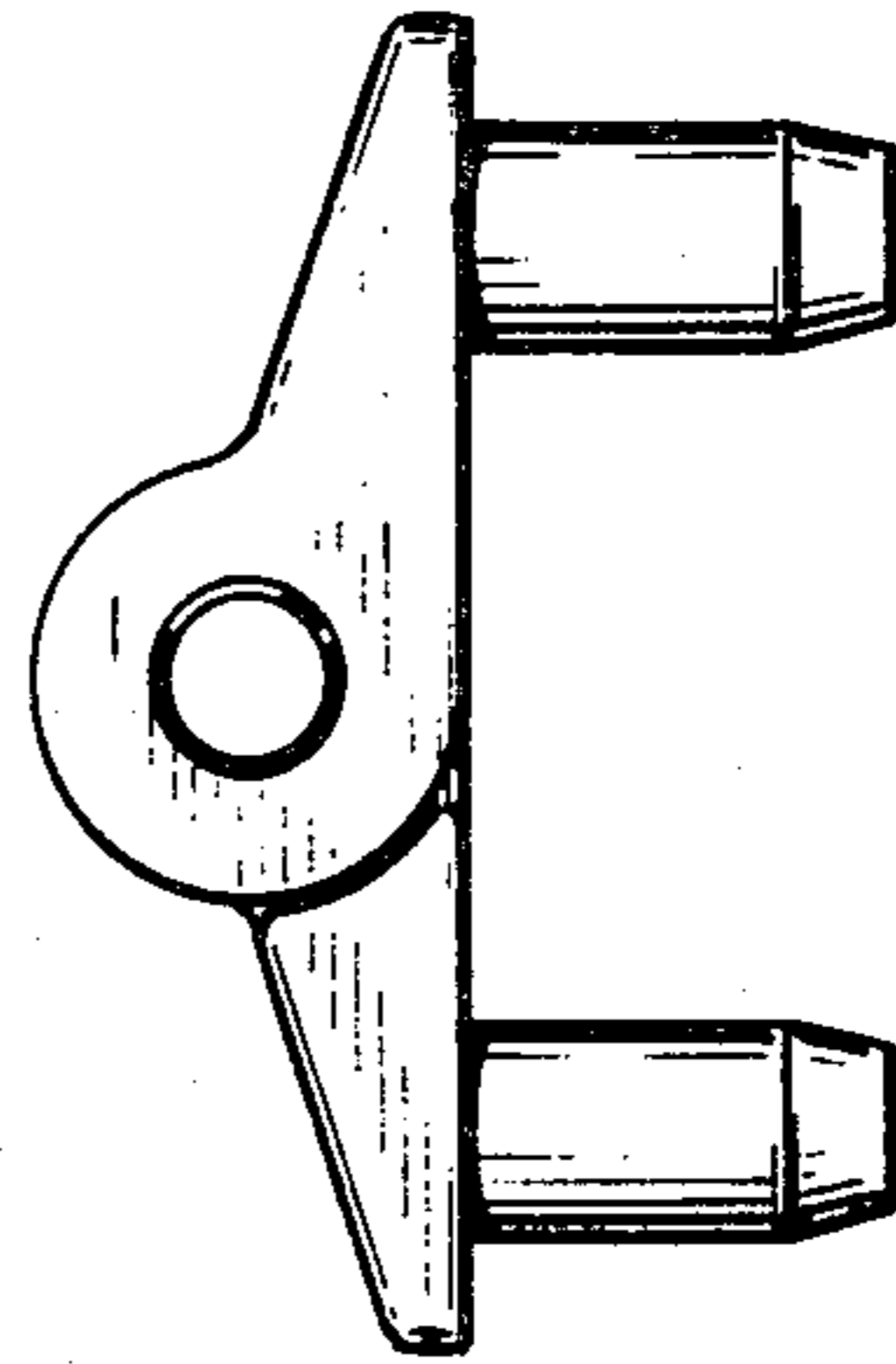


Fig. 3

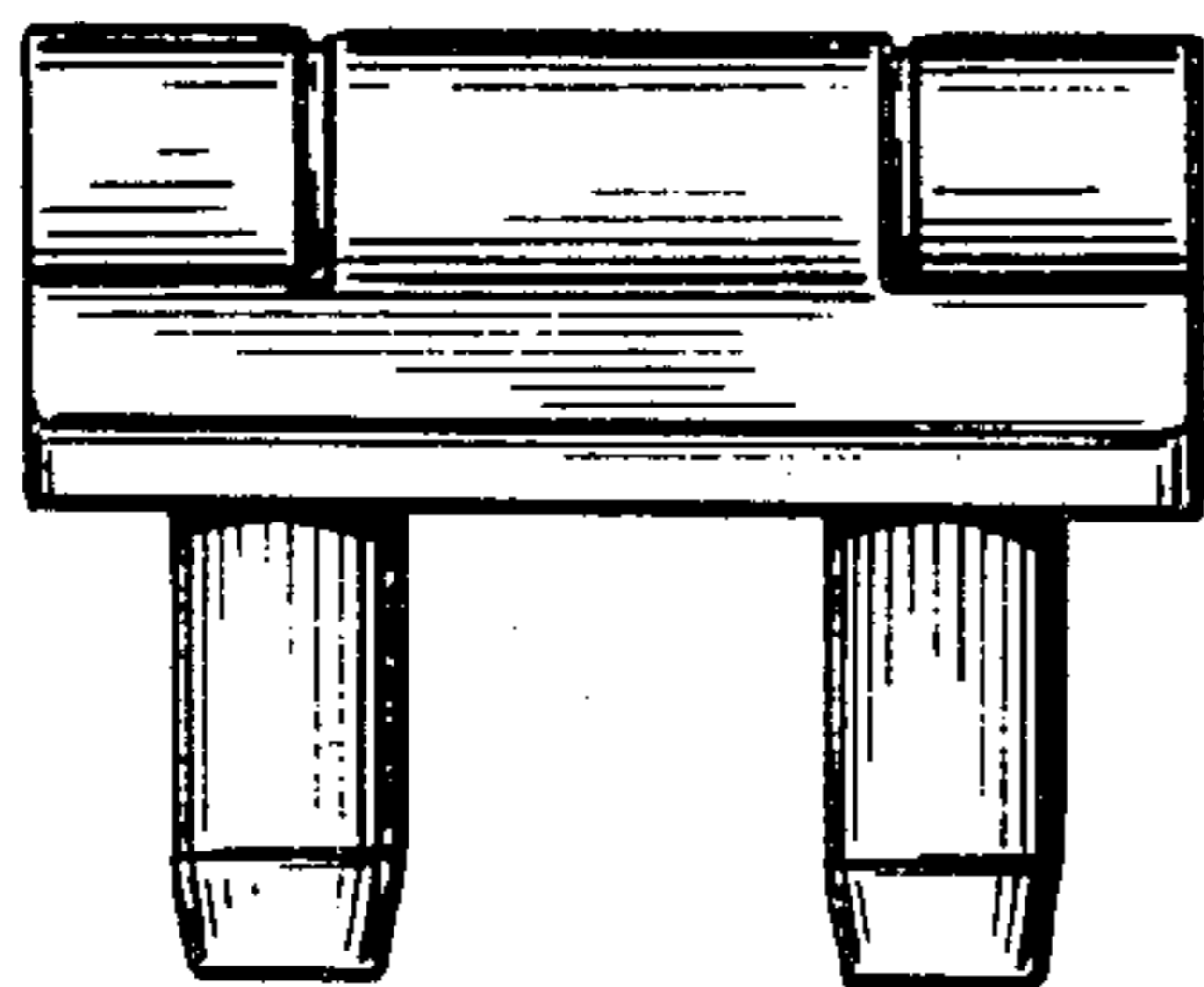


Fig. 4

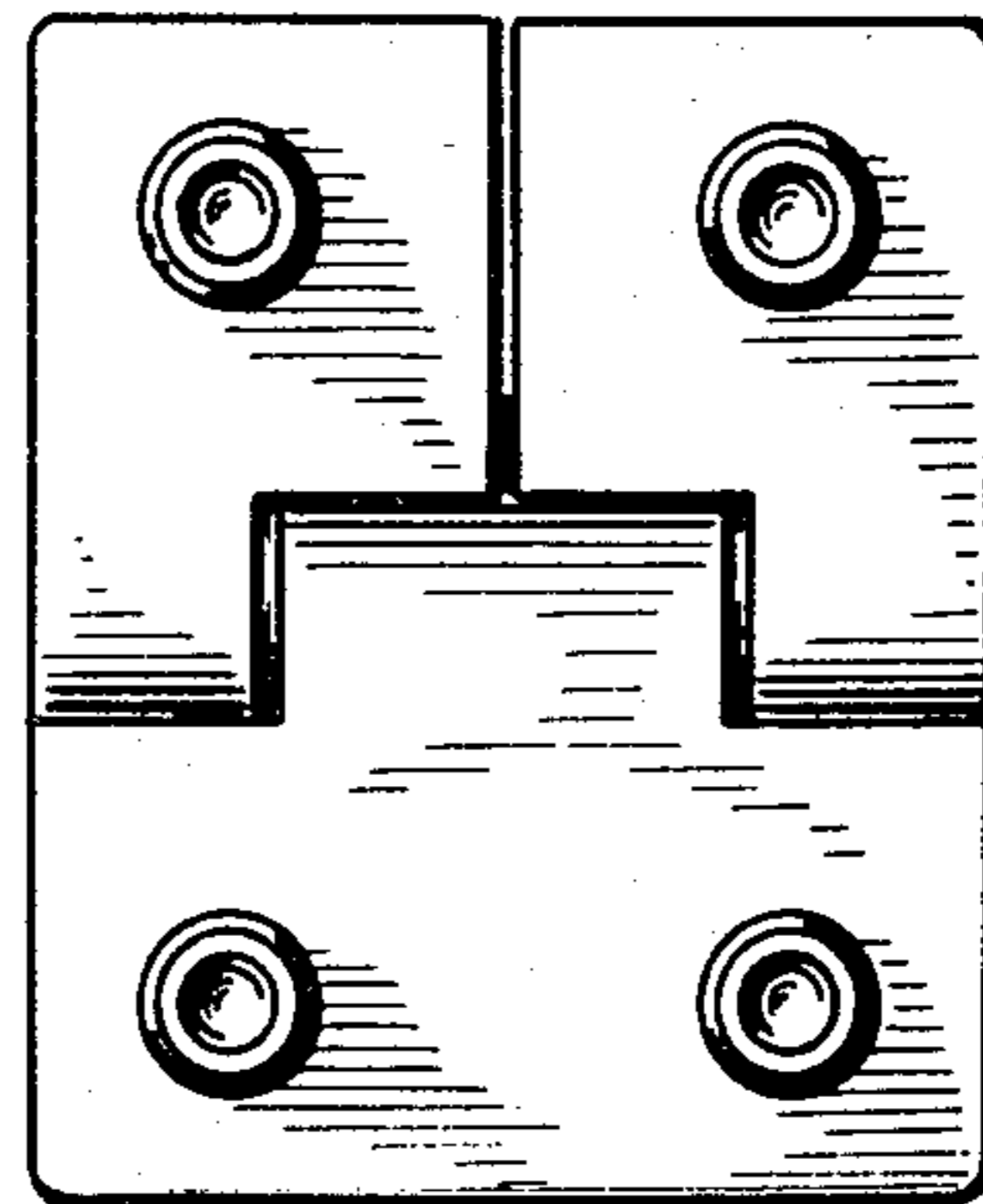


Fig. 5