

[54] OUTDOOR BARBECUE COOKER

3,785,275 1/1974 Keats et al. 99/446
4,332,188 6/1982 Rhear 99/446

[75] Inventors: Erich J. Schlosser, Lindenhurst;
James C. Stephen, Arlington
Heights, both of Ill.

OTHER PUBLICATIONS

Best Catalog, Sep. 1982, p. 369, Weber Grill.
Housewares, vol. 176, Jan. 1979, p. 87, Weber Grill.

[73] Assignee: Weber-Stephen Products Co.,
Palatine, Ill.

Primary Examiner—Catherine E. Kemper
Assistant Examiner—Ruth E. Takemoto
Attorney, Agent, or Firm—Robert E. Wagner; Ralph R.
Rath

[**] Term: 14 Years

[21] Appl. No.: 639,918

[57] CLAIM

[22] Filed: Aug. 10, 1984

The ornamental design for an outdoor barbecue cooker,
as shown and described.

[52] U.S. Cl. D7/332

[58] Field of Search D7/323, 327, 331-348,
D7/352-355, 357-359, 361-362, 364, 387-388,
402-403, 405-406, 408-409; D32/82; 312/236;
219/386; 99/386, 401, 419, 421-427, 443-450;
126/4, 19 R, 27-28, 25 A, 25 AA, 25 B, 25 C,
25 R, 29-30, 9 A-9 B, 9 R

DESCRIPTION

FIG. 1 is a perspective view of an outdoor barbecue
cooker showing my new design;
FIG. 2 is a side elevational view thereof;
FIG. 3 is a side elevational view thereof as viewed
along line 3-3 of FIG. 2;
FIG. 4 is a top plan view thereof as viewed along line
4-4 of FIG. 2; and
FIG. 5 is a bottom plan view thereof.

[56] References Cited

U.S. PATENT DOCUMENTS

3,330,266 7/1967 Stephen D7/334

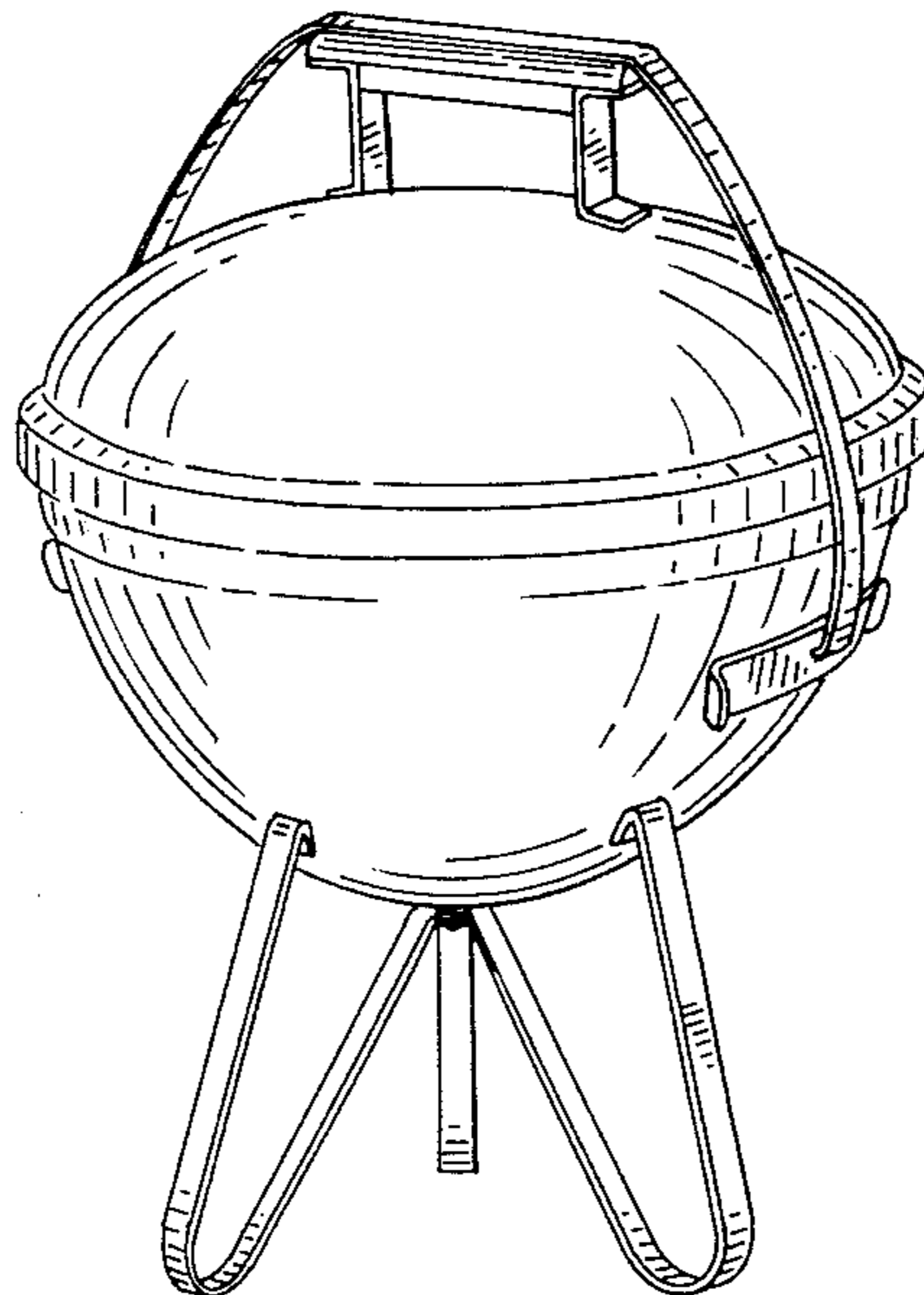


FIG. 1

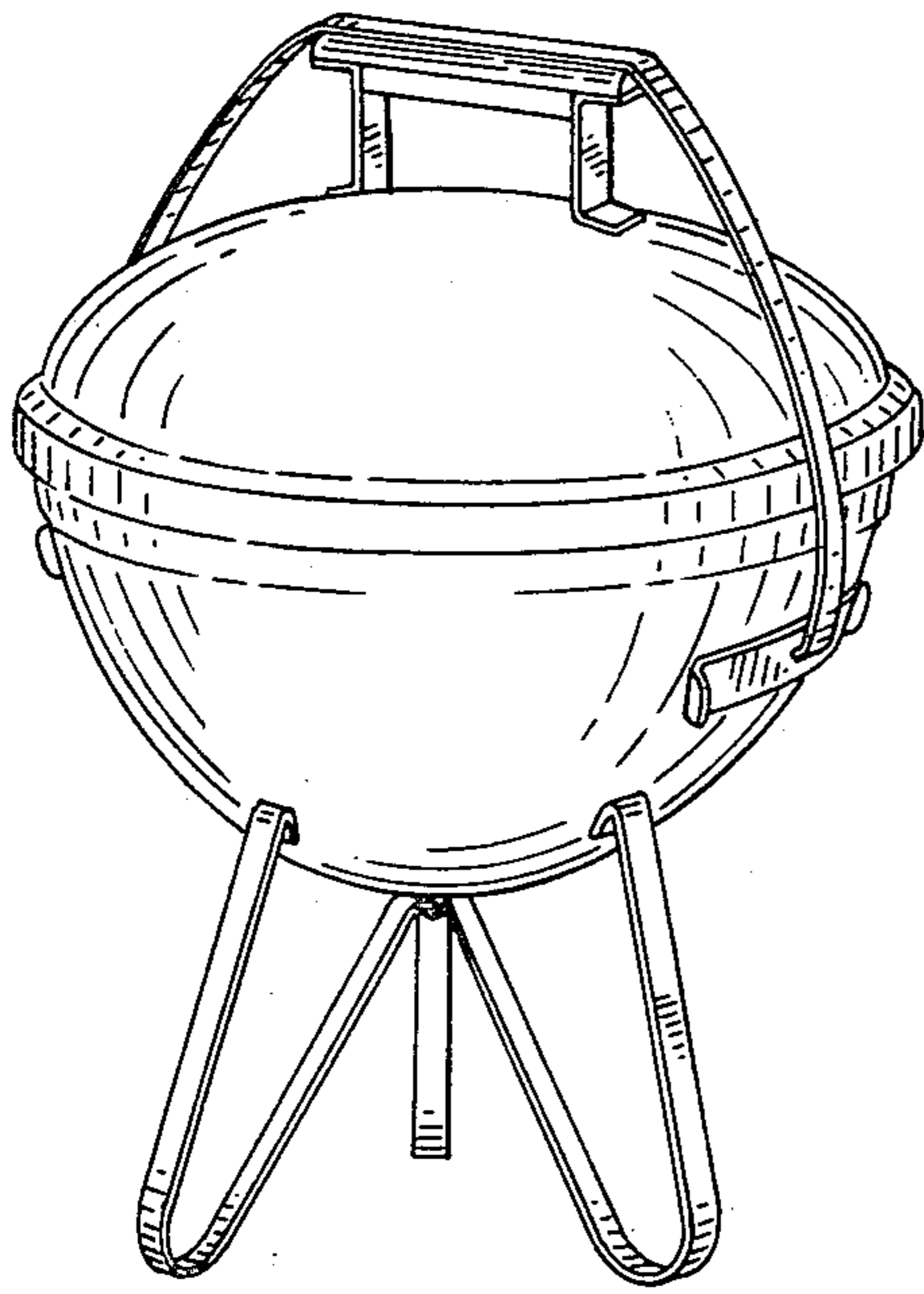


FIG. 2

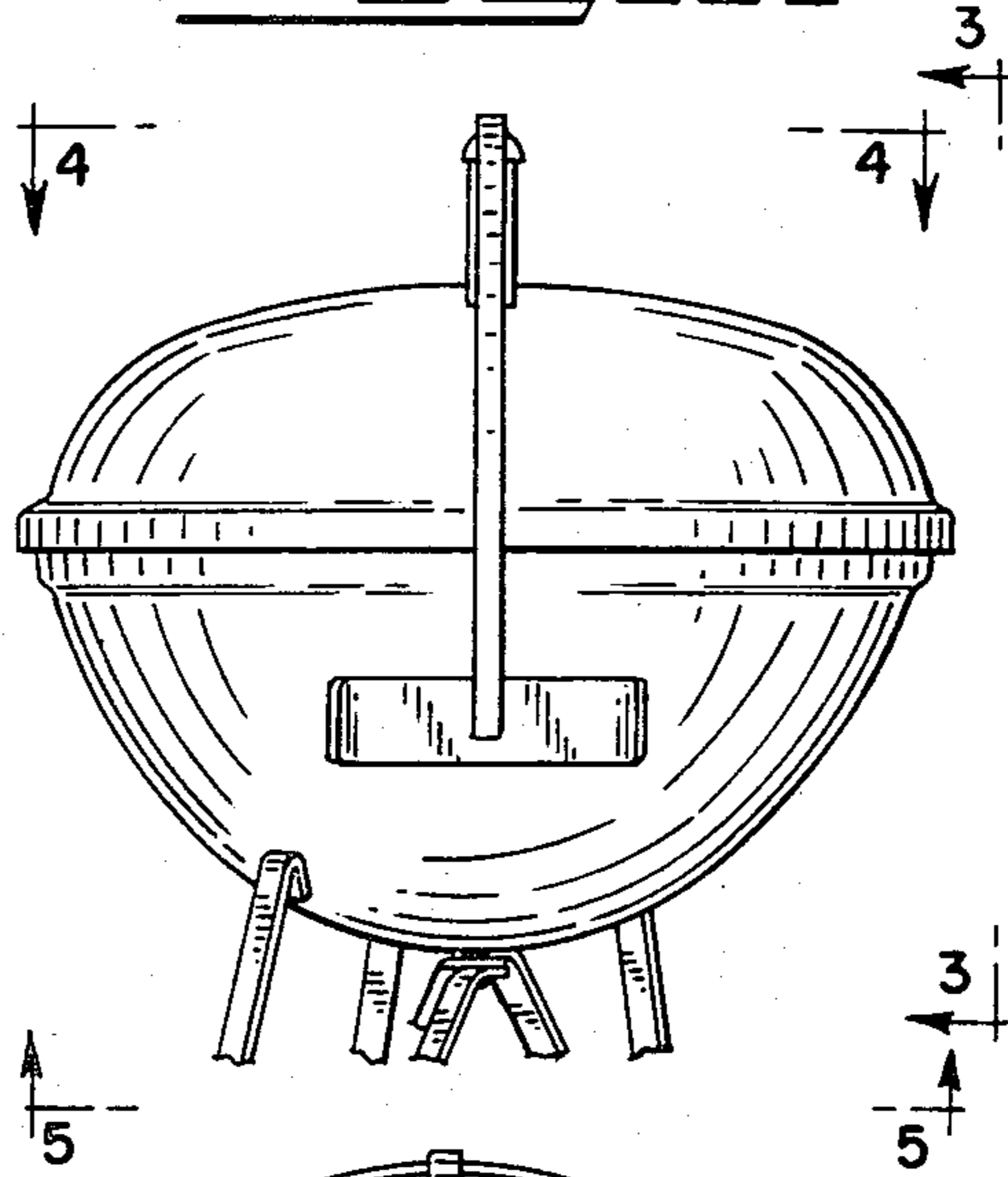


FIG. 5

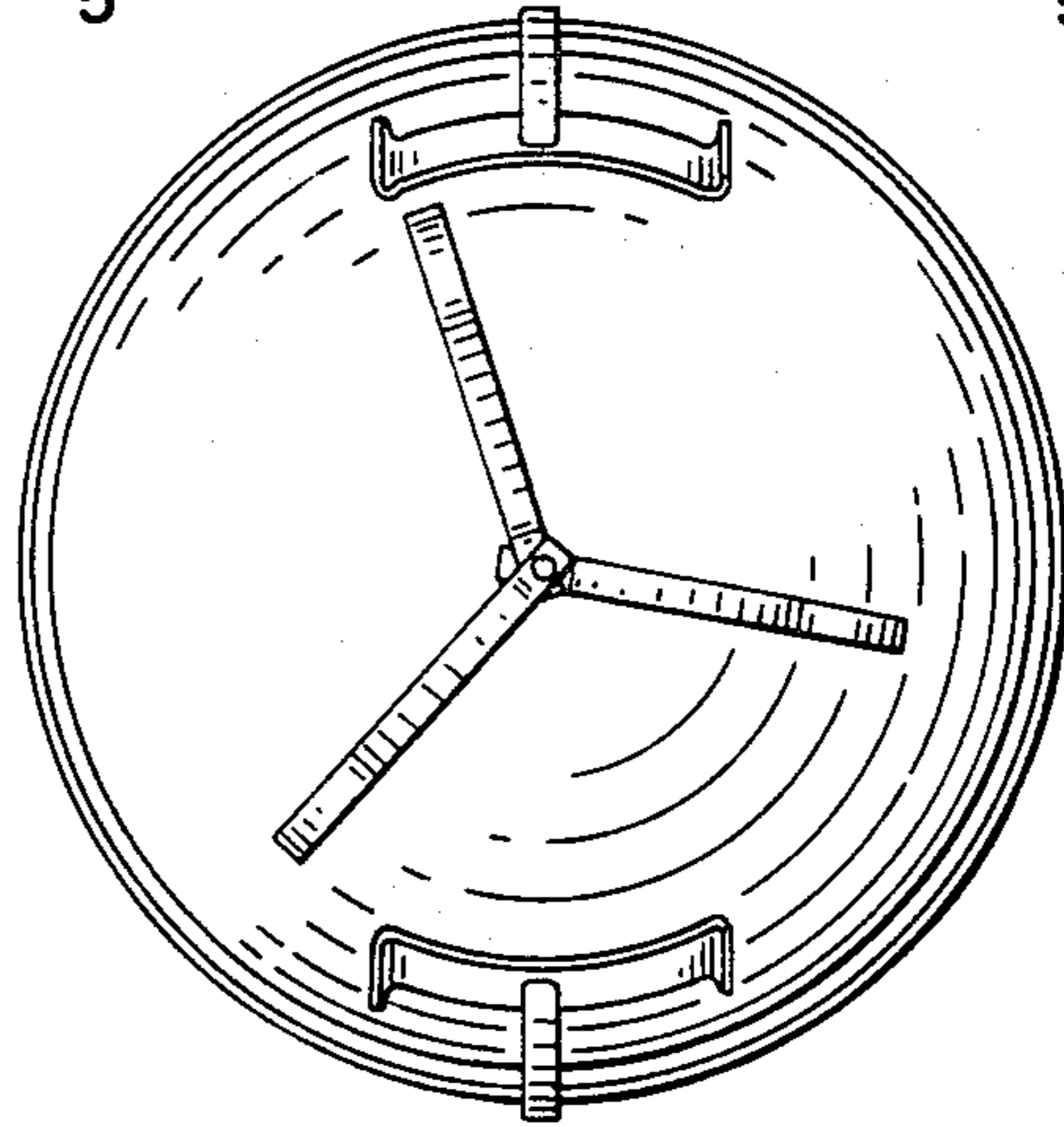


FIG. 3

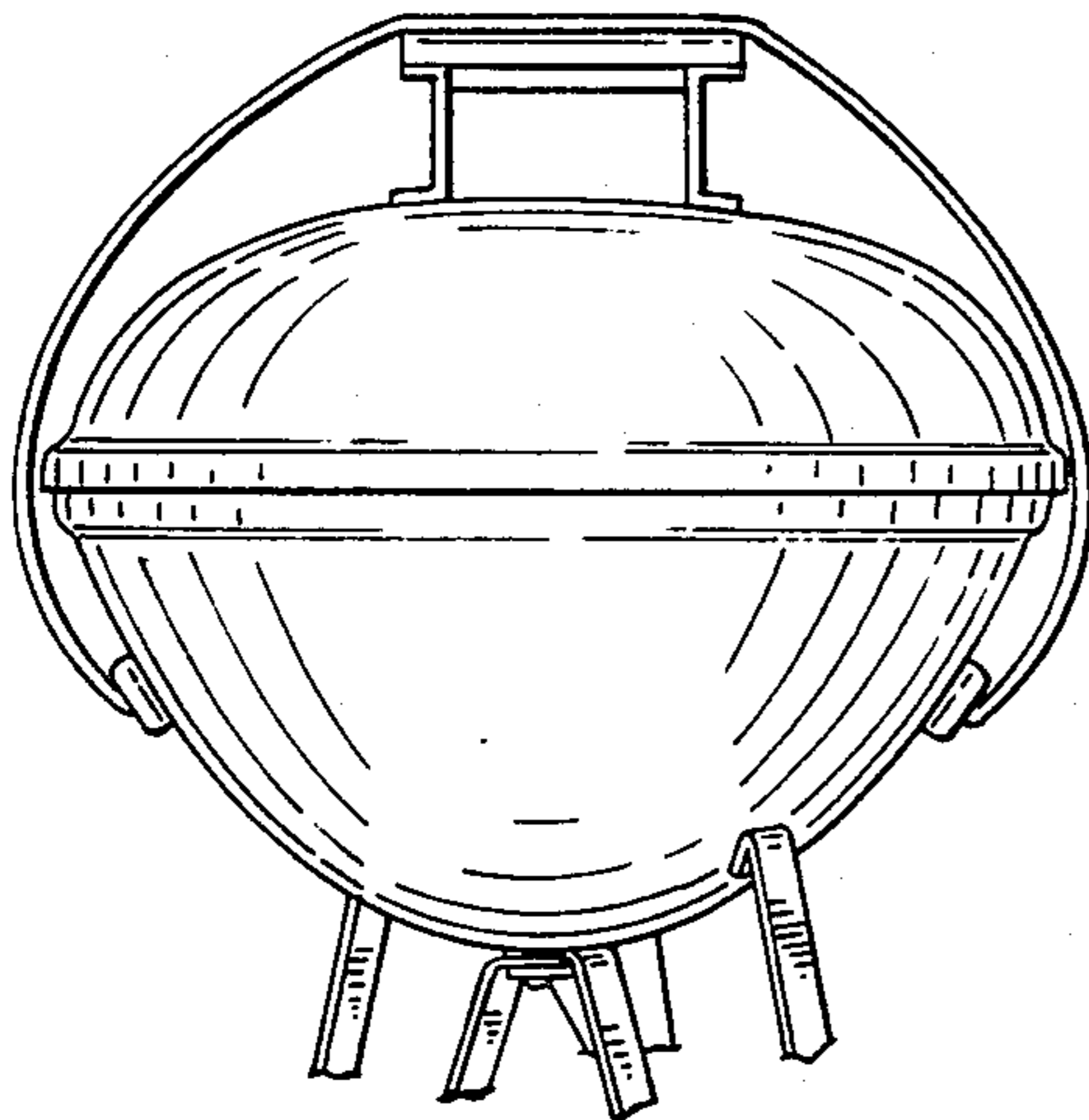


FIG. 4

